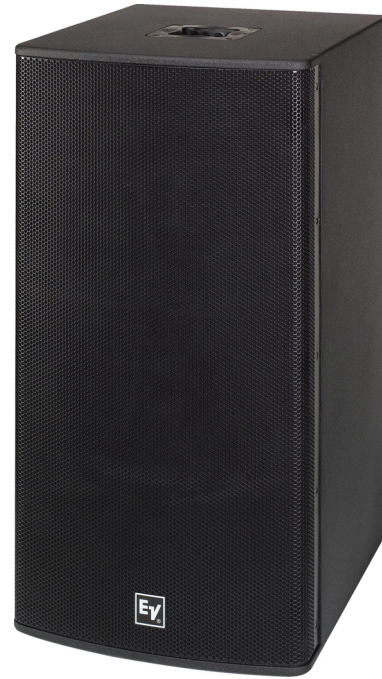




Key Features:

- 800W Dynamic Output Power
- Compact, Ergonomic Size for Easy Transportation
- EVX-180B, Direct Radiating 18" Woofer
- Built-in Crossover
- LPN-Filter to Compensate LF Transient Distortion for Full Extended Bass Response
- Integrated Heavy-Duty Casters
- Linear Response, Fail-Safe Operation
- Voice Coil Tracking Protection



General Description:

The Electro-Voice® Plasma P2 is a new generation of hi-power compact subwoofers. Designed for EV's Plasma P1 speakers, it's an ideal system extension for Plasma P1 powered speakers.

A class H amplifier requires no fans for quiet operation, low maintenance, and long-term reliability. Coupled with signal processing for linear acoustic response, and unobtrusive protection it delivers the power required for high-level reinforcement. Dynamic linearity is another benefit of amplifiers designed for system integration with large format transducer motors.

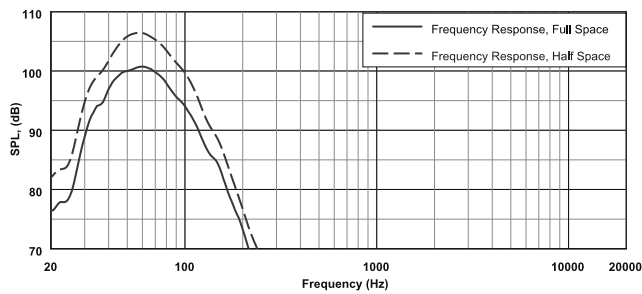
The Patented LPN (Low-Pass-Notch) filter compensates for transient distortion of dynamic signals and allows, the Plasma P2 to achieve a higher acoustic output than expected from a compact cabinet.

P1's applications are for where the highest quality sound is required; Theater, A/V, Stage monitoring, Sound reinforcement.

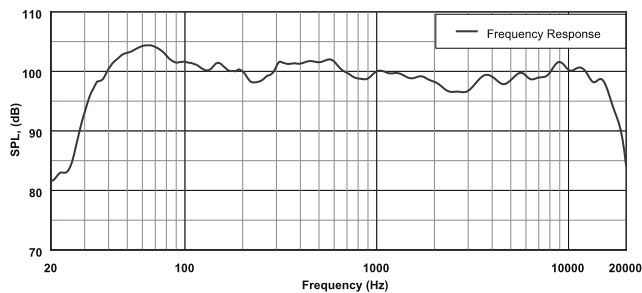
Technical Specifications:

Freq. Response (-3 dB):	40 Hz - 100 Hz
Freq. Range (-10 dB):	30 Hz - 110 Hz
Calculated Max SPL:	132 dB
Amplifier Design:	Class H
THD:	< 0.05%
Input Impedance:	20K Ω
Amplifier Power:	550 W RMS (800W Peak)
Low-Pass Crossover:	100 Hz
Level Control:	- ∞ to +6 dB
Input Sensitivity:	+6 dB for full output
Transducer:	18" (460 mm) EVX180B
Connectors:	
Balanced Line Inputs:	XLR and ¼" phone Combination
Balanced Output:	XLR
Power Requirement:	100, 120, 230, or 240 VAC, 50-60Hz
Enclosure Material:	13-ply Birch Plywood
Cabinet Finish:	Futura
Grille:	Powder Coated Steel with Cloth
Hardware Included:	Castors; Pole Mounting Flange
Dim (H x W x D):	35.8" x 18.8" x 23.6" (910 x 476 x 600 mm)
Net Weight:	140 lbs (63.6 kg)
Shipping Weight:	150 lbs (68.1 kg)

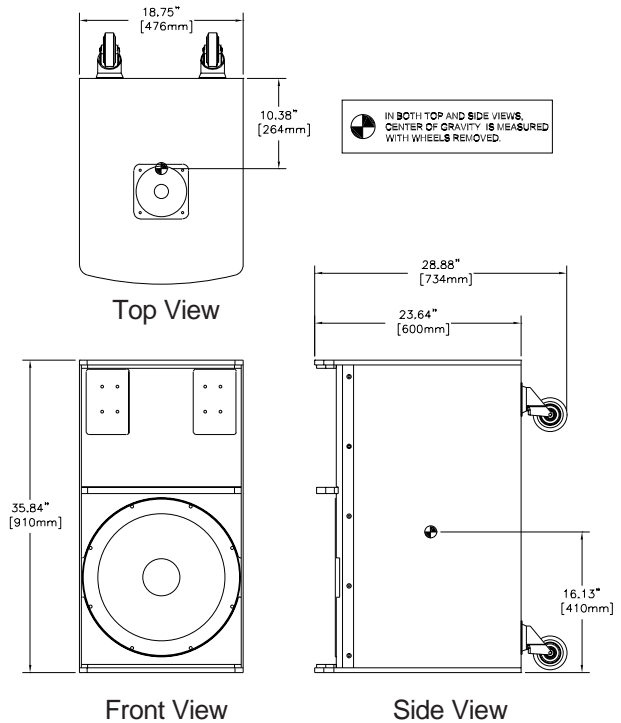
Frequency Response:



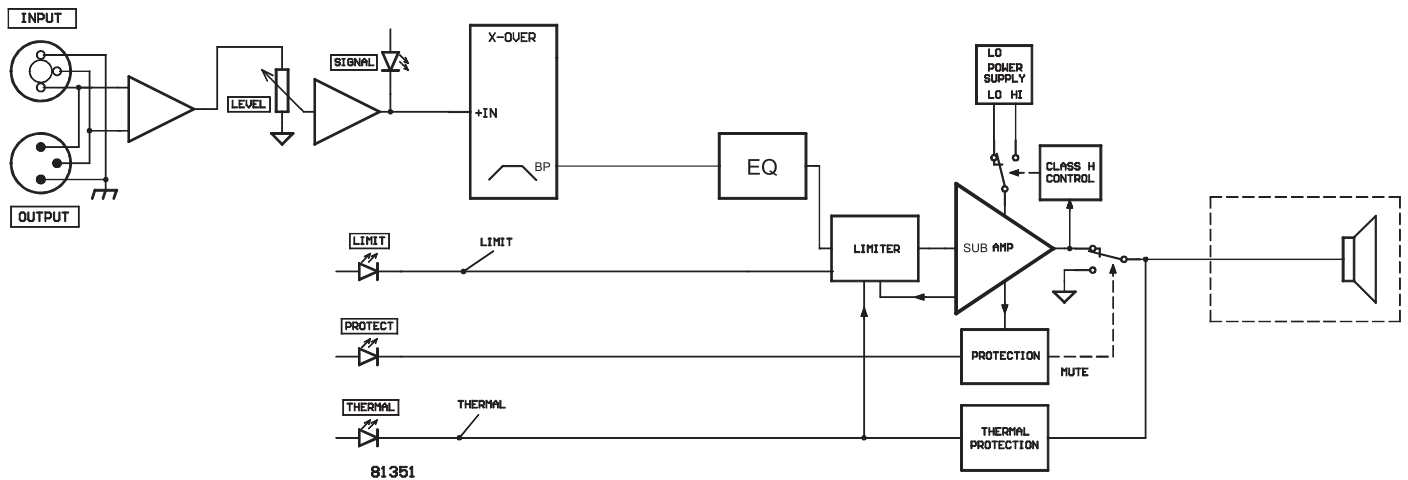
Frequency Response, Plasma P1 & P2 (Combined):



Dimension Drawing:



Block Diagram:



Plasma P2 Part Numbers

- 301506-001 - 120V
- 170298 - 230V

Performance Match

- 301504-001 Plasma P1 (Right) Two-Way 120V Powered Loudspeaker, Black Futura
- 170297 Plasma P1 (Right) Two-Way 230V Powered Loudspeaker, Black Futura
- 301505-001 Plasma P1 (Left) Two-Way 120V Powered Loudspeaker, Black Futura
- 170296 Plasma P1 (Left) Two-Way 230V Powered Loudspeaker, Black Futura

Accessories

- D112934 PowerCon to PowerCon 1.5M (4.5ft) Cable
- D112935 PowerCon to PowerCon 8M (24ft) Cable
- 301397-135 PCL35 Speaker Pole, Threaded, Black

EV Electro-Voice®

12000 Portland Avenue South, Burnsville, MN 55337
Phone: 952/884-4051, Fax: 952/884-0043

www.electrovoice.com

© Telex Communications, Inc. 11/2003
Part Number 38110-307 Rev A

U.S.A. and Canada only. For customer orders, contact Customer Service at:

800/392-3497 Fax: 800/955-6831

Europe, Africa, and Middle East only. For customer orders, contact Customer Service at:

+ 49 9421-706 0 Fax: + 49 9421-706 265

Other International locations. For customer orders, contact Customer Service at:

+ 1 952 884-4051 Fax: + 1 952 736-4212

For warranty repair or service information, contact the Service Repair department at:

800/685-2606

For technical assistance, contact Technical Support at: **866/78AUDIO**

Specifications subject to change without notice.

Free Manuals Download Website

<http://myh66.com>

<http://usermanuals.us>

<http://www.somanuals.com>

<http://www.4manuals.cc>

<http://www.manual-lib.com>

<http://www.404manual.com>

<http://www.luxmanual.com>

<http://aubethermostatmanual.com>

Golf course search by state

<http://golfingnear.com>

Email search by domain

<http://emailbydomain.com>

Auto manuals search

<http://auto.somanuals.com>

TV manuals search

<http://tv.somanuals.com>