

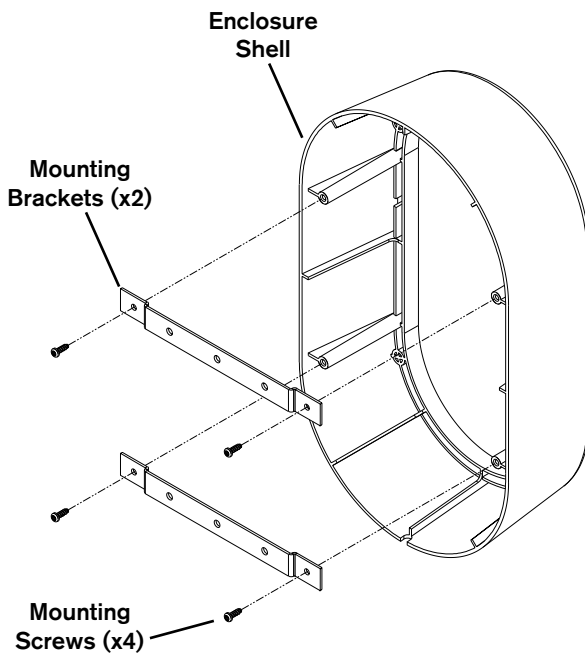
EV Innovative Design

SE-42/SE-62
External Wall-Mount Kit
for EVID™ FM-Series
Installation Instructions

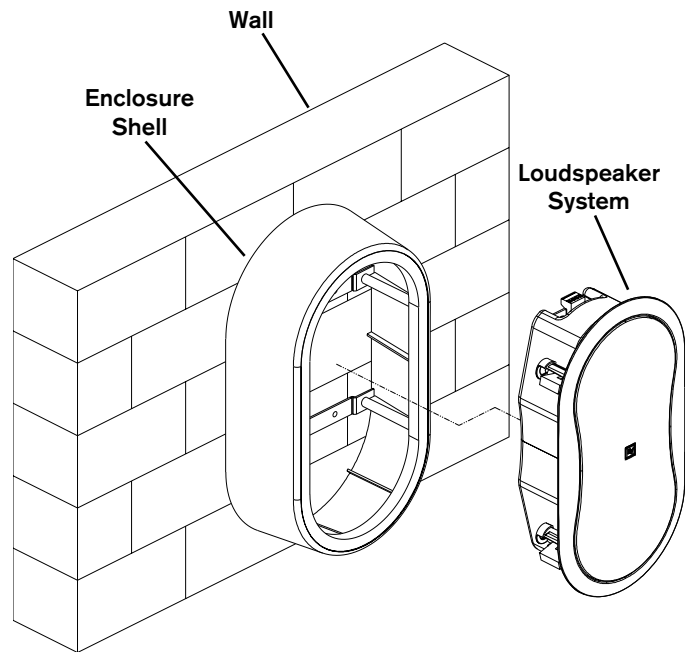


SE-42/SE-62 External Wall-Mounting Kit

The Electro-Voice® SE-42 and SE-62 External Wall-Mounting Kits feature a supportive attachment shell that allows for an EVID™ FM4.2 or FM6.2 (normally flush-mounted) loudspeaker to be externally mounted to a wall to obtain desired mounting location and sound coverage.



Step 1: Attach Mounting Bracket to Shell



Step 2: Attach Shell to Wall and Mount Loudspeaker

EVID™ FM Series External Wall Mount Kits		
Model	Part No.	Description
SE-42	ACC000037-000	Kit for Externally Wall-Mounting FM4.2 Loudspeaker
SE-62	ACC000038-000	Kit for Externally Wall-Mounting FM6.2 Loudspeaker

* Note - All hardware to mount Loudspeaker System to Enclosure Shell is included with kit. However, the end customer must supply all hardware to mount Enclosure Shell to Wall.

Electro-Voice®

12000 Portland Avenue South, Burnsville, MN 55337
 Phone: 952/884-4051, Fax: 952/884-0043

www.electrovoice.com

© Bosch Communications Systems 02/2008
 Part Number LIT000232 Rev 1

U.S.A. and Canada only. For customer orders, contact Customer Service at:
800/392-3497 Fax: 800/955-6831

Europe, Africa, and Middle East only. For customer orders, contact Customer Service at:
+ 49 9421-706 0 Fax: + 49 9421-706 265

Other International locations. For customer orders, Contact Customer Service at:
+ 1 952 884-4051 Fax: + 1 952 887-9212

For warranty repair or service information, contact the Service Repair department at:
800/685-2606

For technical assistance, contact Technical Support at: **866/78AUDIO**

Specifications subject to change without notice.

Free Manuals Download Website

<http://myh66.com>

<http://usermanuals.us>

<http://www.somanuals.com>

<http://www.4manuals.cc>

<http://www.manual-lib.com>

<http://www.404manual.com>

<http://www.luxmanual.com>

<http://aubethermostatmanual.com>

Golf course search by state

<http://golfingnear.com>

Email search by domain

<http://emailbydomain.com>

Auto manuals search

<http://auto.somanuals.com>

TV manuals search

<http://tv.somanuals.com>