

SL10-2V Speaker System



C I N E M A
S P E A K E R
S Y S T E M S

General Product Description

The Electro-Voice SL10-2V is a THX® approved 15° slanted baffle two-way, high-efficiency speaker system. The sleek black-vinyl enclosure with black cloth grille has been designed to blend into most interior design concepts.

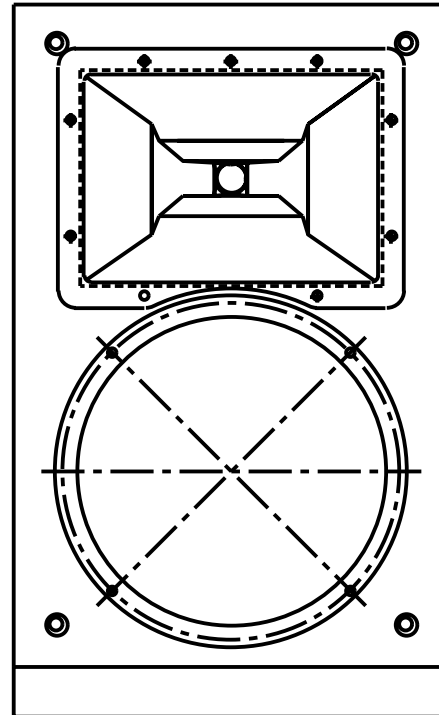
(THX is a registered trademark of Lucasfilm Ltd.)

Applications

The primary intended application of the SL10-2V is for high-quality surround sound in small and medium premium cinema installations. It has been designed for high-power digital surround sound requirements using high-quality, professional-level components such as a high-frequency 100° x 100° horn/driver and 10-inch woofer.

Applications include:

Cinemas
Conference Rooms
Houses of Worship



Speaker Description

Part Number	SL10-2V
LF Section & Components	10-inch woofer in vented enclosure
HF Section & Components	1-inch compression driver
System Configuration	Two-way, Full range
Powering Configuration	Passive
Recommended High-Pass Frequency (12 dB/octave min.)	50 Hz
Cabinet Type (shape)	Slant design
Enclosure Materials	Vinyl-clad particle board
Finish	Black vinyl
Connectors	Screw terminal
Suspension Hardware	$\frac{1}{4}$ - 20 suspension points (for use with OmniMount 100 by OmniMount® or MultiMount® by Allen Products (OmniMount is a registered trademark of OmniMount Systems, Inc.; MultiMount is a registered trademark of Allen Products Inc.) $\frac{5}{16}$ - 18 suspension points (for use with EV bracket, part number 590953)
Grille	Black-cloth covered grille

EVERYWHERESM

SL10-2V

Speaker System

Speaker Characteristics

Frequency Response (passive)

-3 dB	60 Hz-20 kHz
-10 dB	50 Hz-16 kHz

Axial Sensitivity 93 dB

Impedance 8 ohms

Power Handling

Long-term (EIA)	120 watts
Short-term peak	480 watts

Calculated Maximum Output SPL

Peak	120 dB
Long Term	114 dB

Nominal Coverage Angle

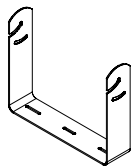
Horizontal (-6 dB)	100°
Vertical (-6 dB)	100°

Dimensions

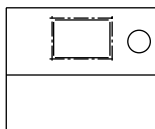
Height	18.75 in. (476 mm)
Width at front	12.50 in. (318 mm)
Depth	10.81 in. (275 mm)
Down Angle	15° per side

Weights

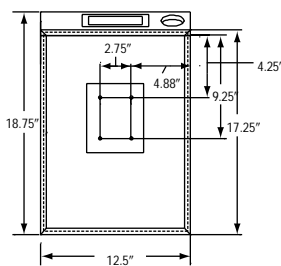
Net Weight	23.1 lb. (10.5 kg)
Shipping Weight	25.4 lb. (11.5 kg)



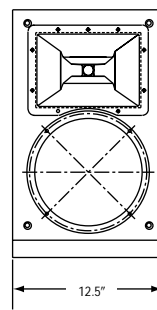
Bracket part number 590953
Available through Electro-Voice®.



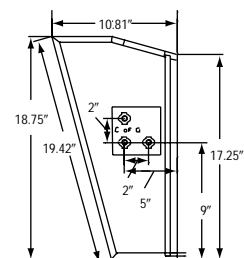
Top View



Back View



Front View
(with grille removed)



Side View



EVERYWHERE™

USA	12000 Portland Ave South, Burnsville, MN 55337, Phone: 952-884-4051, FAX: 952-884-0043
Canada	705 Progress Avenue, Unit 46, Scarborough, Ontario, Canada, M1H2X1, Phone: 416-431-4975, 800-881-1685, FAX: 416-431-4588
Switzerland	Keltenstrasse 11, CH-2563 IPSACH, Switzerland, Phone: 41/32-331-6833, FAX: 41/32-331-1221
Germany	Hirschberger Ring 45, D94315, Straubing, Germany, Phone: 49 9421-706 392, Fax: 49 9421-706 287
France	Parc de Courcier, Allee Lech Walesa, Lognes, 77185 Marne La Vallée, France, Phone: 33/1-6480-0090, FAX: 33/1-6480-4538
Australia	Unit 23, Block C, Slough Business Park, Slough Avenue, Silverwater, N.S.W. 2128, Australia, Phone: 61/2-9648-3455, FAX: 61/2-9648-5585
Hong Kong	Unit E & F, 21/F, Luk Hop Industrial Bldg., 8 Luk Hop St., San PO Kong, Kowloon, Hong Kong, Phone: 852-2351-3628, FAX: 852-2351-3329
Japan	2-5-60 Izumi, Suginami-ku, Tokyo, Japan 168, Phone: 81-3-3325-7900, FAX: 81-3-3325-7789
Singapore	3015A Ubi Rd 1, 05-10, Kampong Ubi Industrial Estate, Singapore 408705, Phone: 65-746-8760, FAX: 65-746-1206
Mexico	Av. Parque Chapultepec #66-201, Col. El. Parque Edo. Mex. 53390, Phone: (52) 5358-5434, FAX: (52) 5358-5588
UK	4, The Willows Centre, Willow Lane, Mitcham, Surrey CR4 4NX, UK, Phone: 44 181 640 9600, FAX: 44 181 646 7084
Africa, Mid-East	12000 Portland Ave South, Burnsville, MN 55337, Phone: 952-887-7424, FAX: 952-887-9212
Latin America	12000 Portland Ave South, Burnsville, MN 55337, Phone: 952-887-7491, FAX: 952-887-9212

www.electrovoice.com • Telex Communications, Inc. • www.telex.com

©Telex Communications, Inc. 11/2000 Part Number 38109-837 A

Architects' and Engineers' Specifications

The loudspeaker system shall be a two-way, 15° slanted baffle design, full-range system consisting of a 10-inch woofer, a 100° x 100° horn and compression driver, using a passive crossover network installed in a black vinyl-clad V-folded particle board enclosure with a black cloth grille.

The system shall have a crossover point of 1,500 Hz and have a nominal impedance of 8 ohms. Usable frequency range extended from 60 - 20,000 Hz. Sensitivity shall be an average of 93 dB for a 1 watt input at a distance of 1 meter on axis. Long term power capacity shall be at least 120 watts, based on ANSI/EIA RS-426-A 1980 standard for full-range loudspeaker systems.

Input connections shall be #10 screw terminals on a barrier strip. The Input panel will be located on the top surface. (See figure 2) This surface has been tilted back to better conceal wiring.

Suspension of the system shall be achieved through the use of OmniMount 100 for rear mounting options.

Overall dimensions shall be no greater than (47.60 cm) 18.75 inches high by (31.80 cm) 12.50 inches wide and a maximum depth of (27.50 cm) 10.81 inches.

Net weight shall be (10.5 kg) 23.1 lb. The system shall be Electro-Voice SL10-2V.

U.S.A. and Canada only.
For customer orders, contact the Customer Service department at
800/392-3497 Fax: 800/955-6831
For warranty repair or service information, contact the Service
Repair department at 800/685-2606
For technical assistance, contact Technical Support at 800/392-3497
Specifications subject to change without notice.

Free Manuals Download Website

<http://myh66.com>

<http://usermanuals.us>

<http://www.somanuals.com>

<http://www.4manuals.cc>

<http://www.manual-lib.com>

<http://www.404manual.com>

<http://www.luxmanual.com>

<http://aubethermostatmanual.com>

Golf course search by state

<http://golfingnear.com>

Email search by domain

<http://emailbydomain.com>

Auto manuals search

<http://auto.somanuals.com>

TV manuals search

<http://tv.somanuals.com>