

# Sx300

**Sx300**  
12-inch, 300 Watt,  
Two-Way Compact  
Speaker System



## Key Features:

- Ring-Mode Decoupling (RMD™) for increased intelligibility
- Lightweight, durable polymer enclosure with integral handles and stand mount
- EV DL12-BFH 12-inch woofer and DH2010A compression driver for great sound and reliable performance
- Constant-directivity 65° x 65° high-frequency horn
- Molded-in attachment points for secure suspension
- Dual Neutrik Speakon® high-current connectors
- Available in White (Sx300WE)



## General Description:

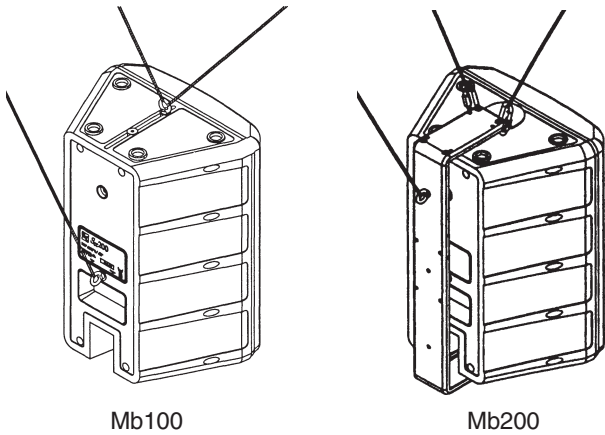
The Electro-Voice® Sx300 is a 300-watt, 12-inch two-way, high-efficiency, constant-directivity compact speaker system with Ring-Mode Decoupling (RMD™). Through the extensive use of computer-aided design and modeling, Electro-Voice engineers have developed a state-of-the-art professional loudspeaker system. The high-frequency section of the Sx300 utilizes a molded-in, 65° x 65° constant-directivity horn. This unique pattern contributes to high intelligibility, vocals sound natural yet “cut through” in reverberant, noisy rooms. In addition, the coverage pattern is unusually uniform over its range of operation. Sound quality off axis is very well maintained, even at 45° off axis (a 90° total coverage angle), beyond the rated coverage angle. The horn’s unique, Varipath™ throat geometry helps direct driver output to the corners of the room, this helps cover areas of the audience that typically do not receive good coverage. High-impact polypropylene structural foam provides a stiff and extremely durable lightweight enclosure. Molded into the cabinet are an integral carrying handle and a stand socket for mounting on 1-3/8-inch stands such as the Electro-Voice 100BK. Rubber feet that are attached to the bottom of the cabinet and mating sockets that are molded into the top provide a means of stacking systems. The trapezoidal-shaped cabinet, in combination with the uniform, 65° x 65° directivity characteristics, make the Sx300 ideal for use alone or in arrays.

## Technical Specifications:

Freq. Range <sup>1</sup> (-3 dB):	60 Hz - 20 kHz
Freq. Range <sup>1</sup> (-10 dB):	50 Hz - 20 kHz
Horizontal Coverage:	65° Nominal
Vertical Coverage:	65° Nominal
Power Handling:	300 Watts Cont., 1200 Watts Peak
Sensitivity (SPL 1W/1m):	99 dB
Crossover Frequency:	1,500 Hz
Nominal Impedance:	8 ohms (5 ohms minimum)
LF Transducer:	12" DL12-BFH
HF Transducer:	1" Exit DH2010A
Connectors:	(2) Neutrik Speakon NL4MP
Enclosure Material:	Polypropylene Structural Foam
Grille:	Powder Coated Steel
Dim (H x W x D):	23.1" x 16.9" x 12.3" (586mm x 429mm x 312mm)
Net Weight:	32 lbs (14.5 kg)
Shipping Weight:	36 lbs (16.3 kg)

<sup>1</sup> Half Space Measurement

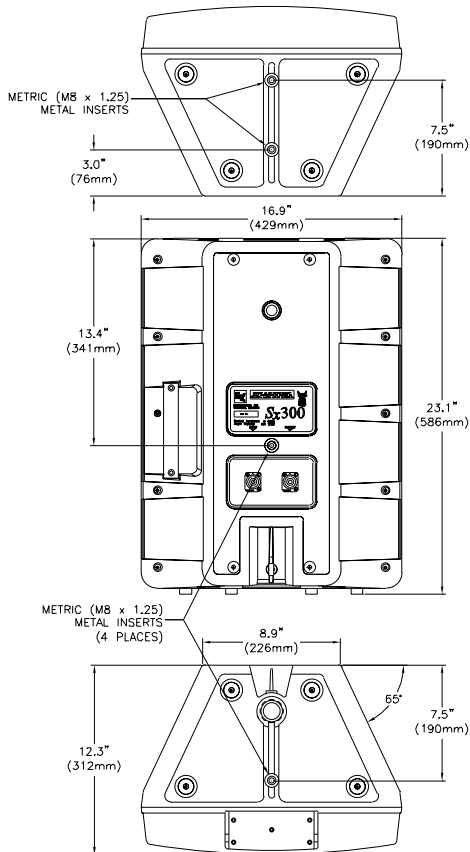
## Suspending the Sx300 with Mb100 and Mb200:



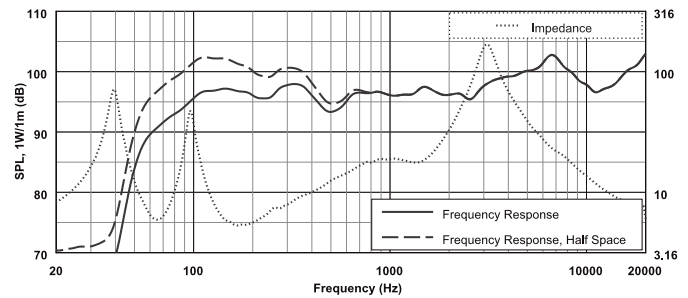
Mb100

Mb200

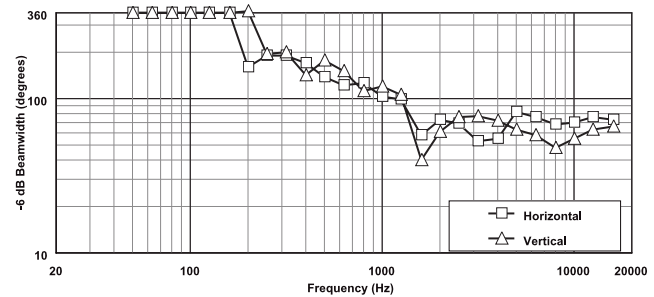
## Dimension Drawings:



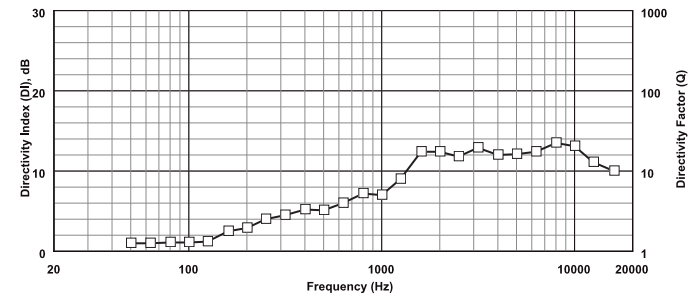
## Frequency Response & Impedance:



## Beamwidth:



## Directivity:



## Performance Match:

- Sb121 Bass Module
- 100BK Mounting Stand
- F200 Monitor Feet Attachments
- Mb100 Forged Eyebolt Attachment Kit
- Mb200 Wall/Ceiling Mounting Bracket
- Mb300 Horizontal Array Kit
- P1200 Amplifier
- Q44 Amplifier
- Q66 Amplifier

## Sx300 Part Numbers:

- Sx300E -- 11053031  
Neutrik Speakon®, Black
- Sx300WE -- 11053029  
Neutrik Speakon®, White

**Electro-Voice®**

12000 Portland Avenue South, Burnsville, MN 55337  
Phone: 952/884-4051, Fax: 952/884-0043

[www.electrovoice.com](http://www.electrovoice.com)

© Telex Communications, Inc. 4/2003  
Part Number 534694 Rev D

U.S.A. and Canada only. For customer orders, contact Customer Service at:  
800/392-3497 Fax: 800/955-6831

Europe, Africa, and Middle East only. For customer orders, contact Customer Service at:  
+ 49 9421-706 0 Fax: + 49 9421-706 265

Other International locations. For customer orders, contact Customer Service at:  
+ 1 952 884-4051 Fax: + 1 952 736-4212

For warranty repair or service information, contact the Service Repair department at:  
800/685-2606

For technical assistance, contact Technical Support at: 866/78AUDIO

Specifications subject to change without notice.

## Free Manuals Download Website

<http://myh66.com>

<http://usermanuals.us>

<http://www.somanuals.com>

<http://www.4manuals.cc>

<http://www.manual-lib.com>

<http://www.404manual.com>

<http://www.luxmanual.com>

<http://aubethermostatmanual.com>

Golf course search by state

<http://golfingnear.com>

Email search by domain

<http://emailbydomain.com>

Auto manuals search

<http://auto.somanuals.com>

TV manuals search

<http://tv.somanuals.com>