

# CPS2.11

## High-Efficient, Lightweight Two-Channel Power Amplifier



### Key Features:

- 2 x 1600W/2 Ohms
- High Efficient Class-H Design
- 2 U Rack Space
- Detend Rear Level Controls
- Complete Protection Package
- Dynamic Limiter
- Phoenix Type Inputs
- Barrier Outputs
- Retrofit Signal Processing Kits
- Remote Power On/Off



### General Description:

The Electro-Voice® CPS2.11 is from the Contractor Precision Series of professional amplifiers. The high efficient Class-H design reduces the power dissipation significantly and allows for more amplifier channels and output power in a given rack space.

The audio performance of the CPS2.11 is state-of-the art and fulfills the highest sound expectations in demanding applications from concert sound to theater. The CPS2.11 features the same complete protection package as all EV Precision Series amplifiers. Protection against: excessive HF, DC fault, high temperature, and Back-EMF as well as turnon delay, peak current and inrush current limiters. In addition to the rated output power the CPS2.11 provides up to 30% percent headroom for a wide dynamic range on music signals. The onboard dynamic limiter ensures that the output clipping of the CPS2.11 will not exceed a THD of 1% up to an input signal of +21dBu. Detented level controls on the rear panel provide precise (1dB-detend) and repeatable settings.

Front panel LEDs indicate signal present, 0 dB, and limit. Female XLRs and Phoenix type connectors for inputs and barrier strips for outputs provide an easy rack wiring. The power on/off function of the CPS2.11 can be remote controlled via a 24V DC source. Optional x-over cards for biamp operation (e.g. a 2-way cinema system) can be retrofitted.

### Technical Specifications:

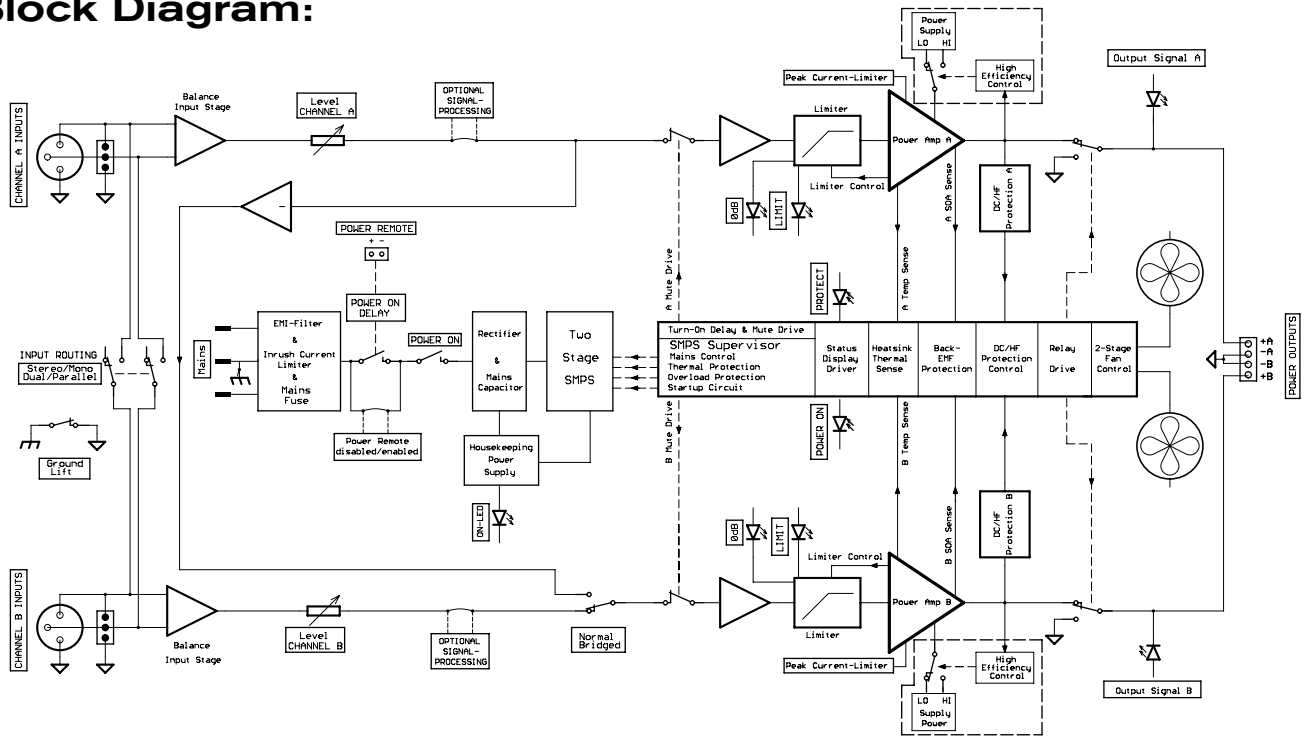
Load Impedance:	2 Ohms	4 Ohms	8 Ohms
Maximum Midband Output Power (THD = 1%, 1 kHz, Dual Channel):	1600W	1100W	600W
Rated Output Power (THD = 0,1 %, 20 Hz - 20 kHz):	-	900W	450W
Maximum Bridged Output Power (THD = 1%, 1 kHz):	-	3200W	2200W
Maximum RMS Voltage Swing (THD = 1%, 1 kHz):	78V		
Power Bandwidth (THD = 1%, 1 kHz, Half Power @ 4 Ohms):	10 Hz - 60 kHz		
Voltage Gain ref. 1 kHz:	32.0 dB		
Input Sensitivity (@ Rated Power, 8 Ohms, 1 kHz):	+5.8 dBu (1.51 Vrms)		
THD @ Rated Output Power (<0.1%, CPS2T@100V):	< 0.05%		
IDE-SMTP (60 Hz, 7 kHz):	<0.02%		
DIM 30 (3.15 kHz, 15 kHz):	<0.05%		
Maximum Input Level:	+22 dBu (9.76 Vrms)		
Crosstalk (ref. 1 kHz, Rated Output Power):	< -80 dB		
Frequency Response (+/- 1 dB, ref. 1 kHz):	15 Hz - 40 kHz		
Input Impedance Active Balanced:	20 kOhms		
Damping Factor @ 1 kHz:	>300		
Slew Rate:	35 V/us		
Signal-to-Noise Ratio (A-Weighted):	107 dB		
Power Requirements <sup>1</sup> :	240V, 230V, 220V, 120V, or 100V; 50 - 60 Hz (Factory Configured)		
Power Consumption:	820W		
Power Dissipation (1/8 Max. Output Power @ 4 Ohms):	396W (1350 BTU/hr)		
Protection:	Audio Limiters, High Temperature, DC, HF, Back-EMF, Peak Current Limiters, Inrush Current Limiters, Turn-On Delay		
Cooling:	Front-to-Rear, 3-Stage Fans		
Dimensions (W x H x D):	483mm x 88.1mm x 368.8mm (19" x 3.5" x 15.22")		
Net Weight:	8.15 kg (17.96 lbs)		
Shipping Weight:	9.65 kg (21.26 lbs)		

- Amplifier at rated conditions, both channels driven, 8 ohm loads, unless otherwise specified.  
<sup>1</sup> Factory Configured.

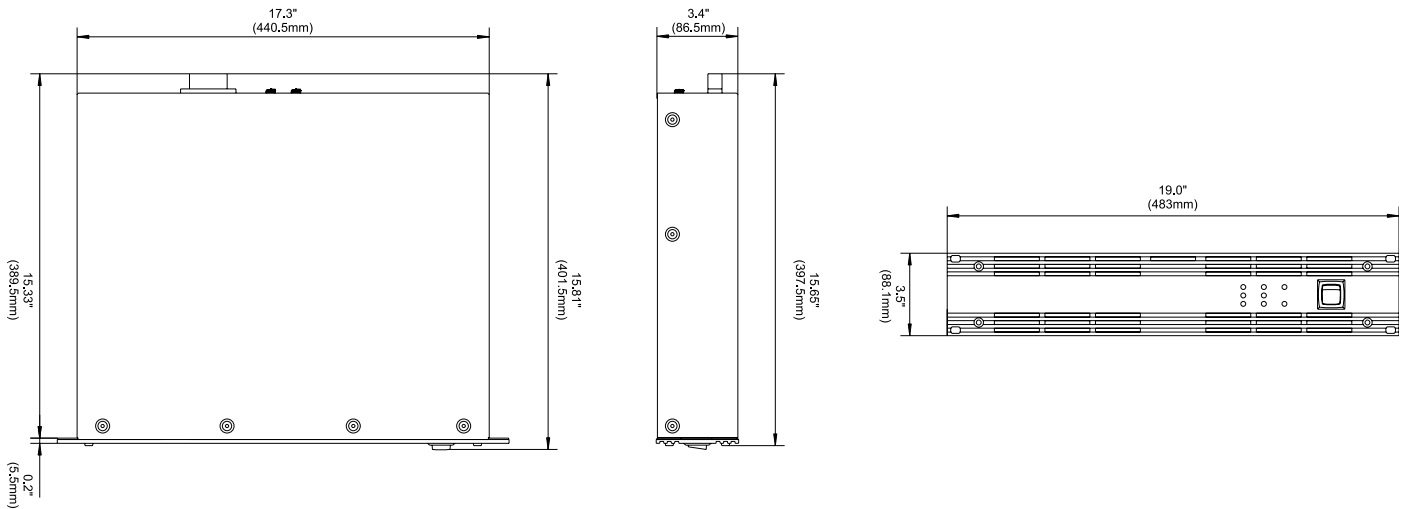
Live For Sound  
[www.electrovoice.com](http://www.electrovoice.com)



## Block Diagram:



## Dimension Drawings:



## CPS2.11 Part Numbers:

- D170317 CPS2.11, 2x1600 120v Power Amplifier

**Electro-Voice®**

12000 Portland Avenue South, Burnsville, MN 55337  
Phone: 952/884-4051, Fax: 952/884-0043

www.electrovoice.com

© Bosch Communications Systems

03/2008

Part Number LIT000240 Rev 1

U.S.A. and Canada only. For customer orders, contact Customer Service at:

**800/392-3497 Fax: 800/955-6831**

Europe, Africa, and Middle East only. For customer orders, contact Customer Service at:

**+ 49 9421-706 0 Fax: + 49 9421-706 265**

Other International locations. For customer orders, Contact Customer Service at:

**+ 1 952 884-4051 Fax: + 1 952 887-9212**

For warranty repair or service information, contact the Service Repair department at:

**800/685-2606**

For technical assistance, contact Technical Support at: **866/78AUDIO**

Specifications subject to change without notice.

## Free Manuals Download Website

<http://myh66.com>

<http://usermanuals.us>

<http://www.somanuals.com>

<http://www.4manuals.cc>

<http://www.manual-lib.com>

<http://www.404manual.com>

<http://www.luxmanual.com>

<http://aubethermostatmanual.com>

Golf course search by state

<http://golfingnear.com>

Email search by domain

<http://emailbydomain.com>

Auto manuals search

<http://auto.somanuals.com>

TV manuals search

<http://tv.somanuals.com>