

# CPS2.8

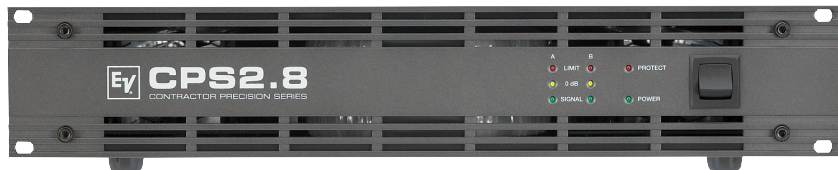
CONTRACTOR PRECISION SERIES

CPS2.8  
High-Efficient, Lightweight  
Two-Channel  
Power Amplifier



## Key Features:

- 2 x 1100W/ 2 Ohms
- High Efficient Class-H Design
- 2 U Rack Space
- Detend Rear Level Controls
- Complete Protection Package
- Dynamic Limiter
- Phoenix Type Inputs
- Barrier Outputs
- Retrofit Signal Processing Kits
- Remote Power On/Off



## General Description:

The Electro-Voice® CPS2.8 is from the Contractor Precision Series of professional amplifiers. The high efficient Class-H design reduces the power dissipation significantly and allows for more amplifier channels and output power in a given rack space. The audio performance of the CPS2.8 is state-of-the-art and fulfills the highest sound expectations in demanding applications from concert sound to theater. The CPS2.8 features the same complete protection package as all EV Precision Series amplifiers. Protection against: excessive HF, DC fault, high temperature, and Back-EMF as well as turn-on delay, peak current and inrush current limiters. In addition to the rated output power the CPS2.8 provides up to 30% percent headroom for a wide dynamic range on music signals. The onboard dynamic limiter ensures that the output clipping of the CPS2.8 will not exceed a THD of 1% up to an input signal of +21dBu. Detend level controls on the rear panel provide precise (1dB-detend) and repeatable settings. Front panel LEDs indicate signal present, 0 dB, and limit. Female XLRs and Phoenix type connectors for inputs and barrier strips for outputs provide an easy rack wiring. The power on/off function of the CPS2.8 can be remote controlled via a 24V DC source. Optional x-over cards for biamp operation (e.g. a 2-way cinema system) can be retrofitted.

## Technical Specifications:

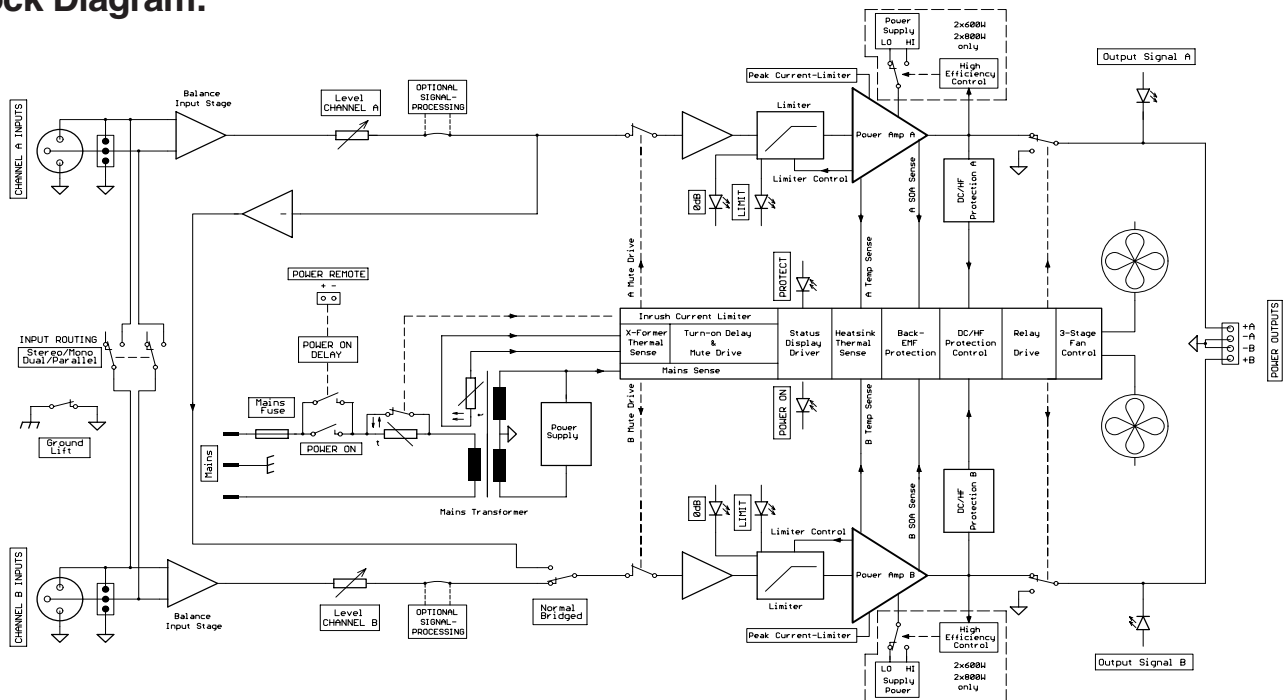
Maximum Midband Output Power 2, 4, 8 Ohms: (THD = 1% , 1kHz, Dual Channel)	1100W, 800W, 500W
Rated Output Power 4, 8 Ohms: (THD < 0.1% , 20 Hz - 20 kHz)	700W, 350W
Maximum Single Channel Output Power 2, 4, 8 Ohms: (Dynamic-Headroom , IHF-A)	2200W, 1200W, 625W

Maximum Single Channel Output Power 2, 4, 8 Ohms: (Continuous, 1 kHz)	1500W, 950W, 550W
Maximum Bridged Output Power 4, 8 Ohms: (THD = 1% , 1 kHz)	2200W, 1600W
Maximum RMS Voltage Swing: (THD 1% , 1kHz)	72V
Power Bandwidth (THD = 1% , ref.1kHz, half power @ 4 Ohms):	10 Hz - 60 kHz
Voltage Gain, ref.1kHz:	32.0 dB
Input Sensitivity (@ rated power, 8 Ohms, 1kHz):	+4.7 dBu (1.33 Vrms)
THD at rated output power, (MBW = 80kHz, 1kHz):	< 0.05%
IMD-SMPTE (60 Hz, 7 kHz):	< 0.02%
DIM 30 (3,15 kHz, 15 kHz):	< 0.01%
Maximum Input Level:	+22 dBu (9.76 Vrms)
Crosstalk (ref. 1kHz, at rated output power):	< -80 dB
Frequency Response (+/- 1dB , ref.1 kHz):	15 Hz - 40 kHz
Input Impedance active balanced:	20 kohm
Damping Factor @ 1kHz:	> 300
Slew Rate:	35 V/μs
Signal to Noise Ratio Amplifier, A-Weighted, Input Sensitivity:	107 dB
Output Noise (A-Weighted):	< -70 dBu
Power Requirements <sup>1</sup> :	240, 230V,120V or 100V; 50 Hz - 60 Hz
Power Consumption (1/8 max. output power @ 4 Ohms, +10% ):	660W
Protection:	Audio limiters, High temperature, DC, HF, Back-EMF, Peak current limiters, Inrush current limiters, Turn-on delay
Cooling:	Front-to-rear, 3-stage-fans
Safety Class:	Class I
Dimensions (W x H x D ):	19.0" x 3.5" x 15.25" (483mm x 88.1mm x 386.8mm)
Net Weight:	35.2 lbs (16 kg)
Shipping Weight:	38.5 lbs (17.5 kg)

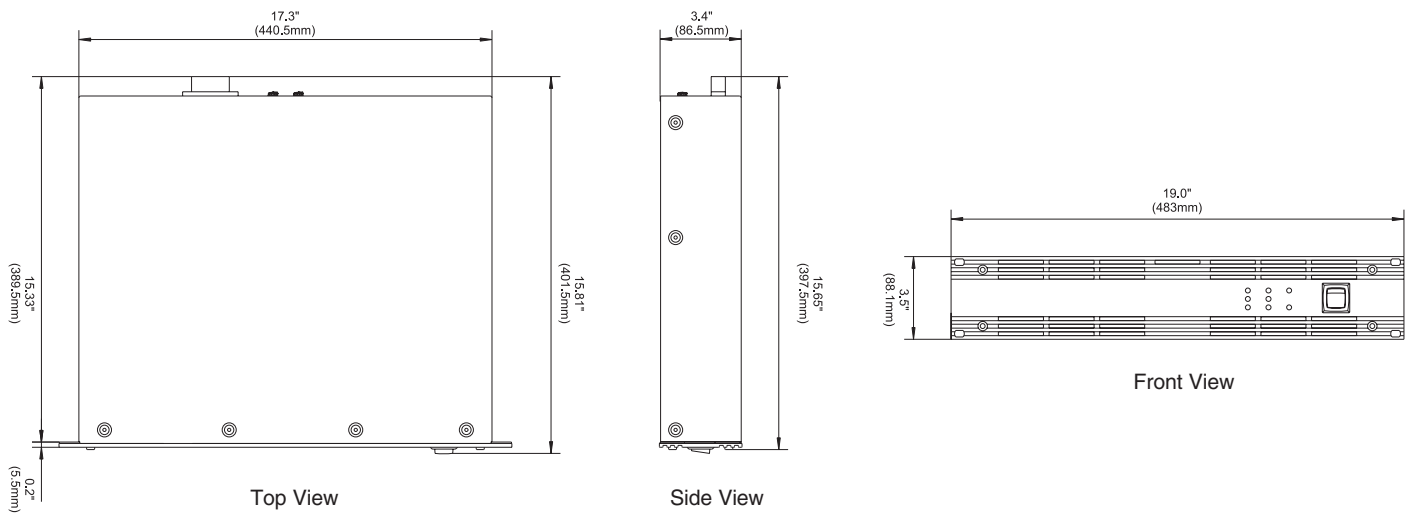
<sup>1</sup> Amplifier at rated conditions, both channels driven, 8 Ohms loads, unless otherwise specified.  
<sup>2</sup> Factory Configured.



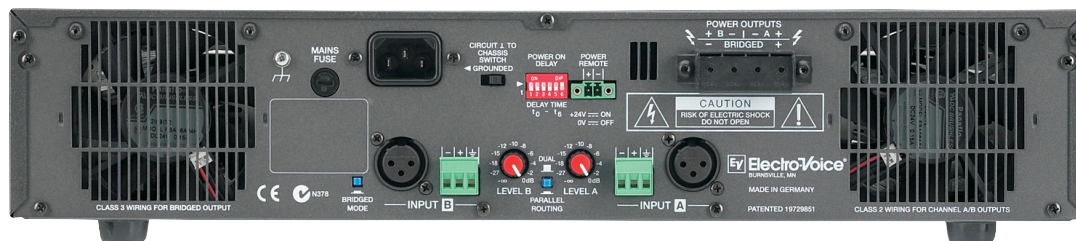
## Block Diagram:



## Dimension Drawings:



## Rear View:



### CPS2.8 Part Numbers:

CPS2.8, 100V -- 170255  
 CPS2.8, 120V -- 170261  
 CPS2.8, 230V -- 170273  
 CPS2.8, 240V -- 170279

**Electro-Voice**

12000 Portland Avenue South, Burnsville, MN 55337  
 Phone: 952/884-4051, Fax: 952/884-0043

[www.electrovoice.com](http://www.electrovoice.com)

© Telex Communications, Inc. 5/2003  
 Part Number 38110-263 Rev A

U.S.A. and Canada only. For customer orders, contact Customer Service at:

800/392-3497 Fax: 800/955-6831

Europe, Africa, and Middle East only. For customer orders, contact Customer Service at:

+ 49 9421-706 0 Fax: + 49 9421-706 265

Other International locations. For customer orders, contact Customer Service at:

+ 1 952 884-4051 Fax: + 1 952 736-4212

For warranty repair or service information, contact the Service Repair department at:

800/685-2606

For technical assistance, contact Technical Support at: 866/78AUDIO

Specifications subject to change without notice.

## Free Manuals Download Website

<http://myh66.com>

<http://usermanuals.us>

<http://www.somanuals.com>

<http://www.4manuals.cc>

<http://www.manual-lib.com>

<http://www.404manual.com>

<http://www.luxmanual.com>

<http://aubethermostatmanual.com>

Golf course search by state

<http://golfingnear.com>

Email search by domain

<http://emailbydomain.com>

Auto manuals search

<http://auto.somanuals.com>

TV manuals search

<http://tv.somanuals.com>