

**SERVICE SECTION  
ORION™  
136-174 MHz Dual Bandwidth  
SYNTHESIZED TWO-WAY FM RADIO**

**TABLE OF CONTENTS**

	<u>Page</u>
DESCRIPTION .....	2
INITIAL MEASUREMENTS .....	2
TRANSMITTER .....	2
RECEIVER.....	2
MAINTENANCE .....	3
PREVENTIVE MAINTENANCE .....	3
DISASSEMBLY PROCEDURE .....	4
ALIGNMENT PROCEDURES .....	7
INTRODUCTION .....	7
TRACKING DATA.....	9
TEST FREQUENCIES.....	9
SETTING TRACKING DATA .....	10
TRANSMITTER ALIGNMENT .....	11
PA TRANSISTOR REPLACEMENT .....	11
RECEIVER ALIGNMENT .....	12
TEST EQUIPMENT REQUIRED .....	12
ADJUSTMENT PROCEDURES .....	12
SQUELCH ADJUSTMENT .....	13
TROUBLESHOOTING GUIDE .....	13
INTRODUCTION .....	13
MICROPHONICS .....	13
SERVICEABLE PARTS .....	14
DIAGNOSTIC PROCEDURES .....	15
ADDITIONAL TOOLS REQUIRED.....	16
ERROR CODES .....	19

## **DESCRIPTION**

This section contains the information required to service the ORION VHF Dual Bandwidth two-way FM radio. Included are disassembly procedures, alignment procedures, and troubleshooting information (see Table of Contents).

This radio is adjusted by setting personality parameters stored in the radio's computer memory. Therefore, all radio alignment procedures require the use of a Personal Computer (IBM PC or equivalent), along with a Programming Interface TQ3370, and an ORION PC Programming Cable TQ3377. PC Programming Software Version 4.00 or later is also required.

This radio is designed to be serviced by replacement of modules and/or circuit boards. As such, there are very few serviceable component parts contained on any of the circuit boards within the radio. Normally, defective boards should be replaced, and returned to an Authorized Service Center. Any serviceable parts are listed in the troubleshooting guide for the individual circuit boards.

## **INITIAL MEASUREMENTS**

After the radio has been installed as described in the Installation Manual, the following measurements should be made by a certified electronics technician, and recorded for future reference:

### **TRANSMITTER**

- RF Power into 50 ohm resistive load
- Forward Power into antenna
- Reflected Power from antenna
- Carrier Frequency
- Modulation Deviation

### **RECEIVER**

- 12 dB SINAD Sensitivity from FM signal generator

## MAINTENANCE

### PREVENTIVE MAINTENANCE

#### NOTE

To ensure high operating efficiency, and to prevent mechanical and electrical failures from interrupting system operations, routine checks should be made of all mechanical and electrical equipment at regular intervals. This preventive maintenance should include the checks as listed in Table 1, Maintenance Checks.

**Table 1 - Maintenance Checks**

MAINTENANCE CHECKS	INTERVAL
<p>CONNECTIONS - Ground connections and connections to the voltage source should be periodically checked for tightness. Loose or poor connections to the power source will cause excessive voltage drops and faulty operation. When ground connections are not made directly to the battery, the connection from the battery to vehicle chassis must be checked for low impedance. A high impedance may cause excessive voltage drops and alternator noise problems.</p>	<p>Every 6 months</p>
<p>ELECTRICAL SYSTEM - Check the voltage regulator and alternator or generator periodically to keep the electrical system within safe and economical operating limits. Overvoltage is indicated when the battery loses water rapidly. Usage of 1 or 2 ounces of water per cell per week is acceptable for batteries in continuous operation. A weak battery will often cause excessive noise or faulty operation.</p>	<p>As Required</p>
<p>MECHANICAL INSPECTION - Since mobile units are subject to constant shock and vibration, check for loose plugs, nuts, screws, and parts to make sure that nothing is working loose. Be sure that all screws are properly torqued.</p>	<p>Every 6 months</p>
<p>ANTENNA INSPECTION - The antenna, antenna base, and all contacts should be kept clean and free from dirt or corrosion. If the antenna or its base should become coated or poorly grounded, loss of radiation and a weak signal will result.</p>	<p>Every 6 months</p>
<p>ALIGNMENT - The transmitter and receiver measurements should be checked periodically. Refer to the applicable Alignment Procedure and troubleshooting sheet for typical voltage readings.</p>	<p>As Required</p>
<p>FREQUENCY CHECK - Check transmitter frequency and deviation, as required by the FCC. Normally, these checks are made when the unit is first put into operation, after the first six months, and once a year thereafter.</p>	<p>As Required</p>

## **DISASSEMBLY PROCEDURE**

### **To Remove the Unit from the Mounting Bracket**

1. Remove Microphone, Power, and Accessory/Remote Control Cables, as required.
2. Remove the lock screws at the side of the radio unit, using a No. 20 TORX® driver.
3. Pull the radio, and remove the mounting bracket.

### **To Gain Access to the Circuitry for Servicing**

#### **RF Power Amplifier Module**

1. Remove the waterproof cover on the bottom of the module, using #20 TORX® driver. Note that the four mounting screws are captive.
2. Remove the inner shield by pulling the attached handle.

#### **Transceiver (TXRX) Module**

1. Remove the waterproof top and bottom covers, using a #20 TORX® driver. Four cover mounting screws are located on the bottom of the module. The screws on the bottom cover are captive.
2. To expose the Logic/Audio/455 kHz IF circuitry, remove the shield on top of the module by pulling the attached handle.
3. To expose the Exciter/RX Front End circuitry, remove the shield on the bottom of the module by pulling the attached handle.

#### **NOTE**

The VCO/Synthesizer circuitry is exposed by removing the screws from the shield casting, also located on the bottom of the module. However, this is not recommended, except on extreme situations. If the shield is removed, it should be replaced using the exact screw torque and installation sequence given in LBI-38909.

#### **Control Unit (Front Mounted)**

1. Expose the Logic/Audio/455 kHz IF circuitry according to Steps 1 and 2 in **Transceiver (TXRX) Module** section.
2. Disconnect Flex Circuit PC2 from Connector J701, by carefully disengaging the locking tab from each side of the connector with a jeweler's screwdriver or tweezers. Use extreme care to avoid damaging the plating runs or surface-mounted components on the printed wire board (PWB) during this procedure.
3. Turn the radio upside down, and disengage the two mounting screws, using a #10 TORX® driver. Be sure to engage the screws in the captivation threads on the Transceiver chassis. Do this by pulling each screw upwards with tweezers or needle nose pliers, while simultaneously turning the screw counterclockwise with the TORX® driver. See LBI-38909 for details.
4. Disengage the control unit from the Transceiver chassis using a pivoting motion about the top edge of the Transceiver chassis.
5. Disengage the four captive screws on the rear cover, using a #10 TORX® driver. Slide the rear cover off the Front Panel Assembly, using care to avoid damaging the black "O-Ring" moisture gasket attached to the rear cover. Note that the Flex Circuit PC2 slides through a slot opening on the rear cover.

#### **Control Head (Remote Mounting)**

1. Disconnect Remote Control and Accessory cables, using a small flat bladed screwdriver.
2. Remove the two side mounting screws from the mounting bracket. Carefully remove the Control Head assembly from the bracket.

3. Disengage the four captive screws on the rear half (also known as the Remote Interface Adapter, or RIA) of the Control Head. Slide the two halves apart, using care to avoid damaging the black "O-Ring" moisture gasket attached to the RIA.
4. Disconnect Flex Circuit PC2 from Connector J2, by carefully disengaging the locking tab from each side of the connector with a jeweler's screwdriver or tweezers. Use extreme care to avoid damaging plating runs or surface-mounted components in the PWB during this procedure.

### **To Re-Assemble Unit after Servicing**

Essentially follow the reverse of the preceding instructions. However, in order to preserve moisture seals, be sure to follow the **EXACT** torque and sequencing specifications for screw engagement during re-assembly. These specifications are given in LBI-38909.

#### **NOTE**

For re-assembly of the Control Units (Front and Remote Mounting) Revision "A" or later, be sure the black "O-Ring" is lubricated properly with "HIVAC-G" silicone grease. (See Figures 1A and 1B for instructions.)

#### Steps:

1. Remove dust and dirt from the black O-Ring gasket.
2. Apply proper amount of the silicone grease to cloth.
3. Put the silicone grease on throughout the surface of the black O-Ring gasket evenly. (see Figures 1A and 1B)

#### **CAUTION**

No fibers of the cloth must remain on the gasket after silicone is applied.

4. Wipe out protruded silicone grease from the Rear/RIA Cover.

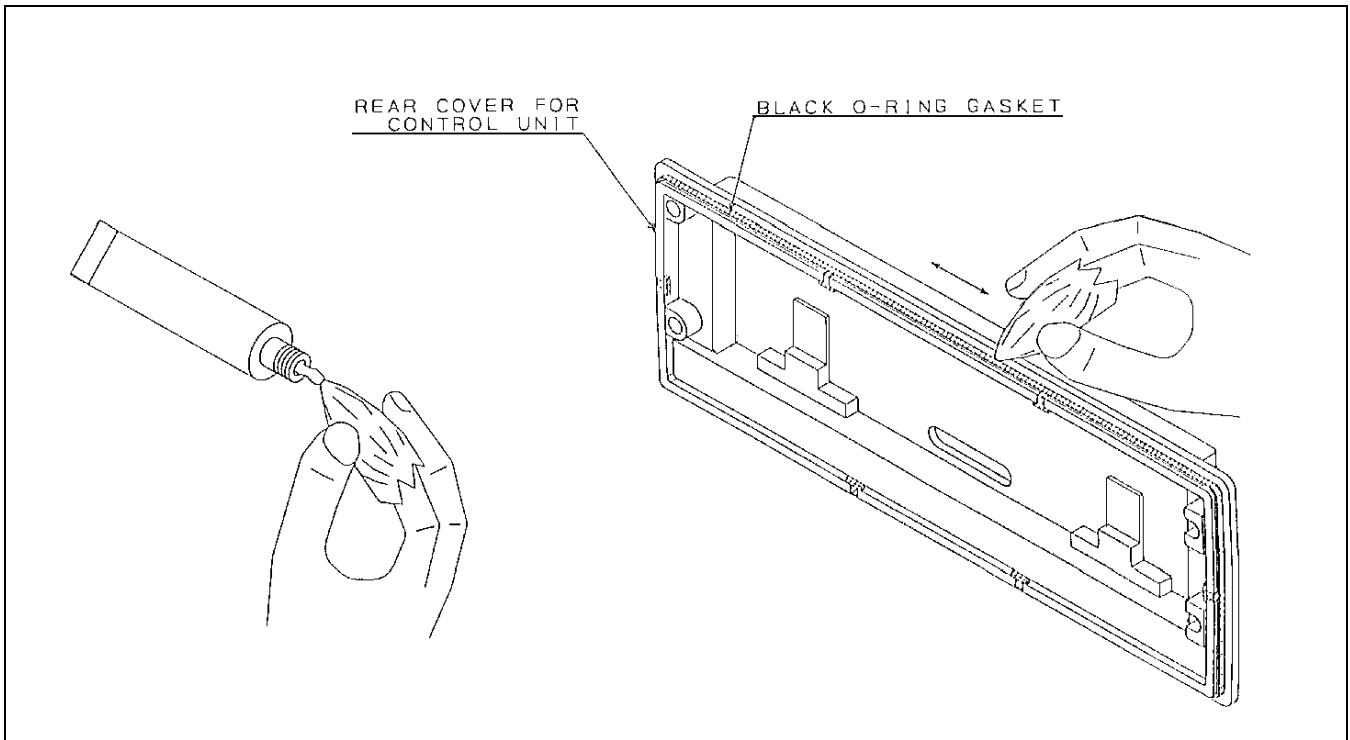


Figure 1A - Front Mount Control Unit "O-Ring" Lubrication

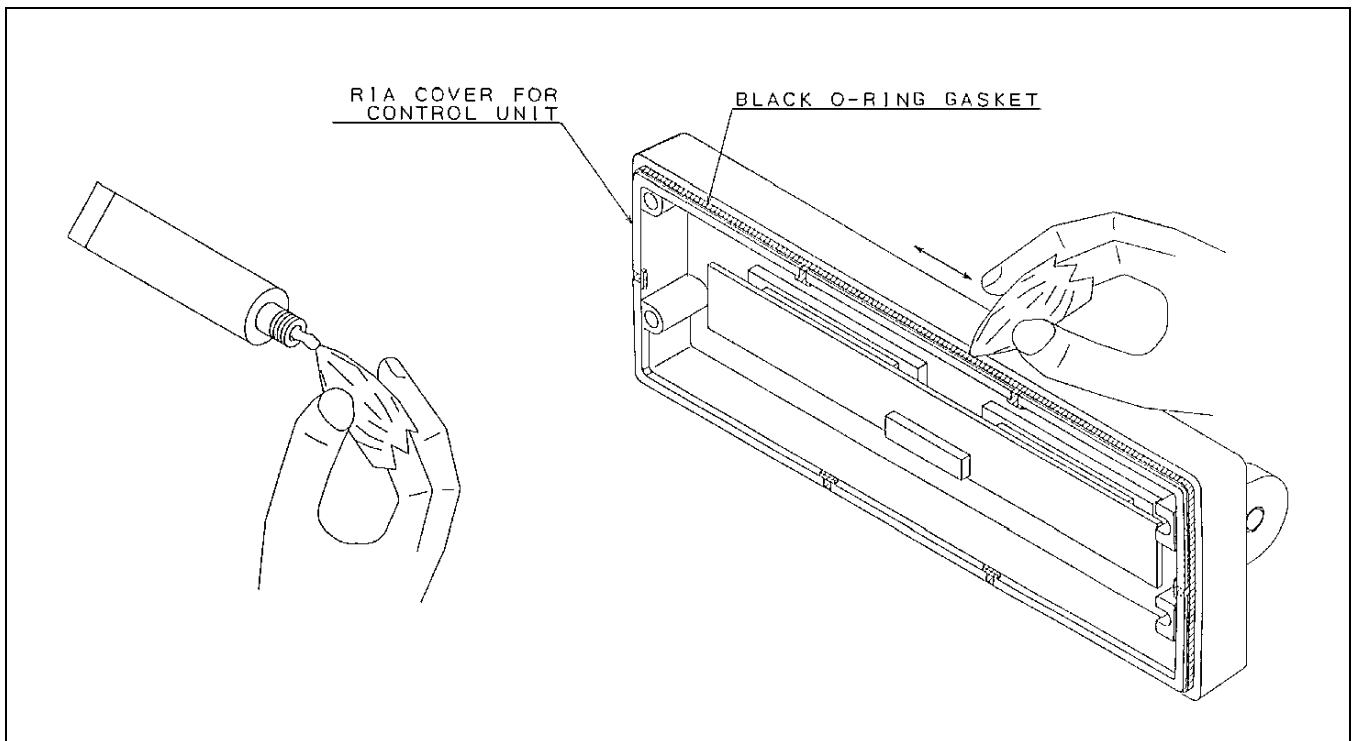


Figure 1B - Remote Mount Control Unit "O-Ring" Lubrication

## ALIGNMENT PROCEDURES

### INTRODUCTION

All operations of this radio are controlled by an embedded digital computer, which is programmed with a personality unique to the customer. In order to align and test the radio, it must be programmed with a specific test personality, which will allow conventional operation on certain test frequencies. Furthermore, certain commands, known as Test Mode Commands, cause the radio to perform specific test functions. These will be noted as required in the following alignment and troubleshooting instructions.

In order to program an ORION personality, the radio and control unit must first be connected to a Personal Computer via a PC Programming Cable and hardware Programming Interface TQ3370 in one of the configurations shown in Figures 2 and 3. Accessories may be connected to the appropriate Accessory Cable 19B802554P1-P4 as needed.

The PC must be equipped with the PC Programming Software Version 4.0 or later. It is assumed in this manual that the Service Technician is familiar with the operation of the PC Programming Software Programs. Consult the PC Programming Software manuals for further details regarding this software.

### CAUTION

Before bench testing the radio, be sure of the output voltage characteristics of your bench power supply.

To protect the transmitter power output transistors from possible instant destruction, the following input voltages must not be exceeded

Transmitter unkeyed:	16.5 Volts
Transmitter keyed (50 ohms resistive load)	16.3 Volts
Transmitter keyed (no load or non-resistive load):	14.0 Volts

These voltages are specified at the normal vehicle battery terminals of the radio and take the voltage drop of standard cables into account. The voltage limits shown for a non-optimum load is for "worst case" conditions. For antenna mismatches likely to be encountered in practice, the actual limit will approach the 16.3 Volt figure.

Routine transmitter tests should be performed at EIA Standard Test Voltages (13.6 VDC for loads of 6 to 16 amperes; 13.4 VDC for loads of 16 to 36 amperes). Input voltages must not exceed the limits shown, even for transient peaks of short duration.

Many commonly used bench power supplies cannot meet these requirements for load regulation and transient voltage suppression. Bench supplies which employ "brute force" regulation and filtering (such as Lapp Model 73) may be usable when operated in parallel with a 12 Volt automotive storage battery.

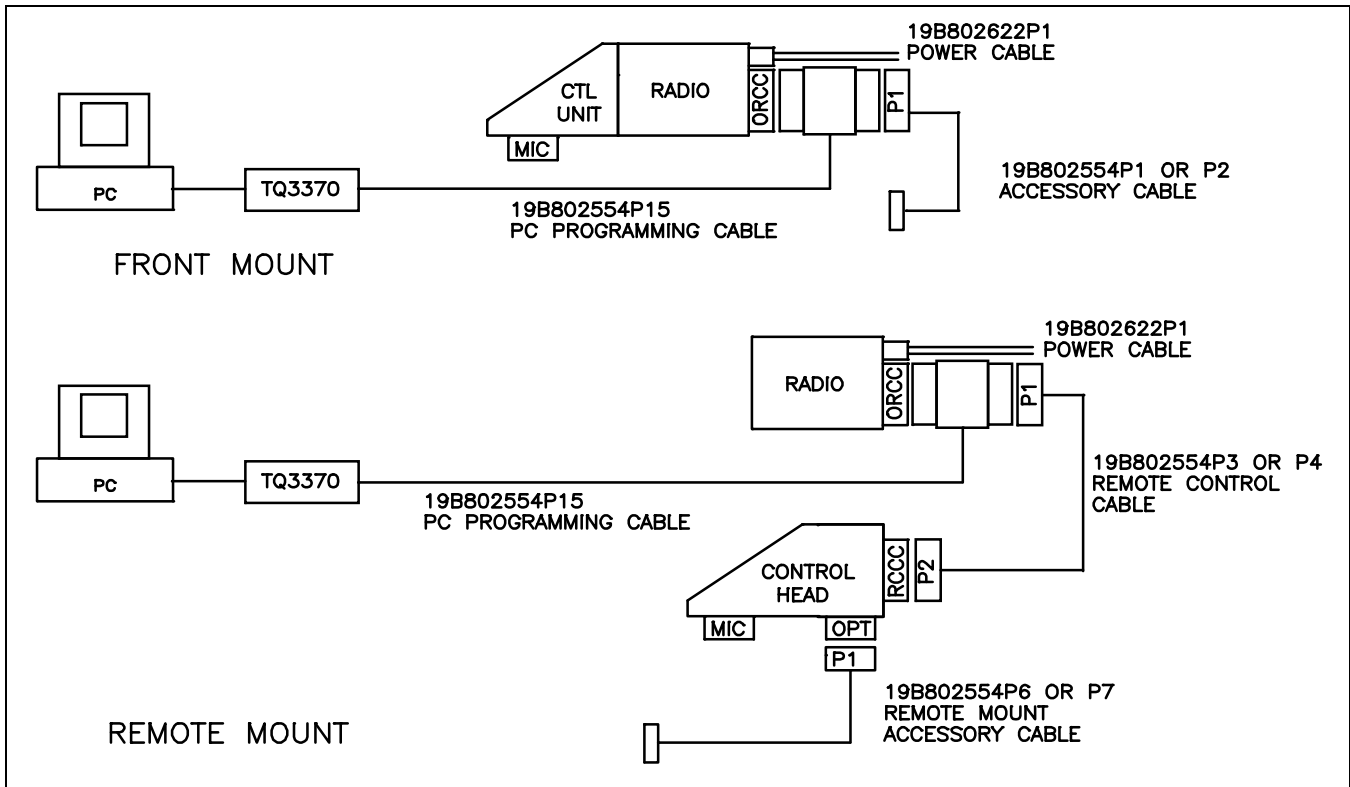


Figure 2 - ORION Programming Configurations (USA)

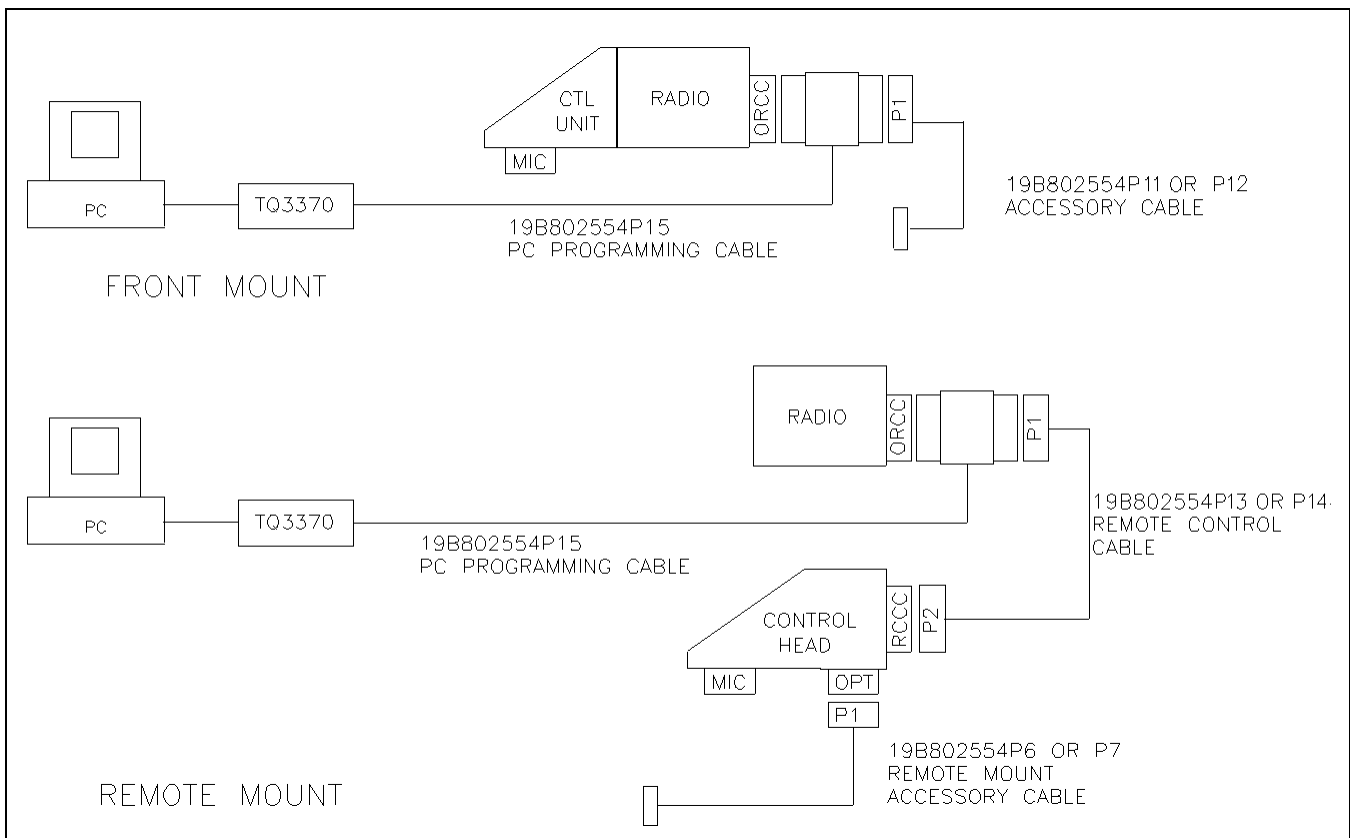


Figure 3 - ORION Programming Configurations (EURO)



## TRACKING DATA

The radio personality contains certain information bytes known as Tracking Data, which allow the radio computer to calibrate transmitter power, modulation deviation, and squelch threshold. Normally, no adjustments need be made to the radio to maintain specified limits for the above parameters, since the radio computer makes the necessary adjustments using the Tracking Data established at the factory. However, should Transmitter PA, Synthesizer, or Logic Circuit boards be replaced, it may be necessary to alter the Tracking Data to re-set these parameters properly.

Furthermore, if the Tracking Data is lost, specialized procedures are required to load new Tracking Data. therefore, it is **VERY IMPORTANT** to establish a record of the Tracking Data of every radio as it is received from the factory. The frequencies at which Tracking Data is established are given in the "Test Frequencies" section.

## TEST FREQUENCIES

The following frequencies are those for which Tracking Data is established, and are used as Test Frequencies:

Table 2 - Tracking Data Frequencies (Low Split)

Parameter	RF Power	Modulation Deviation	Squelch Set
f1L (MHz)	136.0000	136.0000	136.0000
f1H (MHz)	N/A	139.9950	N/A
f2L (MHz)	140.0050	140.0050	140.0050
f2H (MHz)	N/A	143.9950	N/A
f3L (MHz)	144.0050	144.0050	144.0050
f3H (MHz)	N/A	147.9950	N/A
f4L (MHz)	148.0050	148.0050	148.0050
f4H (MHz)	153.0000	153.0000	153.0000

Table 3 - Tracking Data Frequencies (High Split)

Parameter	RF Power	Modulation Deviation	Squelch Set
f1L (MHz)	150.0000	150.0000	150.0000
f1H (MHz)	N/A	155.4950	N/A
f2L (MHz)	155.5050	155.5050	155.5050
f2H (MHz)	N/A	161.4950	N/A
f3L (MHz)	161.5050	161.5050	161.5050
f3H (MHz)	N/A	167.4950	N/A
f4L (MHz)	167.5050	167.5050	167.5050
f4H (MHz)	174.0000	174.0000	174.0000

## SETTING TRACKING DATA

Normally, Tracking Data is set at the factory, and need not be re-loaded. However, the following repair situations require re-loading some or all of the Tracking Data:

<u>SITUATION</u>	<u>NEW TRACKING DATA</u>
Replace PA module	RF Power, Squelch (Check: Re-load if necessary.)
Replace TXRX module	RF Power, Modulation Deviation, Squelch, Feature Encryption, and Data Offset
Replace Control Unit module	None
Replace Synthesizer PWB	Modulation Deviation and Data Offset
Replace Logic PWB	RF Power, Squelch, Modulation Deviation, Feature Encryption, and Data Offset.

To re-load Tracking Data, connect the radio in the appropriate configuration as shown in Figures 2 and 3, and perform the following steps:

1. Using the PC Programming Software, make sure the radio is programmed in the following sequence:
  - a. Customer Operational Software (if necessary)
  - b. Tracking Data (First Iteration -- Tracking Data originally shipped with the radio is a good starting point.)
  - c. Feature Encryption File (if necessary). *Note: In order to load an Encryption File into a new Logic PWB, After Market Services must first be contacted at 1-800-368-3277 for authorization code. Otherwise the file will not load.*
  - d. Personality, which contains a Conventional System using the frequencies given in Tables 2 and 3.
2. Connect the radio unit in the normal operating configuration. Activate the radio unit, and, using a Service Monitor HP8920A or equivalent, measure the Transmitter Power, Modulation Deviation, and Squelch Threshold for each of the applicable frequencies given in Tables 2 and 3. Measurements should be within the following limits:

<u>Parameter</u>	<u>Limit</u>
TX Modulation Deviation	
30 kHz channel spacing	4.4 ±0.1 kHz
12.5 kHz channel spacing	2.25 ±0.1 kHz
TX High Power	
110 W Model	110 +4, -0 W
50 W Model	50 +2, -0 W
25 W Model	25 +0, -1 W
TX Mid Power	
25 W Model	15 +.5, -.5 W
TX Low Power	
110 W Model	55 +2, -0 W
50 W Model	25 +1, -0 W
25 W Model	6 +.5 -.5 W
RX Squelch Threshold	8 +1, -0 dB SINAD

3. If measurements are within the limits, the job is complete. If the measurements are not within the limits stated, re-connect the Programming Maintenance Software "MRKMAINT." Display the Tracking Data screen. For those frequencies where measurements are not within the stated limits, enter new Tracking Data, following instructions on the screen. Program into the radio personality, and exit.
4. Repeat Steps 2 and 3 until the measurements at every frequency given in Tables 2 and 3 are within the limits specified.

## TRANSMITTER ALIGNMENT

The Transmitter consists of synthesizer, exciter, and power amplifier. These have been calibrated at the factory so the radio computer automatically adjusts RF power and modulation deviation, based upon Tracking Data. The following adjustments can be made by EGE PC Programming Software:

1. Modulation Deviation -- Change Tracking Data using "MRKMAINT" maintenance software. Follow the procedure given in "TRACKING DATA" section. Be sure to record the new Tracking Data and modulation levels. **DO NOT CHANGE TRACKING DATA UNLESS THE LOGIC OR SYNTHESIZER HAS BEEN REPLACED. DO NOT CHANGE TRACKING DATA FOR ANY FREQUENCY OTHER THAN THAT GIVEN IN TABLES 2 AND 3.**
2. RF Power -- Set RF power for system (EDACS) or channel (CONVENTIONAL) in the radio personality, using "EDACS3" programming software. **DO NOT CHANGE TRACKING DATA UNLESS THE PA MODULE OR LOGIC PWB HAS BEEN REPLACED. DO NOT CHANGE TRACKING DATA FOR ANY FREQUENCY OTHER THAN THAT GIVEN IN TABLES 2 AND 3.**

There are no other adjustments to be made on the transmitter. However, there are components located on the synthesizer and power amplifier, which *appear* to be adjustable. These are summarized as follows:

Synthesizer:	CV240, CV280, RV201
Power Amp - 25 W:	RV1
Power Amp - 50 and 110 W:	RV2

These components have been set at the factory, and are **NOT ADJUSTABLE**. ANY RE-ADJUSTMENT OF THESE COMPONENTS WILL VOID THE WARRANTY OF THIS PRODUCT.

### NOTICE

The components listed above have been set at the factory and are NOT adjustable.

**ANY RE-ADJUSTMENT OF THESE COMPONENTS WILL VOID THE WARRANTY OF THIS PRODUCT.**

## PA TRANSISTOR REPLACEMENT

### WARNING

The RF Power Transistors used in the transmitter contain Beryllium Oxide, a **TOXIC** substance. If the ceramic or other encapsulation is opened, crushed, broken, or abraded, the dust may be hazardous if inhaled. Use care in replacing transistors of this type.

### To Replace the PA RF Transistors

1. Unsolder one lead at a time with a 50-watt soldering iron. Use a scribe or X-acto<sup>®</sup> knife to hold the lead away from the printed circuit board until the solder cools. Remove the mounting screws.
2. Lift out the transistor. Remove any old solder from the printed circuit board with a vacuum de-soldering tool. Special care should be taken to prevent damage to the printed circuit board runs because part of the matching network is included in the base and collector runs.
3. Trim the new transistor leads (if required) to the lead length of the removed transistor.
4. Apply a coat of silicone grease to the transistor mounting surface. Place the transistor in the mounting hole. Align the leads as shown on the Outline Diagram. Then replace the transistor mounting screws using moderate torque (9.4 kg.cm).
5. Solder the leads to the printed circuit pattern. Start at the inner edge of the mounting hole and solder the remaining length of transistor lead to the board. Take care not to use excessive heat that causes the printed

wire board runs to separate from the board. Check for shorts and solder bridges before applying power.

**CAUTION**

Failure to solder the transistor leads as directed may result in the generation of RF loops that could damage the transistor or may cause low power output.

## RECEIVER ALIGNMENT

Alignment of the Front End and Local Injection circuits are not required because band-pass filters are employed in the ORION wide-band synthesized radio receiver.

## TEST EQUIPMENT REQUIRED

- Distortion Analyzer\*
- AC Voltmeter\*
- RF Signal Generator\*
- Frequency Counter (136-174 MHz)\*
- 4-Ohm, 25 Watt Resistor
- Audio Isolation Transformer (1:1)  
19A116736P1 or equivalent \*\*

\* These four items can be replaced with a Service Monitor HP8920A or its equivalent.

\*\* See Figure 4. This is not needed if instrument input is unbalanced with respect to ground.

**NOTE**

Before aligning the receiver or making any adjustments to the radio, be sure that the outputs of the 9 Volt Regulators IC230, IC503, and IC481 are  $9.0 \pm 0.2$  VDC.

## ADJUSTMENT PROCEDURES

### Receiver Frequency Adjustment

No receiver frequency adjustment is required.

### 2nd Receiver Oscillator

Using a frequency counter to monitor Terminal TP5, set L521 for a frequency of 44.645 MHz  $\pm 200$  Hz.

### IF/FM Detector Alignment

Apply a 1000 microvolt, on-frequency test signal modulated by 1000 Hz with standard deviation to antenna jack J1.

Connect a 4-ohm, 25-watt resistor in place of the speaker. Connect the isolation transformer input across the resistor. Connect the isolation transformer output to the Distortion Analyzer (see Figure 4).

Adjust the VOLUME control for 15 watts output (7.75 VRMS) using the Distortion Analyzer as a voltmeter.

Set the output signal level of the RF signal generator so as to obtain 12 dB SINAD at the audio output.

Adjust coils L502, L504, L505, and L507 to obtain minimum 12 dB SINAD.

Set the output signal level of the RF generator to 1000 microvolts.

Adjust L523 for maximum audio output.

Adjust RV501 for XTONEDEC output at ORCC to 500 mVRMS.

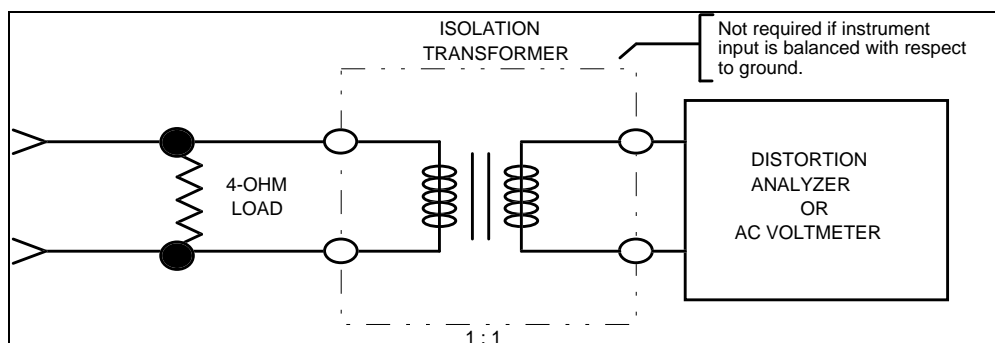


Figure 4 - Audio Isolation Transformer

## SQUELCH ADJUSTMENT

Squelch threshold has been set at the factory to 8 dB SINAD. Adjustment of the threshold requires changing the Tracking Data. To change the Squelch Tracking Data, follow the iterative procedure set forth in the "TRACKING DATA" section, except let the desired squelch threshold level replace the 8 +1, -0 dB SINAD level set at the factory. **BE SURE TO CHANGE THE TRACKING DATA FOR ALL FREQUENCIES GIVEN IN TABLES 2 AND 3.** Otherwise the level will not be consistent across the frequency band.

## TROUBLESHOOTING GUIDE

### INTRODUCTION

This radio is designed to be serviced by replacement of modules and/or circuit boards. As such, there are very few serviceable component parts contained on any of the circuit boards within the radio. Normally, defective boards should be replaced, and returned to an Authorized Service Center. A list of serviceable parts is given in the next section.

## MICROPHONICS

Synthesized radios tend to be sensitive to shock and vibration, creating microphonics. The construction of the ORION radio with its die-cast aluminum frame, cast shield, and multiple board-mounting screws, provides a high degree of immunity. When removing printed circuit boards or shields, note the location of all mounting hardware.

When servicing the radio be sure that no solder build-up has occurred on the chassis or shield.

To assure a high degree of resistance to microphonics be sure to replace exactly, all hardware removed. Be sure that all mounting screws are properly torqued and shields are in place. Refer to the Mechanical Layout Diagram found in LBI-38909.

### NOTE

Loose or rubbing parts, especially in the VCO area, are particularly sensitive and can cause microphonics. Again, be certain all hardware is properly installed and torqued.

**SERVICEABLE PARTS**

**Control Unit - Switch Circuit CDF-368B/M**

	No serviceable parts.	
--	-----------------------	--

**Control Unit - Panel Control CMC-638**

	No serviceable parts.	
--	-----------------------	--

**Remote Control Unit - RIA NQZ-4882**

J2	Connector, 18 Pin	B19/5JBAX00020
----	-------------------	----------------

**Radio Unit - System Control CMC-682**

F601	Fuse, 5 Amp	B19/5ZFAP00008
IC604	AF Power Amplifier	B19/5DAAA00350
J701	Connector, 18 Pin	B19/5JDAG00315

**Radio Unit - IF CMF-135**

	No serviceable parts.	
--	-----------------------	--

**Radio Unit - Synthesizer/Receiver/Exciter CMN-352**

	No serviceable parts.	
--	-----------------------	--

**Radio Unit - Power Amplifier 110 Watts CAH-515H**

C25	Capacitor, 270 pF (136-153 MHz)	B19/5CAAA05042
C25	Capacitor, 220 pF (150-174 MHz)	B19/5CAAA03175
C26	Capacitor, 270 pF (136-153 MHz)	B19/5CAAA05042
C26	Capacitor, 200 pF (150-174 MHz)	B19/5CAAA05122
C27	Capacitor, 200 pF (150-174 MHz)	B19/5CAAA05122
C28	Capacitor, 220 pF (150-174 MHz)	B19/5CAAA03175
C33	Capacitor, Mica, 47 pF	B19/5CMAB01252
C33	Capacitor, Mica, 47 pF	B19/5CMAB01252
HC1	Power Module (136-153 MHz)	B19/5DHAA00049
HC1	Power Module (150-174 MHz)	B19/5DHAA00050
TR2	Transistor, NPN	B19/5TCAF00510
TR3	Transistor, NPN	B19/5TCAF00510

**Radio Unit - Power Amplifier 55 Watts CAH-515L**

C8	Capacitor, 270 pF (136-153 MHz)	B19/5CAAA05042
C8	Capacitor, 220 pF (150-174 MHz)	B19/5CAAA03175
C9	Capacitor, 270 pF (136-153 MHz)	B19/5CAAA05042
C9	Capacitor, 220 pF (150-174 MHz)	B19/5CAAA03175
C159	Capacitor, Mica, 47 pF	B19/5CMAB01252
HC1	Power Module, (136-153 MHz)	B19/5DHAA00051
HC1	Power Module, (150-174 MHz)	B19/5DHAA00052
TR1	Transistor, NPN	B19/5TCAF00510

**Radio Unit - Power Amplifier 25 Watts CAH-515E**

HC1	Power Module, (136-153 MHz)	B19/5DHAA00049
HC1	Power Module, (150-174 MHz)	B19/5DHAA00050

## DIAGNOSTIC PROCEDURES

This product can be easily measured for maintenance using a Communications Service Monitor, of which several models are available. A typical test configuration for the ORION product is shown in Figure 5. It is also

possible to combine this test configuration with the PC Programming configuration shown in Figures 2 and 3. This usually results in increased efficiency, since the service technician can alternate between programming and hardware testing, as the need arises.

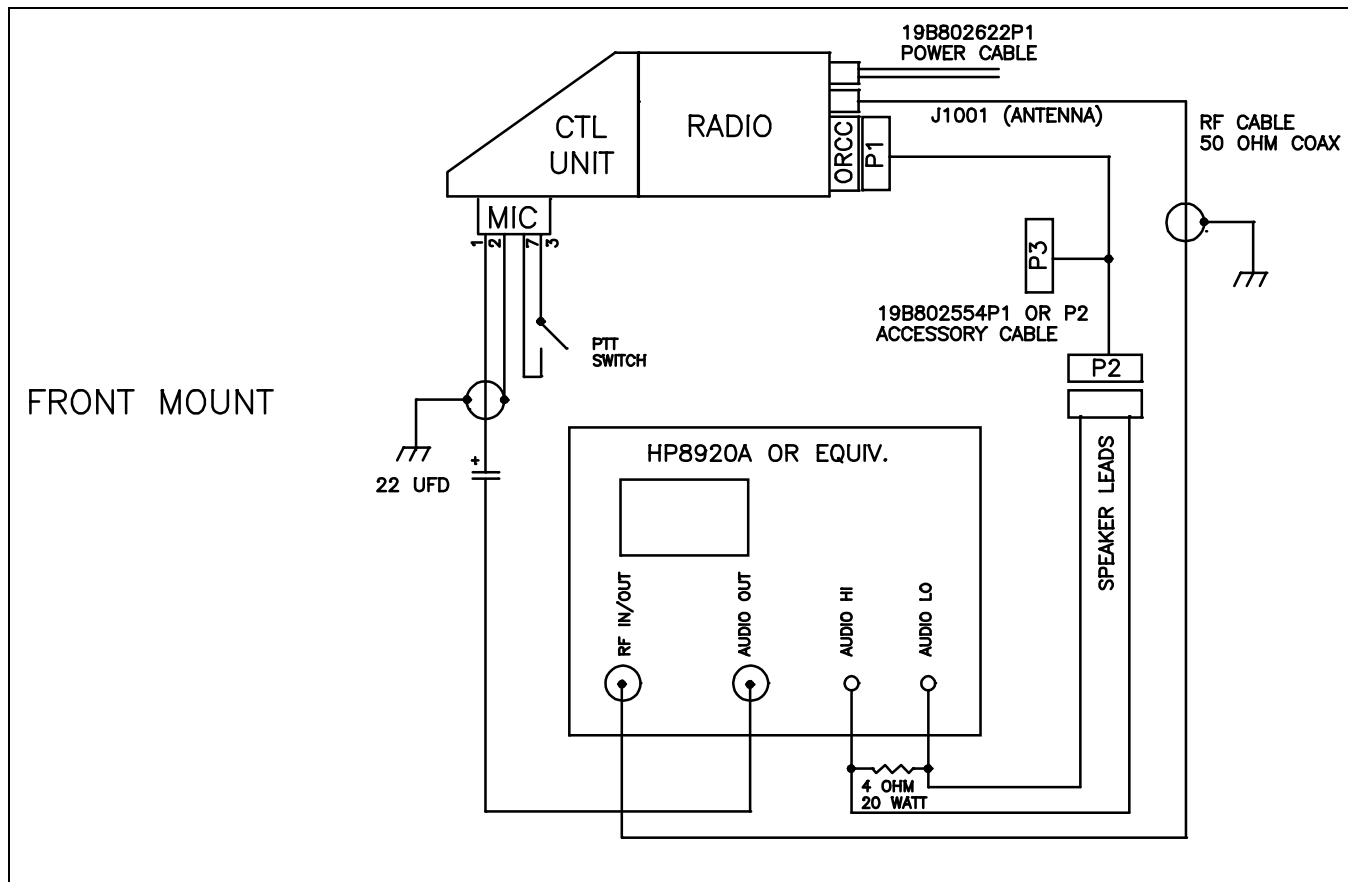


Figure 5 - Typical ORION Test Configuration

**ADDITIONAL TOOLS REQUIRED**

- RF Power Attenuator (30 dB, 150 watt, for transmitters with RF power beyond the capabilities of a Service Monitor)
- Digital Voltmeter
- Oscilloscope (optional)

<b><u>TRANSMITTER</u></b>	
<i><u>SYMPTOM</u></i>	<i><u>DIAGNOSTIC PROCEDURE</u></i>
No RF power output.	<ol style="list-style-type: none"> <li>Program a Conventional System with frequencies given in Tables 2 and 3. Use "EDACS3" PC Programming utility.</li> <li>Check the RF Power Tracking Data, using "MRKMAINT" PC Programming utility. The Data should be the same as that shipped with the radio from the factory. If it has failed, re-enter the Tracking Data using the procedure set forth in the "TRACKING DATA" section.</li> <li>Check TP1 on the Power Amplifier PWB for A+. If it has failed, check the power cable fuse.</li> <li>Key the radio and measure the DC voltage at TP4 (9 VDC typical, when keyed). If it has failed, trace TXENABLE signal back to Logic PWB.</li> <li>Unscrew the PA module from the rest of the radio unit. Remove P1 from J151, and connect an RF wattmeter to J151. Be sure to AC couple J151 to the wattmeter. Key the radio and measure the exciter power at J151. Power should be 400-700 mW. If it has failed, replace the Synthesizer PWB, and reload the Modulation Tracking Data. If this passes, replace the PA PWB.</li> </ol>
Frequency too low/high.	Adjust XU201 on the Synthesizer PWB. If the frequency is still out of specification, replace the Synthesizer PWB.
Low or no modulation.	<ol style="list-style-type: none"> <li>Program a Conventional System with frequencies given in Tables 2 and 3. Use "EDACS3" PC Programming utility.</li> <li>Check the Modulation Tracking Data, using "MRKMAINT" PC Programming utility. Data should be the same as that shipped with the radio from the factory. If this has failed, re-enter the Tracking Data using the procedure set forth in the "TRACKING DATA" section.</li> <li>Apply a 1000 mVRMS, 1 kHz audio signal to the MIC connector Pin 1 (Pin 2 is ground reference). Key the radio (make sure the antenna connector is connected to the proper 50 ohm load). Check for an audio signal at TP202 on the Synthesizer PWB. If this has failed, replace the Logic PWB. Be sure to perform the complete re-programming on the new Logic PWB. If this passes, replace the Synthesizer PWB, and re-load the Modulation Tracking Data.</li> </ol>



<u>RECEIVER</u>	
<u>SYMPTOM</u>	<u>DIAGNOSTIC PROCEDURE</u>
Low RF sensitivity.	<ul style="list-style-type: none"> <li>a. Program a Conventional System with frequencies given in Tables 2 and 3. Use "EDACS3" PC Programming utility.</li> <li>b. Unscrew the PA module from the TXRX module. Disconnect the coaxial cable P2 from J401 on the Synthesizer PWB. Do not disconnect any other cable.</li> <li>c. Set the frequency of the RF signal generator to the middle of the split. Apply a standard RF signal to J401, and measure 12 dB SINAD sensitivity. Sensitivity should be better than 0.29 <math>\mu</math>V. If this passes, replace the PA PWB.</li> <li>d. If this fails, re-align the receiver, as instructed in the "ALIGNMENT" section, and re-check the sensitivity at J401</li> <li>e. If this passes, re-assemble with the PA module and re-check the sensitivity at the antenna connector. If this passes, the job is complete</li> <li>f. If the above fails, substitute a known good Synthesizer PWB, and re-check the sensitivity. If this fails, replace the Logic PWB. Be sure to perform the complete re-programming on the new Logic PWB. If this passes, replace the synthesizer PWB, and re-load the Modulation Tracking Data.</li> </ul>
High audio distortion	<ul style="list-style-type: none"> <li>a. Program a Conventional System with frequencies given in Tables 2 and 3. Use "EDACS3" PC Programming utility.</li> <li>b. Apply a standard 1000 <math>\mu</math>V RF signal [with 1 kHz audio modulation at 3 kHz deviation (1.5 kHz for 12.5 kHz channel spacing)] at one of the programmed RF frequencies in the center of the split to J1001. Set the volume control to produce 15 watts at the 4-ohm speaker load</li> <li>c. Measure the audio distortion at the "VOL HI" output (J1003 Pin 13 referenced to Pin 12). If this passes (3% THD), replace IC604 Audio Power Amplifier on the Logic PWB.</li> <li>d. If this fails, re-align the receiver per alignment procedure. Re-check the distortion at the speaker load or "VOL HI."</li> <li>e. If this fails, replace the Logic PWB. If this passes, the job is finished.</li> </ul>



<u>GENERAL</u>	
<u>SYMPTOM</u>	<u>DIAGNOSTIC PROCEDURE</u>
Any hardware malfunction	<p>PWB substitution is a valid technique for service and repair of the ORION product, since there are only a few circuit boards in the product:</p> <ol style="list-style-type: none"> <li>1. RF Power Amplifier</li> <li>2. Logic/IF/Audio</li> <li>3. Synthesizer/Exciter/RX Front End</li> <li>4. Control Unit Panel Control</li> <li>5. Control Unit Switching</li> <li>6. Control Unit RIA (Remote Only)</li> <li>7. DSP (AEGIS Only)</li> </ol> <p>The service shop should be equipped with a set of the above PWB's which can be used for substitution. Defective PWB's can be isolated simply by substituting one at a time. It is recommended that the Logic PWB used for substitution be pre-programmed with a conventional system and frequency set given in Tables 2 and 3.</p>

## **ERROR CODES**

This section lists all the ORION radio errors and warnings. Each error code in the list includes an explanation of what went wrong and what action to take to correct the problem. The error codes are divided into three different categories:

1. Fatal Operational Error Codes - These are errors that are displayed during the radio normal operation or on the radio power-up (Fatal System Errors). These errors will cause the radio to reset.
2. Non-Fatal Operational Error Codes - These are errors that are displayed during the radio normal operation or on the radio power-up. The radio will not reset.
3. Radio Programming Errors - These are errors that are displayed on the radio or the programming PC display during radio programming.

## **All System Groups ORION**

### **System Errors**

Fatal system errors will cause the radio to display an error message/code and then reset the radio to its starting operation. The reset condition will remain until the fatal error(s) is corrected.

Non-Fatal errors are displayed for a short period (about 2 seconds) then normal radio operation will resume.

The errors are displayed on the radio as shown in Figure 6.

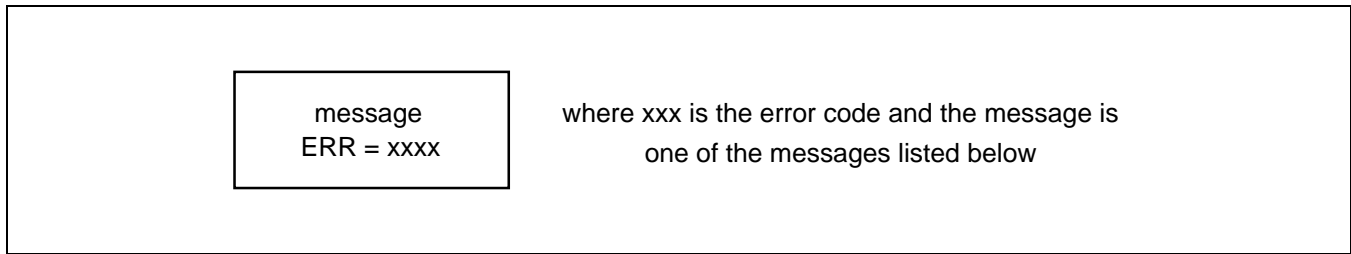


Figure 6 - Error Message/Code Display

<b>FATAL ERRORS</b>	
<u>ERROR MESSAGE</u>	<u>DESCRIPTION</u>
HARDWARE	ROM errors
SOFTWARE	General software failure
TRACKING	Tracking data fatal error
NO LOCK	Synthesizer not locking
FREQDATA	Frequency data fatal error
PERSDATA	Personality errors

<b>NON-FATAL ERRORS</b>	
<u>ERROR MESSAGE</u>	<u>DESCRIPTION</u>
UNKNOWN	
FEAT ERR	Feature encryption error
DSP ERR	DSP error

**ROM Fatal Systems Errors**

ROM fatal errors may be corrected by cycling the radio power (turn it off then on). When the power cycle does not correct the problem the radio must be serviced.

<u>ERROR NAME</u>	<u>MESSAGE</u>	<u>CODE</u>	<u>DESCRIPTION</u>
FATAL_SYS_TRAP	HARDWARE	0	Fatal system error trap number.
FATAL_NMI_ERROR	HARDWARE	1	NMI occurred outside of sleep.
FATAL_RAM_ERROR	HARDWARE	2	8K RAM test error.
FATAL_ROM_CHKSUM	HARDWARE	3	32K ROM checksum test error.
FATAL_FLSH_CHKSUM	HARDWARE	4	Flash checksum test error.
FATAL_ASIC_LOAD	HARDWARE	10	ASIC driver failed initialization.
FATAL_ICP_LOAD	HARDWARE	11	ICP driver failed initialization.
FATAL_ASP_LOAD	HARDWARE	12	ASP driver failed initialization.
FATAL_EE_LOAD	HARDWARE	13	EEPROM driver failed initialization.
FATAL_ICP_PORTNIT	HARDWARE	14	ICP digital I/O initialization failed.
FATAL_INTOUT_LOAD	HARDWARE	15	Standard input/output driver failed initialization.
FATAL_INTIN_LOAD	HARDWARE	16	Standard input driver failed initialization.
FATAL_RADIO_LOAD	HARDWARE	17	RADIO driver failed initialization.
FATAL_MODEM_LOAD	HARDWARE	18	MODEM driver failed initialization.
FATAL_EXTIO_LOAD	HARDWARE	19	External I/O driver failed initialization.
FATAL_SCI_LOAD	HARDWARE	20	Serial communication interface driver failed initialization.
FATAL_ICP_CHKSUM	HARDWARE	21	ICP prom checksum.
FATAL_ADI_NOACK	HARDWARE	30	ADI did not respond to command.
FATAL_ADI_QUUNDERFLOW	HARDWARE	31	ADI Rx circular queue underflowed.
FATAL_LCD_NOACK	HARDWARE	40	LCD did not acknowledge message.
FATAL_LCD_HARD_FAIL	HARDWARE	41	LCD hardware is invalid.
FATAL_SCI_NOHEAP	HARDWARE	50	Serial communication interface out of heap (RAM memory) space.
FATAL_SCI_NOACK	HARDWARE	60	ICP did not acknowledge message.
FATAL_EXTIO_ICPFAIL	HARDWARE	70	ICP failed in a fork.
FATAL_RADIO_ASPWRT	HARDWARE	80	Radio driver could not write to ASP.
FATAL_ROM_NOHEAP	HARDWARE	90	Software memory error - ROM task.
FATAL_BL_NOHEAP	HARDWARE	91	Software memory error - Boot loader.
FATAL_BL_SCI_ATTACH	HARDWARE	92	Boot loader could not attach to SCI.

**Operational Software Non-Fatal System Errors**

<u>ERROR NAME</u>	<u>MESSAGE</u>	<u>CODE</u>	<u>DESCRIPTION</u>
PIFEAT_SNR_ERROR	FEAT ERR	550	Feature encryption - Can not read radio ROM serial number.
PIFEAT_READ_ERROR	FEAT ERR	551	Personality feature encryption read failure or data not available.
PIFEAT_CRC_ERROR	FEAT ERR	552	Decryption failure. Personality feature encryption CRC failure.
RI_DSPDOWN_NOATTEMPT	DSP ERR	850	DSP not found
AEGIS_ADIDOWN_NOTFOUND	DSP ERR	851	DSP file not found.
AEGIS_ADIDOWN_CRCFAIL	DSP ERR	852	DSP file not found.
AEGIS_ADIDOWN_ENCERR	DSP ERR	853	Radio feature encryption does not match DSP file.
AEGIS_ADIDOWN_PMFAL	DSP ERR	854	DSP file is corrupted or hardware failure. RE-program radio or power cycle the radio.
AEGIS_ADIDOWN_DMFAIL	DSP ERE	855	DSP file is corrupted or hardware failure. Re-program radio or power cycle radio.
AEGIS_ADIDOWN_BIOSERR	DSP ERR	856	Hardware failure.
AEGIS_KEYLOAD_NOBANKS	DSP ERR	860	Personality did not assign banks for the keys.
AEGIS_PVT_NONE	FEAT ERR	870	Private is not feature encrypted.

**Operational Software Fatal System Errors**

<u>ERROR NAME</u>	<u>MESSAGE</u>	<u>CODE</u>	<u>DESCRIPTION</u>
RADC_PITD_ERROR	TRACKING	200	Personality tracking data error. Re-program the tracking data.
RADC_PHW_ERROR	PERSDATA	201	Personality hardware data error. Re-program the personality.
RADC_FREQ_ERROR	FREQDATA	202	Personality frequency data error. Re-program the personality.
RADC_PITD_MALLOCC_ERROR	SOFTWARE	203	Personality tracking data malloc error. Re-program the tracking data.
RADC_PITD_CKSUM_ERROR	SOFTWARE	204	Personality tracking data checksum error. Re-program the tracking data.
DACS_NO_LOCK	NO LOCK	300	Synthesizer did not lock or became unlocked. Check the frequencies in the PC programmer and re-program the radio personality.
DACS_MODEM_FATAL_ERROR	SOFTWARE	301	Unable to correctly configure the modem for EDACS operation. Re-program the personality.
DACS_RADC_FAILURE	SOFTWARE	302	Power cycle the radio.
DACS_MODEM_RXOVR	SOFTWARE	304	Hardware Modem overflow. Power cycle the radio.
DACS_MODEM_RXAVR	SOFTWARE	305	Power cycle the radio.
CONV_RADC_ERROR	SOFTWARE	400	Error calling RADC function. Power cycle the radio.
CONV_NOLOCK_ERROR	NO LOCK	401	Synthesizer became unlocked. check the frequencies in the PC programmer and re-program the radio personality.
CONV_PUT_UIMSG_ERROR	SOFTWARE	402	UI message buffer not enabled. Power cycle the radio.
CONV_MODEM_RXOVR	SOFTWARE	403	Conventional DIGV modem overflow.
CONV_MODEM_RXAVR	SOFTWARE	404	Conventional DIGV modem underflow.
CONV_MODEM_FATAL_ERROR	SOFTWARE	405	Unable to correctly configure the modem for conventional DIGV operation.
CONV_PERS_ERROR	PERSDATA	407	Conventional personality error.
PI_NOPERS_ERROR	PERSDATA	500	Personality data is not present. Program the personality.
PI_CRC_ERROR	PERSDATA	501	Flash personality CRC did not match EEPROM. Re-program the personality.
PI_DESC_CRC_ERROR	PERSDATA	502	Crucial personality data has incorrect CRC. Re-program the personality.
PI_MALLOCC_ERROR	SOFTWARE	503	Could not allocate memory to store crucial personality data.
UI_FATAL_DEVICE_ERROR	PERSDATA	600	Input/Output device error.
UI_FATAL_SWTO_MALLOCC_ERROR	SOFTWARE	601	Software memory error.
UI_FATAL_SWTO_MAX_ERROR	SOFTWARE	602	Software error, power cycle the radio.
UI_FATAL_WINDOW_MAX_ERROR	SOFTWARE	603	Too many open windows.
UI_FATAL_WINDOW_MALLOCC_ERROR	SOFTWARE	604	Software memory error.
UI_FATAL_MESSAGE_INVPARAM	SOFTWARE	605	Invalid parameter to UI_PUT_MESSAGE(). software error, report how error was encountered.
UI_FATAL_RI_MSGBUF_FULL	SOFTWARE	606	UI Task message buffer full error. Software error, report how error was encountered.
UI_FATAL_RISYS_MSGBUF_FULL	SOFTWARE	607	Radio Interface System (EDACS/CONV) task message buffer full.
UI_FATAL_CI_MSGBUF_FULL	SOFTWARE	608	CI Task message buffer full.
UI_FATAL_DEVICE_NOTSUPPORTED	PERSDATA	609	I/O device type (from personality) not supported.
UI_FATAL_AUXIO_MALLOCC_ERROR	SOFTWARE	610	Software memory error.
UI_FATAL_NET_DEVICE_ERROR	SOFTWARE	611	Network I/O device error
UI_FATAL_INVALID_CUID	SOFTWARE	612	CU ID is invalid or CU not connected. Insure that CU ID is CUA and DUAL is disabled in personality.
UI_FATAL_NO_TONE_DATA	SOFTWARE	613	No tone data is available in personality.
UI_FATAL_UII0_MSGBUF_FULL	SOFTWARE	614	UI I/O BBOS message buffer full.
AEGIS_ADI_OVERFLOW	SOFTWARE	801	ADI Transmit event not serviced in time and buffer has overflowed.
AEGIS_RXBUF_MALLOCC_ERROR	SOFTWARE	802	No memory available.
AEGIS_KEYLOAD_MALLOCC_ERROR	SOFTWARE	803	No Keyloader table memory available.
AEGIS_KEYLOAD_ERROR	SOFTWARE	804	General Keyload error has occurred.
AEGIS_DATAMEM_MALLOCC_ERROR	SOFTWARE	805	No memory is allocated for data.
AEGIS_KEYLOAD_NOTABL	SOFTWARE	806	No key table was found in EEPROM.

## Radio Programming Errors

Programming errors are divided into three categories:

1. Protocol Errors - These are errors produced by the low level communication routines.
2. Radio Errors - These are errors that are returned from the radio ROM or operating software.
3. PC Errors - These are errors that are produced by the PC Programming software.

<u>MESSAGE</u>	<u>CODE</u>	<u>DESCRIPTION</u>
Successful	0	Command was performed successfully.
Protocol - Canceled by receiver	5	x328 protocol received a cancel. The radio detected a cancel command.
Protocol - Canceled by sender	6	x 328 protocol transmitted cancel. The radio is canceling the read command.
Protocol - Terminate transmission	7	x328 protocol received an end of transmission.
Protocol - Transmit error	8	x328 protocol could not transmit. Reliable communication cannot be established. It could be the radio or PC hardware problems (programming cable, interface box, or radio hardware).
Protocol - Protocol initialization error	9	x328 protocol not initialized or failed to initialize.
Radio - Programmed successfully	10	Radio responded with a success. Radio acknowledged successful programming.
Radio - Comport configuration failed	11	Radio could not configure its comport (hardware failure).
Radio - Flash erase failed	12	Radio failed to erase the flash memory. The radio flash memory part is unusable or it cannot detect the 12 volts power. Check the programming box and cables.
Radio - Flash write failed	13	Radio failed in writing to the flash memory. Retry the programming process (hardware failure).
Radio - Flash code CRC did not match	14	Flash code not programmed correctly. CRC did not match. The operating software will not execute. Re-program the radio.
Radio - Canceled by receiver	15	The radio operating software received a cancel command.
Radio - Canceled by sender	16	
Radio - End of transmission received	17	The radio software received or sent an end of transmission.
Radio - Transmit error	18	Radio could not transmit the required data. Check all hardware connections and try programming again.
Radio - Invalid command	19	Radio did not understand the received command.
Radio - No application code	20	No application code is loaded, the radio cannot accept personality commands. Re-program the operating software (flash code) and re-program the personality.
Radio - Application code error	21	The radio application code failed to perform the command.
Radio - EEPROM programming error	22	Could not program the radio EEPROM part.
Radio - Baud rate has changed	23	The radio acknowledged a successful baud communication baud rate change.
PC - Cannot allocate memory	50	The PC programming software could not allocate adequate memory space to perform the function.
PC - Cannot open data file	51	The specified file (code or personality) could not be opened (file does not exist or has access protection).
PC - Cannot read data file	52	The specified file (code or personality) could not be read.
PC - Cannot write to file	53	The specified file (code or personality) could not be written.
PC - File not found	54	The specified file (code or personality) is not found in the current directory.
PC - File is larger than radio memory	55	The radio flash part size is unknown or the operating software file size is larger than the radio's flash memory size.
PC - Incorrect Tracking Data RF band split	57	Incorrect Tracking Data RF band split.
PC - Incorrect Tracking Data version	58	Incorrect Tracking Data version.
PC - Tracking Data checksum error	59	Tracking Data checksum error.
PC - Time-out, radio not responding	60	Radio is not connected or not turned on or the selected PC comport number is invalid.
PC - Comport configuration error	61	Comport configuration error, cannot set comport.
PC - Abort, message canceled	62	Aborted by operator, message canceled.
PC - Requested personality data does not exist	63	The personality table does not exist (Tracking or Encryption table).

**Ericsson Inc.**  
Private Radio Systems  
Mountain View Road  
Lynchburg, Virginia 24502  
1-800-592-7711 (Outside USA, 804-592-7711)

Printed in U.S.A.



## Free Manuals Download Website

<http://myh66.com>

<http://usermanuals.us>

<http://www.somanuals.com>

<http://www.4manuals.cc>

<http://www.manual-lib.com>

<http://www.404manual.com>

<http://www.luxmanual.com>

<http://aubethermostatmanual.com>

Golf course search by state

<http://golfingnear.com>

Email search by domain

<http://emailbydomain.com>

Auto manuals search

<http://auto.somanuals.com>

TV manuals search

<http://tv.somanuals.com>