



LBI-38557A

*Mobile Communications*

SERVICE SECTION  
FOR  
MPI-II VHF PERSONAL RADIO



Ericsson GE Mobile Communications Inc.  
Mountain View Road • Lynchburg, Virginia 24502

Copyright January 1991, Ericsson GE Mobile Communications, Inc.

Printed in U.S.A.

**Maintenance Manual**

**TABLE OF CONTENTS**

	<u>Page</u>
INTRODUCTION.....	1
DISASSEMBLY PROCEDURE .....	1
TOOLS NEEDED .....	1
BATTERY .....	1
FRONT COVER .....	2
SYNTHESIZER BOARD .....	2
REAR COVER.....	2
BNC CONNECTOR.....	2
UDC COVER.....	2
TOP COVER.....	2
SIDE PANEL.....	2
PERSONALITY PROGRAMMING .....	2
PROGRAMMING .....	2
ALIGNMENT AND TEST .....	2
TEST EQUIPMENT .....	3
TEST SETUP .....	3
TRANSMITTER ALIGNMENT .....	3
RECEIVER ALIGNMENT .....	5
TROUBLESHOOTING .....	5
TRANSMITTER.....	5
RECEIVER .....	6
SYNTHESIZER.....	6
COMPONENT REPLACEMENT .....	7
SURFACE MOUNT COMPONENTS .....	7
SURFACE MOUNT REMOVAL .....	7
SURFACE MOUNT COMPONENT REPLACEMENT.....	8
SURFACE MOUNTED INTEGRATED CIRCUIT REPLACEMENT.....	8
MODULE REPLACEMENT .....	8
PREVENTIVE MAINTENANCE .....	8
BATTERY INFORMATION .....	8
REDUCED CAPACITY .....	8
MODIFICATION INSTRUCTIONS .....	9
FIGURES	
Figure 1 - Removing The Battery Pack .....	1
Figure 2 - Disassembly .....	2
Figure 3 - Test Setup.....	3
Figure 4 - Location Of Tuning Controls And Test Points.....	4
Figure 5 - Reference Oscillator (Input To PLL U201).....	7
Figure 6 - F <sub>in</sub> (Input to U201) .....	7
Figure 7 - Remp (Generated In U201).....	7
Figure 8 - SYN EN (Input To Pin 13 Of U201) .....	7
Figure 9 - Typical Ni-Cad Cell Discharge Curve.....	8
Figure 10 - Alternate IF Option.....	8

**INTRODUCTION**

This service section contains the necessary information to align and troubleshoot the MPI-II (136-174 MHz) Personal Radio. This manual includes steps for disassembly and procedures for replacing surface mount components and integrated circuits. Preventive maintenance checks are provided as well as battery service data. The tests and procedures in this manual are intended to be used by a qualified service technician.

In order to perform many of the following alignments, tests and troubleshooting checks it will be necessary to program the radio's personality EEPROM to tailor the operation of the radio to stipulated requirements. Instructions are offered which include the use of an IBM compatible personal computer and appropriate software. If the radio is properly functioning and has a preprogrammed personality, alignment procedures can be initiated directly.

Conventional testing using the recommended alignment procedures will verify proper operation of all of the radio's circuitry, with the following exceptions:

- Data modulation circuitry in transmit mode
- Data demodulation circuitry in receive mode

**DISASSEMBLY PROCEDURE**

The following section describes how to gain access to the Transmit/Receive Board and the Synthesizer Board for servicing. This section also provides the procedures to disassemble various assemblies from the radio.

**TOOLS NEEDED**

1. No. 7 TORX® screwdriver
2. No. 8 TORX® screwdriver
3. .050 hex tool
4. Flat blade screwdriver
5. ST2312 spanner tool
6. ST2311 spanner tool
7. 5/16 wrench

NOTE:TORX® is a Registered Trademark of Camcar Division of Textron Inc.

**BATTERY**

**CAUTION**

ALWAYS remove the battery pack before disassembling the unit to avoid blowing the fuse or causing other component damage.

1. Turn the radio OFF.
2. Place thumb on bottom of battery pack and press battery pack toward the top of the radio as shown in Figure 1.
3. While pressing the battery pack toward the top of the radio, push bottom of battery pack away from the radio.



Figure 1 - Removing The Battery Pack

**WARNING**

Do not dispose of battery packs or batteries by burning. To do so may cause an explosion.

S  
E  
R  
V  
I  
C  
E  
  
S  
E  
C  
T  
I  
O  
N

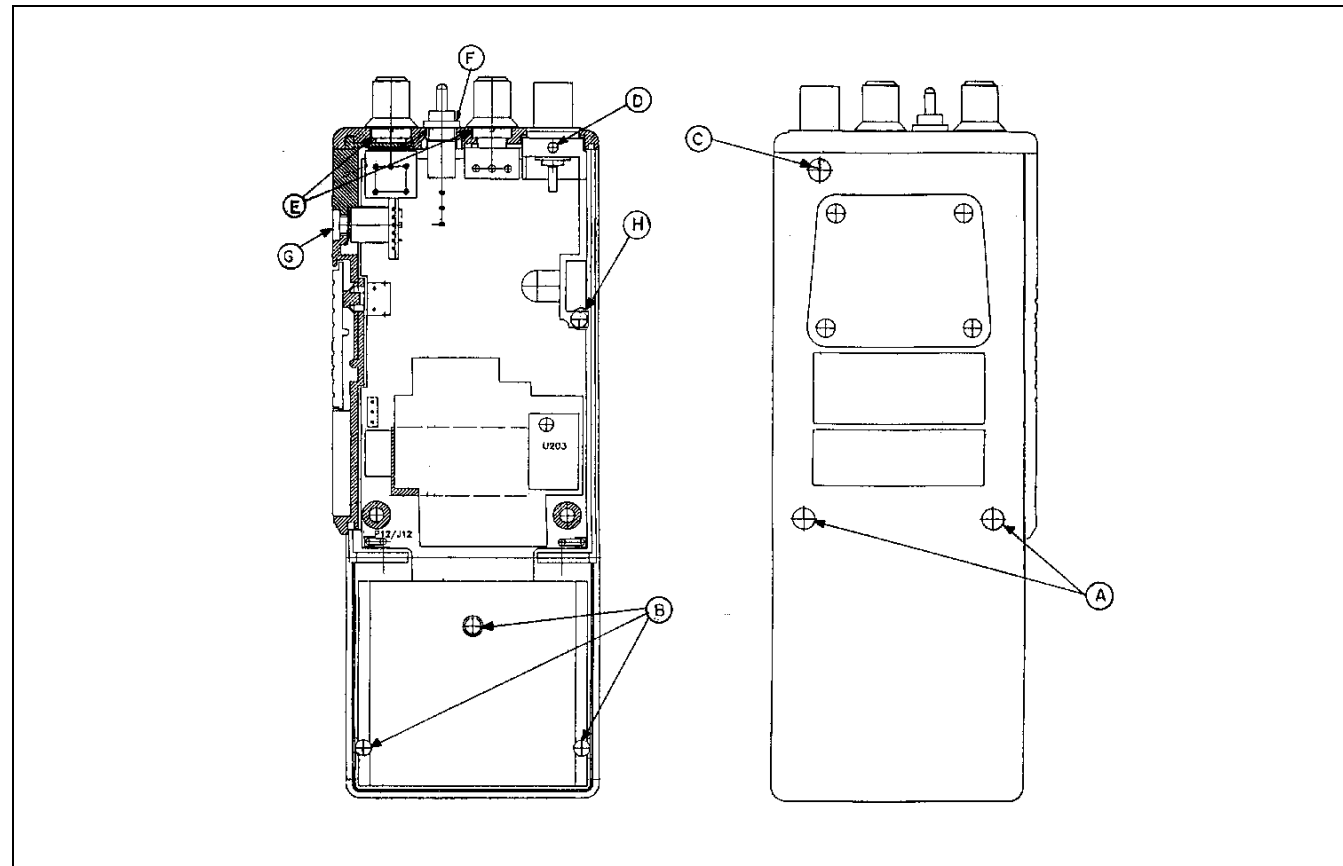


Figure 2 - Disassembly

### FRONT COVER

1. Remove the battery as described in the previous section.
2. Remove the two screws at (A) (See Figure 2).
3. Carefully lift the front cover from the radio.
4. Unplug the cable between the front cover MIC Board and the T/R Board.
5. To gain access to the microprocessor, remove the three screws at (B) and lift up the cover.

### SYNTHESIZER BOARD

The Synthesizer Board may be separated from the Transmit/Receive Board by prying the connectors straight out from the pins.

#### CAUTION

When separating the Synthesizer and Transmit/Receive boards, care should be taken not to bend the connector pins.

### REAR COVER

1. Remove the screw at (C) using a No. 7 TORX screwdriver (See Figure 2).
2. Remove the four M2 pan head screws, 3 at (B) and 1 at (H), on the component side of the T/R Board using a No. 7 TORX screwdriver.
3. The RF Board with the top cover and the side panel attached may now be removed from the rear cover.

### BNC CONNECTOR

1. Remove the No. 3-48 x .125 setscrew (D) using a 0.050 hex tool.
2. Unsolder the BNC center pin from the antenna contact.
3. Remove the BNC connector.

### UDC COVER

Remove the M2.5-0.45 screw using a flat blade screwdriver or the edge of a coin.

### TOP COVER

1. Pull off the two knobs from the ON/OFF/VOLUME and the Squelch control.
2. Remove the Spanner nuts (E) using a Spanner Tool ST2311.
3. Remove the 1/4-40 (F) nut using a 5/16 wrench.
4. Remove the top cover from the T/R assembly.

### SIDE PANEL

1. Remove the two Audio Jack Spanner nuts (G) using a Spanner Tool ST2312.
2. Remove the side panel from the T/R Assembly.

### PERSONALITY PROGRAMMING

The MPI-II Personal Radio is equipped with a 256 x 8 bit serial personality EEPROM. All customer information such as the customer frequencies, customer tones and customer options are stored in the EEPROM. The EEPROM contains all information to tailor the operation of the radio to the user's requirements. The EEPROM is programmed by using an IBM compatible personal computer with MSDOS, Interface Box 19D438367G1, RS-232 Cable 19B235027P1, Programming Cable TQ-3352 and Programming Software TQ-3351.

### PROGRAMMING

The MPI-II radio is programmed through a test cable connected to the accessory connector located on the side of the radio. Power is applied to the battery terminals located on the rear radio assembly. B+ should be 7.5V for a 2 watt radio and 10.0V for a 4 watt radio.

Programming information must be written to the personality PROM before alignment or performance tests. This is always done through the accessory connector and cable. This cable may be attached to the radio and left connected during the entire test procedure.

The assigned frequencies to be used should be programmed into the personality of each 2-channel radio:

First Transmit frequency	Tx F1
First Receive frequency	Rx F1

Second Transmit frequency	Tx F2
Second Receive frequency	Rx F2

The radio's chosen options must also be programmed in:

- Channel Guard (with C.G. frequency)
- No Channel Guard
- Digital Channel Guard (with D.C.G. code)
- Type 99 Tone (with Tone A Frequency, Tone B Frequency)
- Talk-around (enable, disable)
- STE (enable, disable)
- Channel Busy Inhibit (enable, disable)

Detailed programming instructions should be followed as found in the TQ-3351 Programming Manual.

### ALIGNMENT AND TEST

Initially, the Receiver of the MPI-II Personal Radio is aligned and ready for use before leaving the factory. The Transmitter is tuned at the high end of the band, with retuning recommended for optimum operation when another frequency is selected. This section provides procedures for aligning and testing the MPI-II VHF (136-174 MHz) Personal Radio.

Several tests are presented which will help isolate a possible RF or control circuit problem. The control circuits, which are located on the T/R Board, contain no adjustments and there is no alignment required for the control circuits. See the Troubleshooting section for test information if a problem is suspected in the control circuits.

**TEST EQUIPMENT**

**General Equipment**

1. RF Generator (136-174 MHz)
2. Wattmeter (5 watts)
3. Ammeter (2 amperes)
4. Distortion Analyzer
5. Frequency Counter
6. Test Box TQ-0613
7. Test Cable 19C851752P8

**Special Equipment**

1. IBM Compatible Computer with MS-DOS
2. Interface Box 19D438367G1
3. RS-232 Cable 19B235027P1
4. Programming Cable TQ-3352
5. Programming Software TQ-3351
6. Synthesizer Extender Cable
7. Discharge Analyzer
8. Alignment Tool, 0.1" slotted (metal) tips
9. Alignment Tool, 0.1" slotted tips.

**TEST SET UP**

To gain access to adjustable circuit components for alignment of the radio, the front cover must be removed as described in the Disassembly Section. A test setup should be arranged as shown in Figure 3.

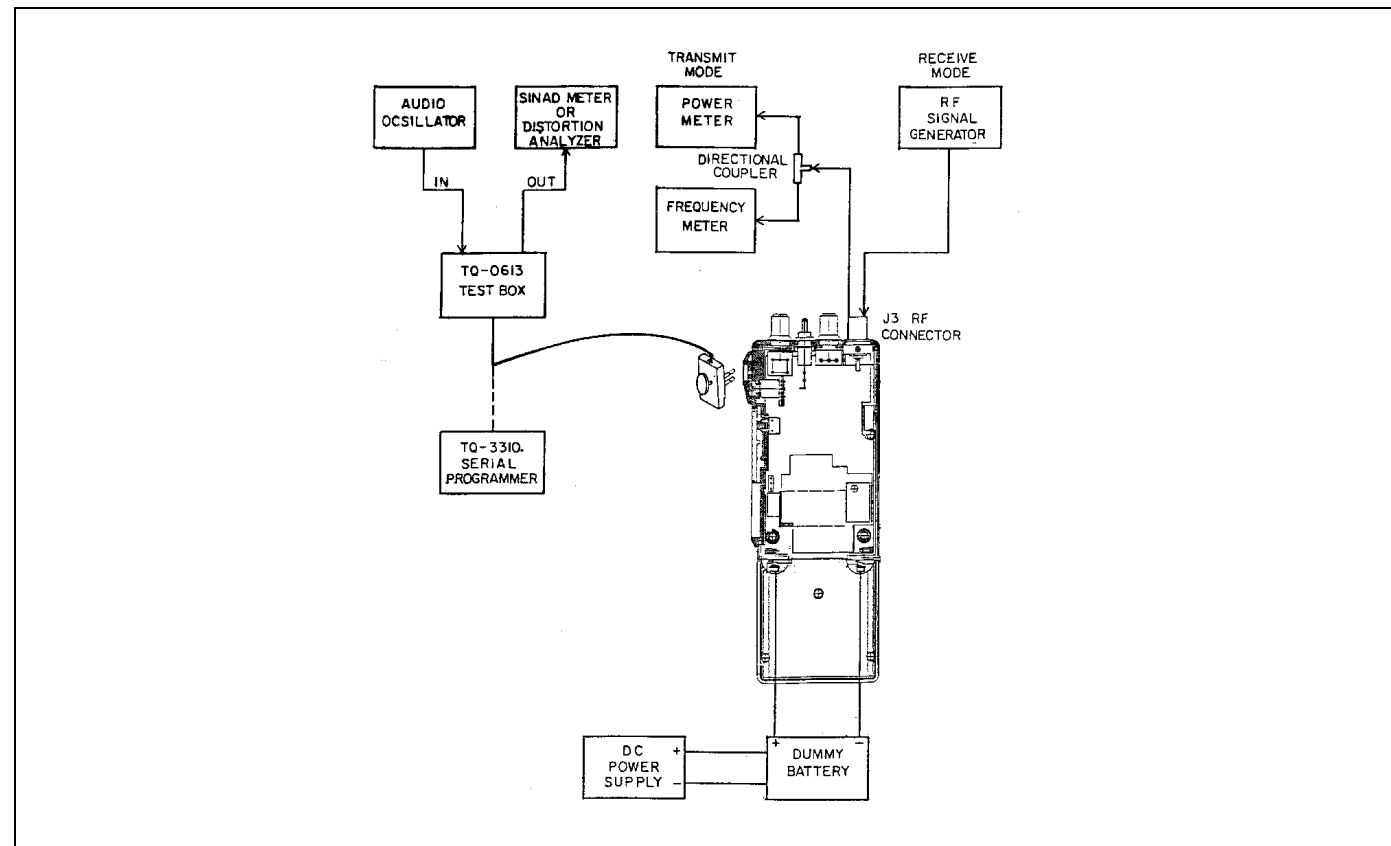


Figure 3 - Test Setup

Connect the leads of the dummy battery to the two battery terminals accessible in the open radio. The external power leads from the dummy battery will be connected later. Connect the TQ-0613 Test Box to the radio using the UDC connector. An audio oscillator can be used as an audio input to the Text Box. Connect a distortion analyzer to the audio output of the Test Box. For transmitter operation, an RF power meter/modulation analyzer should be connected to the antenna connector J3 in place of the antenna. A frequency meter can be coupled to the output using a coaxial directional coupler. For receiver operation a frequency modulated RF signal generator should be connected to J3.

For programming, the TQ-3301 serial programmer would alternatively be connected through the UDC connector on the side of the radio.

Set the DC power supply to 7.5 volts(±0.1 volts) for a 2 watt radio, or 10 volts(±0.1 volts) for a 4 watt radio. Connect the power supply to the dummy battery as shown in Figure 3.

**TRANSMITTER ALIGNMENT**

With the test setup for transmitter operation in place, select the highest transmit frequency and key the radio ON to find an indication of output power on the power meter. See Figure 4 for the location of tuning controls and test points.

**Frequency Set**

Measure the frequency of the RF output signal with the frequency meter. It should be within ±100 Hz of the programmed frequency. Should a small adjustment be necessary, this change can be made by tuning the Reference Oscillator (TCXO) module U203 on the Synthesizer Board.

**Set Transmitter Power**

The following sequence should be followed for maximizing rated output power:

Table 1 - Minimum Output Power

	2 WATT RADIOS	4 WATT RADIOS
Battery or Supply Voltage	7.5 VOLTS	10 VOLTS
Minimum Output Power	1.9 WATTS	3.8 WATTS

1. With the highest transmitter frequency selected, tune C118, C124, C126 for maximum output power measured with the Power Meter. The power out should be greater than 4.5 watts with 10V supply and greater than 2.5 watts with 7.5V supply.
2. Adjust C126 for minimum DC current drain from the power supply until the power output is 4.2-4.3 watts for 10V supplies and 2.2-2.3 watts for 7.5V supplies.
3. Adjust C118 for minimum DC current drain from the power supply until the power output is 4.0-4.1 watts for 10V supplies and 2.0-2.1 watts for 7.5V supplies.
4. Tune C124 for maximum output power.
5. Return C126 for 1050 mA (±10 mA) for 10V supplies and 750 mA (±10 mA) for 7.5V supplies. Check the output power. The output power should be equal to or greater than the minimum power as listed in the table above.

**Customer Programming And Wide Band Tuning**

This section describes the programming and adjustments for wide band tuning. The following steps (1-4) are for preset customer frequencies with:

- Up to 10 MHz spread with no degradation from Pref
  - Up to 17 MHz spread with less than 1 dB of degradation from Pref in the 136-153 MHz band
- or**
- Up to 24 MHz spread with less than 1 dB of degradation from Pref in the 150-174 MHz band

1. **Frequency spreads greater than 10 MHz only** - Program the radio on a channel mid way between the two desired frequencies. Tune the radio by following Steps 1-5 in the Set Transmitter Power section. Then reprogram the customer frequencies and measure the power out on the upper channel. Go to Step 2.

**Frequency spreads less than or equal to 10 MHz only** -Program the radio on the customer frequencies. Tune the radio on the higher frequency channel by following Steps 1-5 in the Set Transmitter Power section.

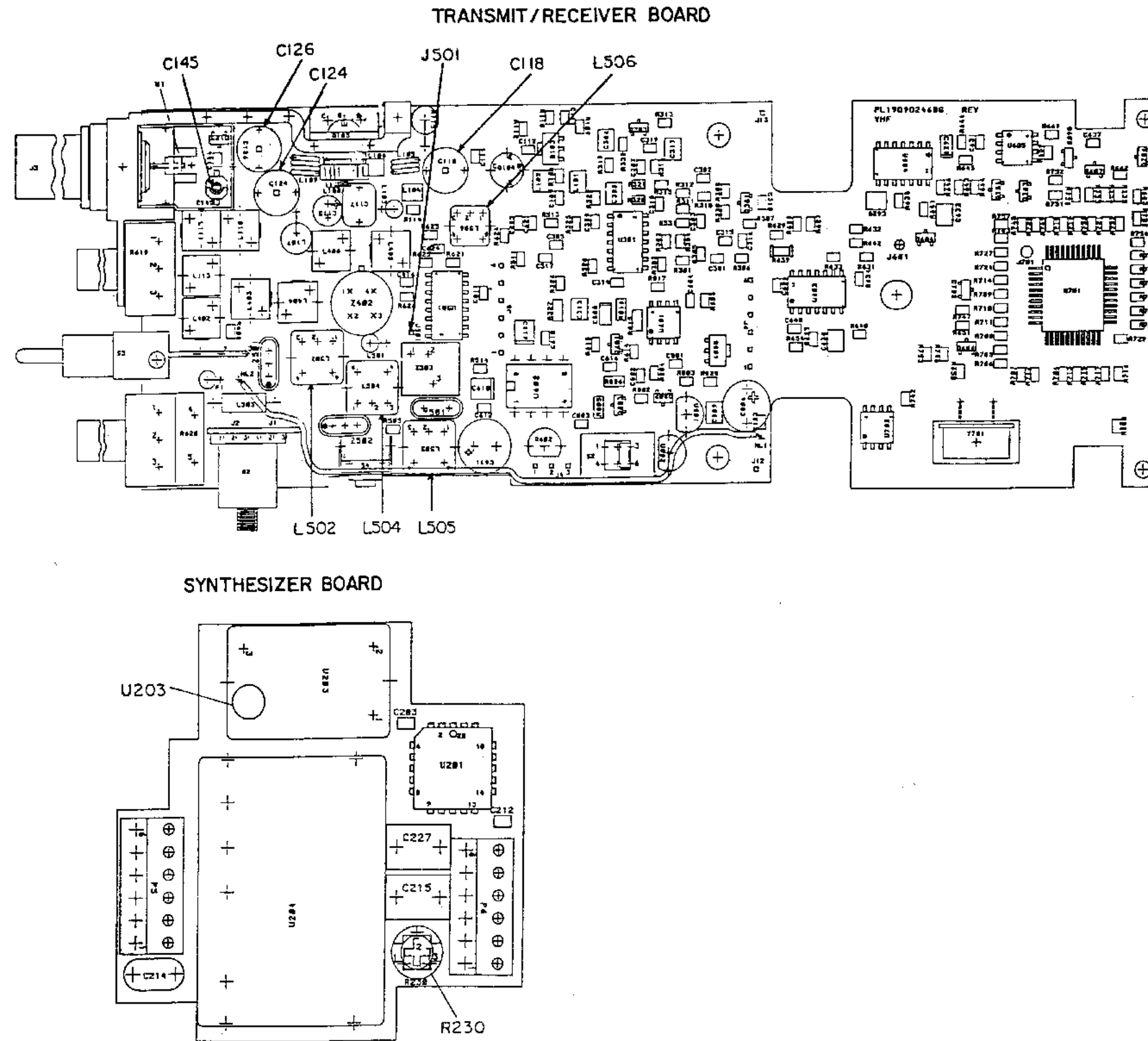


Figure 4 - Location of Tuning Controls and Test Points

2. Check power on the lower channel. Adjust C124 in the direction that increases power output to a level half way between the initial lower and upper channel levels.
3. Recheck the upper channel power. If the upper channel power is reduced, reset to the previous level by adjusting C126.
4. Repeat this procedure until the power out on both channels is equal ( $\pm 1W$ ).
  - For frequency spreads  $\leq 10$  MHz - power out  $\geq$  power minimum
  - For frequency spreads  $> 10$  MHz - power out  $\geq$  power minimum - 1dB

Supply current levels should not exceed 1100 mZ (10V) or 800 mA (7.5V) with wide band tuning.

**TX Modulation Set**

With the transmitter keyed, apply a 1 kHz tone at 100 mV RMS to the MIC input. Adjust R230, located on the Synthesizer Board, until the following peak deviation is measured on the output modulation analyzer:

- With Channel Guard - 4.5 kHz ( $\pm 100$  Hz)
- Without Channel Guard - 3.75 kHz ( $\pm 100$  Hz)

**RECEIVE ALIGNMENT**

Change to a receiver test setup, with a frequency modulated RF signal generator connected to the antenna jack J3. Set the input RF signal to the highest programmed receive frequency and modulate it with a 1 kHz tone at 5 kHz peak deviation. Use a signal level high enough to measure the level of the 455 kHz 2nd IF signal at test point J501 with an RF AC voltmeter. Proceed with the following alignment procedure.

**IF Alignment**

Adjust the RF signal level for linear operation at J501. Tune L502 and L504 for a maximum IF signal level at J501.

An alternate method for making the IF alignment is as follows. Tune L502 and L504 for minimum audio distortion while monitoring the speaker output. Use either 5 kHz or 3 kHz of deviation.

**Second LO Frequency Set**

Remove all modulation from the input signal and increase the level to 0 dBm. Monitor the frequency at J501 and adjust L505 in the crystal oscillator circuit for 455 kHz  $\pm 100$  Hz.

**Quadrature Detector Set**

Modulate the RF input signal with a 1 kHz tone at 3 kHz peak deviation. Load the speaker output at the accessory connector with 8 ohms to ground. Monitor the speaker output from the accessory connector while tuning L506 in the quadrature detector for a maximum audio level.

**L.O. Notch Tuning**

When it necessary to limit the L.O. leakage out the antenna port to a level less than -60 dBm, (Canadian D.O.C. RSS 119, 121 require -53 dBm for portables with batteries, otherwise -57 dBm) the L.O. notch filter may be tuned to the receiver L.O. frequency to meet this requirement. Observe the L.O. signal level at the antenna port on a spectrum analyzer capable of reading -70 dBm. Select the channel with the lower operating receive frequency and tune the notch filter adjustable capacitor (C136) for a minimum level. Check the level on the higher receive frequency. If greater than -60 dBm, turn the capacitor (C136) in the direction that lowers the level to the point that -60 dBm is reached and stop. Recheck the lower receive frequency.

**TROUBLESHOOTING**

This section provides a guide to troubleshooting the MPI-II VHF radio. The following procedures will assist in determining if the problem is in the RF circuits (Transmitter, Receiver or Synthesizer) or the Control circuits. The test set-up should be the same as that used in the Alignment section of this manual.

**NOTE**

Throughout the service procedures, the following information should be observed:

- The bench power should be set for 7.5 Vdc ( $\pm 0.1$  Vdc) for a 2 watt radio, or 10.0 Vdc ( $\pm 0.1$  Vdc) for a 4 watt radio. If a battery pack is used, it should be fully charged. Typical battery pack voltage should be within  $\pm 20\%$  of set voltage over its full discharge cycle.
- Logic Levels should be:
  - Logic 1 = high  $\leq 4.5$  Vdc
  - Logic 0 = low  $\geq 0.5$  Vdc
- Modules are not field repairable. Schematics and Outline drawings for the modules are presented for troubleshooting reference only.
- The personality information stored in the radio should be backed up on the PC computer before any service procedure.

**Documentation To Help In Troubleshooting**

- RX and TX block diagrams with RF gains and levels
- Synthesizer block diagram
- Control Circuits block diagram
- Audio Processing block diagram
- Interconnection diagram
- Outline diagrams
- Schematic diagrams
- Parts lists
- IC data

**TRANSMITTER**

**Transmit Power Output Problem, Inoperative or Low**

1. Power sources and regulated power supplies should be checked before troubleshooting any transmitter problem. The radio's power source, whether a battery or bench power supply, is especially important in

Table 2 - General Troubleshooting Guide

SYMPTOM	POSSIBLE CAUSES
Completely inoperative (no audio)	<ul style="list-style-type: none"> <li>• Dead Battery Pack</li> <li>• Fuse blown</li> <li>• Control circuit problem</li> </ul>
At power-up radio beeps continuously	<ul style="list-style-type: none"> <li>• Weak battery pack</li> <li>• Unit is not programmed</li> <li>• Synthesizer is not locked</li> </ul>
Receiver inoperative or weak	<ul style="list-style-type: none"> <li>• Squelch level set too high</li> <li>• Channel Guard enabled</li> <li>• Defective antenna</li> <li>• T/R Board problem</li> </ul>
Transmitter inoperative or low range	<ul style="list-style-type: none"> <li>• Power levels set too low</li> <li>• Weak battery</li> <li>• Defective antenna</li> <li>• T/R Board problem</li> </ul>
Tx and Rx inoperative on one or both channels	<ul style="list-style-type: none"> <li>• Programming incorrect</li> <li>• Synthesizer problem: VCO, prescaler, or lock detect</li> </ul>

troubleshooting a personal radio. Current consumption offers an excellent clue in the case of a dead or weak transmitter. See Table 3 in the Battery Information section on typical current consumption for different operating conditions. Check supplies as follows:

- a. Check for battery B+ voltage at J12-01, or inside fuse F1/switch S1. It should be present at the driver Q104 and final amplifier Q105, and measure 7.5 Vdc for 2-watt radio, 10 Vdc for 4-watt radio.
- b. Check for presence of B+ SW on buffer amplifier Q106 and predriver Q103. It should switch ON under control of the PTT switch through B+ switch Q805.
- c. Check 5.4 V from 5.4 V regulator, which is required for and available on the Synthesizer board.

2. An early step in troubleshooting for the cause of low RF output power is to check that the programming is correct.

S  
E  
R  
V  
I  
C  
E  
  
S  
E  
C  
T  
I  
O  
N

3. Check for proper operation of the synthesizer. There should be approximately 0 dBm drive level on the SYNTH output line for proper transmit operation. If a Synthesizer problem is suspected, following the suggestions in Troubleshooting Synthesizer section.
4. If current consumption appears normal, and the synthesizer output level is correct, check that the DPTT and BAND SW lines are in the proper state. The problem may be in the antenna T/R switch circuit with diodes D101, D102 or in the antenna connector W1. A problem in the antenna switch circuit or the antenna connector may also cause the receiver to be weak.
5. If the synthesizer drive level seems normal, but current consumption is low, the transistor stages in the transmitter RF chain should next be checked, beginning with the final amplifier Q105.

### Transmit Audio Problem

1. For a transmit audio problem the trouble could be either in the Synthesizer Board or the T/R Board. Monitoring the TX MOD line for correct audio should identify which.
2. If the problem seems to be on the T/R Board, then try the following steps:
  - a. Check to see if the MIC output is reaching the T/R Board.
  - b. Check to see if the audio is present at the pre-amplifier output, collector of Q301.
  - c. Check to see if the audio is present at the audio limiter output, U301-D pin 14.
  - d. Check to see if the MIC MUTE line is in the proper state, low for not muted.
  - e. Check that the  $\overline{\text{PTT}}$  is arriving at the microprocessor U701 pin 7. This is the command to generate the DPTT and BAND SW signals along with the MIC MUTE signal.
3. If Channel Guard is to be transmitted, then:
  - a. Check to see if Channel Guard is being generated at CG ENC output by microprocessor switching outputs U701 pins 34-37.
  - b. Check to see if the Channel Guard signal is at the output of the Tx Channel Guard low pass filter U603-A pin 1.
  - c.

Check to see that Channel Guard signal is at the output of the post limiter filter, U301-A pin 1, or at the TX MOD output.

4. If the TX MOD output is proper from the T/R Board, then check to see if the audio signal is arriving at the Synthesizer Board. If so, on the Synthesizer Board:
  - a. Check to see if the audio is at Mod Pot R230 pin 1.
  - b. Check to see if the audio level at the centertap of Mod Pot R230 changes with pot setting.
  - c. Check that the audio signal is arriving at the VCO U204 pin 3.

### **RECEIVER**

Receiver problems will generally only be found on the T/R Board, in the following sectors:

- Receiver RF circuitry beginning at antenna jack J3
- Receiver IF circuitry, 45 MHz 1st IF and 455 kHz 2nd IF
- Source of audio signals beginning at the quadrature detector output in U501
- Three paths of audio processing beginning with the VOL SQ HI signal:
  1. Voice path, through to the speaker output
  2. Squelch noise path, through to  $\overline{\text{CAS}}$  output
  3. Tone data path, through TN DATA output
- Microprocessor and circuitry controlled by it, including synthesizer
- Speaker, at final output

#### **NOTE**

To facilitate testing of receiver problems, the battery saver mode can be disabled by shorting the TEST input to the microprocessor to ground during power-up. The radio can be taken out of test mode by recycling the power without TEST grounded.

### **Receive Audio Problem, Low Audio Level Or No Audio**

The following steps are suggested to locate the trouble:

1. Be sure the programming is correct.
2. Check to see if the receiver is unscelched with strong on-channel signal: CAS is low, as controlled by SQ POT R619.
3. Check the RX MUTE and  $\overline{\text{MUTE}}$  gates are in correct states.
4. In the voice path check that audio is reaching the output stage U602-B pin 7, and its output on pin 1.
5. Check that power is applied to audio amplifier U602-B pin 2.
6. Check that audio is reaching the speaker through the Accessory Jack Board.
7. Check that when channel guard is used the tones are found on the TN DATA line. When T99 tones are used they should be at TN DATA.
8. Check that data reaches the microprocessor, and that the receiver is unmuted when correct limited tone channel guard data or correct Type 99 tones are decoded.
9. If digital channel guard is being used, check to see if the polarity is correct.

### **Receiver Sensitivity Problem**

1. Check that 5.4 V, RX 5.4 V, SYNTH 5.4 V, and VREF are present where indicated.
2. Check to see if the antenna clip W1 is soldered to the center pin of BNC antenna connector J3.
3. Check that DC voltages in the RF stages are correct. (Refer to the schematic diagram in LBI-38555).
4. Check that RF gains are correct. (Refer to Block Diagram in LBI-38555).
5. Check to see if the first and second LO injection frequencies are correct.
6. Check for proper LO injection signal levels.
7. Check to see if the quadrature detector is tuned for maximum audio output level at the speaker when an input RF signal is modulated with a 1 kHz tone at 3 kHz peak deviation.

8. If a sensitivity problem or a distortion problem remains, then a receiver RF and IF alignment should be done using the recommended procedures in the alignment section.

### **Receiver Squelch Problem**

1. Check for presence of noise at VOL SQ HI line when no received RF carrier is present.
2. In the squelch noise path check for presence of filtered noise at output of high pass filter U501 pin 11.
3. Check to see if the noise level at U501-11 decreases when a RF signal is input to the receiver.
4. With no carrier, be sure noise is present at pin 1 of squelch pot R619, and also at U603 pin 12 when squelch pot is rotated.
5. Check that the DC level of the filtered noise output measured at U603-B pin 6 varies with RF signal level.
6. Make certain that a threshold voltage is present at comparator input U603-B pin 5.
7. Check to see if the  $\overline{\text{CAS}}$  line switches low when a RF signal carrier is introduced.
8. Check that the DC level at the threshold terminal U603-B pin 5 increases when the voltage of the CAS line increases.
9. Make certain that the  $\overline{\text{CAS}}$  line switching voltage reaches the microprocessor input U701 pin 13.

### **SYNTHESIZER**

Troubleshooting the synthesizer circuit consists of first checking for the proper D.C. levels. Then determining if proper waveforms are present and checking individual modules. When the channel switch or the  $\overline{\text{PTT}}$  switch is operated, the SYN ENABLE, SYN DATA and SYN CLK should become active. Monitor these lines and troubleshoot the Transmit/Receive Board if activity does not occur.

### **TX Modulation**

Check to see if the audio is at pin 1 of the Mod Pot R230. The audio level at pin 2 of the Mod Pot should change when the pot is rotated. Finally, check to see if the audio signal is arriving at pin 5 at U206.

## D.C. Analysis

Battery voltage (7.5/10 Volts, B+) is supplied to a 5.4 volt regulator circuit consisting of transistors Q801, Q802 and Q803. Diode regulator U801 provides a 2.5 volt reference for this circuit. Battery voltage (B+) is also supplied to the Synthesizer Board for isolation amplifier U206. the 5.4 volt regulator supplies both the synthesizer and most of the Transmit and Receive circuits.

The BAND SW control input, initiated from the Transmit/Receive Board, is used to bandswitch the VCO. This input is low when receiving and high (greater than 3 volts) when transmitting.

### NOTE

Waveforms associated with the synthesizer were measured with 10 megohms, 30 pF probe using Dc coupling. See Figures 5-8.

## Reference Oscillator U203

Pin 2 of the Phase Lock Loop U201 should have a waveform similar to the one shown for the reference oscillator (Figure 5). If this waveform is not present, oscillator module U203 is probably defective.

## VCO U204

Connect a DC power supply to pin 3 of U204. With 2.0 volts DC on pin 3, the output on pin 5 of U204 should be approximately 140 MHz for the low split and approximately 190 MHz for the high split. With 4.3 volts DC on pin 3, the output should be approximately 220 MHz for the high split.

Power output of the VCO can be measured by connecting a coax cable directly to the module, between pin 5 and ground, through a 100 pF coupling capacitor. The output should be approximately 0 dBm.

## Prescaler U202

Connect 4.3 Vdc to pin 3 to VCO U204. With the radio in receive, monitor the frequencies of the VCO at pin 5 through a 100 pF coupling capacitor. Short pin 6 to U202 to ground to cause divide by 65 to occur. The frequency output at pin 4 should be the VCO frequency divided by 129. Tie pin 6 to pin 2 (5 volts) to cause divide by 64 to occur. Check pin 4 to verify that this occurs. Improper division may indicate a defective prescaler.

## Bilateral Switch U205

Bilateral switch U205 is used to short around parts of the loop filter during channel changes. A shorted gate (to ground or adjacent gate) may be isolated by comparing voltages through the loop filter to those of a functioning radio. Defective gates might be suspected when the radio does not change frequency quickly enough.

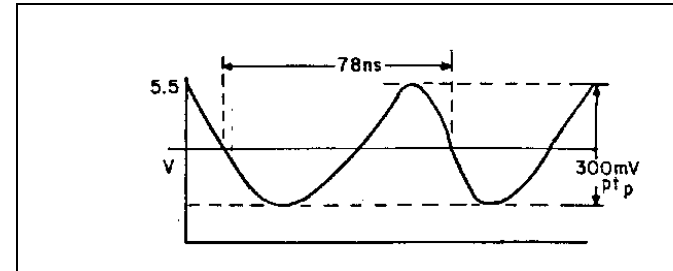


Figure 5 - Reference Oscillator  
(Input to PLL Module U201, Pin 2)

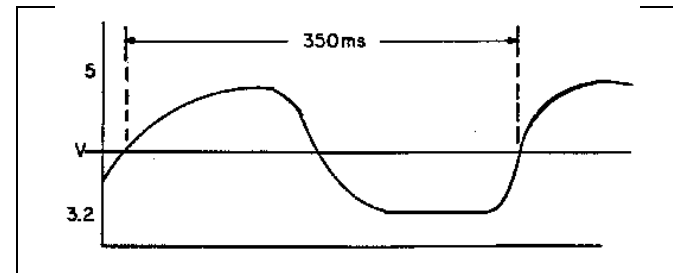


Figure 6 -  $F_{in}$  (Input to U201, Pin 10)

## Transistor Q201

After checking for the proper operation, measure the loss of the VCO, pin 5 to pin 1 of the Prescaler U202. The loss should be 10 dB.

The top of the ramp is approx. 0.8 Vdc greater than the control voltage out on pin 17 of U201.

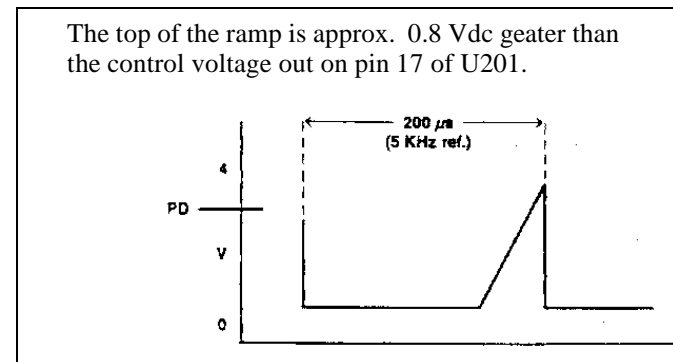


Figure 7 - Remp (Generated in U201 and appears on Pin 15)

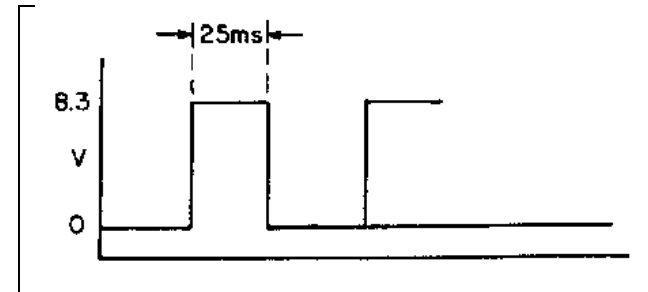


Figure 8 - SYN EN (Input to Pin 13 of U201)

## COMPONENT REPLACEMENT

### SURFACE MOUNT COMPONENTS

Surface mount components should always be replaced using a temperature controlled soldering system. The soldering tools may be either a temperature controlled soldering iron or a temperature controlled hot-air soldering station. A hot-air system is recommended for the removal of components on the multi-layered boards used in the MPI-II radio. With either soldering system, a temperature of 700°F (371°C) should be maintained.

The following procedures outline the removal and replacement of surface mount components. If a hot-air soldering system is employed, see the manufacturer's operating instructions for detailed information on the use of your system.

### CAUTION

Avoid applying heat to the body of any surface mount component using standard soldering methods. Heat should be applied only to the metallized terminals of the components. Hot-air systems do not damage the components since the heat is quickly and evenly distributed to the external surface of the component.

### CAUTION



The CMOS Integrated Circuit devices used in this equipment can be destroyed by static discharges. Before handling one of these devices, the serviceman should discharge

himself by touching the case of a bench test instrument that has a 3-prong power cord connected to an outlet with a known good earth ground. When soldering or desoldering a CMOS device, the soldering equipment should have a known good earth ground.

### SURFACE MOUNT REMOVAL

1. Grip the component with tweezers or small needle-nose pliers.
2. Alternately heat the metallized terminal ends of the surface mount component with the soldering iron. If a hot-air system is used, direct the heat to the terminals of the component. Use extreme care with the soldering equipment to prevent damage to the printed wire board (PWB) and the surrounding components.
3. When the solder on all terminals is liquefied, gently remove the component. Excessive force may cause the PWB pads to separate from the board if all solder is not completely liquefied.
4. It may be necessary to remove excess solder using a vacuum de-soldering tool or Solderwick® Again, use great care when de-soldering or soldering on the printed wire boards. It may also be necessary to remove the epoxy adhesive that was under the surface mount component and any flux on the printed wire board.



## SURFACE MOUNT COMPONENT REPLACEMENT

1. "Tin" one terminal end of the new component and the corresponding pad of the PWB. Use as little solder as possible.
2. Place the component on the PWB pads, observing proper orientation for capacitors, diodes, transistors, etc.
3. Simultaneously touch the "tinned" terminal end and the "tinned" pad with the soldering iron. Slightly press the component down on the board as the solder liquifies. Solder all terminals, allowing the component time to cool between each application of heat. Do not apply heat for an excessive length of time and do not use excessive solder.

With a hot-air system, apply hot air until all "tinned" areas are melted and the component is seated in place. It may be necessary to slightly press the component down on the board. Touch-up the soldered connections with a standard soldering iron if needed. Do not use excessive solder.

### CAUTION

Some chemicals may damage the internal and external plastic parts of the MPI-II unit.

4. Allow the component and the board to cool and then remove all flux from the area using alcohol or another GE approved flux remover.

## SURFACE MOUNTED INTEGRATED CIRCUIT REPLACEMENT

Soldering and de-soldering techniques of the surface mounted IC's are similar to the above outlined procedures for the surface mounted chip components. Use extreme care and observe static precautions when removing or replacing the defective (or suspect) IC's. This will prevent any damage to the printed wire board or the surrounding circuitry.

The hot-air soldering system is the best method of replacing surface mount IC's. The IC's can easily be removed and installed using the hot-air system. See the manufacturers instructions for complete details on tip selection and other operating instructions unique to your system.

If a hot-air system is not available, the service technician may wish to clip the pins near the body of the defective IC and remove it. The pins can then be removed from the PWB with a standard soldering iron and tweezers, and the new IC installed following the Surface Mount Component Replacement procedures. It may not be necessary to "tin" all (or any) of the IC pins before the installation process.

## MODULE REPLACEMENT

The modules, all of which are located on the Synthesizer Board, are very reliable devices. Before replacing any of the modules, check the associated circuitry thoroughly to insure there is not a problem elsewhere. If replacement is necessary, follow the below procedures.

All of the component lead holes on the Synthesizer Board for the modules are plated through from the top to the bottom of the board. This allows for easy removal and replacement of the modules as long as appropriate soldering techniques are observed. Always observe static precautions when handling the board during module replacement.

To remove a module, position the Synthesizer Board in a work vice (face down, chip components up) and remove the solder from the plated-through points at the appropriate pins. If a hot-air system is employed, use an appropriate tip that will localize the heat on the pins and not on surrounding chip components. Solderwick<sup>®</sup> or a vacuum de-soldering iron will also remove the solder if a hot-air station is not available. When all solder has been removed or liquefied, the module should drop out of the eggcrate casting.

To install a module, clean any solder from the plated through holes and clean all flux from the board. Next, install the replacement module making sure that all pins align in the proper holes on the Synthesizer Board. Resolder the pins to the board. Clean the flux from the board using an approved solvent and clip any excess lead length.

## PREVENTATIVE MAINTENANCE

As preventative maintenance to insure that the radio is always operable, regularly schedule the following checks to be made on each radio.

1. Check the condition of and clean electrical connections such as antenna, battery and battery charging contacts.
2. Check RF power output.
3. Check the transmit frequency.
4. Check the transmit modulation.

5. Check the receiver sensitivity.
6. Check receiver audio.
7. If not using speaker/microphone, be sure the Accessory Jack Cover is securely in place.

## BATTERY INFORMATION

The MPI-II radio uses a Nickel Cadmium battery. Two watt radios use a 7.5 volt battery (19D900639G6) and four watt radios use a 10 volt battery (19D900639G7). The batteries are sealed at the factory and are not serviceable other than regular cleaning of the contacts. Table 3 below provides the current consumption for different operating conditions.

Table 3 - Battery Drain

	2 WATT RADIOS 7.5 VOLTS	4 WATT RADIOS 10 VOLTS
Receiver Standby	36 mA	36 mA
Receiver Full Audio	200 mA	200 mA
Transmit	750 mA	1050 mA

## REDUCED CAPACITY

Nickel-Cadmium batteries in some applications can develop a condition of reduced capacity, sometimes called "Memory Effect". This condition may occur when:

1. The battery is continuously overcharged for long periods of time.
2. A regularly performed duty cycle allows the battery to expend only a limited portion of its capacity.

If the nickel-cadmium battery is only sparingly or seldom used and is left on continuous charge for one or two months at a time, it could experience reduced capacity. This would severely reduce the life of the battery between charges. On the first discharging cycle, the output voltage could be sufficiently lowered to reduce the battery's hours of useful service.

The most common method of causing this limited capacity is regularly performing short duty cycles; when the battery is operated so that only a portion (50%) of its capacity is expended. This type of operation can cause the battery to become temporarily inactive and show a severe decrease in the ability to deliver at full rated capacity.

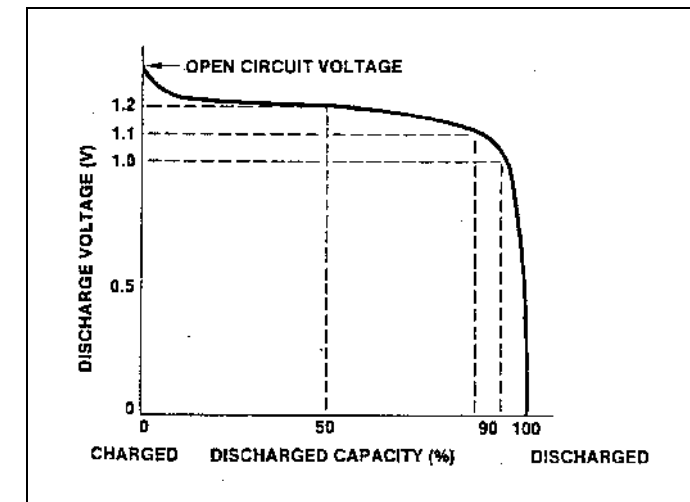


Figure 9 - Typical Ni-Cad Cell Discharge Curve

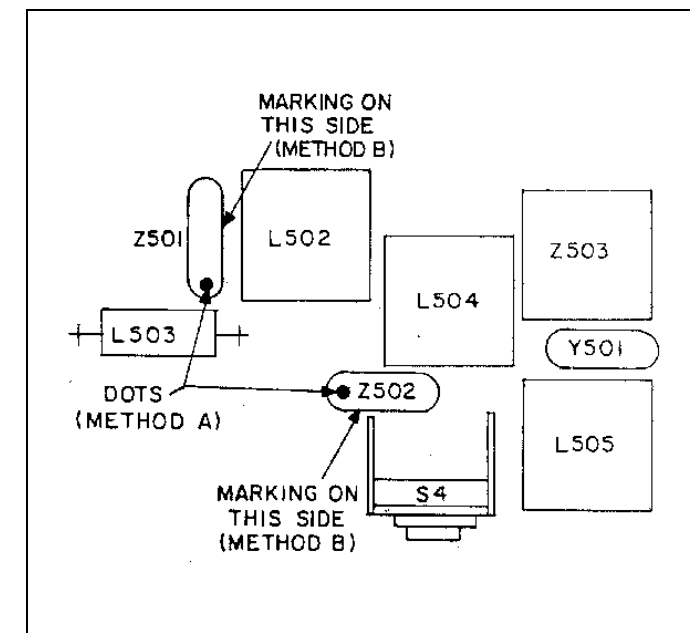


Figure 10 - Alternate IF Option

Any nickel-cadmium battery showing signs of reduced capacity, should be carefully checked before being returned under warranty or scrapped. If reduced capacity is suspected, the following procedure may restore capacity:

1. Discharge the multicell battery at the normal discharge rate until the output voltage is approximately 1 volt per cell. For MPI-II radio batteries this equals 6 volts output for 2 watt radios and 8 volts output for 4 watt radio.

Refer to the typical Ni-Cad cell discharge curve in Figure 9. Note the flatness of the discharge voltage. Discharging below the knee of the curve does not give added service. Experience shows that discharging below 1.0 Volt is not necessary for reconditioning a cell.

2. A full charge cycle using an appropriate Ericsson GE charger.
3. This procedure should be repeated again. Performing the rated discharge and charge cycle at least twice should sufficiently restore the battery.

### **MODIFICATION INSTRUCTIONS (Alternate IF Option)**

To install the Alternate IF Option, follow the instructions shown below:

1. Remove 2nd oscillator crystal unit Y501 and install 45.755 MHz crystal unit (19B233066G18)
2. Remove 1st IF crystal filters Z501 and Z502. Install 45.3 MHz crystal filters (19A705613G26) using one of the following orientation methods:

- a. If there is a dot on top of each crystal filter can, then use these dots to orient filters Z501 and Z502(See Figure 10)
  - b. If either crystal filter can does not have a dot on top, then the side of the can which has the part number printing will be used for orientation. Orient the marking side of Z502 toward L502 and the marking side of Z502 toward PTT switch S4 (see Figure 10).
3. The radio data file must be modified if the Alternate IF option is installed. MPI Synthesized (MPI-II) Radio Programming software version 2.0 or higher must be used to make this change. Toggle the Standrad IF status in the F7 Option field to "NO". Reprogram the radio with the new data file.
  4. Refer to the Receiver Alignment procedure in this manual. Start at the beginning of the Receiver Alignment section and follow the instructions for IF Alignment and Second LO Frequency Set. the remaining sections may be omitted.

## Free Manuals Download Website

<http://myh66.com>

<http://usermanuals.us>

<http://www.somanuals.com>

<http://www.4manuals.cc>

<http://www.manual-lib.com>

<http://www.404manual.com>

<http://www.luxmanual.com>

<http://aubethermostatmanual.com>

Golf course search by state

<http://golfingnear.com>

Email search by domain

<http://emailbydomain.com>

Auto manuals search

<http://auto.somanuals.com>

TV manuals search

<http://tv.somanuals.com>