



SmartSite™ Mini

REARVIEW CAMERA SYSTEM



Features and Monitor Controls

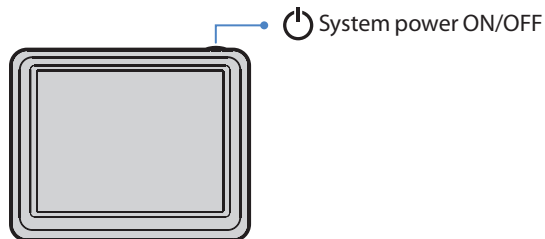
Monitor

Specifically designed for passenger cars, trucks and SUVs.

- Supports single camera input.
- High-low voltage and short-circuit protection.
- Suction cup bracket installation.
- Automatically displays reverse camera view when reverse gear is engaged.

Camera

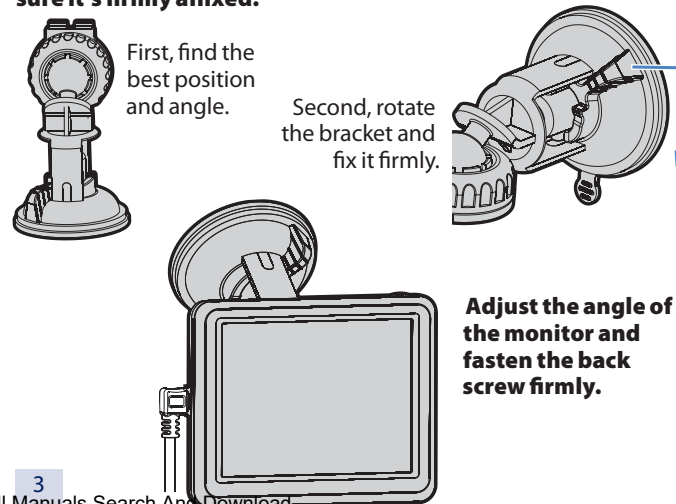
- CMOS camera in mini size.
- Three-color proximity guide.
- Operates over a wide temperature range.



Monitor Installation

- Install the monitor on the windshield of the car.
- Don't install the monitor in an extremely hot or humid place (radiator, air duct, etc.) or in a place subject to direct sunlight, excessive dust, mechanical vibration or shock.
- The monitor is not waterproof.

Attach the supplied bracket to the glass or flat area and make sure it's firmly affixed.



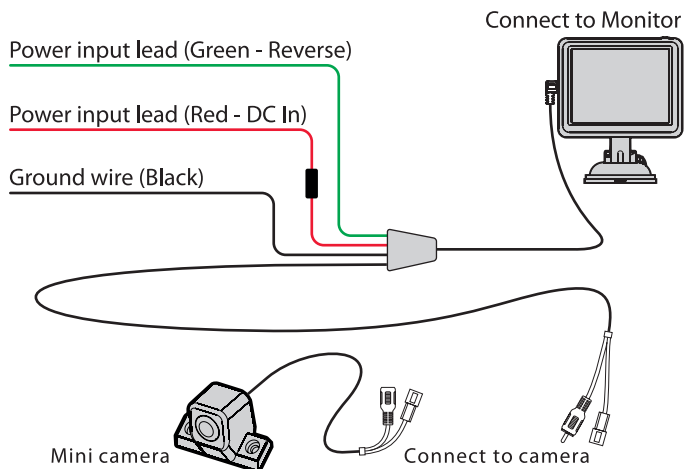
Camera Installation

- Use a silicon waterproof tape to wrap the connector of camera and extension cable to ensure waterproof.
- Protect the cable by using conduit or running the cable inside the vehicle as much as possible.

Connection

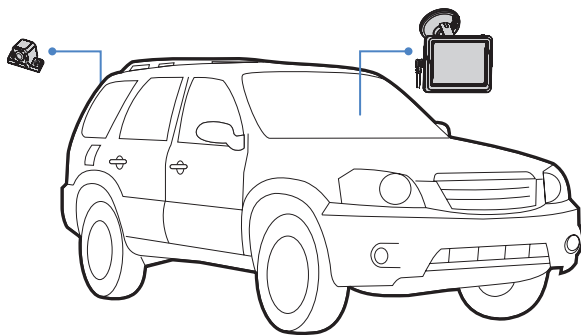
Wiring Diagram

- Connect the **RED** wire to the 12V or 24V DC power terminal which is energized with the ignition key in the accessory position.
- Connect the **BLACK** wire to a suitable negative connection point on the vehicle.
- Connect the **GREEN** wire to the switched power output terminal of the "R" (reverse) gear. Trigger is always in priority.



CAUTION:

- ⚠ Before making connections, disconnect the ground terminal of the car battery to avoid a short circuit.
- ⚠ The plugs should be fully inserted into the connectors or jacks. A loose connection may cause malfunctioning of the unit.



Cleaning and General Maintenance

If your vehicle has been parked in direct sun light resulting in a considerable rise in temperature inside the vehicle, allow the unit to cool off before operating. Clean the unit with a slightly damp soft cloth. Use a mild household detergent. Never use strong solvents such as thinner or benzine as they might damage the finish of the unit.

Cleaning

Unplug or power off before cleaning. Do not use liquid cleaners or aerosol cleaners. Use a damp cloth for cleaning.

Ventilation

Holes in the housing and the back or bottom are provided for ventilation, and to ensure reliable operation of the monitor equipment for protection from overheating. These holes must not be blocked or covered.

Object and Liquid Entry

Never push objects of any kind into the monitor equipment through holes as they may touch dangerous voltage points or short-out parts that could result in a fire or electric shock. Never spill liquid of any kind.

Servicing

Do not attempt to service this system by yourself as opening or removing covers may expose you to dangerous voltage or other hazards. Refer all servicing to qualified service personnel.

Specifications and Service

SPECIFICATIONS

Monitor	
LCD profile widescreen ratio	4:3
Wide view angle (CR)	20/50 (up/down), 40/40 (left/right)
Resolution	230x400 pixels
Brightness (cd/m ²)	250
Contrast ratio	300
Response time (ms) (at 25°C)	20
Power requirement	12VDC, with control box (12/24VDC)
Power consumption	≤2W
Operating temperature range	-20°C to +70°C
Storage temperature range	-30°C to +80°C
Dimensions (mm)	95 (L) x 75 (W) x 16 (D)
Weight (approx.) (gm)	80

SERVICE

To obtain service: Contact ESCORT (800-543-1608) to obtain a Return Authorization Number. Properly pack your product and include: your name, complete return address, written description of the problem with your product, daytime telephone number, and a copy of the original purchase receipt. Label the outside of the package clearly with your Return Authorization number. Ship the product prepaid (insured for your protection) to: ESCORT Inc., 5440 West Chester Road, West Chester, OH 45069.

Out-of-warranty repairs:

For out-of-warranty repairs, include prepayment in the amount you were quoted by the ESCORT Customer Service Representative. If your SmartSite Mini has been damaged, abused, or modified, the repair cost will be calculated on a parts-and-labor basis. If it exceeds the basic repair charge, you will be contacted with an estimate. If the additional payment is not received within 30 days (or if you notify us that you do not wish to have your SmartSite Mini repaired at the price quoted), the unit will be returned without repair. Payment can be made by check, money order, or credit card.

ESCORT Inc.
5440 West Chester Road
West Chester OH 45069
©2012 ESCORT Inc. ESCORT® and SmartSite™ Mini are trademarks of ESCORT Inc.
Features, specifications and prices subject to change without notice.

800.433.3487
www.EscortInc.com

Free Manuals Download Website

<http://myh66.com>

<http://usermanuals.us>

<http://www.somanuals.com>

<http://www.4manuals.cc>

<http://www.manual-lib.com>

<http://www.404manual.com>

<http://www.luxmanual.com>

<http://aubethermostatmanual.com>

Golf course search by state

<http://golfingnear.com>

Email search by domain

<http://emailbydomain.com>

Auto manuals search

<http://auto.somanuals.com>

TV manuals search

<http://tv.somanuals.com>