

SPECIFICATIONS & SUBMITTAL DATA

FEATURES:

- Thermostat, pumps & motor included
- Automatic dump system
- Heavy gauge galvanized steel cabinet
- Electrostatically applied polyester powder coating finish
- Thermoplastic water reservoir and plastic media shield prevent water from contacting metal cabinet
- Stainless steel pump shaft with moisture barrier
- Long life efficient media
- Removable wet section for easier installation
- Perforated prefilter screen provides greater airflow for better cooling
- Low maintenance and trouble free
- Made in the U.S.A.



Project	
Location	
Architect	
Engineer	
Contractor	
Submitted By	Date

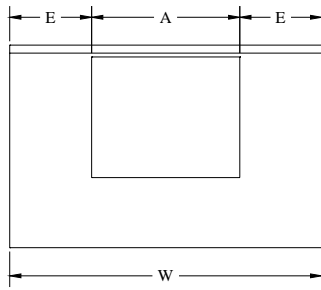
MODELS

- | | |
|------------------|------------------|
| AD1C51 | AD2C51 |
| AS1C51 | AS2C51 |
| AD1C51-12 | AD2C51-12 |
| AS1C51-12 | AS2C51-12 |
| AD1C71 | AD2C71 |
| AS1C71 | AS2C71 |
| AD1C71-12 | AD2C71-12 |
| AS1C71-12 | AS2C71-12 |
| AU1C71-12 | AU2C71-12 |

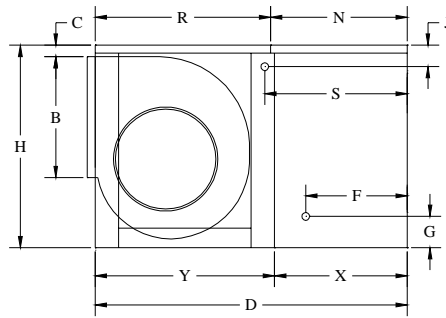
Ref. No.	Cooler Model No.	Qty.	CFM	Static Pressure	Motor	HP	Speed	Volts	Phase	Optional Accesories
1										
2										
3										
4										
5										
6										
7										
8										
9										

Notes

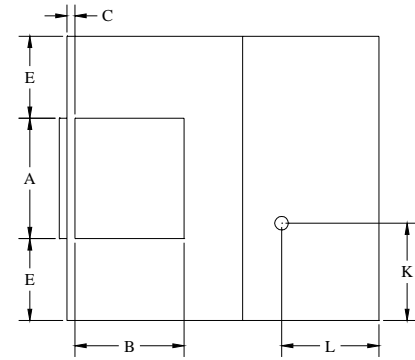
CHAMPION COOLER
 5800 Murray, Little Rock, AR 72209
 1-800-643-8341
 info@championcooler.com



FRONT VIEW



SIDE VIEW



TOP VIEW

CABINET DIMENSIONS*

Model No.	General Dimensions			Duct				Water Service Location		Electrical Service Location		Drain Location		Module Length		Top Pan Length		Belt Length	Blower Wheel			Weight (lbs.)	
				Opening		Location													Dia.	Width	Shaft	Oper.	Ship.
	H	W	D	A	B	C	E	F	G	S	J	K	L	X	Y	R	N						
AD1C51 AD2C51	28	42	45	17 3/4	17 3/4	1 1/2	12 1/8	13	5 3/4	20 3/8	3 9/16	17	14 1/16	18 1/4	26 3/4	25 7/8	19 1/16	53	16	16 3/4	1	258	209
AS1C51 AS2C51	28	42	45	17 3/4	17 3/4	1 1/2	12 1/8	13	5 3/4	20 3/8	3 9/16	17	14 1/16	18 1/4	26 3/4	25 7/8	19 1/16	57	16	16 3/4	1	258	209
AD1C51-12 AD2C51-12	28	42	49	17 3/4	17 3/4	1 1/2	12 1/8	17	5 3/4	24 3/8	3 9/16	17	18 1/16	22 1/4	26 3/4	25 7/8	23 1/16	53	16	16 3/4	1	278	219
AS1C51-12 AS2C51-12	28	42	49	17 3/4	17 3/4	1 1/2	12 1/8	17	5 3/4	24 3/8	3 9/16	17	18 1/16	22 1/4	26 3/4	25 7/8	23 1/16	57	16	16 3/4	1	278	219
AD1C71 AD2C71	34 5/8	42	48	19 3/4	19 3/4	1 1/2	11 1/8	13	5 3/4	20 3/8	3 9/16	17	14 1/16	18 1/4	29 3/4	28 7/8	19 1/16	64	20	16 3/4	1	300	251
AS1C71 AS2C71	34 5/8	42	48	19 3/4	19 3/4	1 1/2	11 1/8	13	5 3/4	20 3/8	3 9/16	17	14 1/16	18 1/4	29 3/4	28 7/8	19 1/16	67	20	16 3/4	1	300	251
AD1C71-12 AD2C71-12	34 5/8	42	52	19 3/4	19 3/4	1 1/2	11 1/8	17	5 3/4	24 3/8	3 9/16	17	18 1/16	22 1/4	29 3/4	28 7/8	23 1/16	64	20	16 3/4	1	327	267
AS1C71-12 AS2C71-12	34 5/8	42	52	19 3/4	19 3/4	1 1/2	11 1/8	17	5 3/4	24 3/8	3 9/16	17	18 1/16	22 1/4	29 3/4	28 7/8	23 1/16	67	20	16 3/4	1	327	267
AU1C71-12 AU2C71-12	34 5/8	42	52	19 3/4	19 3/4	1 1/2	11 1/8	17	5 3/4	24 3/8	3 9/16	17	18 1/16	22 1/4	29 3/4	35 3/16	16 3/4	67	20	16 3/4	1	327	267

ELECTRICAL SPECIFICATIONS

CFM* INCHES STATIC PRESSURE**

Models	HP	Speeds	Phase	Volts	Amps**	0"	0.1"	0.2"	0.3"	0.4"	0.5"	0.6"
AD1C51 AS1C51	3/4	2	1	115	14.9	3788	3630	3450	3260	3020	2806	2570
AD2C51 AS2C51	3/4	2	1	230	7.5							
AD1C51-12 AS1C51-12	3/4	2	1	115	14.9	3606	3472	3317	3135	2918	2661	2379
AD2C51-12 AS2C51-12	3/4	2	1	230	7.5							
AD1C71 AS1C71	1	2	1	115	17.1	5024	4820	4630	4450	4280	4100	3900
AD2C71 AS2C71	1	2	1	230	8.6							
AD1C71-12 AS1C71-12 AU1C71-12	1	2	1	115	17.1	4941	4747	4572	4394	4208	3996	3749
AD2C71-12 AS2C71-12 AU2C71-12	1	2	1	230	8.6							

* All Dimensions in inches.

** Blower motor (high speed) and pumps. Amp rating is Full-Load Amperage per National Electric Code.

*** Cubic feet per minute.

Free Manuals Download Website

<http://myh66.com>

<http://usermanuals.us>

<http://www.somanuals.com>

<http://www.4manuals.cc>

<http://www.manual-lib.com>

<http://www.404manual.com>

<http://www.luxmanual.com>

<http://aubethermostatmanual.com>

Golf course search by state

<http://golfingnear.com>

Email search by domain

<http://emailbydomain.com>

Auto manuals search

<http://auto.somanuals.com>

TV manuals search

<http://tv.somanuals.com>