



20" (50.8 cm) Freestanding Electric Range

PRODUCT MODEL NUMBERS

TEP200VA
TEP222VA

Electrical: If codes permit and a separate ground wire is used, it is recommended that a qualified electrical installer determine that the ground path is adequate and wire gauge is in accordance with local codes.

Range Rating* Specified Rating of Power Supply Cord Kit and Circuit Protection

120/240 Volts	120/208 Volts	Amps
8.0 - 16.5 KW	6.0 - 12.5 KW	40 or 50**
16.6 - 22.5 KW	12.6 - 18.5 KW	50

*The NEC calculated load is less than the total connected load listed on the model/serial rating plate.

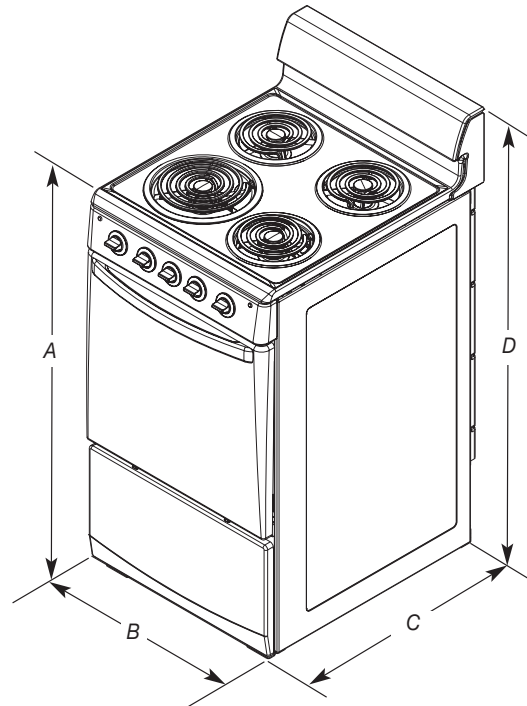
**If connecting to a 50-amp circuit, use a 50-amp rated cord with kit. For 50-amp rated cord kits, use kits that specify use with a nominal 1-3/8" (34.9 mm) diameter connection opening.

A circuit breaker is recommended.

The range can be connected directly to the circuit breaker box (or fused disconnect) through flexible or nonmetallic sheathed, copper or aluminum cable.

The model/serial rating plate is located under the left front burner bowl.

PRODUCT DIMENSIONS



- A. 36" (91.5 cm)
- B. 19½" (49.5 cm)
- C. 24½" (62.2 cm)
- D. 42" (106.7 cm)

CABINET OPENING DIMENSIONS

Cabinet opening dimensions shown are for:

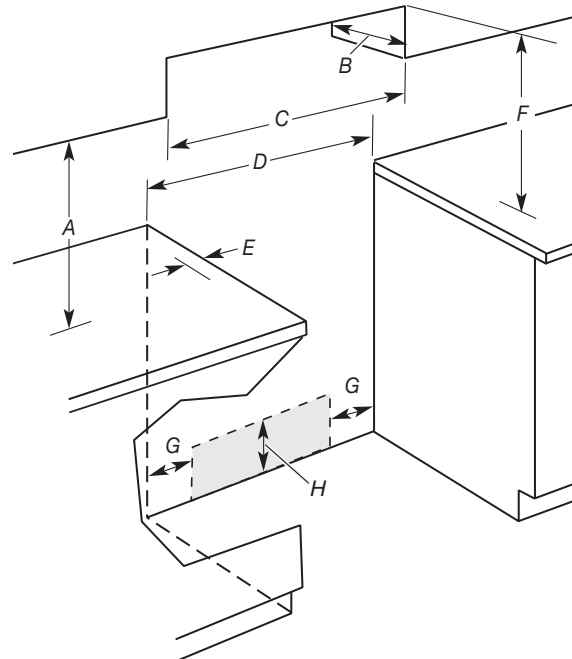
- 25" (63.5 cm) countertop depth
- 24" (61.0 cm) base cabinet depth
- 36" (91.4 cm) countertop height

IMPORTANT: If installing a range hood or microwave hood combination above the range, follow the range hood or microwave hood combination installation instructions for dimensional clearances above the cooktop surface.

NOTE: 24" (61.0 cm) minimum when bottom of wood or metal cabinet is covered by not less than 1/4" (0.64 cm) flame retardant millboard covered with not less than No. 28 MSG sheet steel, 0.015" (0.4 mm) stainless steel, 0.024" (0.6 mm) aluminum or 0.020" (0.5 mm) copper.

30" (76.2 cm) minimum clearance between the top of the cooking platform and the bottom of an uncovered wood or metal cabinet.

To eliminate the risk of burns or fire by reaching over heated surface units, cabinet storage space located above the surface units should be avoided. If cabinet storage is to be provided, the risk can be reduced by installing a range hood that projects horizontally a minimum of 5" (12.7 cm) beyond the bottom of the cabinets.



- A. 18" (45.7 cm) min. clearance upper side cabinet to countertop
- B. 13" (33.0 cm) max. upper cabinet depth
- C. 20" (50.8 cm) min. cabinet opening width
- D. 20 1/8" (51.1 cm) opening width
- E. 5" (12.7 cm) min. countertop space to side wall or other combustible material
- F. For minimum clearance to top of cooktop, see NOTE.
- G. Wall receptacle - 8" (20.3 cm) from either cabinet,
- H. 5½" (14.0 cm) max. from floor. Locate 120/240-volt receptacle in shaded area.

Free Manuals Download Website

<http://myh66.com>

<http://usermanuals.us>

<http://www.somanuals.com>

<http://www.4manuals.cc>

<http://www.manual-lib.com>

<http://www.404manual.com>

<http://www.luxmanual.com>

<http://aubethermostatmanual.com>

Golf course search by state

<http://golfingnear.com>

Email search by domain

<http://emailbydomain.com>

Auto manuals search

<http://auto.somanuals.com>

TV manuals search

<http://tv.somanuals.com>