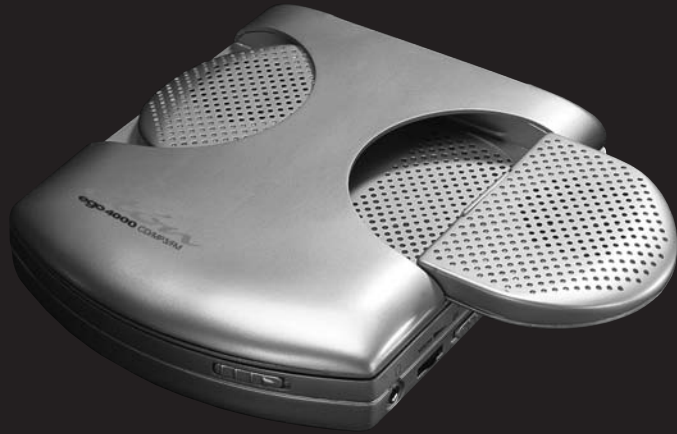


ego 4000 PLUS

OPERATION MANUAL



CD/MP3/AM/FM Travel Clock Radio
with Detachable Speakers

eton
GRUNDIG North America



TABLE OF CONTENTS

DO YOU NEED HELP?

Here's how to contact us:

- From the United States: (800) 872-2228
- From Canada: (800) 637-1648
- From Everywhere Else: (650) 903-3866
- Email: customersvc@etoncorp.com
- Internet: www.etoncorp.com

1	CONTENTS.....	3	7	OTHER FEATURES	23	
2	FEATURES.....	4	• Backlight	24		
3	INTRODUCTION	6	• Sleep Mode	24		
• Location of Controls	6	• Bass Settings	24	8	TROUBLE SHOOTING	25
• LCD Display.....	8	9	CARE AND MAINTENANCE.....	26		
4	INSTALLATION AND CONNECTIONS	10	• CD/MP3 Disc Care Tips	26		
• Connecting Speakers	10	10	IMPORTANT SAFETY INSTRUCTIONS	28		
• Connecting Headphones	10	11	SPECIFICATIONS	29		
5	POWERING THE UNIT	11	12	SERVICE INFORMATION	30	
• Using Batteries	11	13	ONE YEAR LIMITED WARRANTY	31		
• Using AC/DC Adapter	11					
6	OPERATING INSTRUCTIONS	12				
• CD/MP3 OPERATION.....	12					
- Loading Discs	12					
- Playing Discs	12					
- Electronic Shock Protection (ESP).....	12					
- Adjusting Volume	13					
- Equalizer (EQ)	13					
- Pausing Playback	13					
- Stopping Playback	14					
- Skip Search	14					
- Specifying Tracks	14					
- Repeat Play.....	15					
- Intro Scan	15					
- Shuffle Play	16					
- Programmed Play	16					

2 FEATURES

continued

The ego 4000 Plus CD/MP3/AM/FM Travel Clock Radio has the following main features:

CD/MP3 Player:

- **Electronic Skip Protection (ESP)** – saves 40 seconds of CD data and 120 seconds MP3 data for uninterrupted play even when the player is exposed to shocks or vibration
- **MP3 ID Tag Display** – displays the name of the artist and track recorded on MP3 discs
- **Programmable Play** – program and play up to 99 tracks in any sequence you choose
- **Repeat Play** – automatically repeat a single track, a directory (for MP3), or an entire disc
- **Intro Scan** – locate or preview tracks by automatically playing the first 10 seconds of every track
- **Shuffle Play** – play the tracks on a CD/MP3 in random
- **EQ** – choose between DBB, POP, JAZZ, CLASSIC, DISCO or NORMAL audio effects to suit your style or music
- **Skip Search** – quickly locate and play any track on a CD/MP3 discs
- **Audible Search** – locate a particular section of a track by rapidly playing
- **Pause and Cue** – temporarily stop play, or cue a track for play at a latter time
- **Auto Shut Off** – automatically stops the player to help reserve battery power
- **3-Inch Disc Compatible** – play 3-inch CD/MP3 discs
- **CD-R/CD-RW Compatible** – play CD-R and CD-RW discs
- **AM/FM Tuner**
- **FM/AM Station Presets** – store up to 20 FM and 10 AM radio stations in memory, so you can quickly locate favorite stations
- **Automatic Tuning** – search forward or backward quickly to the next station with strong reception
- **Telescopic FM Antenna** – extend and adjust the antenna for optimal FM reception
- **Last Station Memory** – listen to the last station tuned when you power up
- **Stereo/Mono Switch** – select mono or stereo mode when listening in the FM band
- **Area Interchange** – select USA or Europe to receive the radio stations in each region


Alarm Clock:

- **Local/World Time Modes** – choose between local time and world time in cities across the world
- **12/24 Hour Modes** – choose between 12-hour mode or 24-hour mode
- **Dual Alarms** – set two alarms that allow you to wake up to radio, CD, or buzzer
- **Snooze Feature** – snooze for 5 minutes before the alarm reactivates
- **Sleep Mode** – set the sleep function to turn off the player in 15-90 minutes
- **Low Battery Indicator** – reminder to replace drained batteries

General:

- **Detachable Stereo Speakers** – remove and place the quality speaker boxes as you like for optimal listening and performance
- **SRS Audio Process** – creates a realistic surrounding sound experience, deep rich bass, and a wider, more 3D audio performance

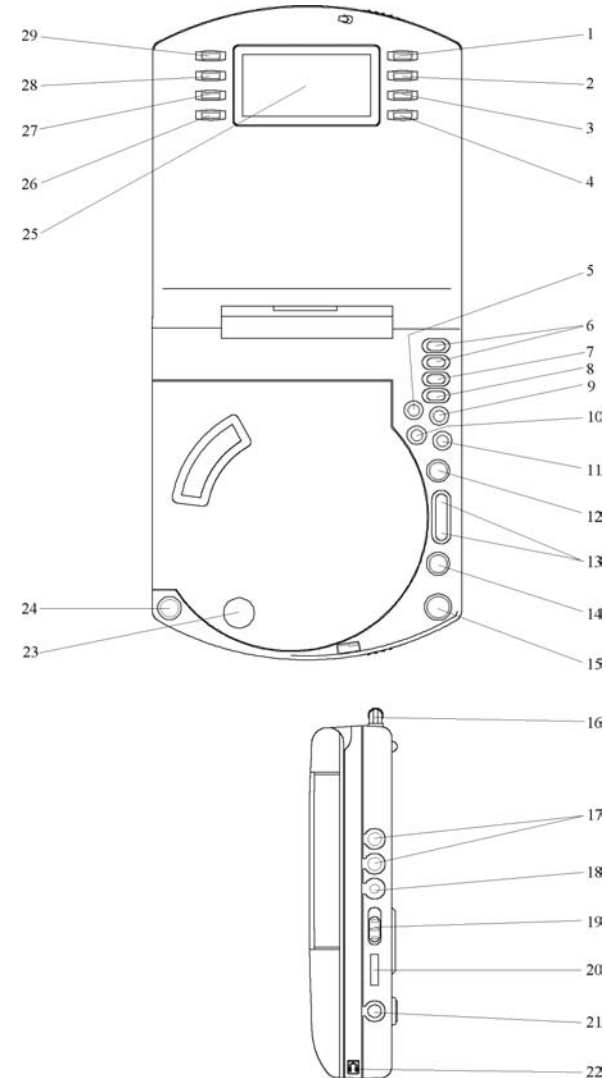


"WOW", SRS and  symbol are trademarks of SRS Labs, Inc. "WOW" technology is incorporated under license from SRS Labs, Inc.

3 INTRODUCTION

LOCATION OF CONTROLS

- 1 **World/Local** – to see the preset local time or world time
- 2 **Set** – to set world/local time, or alarm
- 3-4 **Up/Down** – to select desired time, date, or alarm mode while setting time or alarm
- 5 **SAS/+10** – while playing CD, press to turn ESP on/off; while playing MP3, press this button to skip 10+ tracks
- 6 **Preset+/-** – to select radio station presets for listening
- 7 **St/Mono** – to select the FM stereo or the mono channel
- 8 **Album** – to search the directory of a MP3; in tuner mode, to change the radio area (press 3 seconds)
- 9 **EQ/Prog** – while playing CD/MP3, press to select desired EQ setting (DBB, POP, JAZZ, CLASSIC, DISCO, NORMAL); when CD/MP3 not playing, press to program CD/MP3 playing sequence; in tuner mode, press to set radio stations in memory
- 10 **Tuner/Band** – to switch tuner between AM /FM.
- 11 **Mode** – while playing CD, press to set repeat mode for one track or all tracks; while playing MP3, press to set repeat mode for one track, one directory, or all tracks; when CD/MP3 not playing, press to set Intro or Shuff/Random play
- 12 **Play/Pause** – press to play or pause CD/MP3
- 13 **Scan Up/Down** – press to skip and search CD/MP3 tracks or directory; in tuner mode, press to search desired radio stations or automatically scan stations
- 14 **Stop** – press to stop CD/MP3; in tuner mode, press to power off
- 15 **Snooze** – when alarm is activated, press to snooze for 5 minutes; when alarm is inactive, press to turn on LCD backlighting momentarily
- 16 **Telescopic FM Antenna** – extend and adjust the antenna for optimal FM reception
- 17 **Speaker Jacks** – to connect speaker wires from the detachable speakers boxes
- 18 **DC Jack** – to connect with AC/DC adaptor
- 19 **Bass Selector**– to select TruBass, Stereo, or SRS 3D bass settings
- 20 **Volume** – to adjust listening volume
- 21 **Headphone Jack** – to connect stereo headphone
- 22 **Open Player** – to open player, slide the button towards the arrow
- 23 **Close Lid** – to close lid after inserting CD/MP3 disc
- 24 **Open Lid** – to open lid to insert CD/MP3 disc
- 25 **LCD display** – to view player status and clock
- 26 **Alarm On/Off** – to turn on/off one or all alarms
- 27 **Alarm 1/ Alarm 2** – to set alarm 1/alarm 2, or to view preset alarm 1/alarm 2
- 28 **Alarm Mode** – to activate alarm
- 29 **Sleep** – to set sleep time as 15, 30, 45, 60, or 90 minutes

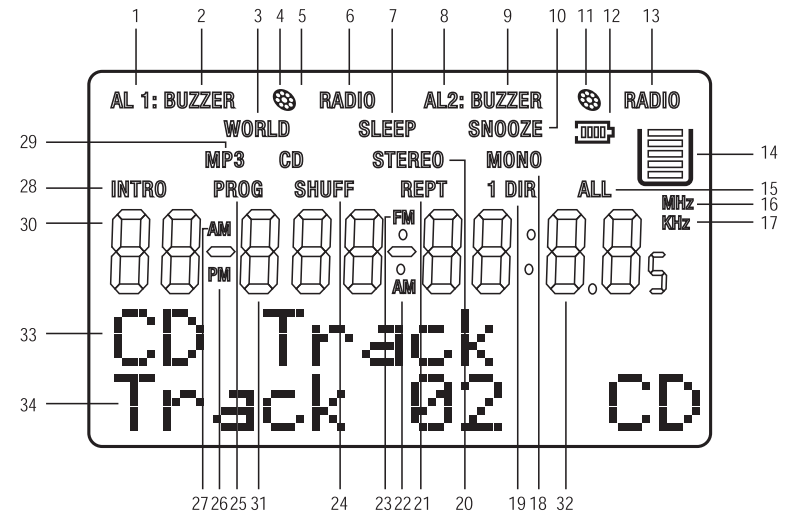


3 INTRODUCTION

continued

LCD DISPLAY

- 1 **AL 1** – indicates when ALARM 1 is activated
- 2/9 **BUZZER** – indicates when buzzer mode is set for Alarm 1/Alarm 2
- 3 **WORLD** – indicates while setting or checking world time
- 4/11 **CD PICTURE** – indicates when CD mode is set for Alarm1/Alarm 2
- 5 **CD** – indicates when it is playing CD.
- 6/13 **RADIO** – indicates when radio mode is set for Alarm1/Alarm 2
- 7 **SLEEP** – indicates when Sleep Timer mode is activated
- 8 **AL 2** – indicates when ALARM 2 is activated
- 10 **SNOOZE** – indicates when Snooze is activated after an alarm
- 12 **Battery Indicator** – indicates when the battery is loaded and flashes when it is weak
- 14 **ESP Indicator** – indicates the memory stored/used while playing a CD/MP3
- 15 **ALL** – indicates repeat ALL tracks mode while playing a CD/MP3
- 16 **MHz** – indicates FM frequency
- 17 **KHz** – indicates AM frequency
- 18 **MONO** – indicates tuner MONO mode
- 19 **DIR** – indicates repeat DIRECTORY mode while playing a CD/MP3
- 20 **STEREO** – indicates tuner STEREO mode
- 21 **REPT 1** – indicates repeat ONE track mode while playing a CD/MP3
- 22 **AM** – indicates AM radio
- 23 **FM** – indicates FM radio
- 24 **SHUFF** – indicates Random mode while playing a CD/MP3
- 25 **PROG** – indicates while programming CD/MP3 sequence or playing the programmed tracks
- 26 **PM** – indicates PM time while setting the clock
- 27 **AM** – indicates AM time while setting the clock
- 28 **INTRO** – indicates when Intro Scan is activated
- 29 **MP3** – indicates while playing a MP3 disc
- 30 **Directory for CDs/MP3s**
- 31 **Track for CDs/MP3s**
- 32 **Time/Elapsed Time for CDs/MP3s**
- 33 **Day of the Week/Album Name for MP3s/CD Indicator**
- 34 **Date/Song, Artist and Sampling Rate for MP3s/Track and Sampling Rate for CDs**



4 INSTALLATION AND CONNECTIONS

CONNECTING SPEAKERS

The player comes with two matched speakers that are detachable. The player may be used with the speakers docked in the lid, or with the speakers detached. You may take remove the speakers from the lid and place them where you like by using the supplied connection wire. Follow these steps to connect the speakers:

1. Press gently and push down to slide the speakers out of the lid.
2. Using the supplied connection wire, connect one end of the wire to the jack on the speaker and the other to the "SPEAKERS L or R" jack on the right side of the player.
3. Swivel out the built-in speaker stands for stability and place the speakers where you like, as permitted by the length of the connection wire.

CONNECTING HEADPHONES

For private listening, you can listen to the player with a pair of stereo earphones or headphones with a 3.5mm plug by plugging it into the headphone jack on the right side of the player.

Listening Safety

To protect your hearing, follow these guidelines when you use earphones or headphones:

- Set the volume to the lowest setting before you begin listening. After you begin listening, adjust the volume to a comfortable level.
- Do not listen to the radio or music at extremely high volume level. Extended high-volume listening can lead to permanent hearing loss.
- Once you set the volume, do not increase it. Over time, your ears adapt to the volume level, so a volume level that does not cause discomfort might still damage your hearing.

Traffic Safety

Do not wear earphones or headphones while operating a motor vehicle or riding a bicycle. This can create a traffic hazard and could be illegal in some areas. Even though some earphones and headphones let you hear some sounds outside when listening at normal volume levels, they still can present a traffic hazard.

5 POWERING THE UNIT

You can power the player from any of these power supplies:

- 4 AA alkaline batteries
- Standard AC power using a DC 7.5V, 800mA AC/DC adapter

USING BATTERIES

Follow these steps to install batteries:

1. Press down and slide the battery door in the direction of the arrow on the cover and lift it up.
2. Place four AA batteries into the compartment as indicated by the polarity symbols (+ and -) marked inside.
3. Replace the battery door.

CAUTION:

- Always use fresh batteries of the specified size by the manufacturer. Do not mix old and new batteries, different types of batteries, or rechargeable batteries of different capacities.
- If you do not plan to use the player with batteries for a month or more, or if you plan to use the AC/DC adapter only, remove the batteries. Unused batteries can leak chemicals that may destroy the electronic parts inside.

NOTE:

- When battery symbol flashes on the display, replace the batteries, as sound may distort or volume weaken.

- When batteries are taken out, the time will be stored in memory for 3 minutes. Please replace batteries quickly to prevent the clock from being reset.
- Dispose of old batteries promptly and properly. Do not burn or bury them.

USING AC/DC ADAPTER

You can power the unit from a standard AC outlet by using the included DC 7.5V 800mA AC/DC adapter

Follow these steps to connect the AC/DC adapter to the player:

1. Insert the AC/DC adapter's plug into the "DC IN 7.5V" jack on the right side of the player.
2. Plug the AC/DC adapter into a standard AC outlet.

CAUTION:

When you finish using AC/DC adapter, disconnect it from AC outlet first, then unplug it from the unit.

NOTE:

Once an AC/DC adapter is connected to the unit, the batteries installed will be disconnected automatically.

6 OPERATING INSTRUCTIONS: CD/MP3

continued

LOADING DISCS

1. To open player, slide **OPEN PLAYER** button towards the arrow.
2. Press **OPEN LID** button on the left front corner of the player to open the disc lid cover.
3. Hold the disc by its edges and carefully place it into CD/MP3 compartment and securely onto the disc spindle with CD/MP3 label-side up.
4. Press **CLOSE LID** position on the disc cover to securely protect the CD/MP3 during playback.

PLAYING DISCS

Press **PLAY/PAUSE** button and the player will start to read information from the loaded disc. The LCD display shows "READING".

- If playing a CD disc, the LCD display will show "CD Track" and list the track number and its elapsed time, while CD playback rate scrolls across the bottom of the screen. The CD and ESP indicators are also shown on the LCD display.

- If playing a MP3 disc, the LCD display will list directory number, track number, track elapsed time, and artist while the track title and play back rate scroll across the bottom of the screen. Playback will begin with the first track of the first directory. The MP3 and ESP indicators are also shown on the LCD display.

NOTE:

Whenever one of the control buttons is pressed, the LCD backlight illuminates for about 4 seconds.

ELECTRONIC SKIP PROTECTION (ESP)

This player contains special circuits to save music into memory and then playback from memory to prevent skipping. For CDs, the memory is for 40 seconds of playback. For MP3s, it is for 120 seconds of playback.

The ESP system is automatically turned on by pressing **PLAY/PAUSE** button. The ESP icon is shown on the LCD display to indicate the amount of memory being stored or used by the player. Please note that memory levels will increase and decrease during playback.

If listening to a CD disc, you may press **SAS/+10** button to turn off the ESP system, which will reflect on the LCD display. To resume the ESP feature, press this button again and look for the ESP indicator on the LCD display.

If listening to a MP3 disc, ESP cannot be turned off. Please note that when playing a MP3, discs will not spin in the player when it's playing from ESP memory. Discs only spin while playing MP3s when the player is reading a disc to store into memory. The ESP icon reflects the changes in memory level while the player goes through this process.

ADJUSTING VOLUME

Rotate **VOLUME** knob as indicated in the right side of the player to adjust volume to a comfortable listening level.

EQUALIZER

While playing CD/MP3s, you may press **EQ/PROG** button to select a pre-programmed equalizer effect to enhance your music. The five settings are: **DBB**, **POP**, **JAZZ**, **CLASSIC**, or **DISCO**. Each successive press of **EQ/PROG** button changes the setting. To select no equalizer effect, choose the "NORMAL" setting.

NOTE:

Only CD/MP3 playback has EQ function.

PAUSING PLAYBACK

To pause temporarily, press **PLAY/PAUSE** button. The elapsed time indicator flashes on the LCD display while the CD disc keeps rotating. While playing a MP3, the disc will stop rotating.

To resume playing, press **PLAY/PAUSE** button again, and the current track number indicates on the LCD display.

OPERATING INSTRUCTIONS: CD/MP3

continued

STOPPING PLAYBACK

CD/MP3 playback stops automatically at the end of the last track or the last track of the last directory. To stop playback sooner, press **STOP** button. If no further action is taken after 30 seconds later, the player is automatically powered off. To power off the unit quicker, press **STOP** button a second time.

When a disc stops, the LCD display shows the total number of tracks and total playing time for CDs. For MP3s, the LCD display also shows total number of directories and tracks.

SKIP SEARCH

To search forward or backward during playing, press and hold down **SCAN UP/DOWN** button. The LCD display will show the elapsed time changing quickly. When the desired point is reached, release **SCAN UP/DOWN** button to resume normal playback.

NOTE: When you search to the end of the last track or the beginning of the first track, it stops automatically.

SPECIFYING A TRACK

CD

To select a desired track, press **SCAN UP/DOWN** button repeatedly until the desired track is found. The LCD display will show the track number as you search.

MP3

While MP3 disc is playing, you may

1. Press **SCAN UP** button repeatedly to skip forward to choose the track or directory desired. Playback will begin automatically.
2. Press **SCAN DOWN** button once to skip backward to the beginning of the current track. Press **SCAN DOWN** button repeatedly to skip backward to choose the track or directory desired. Playback will begin automatically.

When MP3 playback is stopped but power is still on, you may

1. Press **SCAN UP/DOWN** button repeatedly to find out the desired directory or the track.
2. Press **PLAY/PAUSE** button to start play from this track on.

NOTE:

While playing, press **SAS/+10** button to skip forward for 10 tracks each time.

REPEAT PLAY

While playing a CD/MP3 disc, you may press **MODE** button to activate one of three different repeat settings. Each successive press of **MODE** button changes the setting:

1. One-Track Repeat - During playback, press **MODE** button until "REPT 1" indicates on the display. The current track will be repeated continuously.
2. One-Directory Repeat - During MP3 playback only, press **MODE** button until "REPT DIR"

indicates on the display. The current directory will be repeated continuously.

3. All-Track Repeat - During playback, press **MODE** button until "REPT ALL" indicates on the display. All tracks will be repeated continuously.

INTRO SCAN

You can preview the first 10 seconds of each track to conveniently search for your desired track. Follow the steps below to initiate Intro Scan playback:

1. Stop playback by pressing **STOP** button.
2. Press **MODE** button until "INTRO" indicates on the display.
3. Press **PLAY/PAUSE** button, and Intro Scan starts at once from the first track.
4. To cancel Intro Scan, press **STOP** button.

OPERATING INSTRUCTIONS CD/MP3

continued

SHUFFLE PLAY

You can have the player play all tracks randomly with the Shuffle Play feature. Follow the steps below to initiate Shuffle Play:

1. Stop playback by pressing **STOP** button.
2. Press **MODE** button until "SHUFF" indicates on the display.
3. Press **PLAY/PAUSE** button, and Shuffle Play starts at once.
4. To cancel Shuffle Play, press **STOP** button.

PROGRAMMED PLAY

You can program up to 99 tracks to play in any order you choose. The same track can be programmed for more than once.

To program a CD/MP3 playback sequence:

CD

1. Stop playback by pressing **STOP** button.
2. Press **EQ/PROG** button until "PROG" indicates on the display along with "PROGRAM: 01".

3. Press **SCAN UP/DOWN** button repeatedly to find the track to be programmed.
4. Press **EQ/PROG** button again to save it as "PROGRAM: 01" then "PROGRAM: 02" etc.
5. Press **PLAY/PAUSE** button to play the programmed track while "PROG" is shown on the LCD display.
6. Repeat steps 1 to 5 to program all tracks up to 99 tracks.

MP3

1. Stop playback by pressing **STOP** button.
2. Press **EQ/PROG** button until "PROG" indicates on the display along with "PROGRAM: 01".
3. Press **ALBUM** button to select the desired directory.
4. Press **SCAN UP/DOWN** button repeatedly to find the track to be programmed.
5. Press **EQ/PROG** button again to save it as "PROGRAM: 01" then "PROGRAM: 02" etc.
6. Press **PLAY/PAUSE** button to play the programmed track while "PROG" is shown on the LCD display.
7. Repeat steps 1 to 7 to program all tracks up to 99 tracks.

To play the programmed sequence:

Press **PLAY/PAUSE** button while "PROG" is shown on the LCD display.

While playing, you can press **SCAN UP/DOWN** button to skip forward or backward, and you can also set repeat playback for one or all the programmed tracks by pressing **MODE** button.

After the last programmed track is played, the player will stop automatically.

To clear a programmed sequence:

1. Press **STOP** button while a programmed sequence plays, and the PROG indicator will disappear from the display, or
2. Open the disc cover by pressing **OPEN** button, or
3. Unplug the AC/DC adaptor to turn off the unit.

OPERATING INSTRUCTIONS: AM/FM TUNER

continued

LISTENING TO THE RADIO

1. Press **TUNER/BAND** button to turn on the tuner. Whenever the tuner is turned on, it always begins at the last listened station.
2. Press **TUNER/BAND** button repeatedly to select either AM or FM band.
3. Use one of following methods to tune for the desired station. The display shows the tuned frequency.
 - Memory Tuning: Press **PRESET+ / PRESET-** buttons. When one of the preset stations is selected, the LCD shows channel number "CHO" and frequency "FM---MHz/AM---KHz". There are 20 stations presets for FM and 10 station presets for AM.
 - Manual Tuning: Press **SCAN UP/DOWN** buttons with quick, short presses to manually tune upward or downward to the desired radio station.

- Automatic Tuning: Press **SCAN UP/DOWN** or **MODE** button with a long press to automatically tune upward or downward to the next station with strong reception. Press **EQ/PROG** twice or **STOP** button once to stop automatic tuning.

NOTE:

- For better FM reception, extend and adjust the telescopic FM antenna to optimize reception.
- While listening to stereo FM broadcasting, if the signal is strong enough, "STEREO" indicator will appear on the LCD display. If reception is poor or noisy, you may press **ST/MONO** button to turn it to MONO broadcasting. When MONO is selected, reception will be better, and "MONO" appears on LCD display.
- Press **STOP** button to turn off the radio.

STORING STATION MEMORIES

You can store up to 20 FM stations and 10 AM stations in memory. Follow steps below to set station memory presets:

1. Press **TUNER/BAND** button repeatedly to select either AM or FM band.
2. Press **SCAN UP/DOWN** button to tune for the desired station.
3. Select the desired memory with **PRESET+ / PRESET-** buttons. Once the desired memory is selected, press **EQ/PROG** button to save the memory.
4. Repeat steps 1 to 3 to store other stations into memory.

RETRIEVING STATION MEMORIES

1. Press **TUNER/BAND** button to select either AM or FM band.
2. Press **PRESET+ / PRESET-** buttons to find the preset station stored in memory that you wish to hear.
3. Stop at the preset station desired and the station will begin play automatically.

OPERATING INSTRUCTIONS: CLOCK/ALARM

continued

SETTING LOCAL TIME AND DATE

Once the power supply is connected initially or after an extended period of non-use, the LCD display indicates "00:00 SATURDAY JAN/01/2000". You can select from numerous cities around the world to serve as your local time zone. Once your local time is set, the player can automatically tell you the time in different cities around the world. Follow the steps below to set local time and date:

1. Press **WORLD/LOCAL** button for three seconds until a city name appears on the display.
2. Press **UP/DOWN** buttons to select your local city name or time zone.
3. Press **SET** button for two seconds to save. The city name changes to day of the week on the LCD display.
4. Press **SET** button again and the city name reappears. Display starts to flash year.
5. Press **UP/DOWN** buttons to select correct year.
6. Press **SET** button again to save year setting. Display starts to flash the month.

7. Press **UP/DOWN** buttons to select correct month.
8. Press **SET** button again to save month setting. Display starts to flash the day.
9. Press **UP/DOWN** buttons to select correct day.
10. Press **SET** button again to save date setting. Display starts to flash the hour.
11. Press **UP/DOWN** buttons to select correct hour.
12. Press **SET** button again to save hour setting. Display starts to flash the minute.
13. Press **UP/DOWN** buttons to select correct minute.
14. Press **SET** button again to save minute setting. The time and date are set.

VIEWING WORLD TIME

To view world time, press **WORLD/LOCAL** button repeatedly until the desired city name indicates, then world time will be shown for about 4 seconds. The "WORLD" indicator will flash at the same time on the display.

SELECTING HOUR MODE

This player has the choice of 12 or 24 hour clock modes that can be changed when the player is turned on or off. Follow the steps below to select the hour mode:

1. Press **SLEEP** button for about three seconds, **HOUR MODE** appears on the display.
2. Press **UP/DOWN** buttons to select 12 HOUR or 24 HOUR mode then press **SET** button to save it.

ALARM

Setting Alarm Time:

Follow the steps below to set Alarm 1/Alarm 2 time:

1. Press **ALARM 1/ALARM 2** button to select Alarm 1 or Alarm 2.
2. Press **SET** button and the hour indicator flashes.
3. Press **UP/DOWN** buttons to select desired hour number.
4. Press **SET** button again to save and the

minute indicator flashes.

5. Press **UP/DOWN** buttons to select desired minute number.
6. Press **SET** button again to save minute time and the alarm time is set.
7. Press **ALARM ON/OFF** button until the correct alarm on/off sequence is found then press **SET** button to save or cancel. The "AL 1 or AL 2" icon will indicate accordingly on the display.

NOTE:

After the alarm is set, the LCD display shows the setting for about ten seconds before resuming to the local time clock.

Activating/Deactivating Alarm

Follow the steps below to activate/deactivate Alarm 1/Alarm 2:

1. Press **ALARM ON/OFF** button once to see "Alarm 1" and "Alarm 2" on display.
2. Either press **ALARM ON/OFF** button repeatedly or press **UP/DOWN** buttons to find the desired alarm setting combination.

OPERATING INSTRUCTIONS: CLOCK/ALARM

continued

3. Press **SET** button to save settings or just release buttons to save settings. The corresponding alarm icons will indicate on the display.
 4. When the alarm sounds, press any button for buzzer or **STOP** button for CD/MP3 or radio alarm to deactivate the alarm. Otherwise all alarms automatically shutoff in 5 minutes if not manually deactivated before.
- Ensure player displays local time clock before activating alarms. It takes 5 seconds to resume local time clock after setting clock/alarm or viewing alarm setting.
 - The volume of the CD/MP3 alarm is at previous listening level. Remember to check listening level when setting alarms to ensure it is the appropriate volume as an alarm.

Setting Alarm Mode

The default alarm mode is buzzer but this can be changed to CD/MP3 alarm or radio alarm as well.

Follow the steps below to change alarm mode:

1. Either press **ALARM MODE** button repeatedly or press **UP/DOWN** buttons to find the desired alarm mode combination.
 2. Press **SET** button to save settings or just release buttons to save settings.
 3. The corresponding alarm icons will indicate on the display.
- If buzzer is selected, "AL 1 BUZZER" or "AL 2 BUZZER 2" indicates.
 - If CD/MP3/WMA Alarm mode is selected, "AL1 " or "AL 2 " indicates.
 - If Radio Alarm mode is selected, "AL 1

RADIO" or "AL 2 RADIO" indicates.

When the desired alarm mode indicator is shown, stop pressing **UP/DOWN** buttons, and wait for a few seconds, the alarm mode is set automatically, and you can also press **SET** button to save it once you choose it .

Viewing Alarm Setting

Follow the steps below to view alarm settings

- Press **ALARM 1/ALARM 2** button once, the LCD display shows alarm 1 setting (include alarm time and mode) for about 5 seconds before resuming to the local time clock.
- Press **ALARM 1/ALARM 2** button twice, the LCD display shows alarm 2 for about five seconds before resuming to the local time clock.
- Press **ALARM 1/ALARM 2** button repeatedly to toggle between alarm 1 and alarm 2 settings.

Snooze Mode:

When alarm activates, you may press **SNOOZE** button to postpone alarm for 5 minutes. While in snooze mode, "SOONZE" indicator appears on the LCD display.

7 OTHER FEATURES

BACKLIGHT

Pressing any of the buttons on the player illuminates the LCD backlight for about 4 seconds.

SLEEP MODE

Sleep Mode allows you to set the player to automatically shutoff in a pre-determined amount of time while playing CD/MP3 disc or the radio. Sleep Mode may be set for 15, 30, 45, 60, or 90 minutes. Follow the steps below to activate Sleep Mode while the player is turned on:

1. Press **SLEEP** button once to initiate the sleep mode, and "SLEEP IN 15 MINUTES" is displayed.
2. Press **UP/DOWN** buttons or **SLEEP** button repeatedly to choose the desired sleep time.
3. Press **SET** button to save the selected sleep time, and "SLEEP" indicator appears on the display.

NOTE:

After the player shuts off in Sleep Mode, the SLEEP indicator disappears on the LCD.

Deactivating Sleep Mode:

1. Press **SLEEP** button repeatedly till the "SLEEP OFF" indicator appears on the display.
2. Press **SET** button to cancel sleep setting. "SLEEP" indicator disappears on the display.

BASS SETTINGS

This player has three different bass settings for optimal listening. The three settings are Stereo, TruBass, and SRS 3D. On the right side of the player, slide the bass switch to either TruBass or SRS 3D to experience enhanced bass effects and determine the optimal listening level for you. For the "normal" setting without enhanced bass effects, place the switch in the middle to select the Stereo setting.

8 TROUBLE SHOOTING

With proper care and handling, the player should provide you with years of trouble-free service. However, if it is not working properly, follow these suggestions to see if you find and fix the problem. If you still have problems persist, contact Etón Corporation for assistance.

PROBLEM	POSSIBLE CAUSE	SUGGESTION
CD/MP3/WMA will not play.	Disc is not facing upward.	Reinstall the disc with its printing side face upward.
	Disc is not properly loaded.	Load the disc properly and securely.
	Dirty or defective disc.	Clean or replace the CD/MP3 disc.
	The batteries are weak or old.	Change to fresh new batteries
There is no sound or intermittent sound.	The AC/DC adapter isn't properly connected.	Check and connect the adapter properly.
	The speaker or headphones' are not properly connected.	Check and re-plug in connection wires properly.
Radio reception is poor and distorted.	The CD/MP3/WMA player is subjected to excessive vibration or shock	Place the player on a stable surface.
	Stations don't tune properly.	Retune the stations carefully.
	The antenna is not properly adjusted.	Adjust the telescopic FM antenna to find optimal reception.

9 CARE AND MAINTENANCE

continued

Follow the suggestions below to properly care for and maintain your player:

- Do not drop into water or splash with water. If it gets wet, wipe dry immediately. Liquids may contain minerals that can corrode the electronic circuits.
- Use and store the player only in normal temperature environments. Temperature extremes can shorten the life of electronic devices, damage batteries, and distort or melt plastic parts.
- Keep the player away from dust and dirt, which can cause premature wear of parts.
- Handle the player gently and carefully. Dropping it can damage circuit boards and cause malfunctioning.

- Use only fresh batteries of the required size and recommended type. Old batteries can leak chemicals that damage the player's electronic parts.
- Wipe the player with a damp cloth occasionally to keep it looking new. Do not use harsh chemicals, cleaning solvents, or strong detergents only mild soap and water.
- Modifying or tampering with the player's internal components can cause malfunctioning and will void its warranty.

CD/MP3 DISC CARE TIPS


Even though CD/MP3 discs are very durable, follow the suggestions below for optimal performance:

- Keep discs inside the player or in their protective case or sleeve when not in playing
- Handle discs by their edges to avoid fingerprints that can cause skipping or distorted sound
- Do not write on the non-label side
- Keep discs dry as moisture drop can act as a lens and cause skipping or distorted sound
- Never use chemicals such as record cleaning sprays, ant-static sprays or fluids, benzene or thinner to clean as they can permanently damage the plastic surface

IMPORTANT SAFETY INSTRUCTIONS

WARNING

- TO PREVENT FIRE OR SHOCK HAZARD, DO NOT EXPOSE THE APPLIANCE TO RAIN OR MOISTURE.
- DRIPPING WARNING: The product shall not be exposed to dripping or splashing and that no objects filled with liquids, such as vases, shall be placed on the product.
- VENTILATION WARNING: The normal ventilation of the product shall not be impeded for intended use.




DANGER: INVISIBLE LASER RADIATION WHEN OPEN AND INTERLOCK FAILED OR DEFEATED. AVOID DIRECT EXPOSURE TO BEAM.

CAUTION: HAZARDOUS LASER RADIATION WHEN OPEN AND INTERLOCK DEFEATED.

CAUTION

**RISK OF ELECTRIC SHOCK
DO NOT OPEN**

CAUTION: TO REDUCE THE RISK OF ELECTRIC SHOCK, DO NOT REMOVE COVER (OR BACK). NO USER-SERVICEABLE PARTS INSIDE. REFER SERVICING TO QUALIFIED SERVICE PERSONNEL.



DANGEROUS VOLTAGE: Uninsulated dangerous voltage, that may be of sufficient magnitude to constitute a risk of electric shock to persons is present within this product's enclosure.

ATTENTION: The owner's manual contains important operating and maintenance instructions. For your safety, it is necessary to refer to the manual.

AVOID INSTALLING THE UNIT IN LOCATIONS DESCRIBED BELOW.

- Places exposed to direct sunlight or close to heat radiating appliances such as electric heaters.
- Places lacking ventilation or dusty.
- Places subjected to constant vibration.
- Humid or moist places.

THIS PRODUCT UTILIZES A LASER.

DANGER – Invisible laser radiation is present when unit is opened and interlock failed or defeated.

CAUTION – Use of the controls or adjustments of procedures other than those specified herein may result in hazardous radiation.

THE LASER COMPACT DISC PLAYER FUNCTIONS BY HELP OF INVISIBLE LASER LIGHT AND IS EQUIPPED WITH SAFETY SWITCHES TO AVOID EXPOSURE WHEN DOOR IS OPEN AND SAFETY INTERLOCKS ARE DEFEATED. IT IS DANGEROUS TO DEFEAT OR BYPASS SAFETY SWITCHES.

11 SPECIFICATIONS

Frequency Response (+/-4dB).....	20-20,000 Hz
Sampling Frequency.....	44.1 kHz
Oversampling.....	8 times
Wavelength.....	780 nm
Radio Frequency – FM.....	(for U.S.) 87.5-107.9 MHz (0.05 MHz per step) (for Europe) 87.5—108MHz
Radio Frequency – AM.....	(for U.S.) 530---1710KHz and step 10KHz (for Europe) 531---1602KHz
Power Requirement.....	Four AA alkaline batteries AC/DC adapter (DC 7.5V, 800mA)
Power Output.....	600mA
Dimensions (HWD).....	38 x 145 x 169.4mm
Weight (without batteries).....	0.52kg

12 SERVICE INFORMATION

You may contact the Etón Service Department for additional information or assistance by calling toll-free Monday through Friday, 8:30am - 4:00pm Pacific Standard Time:

1-800-872-2228 (United States)
1-800-673-1648 (Canada)

Call for a Return Authorization prior to shipping your unit. Should you want to return your unit for service, pack the receiver carefully using the original carton or other suitable container. Write your return address clearly on the shipping carton and on an enclosed cover letter describing the service required, symptoms or problems. Also, include your daytime telephone number and a copy of your proof of purchase. The receiver will be serviced under the terms of the Etón Limited Warranty and returned to you.

13 ONE YEAR LIMITED WARRANTY

Etón warrants to the original purchaser this product shall be free from defects in material or workmanship for one year from the date of original purchase.

During the warranty period Etón or an authorized Etón service facility will provide, free of charge, both parts and labor necessary to correct defects in material and workmanship. At their option, Etón may replace a defective unit.

1. Complete and send in the Warranty Registration Card within ten (10) days of purchase.
2. Call Etón or the nearest authorized service facility, as soon as possible after discovery of a possible defect. Have ready:
 - a. the model and serial number.
 - b. the identity of the seller and the approximate date of purchase.
 - c. a detailed description of the problem, including details on the electrical connection to associated equipment and the list of such equipment.

3. Etón will issue a Return Authorization number and the address to which the unit can be shipped. Ship the unit in its original container or equivalent, fully insured and shipping charges prepaid.

Correct maintenance, repair, and use are important to obtain proper performance from this product. Therefore carefully read the Instruction Manual. This warranty does not apply to any defect that Etón determines is due to:

1. Improper maintenance or repair, including the installation of parts or accessories that do not conform to the quality and specification of the original parts.
2. Misuse, abuse, neglect or improper installation.
3. Accidental or intentional damage.
4. Battery leakage.

All implied warranties, if any, including warranties of merchantability and fitness for a particular purpose, terminate one (1) year from the date of the original purchase.

13 ONE YEAR LIMITED WARRANTY

continued

The foregoing constitutes Etón entire obligation with respect to this product, and the original purchaser shall have no other remedy and no claim for incidental or consequential damages, losses, or expenses. Some states do not allow limitations on how long an implied warranty lasts or do not allow the exclusions or limitation of incidental or consequential damages, so the above limitation and exclusion may not apply to you. This warranty give you specific legal rights and you may also have other rights which vary from state to state.

FOR SERVICE INFORMATION CONTACT:

Etón Corporation
1015 Corporation Way
Palo Alto, CA 94303
U.S.A.



TABLE DES MATIÈRES

VOUS AVEZ BESOIN D'AIDE?

Voici comment nous contacter:

- From the United States: (800) 872-2228
- From Canada: (800) 637-1648
- From Everywhere Else: (650) 903-3866
- Email: customersvc@etoncorp.com
- Internet: www.etoncorp.com

1	TABLE DES MATIERES	35	• FONCTIONNEMENT DU TUNER AM/FM....	53
2	CARACTERISTIQUES	36	- Écoute de la radio	53
3	INTRODUCTION		- Mise en mémoire de stations	
	• Emplacement des commandes	40	préselectionnées	54
	• Écran à cristaux liquides (LCD)	42	- Retrouver les stations	
4	INSTALLATION ET RACCORDEMENTS		préselectionnées	54
	• Raccordement des haut-parleurs	44	• FONCTIONNEMENT DE	
	• Raccordement des écouteurs	44	L'HORLOGE/ALARME.....	55
5	ALIMENTATION DE L'APPAREIL		- Réglage de l'heure locale	55
	• Utilisation des piles.....	45	- Réglage de l'heure mondiale	56
	• Utilisation de l'adaptateur AC/DC	46	- Sélection du mode des heures	56
6	MODE D'EMPLOI		- Réglage de l'heure d'alarme	56
	• FONCTIONNEMENT DU CD/MP3	46	- Activation/Désactivation de l'alarme.....	57
	- Chargement des disques	46	- Sélection de la fonction Alarme	58
	- Lecture des disques	46	- Affichage des réglages d'alarme	58
	- Protection électronique contre		- Fonction Snooze.....	59
	les chocs (ESP)	47	7 AUTRES FONCTIONS	
	- Réglage du volume	47	• Rétroéclairage	60
	- Égaliseur (EQ)	48	• Fonction Sleep (Sommeil)	60
	- Pause de la lecture	48	• Réglages des graves	60
	- Arrêt de la lecture	48	8 RECHERCHE DE PANNES.....	61
	- Avance et recul rapides (Skip Search)....	49	9 SOIN ET ENTRETIEN.....	62
	- Sélection des plages	49	• Conseils d'entretien des disques	
	- Répétition de lecture	50	CD/MP3.....	62
	- Lecture d'intro (Intro Scan)	50	10 CONSIGNES DE SÉCURITÉ.....	64
	- Lecture aléatoire	51	11 CARACTÉRISTIQUES TECHNIQUES.....	65
	- Lecture programmée	51	12 RENSEIGNEMENTS SUR LES SERVICES.....	66
			13 LA GARANTIE LIMITÉE DE UN AN.....	67

2 CARACTERISTIQUES

Le Radio réveil CD/MP3/AM/FM de voyage ego 4000 Plus est équipé des fonctions principales suivantes:

Lecteur CD/MP3:

- **Protection électronique contre les chocs (ESP)** – met en mémoire 40 secondes de données CD et 120 secondes de données MP3 pour une lecture ininterrompue même lorsque le lecteur est exposé aux chocs ou vibrations.
- **Affichage MP3 ID Tag** – r affiche le nom de l'artiste et la plage enregistrée sur les disques MP3.
- **Lecture programmable** – programmation et lecture jusqu'à 99 plages dans n'importe quel ordre que vous choisissez.
- **Lecture répétée** – répétez automatiquement une plage simple, un répertoire (pour les MP3) ou un disque entier.

- **Lecture des intros (Intro Scan)** – recherchez ou faites une lecture préliminaire des plages à venir en faisant une lecture automatique des 10 premières secondes de chaque plage.
- **Lecture aléatoire** – lancez la lecture aléatoire des plages sur un disque CD/MP3.
- **EQ** – choisissez des effets d'écoute améliorée DBB, POP, JAZZ, CLASSIC, DISCO ou NORMAL pour convenir à votre style ou musique.
- **Avance et recul rapides (Skip Search)** – trouvez rapidement et lancez la lecture de n'importe quelle plage sur des disques CD/MP3.
- **Recherche audible** – trouvez une section particulière d'une plage en faisant une lecture rapide.
- **Pause et marque** – arrêtez la lecture temporairement ou marquez une plage pour faire sa lecture plus tard.
- **Mise à l'arrêt automatique** – met automatiquement le lecteur à l'arrêt pour économiser l'alimentation des piles.
- **Compatible avec des disques de 3 pouces** – lecture des disques CD/MP3 de 3 pouces.
- **Compatible avec des disques CD-R/CD-RW** – lecture des disques CD-R et CD-RW.
- **CD Alarm Wake Up** – réglez l'alarme pour le réveil au son d'un disque CD.

Tuner AM/FM:

- **Présélections de stations FM/AM** – mettez en mémoire jusqu'à 20 stations de radio FM et 10 stations de radio AM pour que vous puissiez trouver vos stations favorites.
- **Accord automatique** – recherchez rapidement la prochaine station de radio à signal puissant en augmentant ou en diminuant la fréquence.

- **Antenne FM télescopique** – déployez et ajustez l'antenne pour une réception FM optimale.
- **Mémoire de la dernière station** – écoutez la dernière station réglée sur le tuner à la mise en marche.
- **Commutateur Stéréo/Mono** – sélectionnez le mode d'écoute de la bande FM en mono ou en stéréo.
- **Changement de région** – choisissez les États-Unis ou l'Europe pour recevoir les stations de radio dans chaque région.

Réveil:

- **Fonctions de l'heure locale/du monde** – choisissez entre l'heure locale et l'heure mondiale dans des villes à travers le monde.
- **Sélection de format horaire 12/24** – choisissez entre le format horaire soit sur 12 heures ou sur 24 heures.

2 CARACTERISTIQUES

continué

- **Deux alarmes** – réglez deux alarmes qui permettent de vous réveiller au son de la radio, d'un CD ou de la sonnerie.
- **Fonction Snooze** – suspendez l'alarme pendant 5 minutes avant qu'elle se remette en marche.
- **Fonction sommeil (Sleep)** – réglez la fonction sommeil pour mettre le lecteur à l'arrêt entre 15 et 90 minutes plus tard.
- **Indication de piles faibles** – un rappel pour remplacer les piles usées.


Fonctions générales:

- **Haut-parleurs stéréophoniques détachables** – détachez et placez les enceintes de qualité où vous voulez pour une écoute et une performance optimales.
- **Système audio SRS** – système surround

sound avec amplification des graves et performance 3D plus large.

- **Écran LCD éclairé à fonctions multiples** – grand écran LCD à rétroéclairage bleu avec matrice de type à gros points pour voir confortablement l'état du système et l'horloge, même dans un endroit pas éclairé.
- **Deux sources d'alimentation** – alimentez l'appareil avec 4 piles AA ou avec un adaptateur AC/DC 7,5V 800mA (fourni)
- **Mise à l'arrêt automatique** – met automatiquement le lecteur à l'arrêt pour économiser l'alimentation des piles.

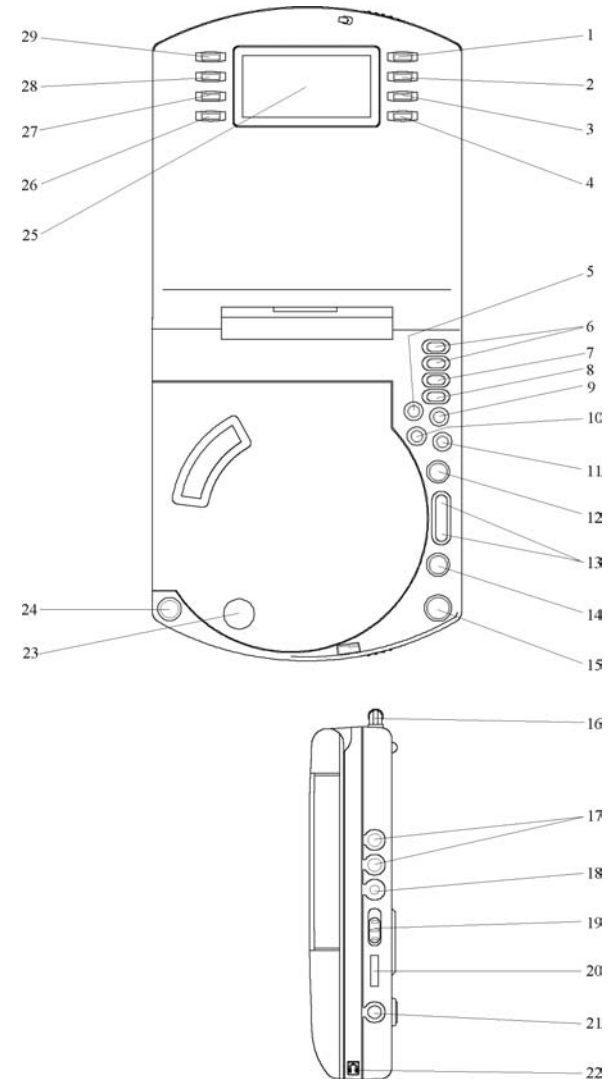


"WOW", SRS and  symbol are trademarks of SRS Labs, Inc. "WOW" technology is incorporated under license from SRS Labs, Inc.

3 INTRODUCTION

EMPLACEMENT DES COMMANDES

- 1 **World/Local** – pour voir l'heure locale préréglée ou pour régler l'heure mondiale.
- 2 **Set** – pour régler l'heure locale/mondiale ou pour régler l'alarme.
- 3-4 **Up / Down** – pour sélectionner l'heure, la date ou la fonction d'alarme désirées tout en réglant l'heure ou l'alarme.
- 5 **SAS/+10** – Pendant la lecture d'un CD, appuyez pour mettre en marche/à l'arrêt la protection électronique contre les chocs (ESP); pendant la lecture d'un disque MP3, appuyez sur ce bouton pour sauter de 10+ plages.
- 6 **Preset+/-** – pour choisir les stations de radio programmées pour les écouter.
- 7 **St/Mono** – pour sélectionner le canal mono ou FM stéréo.
- 8 **Album** – pour chercher le répertoire d'un MP3; dans la fonction tuner, pour changer de région de radio (appuyez 3 secondes)
- 9 **EQ/Prog** – Pendant la lecture d'un CD/MP3, appuyez pour sélectionner le réglage d'égaliseur désiré (DBB, POP, JAZZ, CLASSIC, DISCO, NORMAL); lorsqu'il n'y a pas de lecture de CD/MP3, appuyez pour programmer l'ordre de lecture sur un CD/MP3; dans la fonction tuner, appuyez pour mettre les stations de radio en mémoire.
- 10 **Tuner/band** – pour alterner la bande de fréquences entre AM et FM sur le tuner.
- 11 **Mode** – Pendant la lecture d'un CD, appuyez pour sélectionner la fonction de lecture répétée d'une plage ou de toutes les plages; pendant la lecture d'un MP3, appuyez pour sélectionner la fonction de lecture répétée d'une plage, d'un répertoire ou de toutes les plages; lorsqu'il n'y a pas de lecture de CD/MP3, appuyez pour sélectionner la fonction d'intro (lecture des débuts de plage) ou la lecture Shuff/Random (Mélangée/Aléatoire)
- 12 **Play/Pause** – Appuyez pour lancer ou interrompre la lecture d'un CD/MP3
- 13 **Scan Up/Down** – Appuyez pour avancer et reculer rapidement et rechercher des plages ou un répertoire d'un CD/MP3; dans la fonction tuner, appuyez pour rechercher les stations de radio désirées ou pour rechercher automatiquement les stations.
- 14 **Stop** – Appuyez pour arrêter la lecture d'un CD/MP3; dans la fonction tuner, appuyez pour mettre à l'arrêt.
- 15 **Snooze** – Lorsque l'alarme est activée, appuyez pour la suspendre l'alarme pendant 5 minutes; lorsque l'alarme n'est pas activée, appuyez pour éclairer momentanément le rétroéclairage de l'écran LCD.
- 16 **Antenne FM télescopique** – déployez et ajustez l'antenne pour une réception FM optimale.
- 17 **Prises des haut-parleurs** – pour brancher les fils des haut-parleurs provenant des enceintes détachables.
- 18 **Prise DC** – pour brancher l'adaptateur AC/DC
- 19 **Commutateur des graves** – pour sélectionner le réglage des graves sur TruBass ou SRS 3D.
- 20 **Volume** – pour régler le volume d'écoute.
- 21 **Prise pour casque d'écoute** – pour brancher un casque stéréophonique.
- 22 **Open Player** – pour ouvrir le lecteur, coulissez le bouton en direction de la flèche
- 23 **Close Lid** – pour fermer le couvercle après avoir inséré un disque CD/MP3
- 24 **Open Lid** – pour ouvrir le couvercle pour insérer un disque CD/MP3
- 25 **Écran LCD** – pour voir l'état du lecteur et l'horloge
- 26 **Alarm On/Off** – pour mettre en marche ou à l'arrêt une ou toutes les alarmes.
- 27 **Alarm 1/ Alarm 2** – pour sélectionner alarme 1 ou alarme 2, ou voir la sélection alarme 1 ou alarme 2
- 28 **Alarm Mode** – pour activer l'alarme.
- 29 **Sleep** – pour sélectionner la durée du délai d'arrêt sur 15, 30, 45, 60, ou 90 minutes.



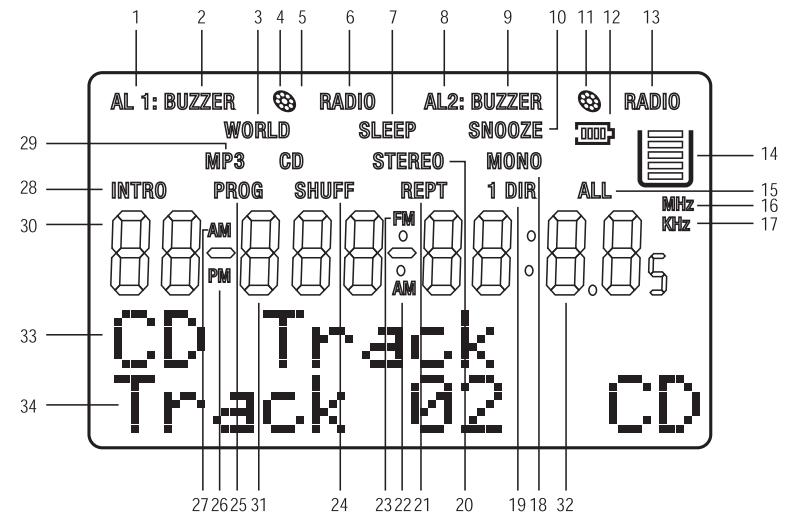
3 INTRODUCTION

continué

ÉCRAN LCD

- 1 AL 1 – s’allume quand l’ALARME 1 est activée
- 2/9 BUZZER – s’allume quand la fonction de sonnerie est sélectionnée pour l’Alarme 1/Alarme 2
- 3 WORLD – s’allume pendant le réglage ou l’affichage de l’heure d’une autre région du monde
- 4/11 IMAGE DE CD – s’allume quand la fonction CD est sélectionnée pour l’Alarme 1/Alarme 2
- 5 CD – s’allume pendant la lecture d’un CD
- 6/13 RADIO – s’allume lorsque la fonction radio est sélectionnée pour l’Alarme 1/Alarme 2
- 7 SLEEP – s’allume lorsque la fonction de temporisation d’arrêt (Sleep Timer) est sélectionnée
- 8 AL 2 – s’allume lorsque ALARM 2 est sélectionné
- 10 SNOOZE – s’allume lorsque Snooze est sélectionné après une alarme
- 12 L’indication de pile – s’allume lorsque les piles sont chargées et clignote lorsqu’elles sont faibles
- 14 Indication ESP – indique la mémoire stockée/utilisée durant la lecture d’un CD/MP3
- 15 ALL – s’allume pour la fonction de répétition de TOUTES les plages pendant la lecture d’un CD/MP3
- 16 MHz – indique la fréquence FM
- 17 KHz – indique la fréquence AM
- 18 MONO – indique la fonction MONO du tuner

- 19 DIR – indique la fonction de répétition du RÉPERTOIRE pendant la lecture d’un CD/MP3
- 20 STEREO – indique la fonction STÉRÉO du tuner
- 21 REPT 1 – indique la fonction d’UNE plage pendant la lecture d’un CD/MP3
- 22 AM – indique la radio AM
- 23 FM – indique la radio FM
- 24 SHUFF – indique la fonction de lecture aléatoire pendant la lecture d’un CD/MP3
- 25 PROG – s’allume pendant la programmation de l’ordre de lecture d’un CD/MP3 ou pendant la lecture des plages programmées
- 26 PM – indique l’heure de l’après midi durant le réglage de l’horloge
- 27 AM – indique l’heure du matin durant le réglage de l’horloge
- 28 INTRO – s’allume quand la fonction Intro Scan est sélectionnée
- 29 MP3 – s’allume pendant la lecture d’un disque MP3
- 30 L’annuaire pour MP3s/CDs
- 31 Traquer pour MP3s/CDs
- 32 Temps/Temps passé pour MP3s/CDs
- 33 Le jour de la semaine/Le nom d’album pour MP3s/Indicateur de CD
- 34 Date/La chanson, l’artiste et essaie le taux pour MP3s/La piste et essaie le taux pour les CDs



4 INSTALLATION ET RACCORDEMENTS

RACCORDEMENT DES HAUT-PARLEURS

Le lecteur est équipé d'une paire de haut-parleurs détachables. Le lecteur peut être utilisé avec les haut-parleurs placés dans le couvercle ou avec les haut-parleurs détachés. Vous pouvez enlever les haut-parleurs du couvercle et les placer où vous voulez en utilisant le fils de connexion fourni. Suivez ces étapes pour raccorder les haut-parleurs:

1. Appuyez doucement et poussez vers le bas pour coulisser les haut-parleurs hors du couvercle.
2. En utilisant le fil de connexion, raccordez une extrémité du fil à la prise jack sur le haut-parleur et l'autre extrémité sur la prise jack "SPEAKERS L ou R" sur le côté droit du lecteur.
3. Pivotez vers l'extérieur les supports à haut-parleur incorporés pour une bonne stabilité et placez les haut-parleurs où vous désirez, comme permis par la longueur du fil de connexion.

RACCORDEMENT DES ÉCOUTEURS

Pour une écoute discrète, vous pouvez écouter le lecteur avec un casque stéréophonique ou des écouteurs avec une prise de 3,5mm en le branchant dans la prise jack de casque d'écouter " " située sur le côté droit du lecteur.

Sécurité pendant l'écoute

Pour protéger votre ouïe, suivez ces directives lors de l'utilisation d'écouteurs ou de casque stéréophonique:

- Réglez le volume au niveau le plus bas avant de commencer à écouter. Réglez le volume à un niveau confortable après avoir commencé à écouter.
- N'écoutez pas la radio ni la musique avec le volume réglé à un niveau extrêmement élevé. Une écoute prolongée à un volume élevé peut entraîner des pertes auditives permanentes.
- Une fois que vous avez réglé le volume, ne l'augmentez plus. Avec le temps, vos oreilles s'adaptent au niveau de volume, par conséquent, un niveau de volume qui n'est pas gênant peut tout de même entraîner des pertes auditives.

Sécurité routière

Ne portez pas de casque d'écoute ni d'écouteurs lorsque vous conduisez un véhicule ou lorsque vous roulez à bicyclette. Vous pouvez poser un danger pour la sécurité routière et cela peut être illégal dans certaines régions. Bien que certains casques d'écoute ou écouteurs vous permettent d'entendre certains des sons ambiants lors de l'écoute à des niveaux normaux de volume, ils représentent quand même un danger pour la sécurité routière.

5 ALIMENTATION DE L'APPAREIL

Vous pouvez alimenter le lecteur à partir d'une de ces sources d'alimentation:

- 4 piles alcalines AA
- Alimentation secteur AC standard en utilisant un adaptateur AC/DC de 7,5V DC, 800mA

UTILISATION DES PILES

Suivez ces étapes pour installer les piles:

1. Appuyez vers le bas sur le couvercle du compartiment des piles et faites-le glisser dans la direction de la flèche sur le couvercle et soulevez-le pour l'ouvrir.
2. Placez quatre piles AA dans le compartiment en respectant les symboles de polarité (+ et -) marqués à l'intérieur.
3. Refermez le couvercle.

ATTENTION:

- Utilisez toujours des piles neuves de la taille spécifiée par le fabricant. Ne mélangez pas des piles neuves et des piles usées ou des piles de types différents ou des piles rechargeables ou de différentes capacités.
- Retirez les piles si vous n'avez pas l'intention d'utiliser le lecteur avec des piles pendant un mois ou plus ou si vous comptez utiliser seulement que l'adaptateur AC/DC. Les piles qui ne sont pas utilisées peuvent fuir et libérer des produits chimiques qui peuvent endommager les pièces électroniques à l'intérieur.

NOTE:

- Lorsque symbole de pile clignote sur l'écran, remplacez les piles, puisque le son peut être altéré et le volume diminué par des piles faibles.

- Lorsque les piles sont retirées, l'heure de l'horloge sera préservée pendant 3 minutes. Veuillez remplacer rapidement les piles pour empêcher l'effacement du réglage de l'horloge.
- Jetez les piles usées de manière rapide et appropriée. Il ne faut ni les brûler ni les enterrer.

UTILISATION DE L'ADAPTEUR AC/DC

Vous pouvez alimenter l'appareil à partir d'une prise secteur AC standard en utilisant l'adaptateur AC/DC de 7,5V DC et 800mA fourni avec l'appareil.

Suivez ces étapes pour brancher l'adaptateur AC/DC au lecteur:

1. Insérez la fiche de l'adaptateur AC/DC dans la prise jack "DC IN 7.5V" sur le côté droit du lecteur.
2. Branchez l'adaptateur AC/DC à une prise de courant secteur AC standard.

ATTENTION:

Lorsque vous avez fini d'utiliser l'adaptateur AC/DC, débranchez-le d'abord de la prise de courant secteur AC, puis débranchez-le de l'appareil.

NOTE:

Aussitôt que l'adaptateur AC/DC est branché sur l'appareil, les piles installées seront automatiquement hors-circuits.

6 MODE D'EMPLOI: FONCTIONNEMENT DU CD/MP3

CHARGEMENT DES DISQUES

1. Pour ouvrir le lecteur, coulissez le bouton **OPEN PLAYER** dans la direction de la flèche.
2. Appuyez sur le bouton **OPEN LID** situé sur le coin avant gauche du lecteur pour ouvrir le couvercle du plateau de chargement de disque.
3. Tenez le disque par ses bords et placez-le soigneusement dans le compartiment à CD/MP3 et sur le plateau avec l'étiquette du CD/MP3 vers le haut.
4. Appuyez sur la position **CLOSE LID** sur le couvercle du disque pour bien protéger le CD/MP3 durant la lecture.

LECTURE DES DISQUES

Appuyez sur le bouton **PLAY/PAUSE** et le lecteur commencera à lire les informations contenues sur le disque chargé. L'écran LCD affiche "READING".

- S'il s'agit d'une lecture de disque CD, l'écran LCD affiche "CD Track" et le nombre de plages et sa durée de lecture, tandis que le niveau de lecture du CD défile en bas de l'écran. Les indications CD et ESP sont aussi affichées sur l'écran LCD.
- S'il s'agit d'une lecture de disque MP3, l'écran LCD affichera le nombre de répertoires, le nombre de plages, la durée de lecture, et l'artiste tandis que le titre de la piste et le niveau de lecture défilent en bas de l'écran. La lecture commencera à la première plage du premier répertoire. Les indications CD et ESP sont aussi affichées sur l'écran LCD.

NOTE:

Lorsque l'un des boutons de commande est appuyé, le rétroéclairage de l'écran LCD s'allume pendant environ 4 secondes.

PROTECTION ÉLECTRONIQUE CONTRE LES CHOCS (ESP)

Ce lecteur est équipé de circuits électroniques spéciaux servant à mettre en mémoire la musique et puis la jouer à partir de la mémoire. Pour les disques CD, la mémoire est pour 40 secondes de lecture. Pour les disques MP3, elle est pour 120 secondes de lecture.

Le système électronique contre les chocs (ESP) s'allume automatiquement en appuyant sur le bouton **PLAY/PAUSE**. L'icône ESP est affichée sur l'écran LCD pour indiquer la quantité de mémoire stockée ou utilisée par le lecteur. Veuillez prendre note que les niveaux de mémoires augmenteront et diminueront durant la lecture.

Si vous écoutez un disque CD, vous pouvez appuyer sur le bouton **SAS/+10** pour éteindre le système ESP, ce qui sera indiqué sur l'écran LCD. Pour remettre en marche la fonction ESP,

appuyez à nouveau sur ce bouton et vérifiez l'indication ESP sur l'écran LCD.

Si vous écoutez un disque MP3 disc, la fonction ESP ne peut pas être mise à l'arrêt. Veuillez noter que lors de la lecture d'un disque MP3, les disques ne tourneront pas dans le lecteur lorsqu'il joue à partir de la mémoire ESP. Les disques tournent seulement durant la lecture de disques MP3s que lorsque le lecteur lit un disque pour le mettre en mémoire. L'icône ESP indique les changements de niveau de mémoire pendant que le lecteur suit cette procédure.

RÉGLAGE DU VOLUME

Tournez le bouton Volume comme indiqué sur le côté droit du lecteur pour ajuster le volume à un niveau d'écoute confortable.

6 MODE D'EMPLOI: FONCTIONNEMENT DU CD/MP3

continué

ÉGALISEUR (EQ)

Lorsque vous écoutez des disques CD/MP3, vous pouvez appuyer sur le bouton **EQ/PROG.** pour sélectionner un effet d'égaliseur pré-programmé pour une écoute améliorée de votre musique. Les cinq réglages sont: **DBB, POP, JAZZ, CLASSIC** ou **DISCO**. Chaque pression successive du bouton **EQ/Prog.** change le réglage. Pour choisir un effet sans égaliseur, sélectionnez le réglage "NORMAL".

NOTE:

Seule la lecture d'un disque CD/MP3 permet l'utilisation de la fonction EQ.

PAUSE DE LA LECTURE

Pour interrompre provisoirement la lecture, appuyez sur le bouton **PLAY/PAUSE**. L'indication de durée de lecture écoulée clignote sur l'écran LCD tandis que le disque CD continue à tourner. Pendant l'écoute d'un MP3, le disque s'arrêtera de tourner.

Pour reprendre la lecture, appuyez à nouveau sur le bouton **PLAY/PAUSE**, l'indication du numéro de plage actuelle est affichée sur l'écran LCD.

ARRÊT DE LECTURE

La lecture d'un CD/MP3 s'arrête automatiquement à la fin de la dernière plage ou à la dernière plage du dernier répertoire. Pour arrêter la lecture plus tôt, appuyez sur le bouton **STOP**. Si aucune autre action n'est faite dans un délai de 30 secondes, le lecteur est automatiquement mis à l'arrêt. Pour mettre l'appareil à l'arrêt plus tôt, appuyez une deuxième fois sur le bouton **STOP**.

Lorsqu'un disque s'arrête, l'écran LCD affiche le nombre total de plages et la durée de lecture totale pour les disques CD. Pour les disques MP3, l'écran LCD affiche le nombre total de répertoires et de plages.

AVANCE ET RECUIL RAPIDES (SKIP SEARCH)

Pour chercher en avant ou en arrière durant la lecture, appuyez et gardez appuyé le bouton **SCAN UP/DOWN**. L'écran LCD affichera le changement rapide de la durée de lecture. Lorsque vous avez atteint le point désiré, relâchez les boutons **SCAN UP/DOWN** pour reprendre la lecture normale.

NOTE:

Lorsque la recherche vous conduit à la fin de la dernière plage ou au début de la première plage, elle s'arrête automatiquement.

SÉLECTION DE PLAGES

CD

Pour sélectionner une plage désirée, appuyez à plusieurs reprises sur le bouton **SCAN UP** jusqu'à ce que la plage désirée soit trouvée. L'écran LCD affichera le numéro de plage pendant votre recherche.

MP3

Pendant la lecture d'un disque MP3, vous pouvez

1. Appuyer à plusieurs reprises sur le bouton **SCAN UP** pour sauter en avant pour choisir la plage ou le répertoire désiré. La lecture commencera automatiquement.
2. Appuyer une fois sur le bouton **SCAN DOWN** pour sauter en arrière jusqu'au début de la plage actuelle. Appuyer à plusieurs reprises sur le bouton **SCAN DOWN** pour sauter en arrière pour choisir la plage ou le répertoire désiré. La lecture commencera automatiquement.

6 MODE D'EMPLOI: FONCTIONNEMENT DU CD/MP3

continué

Lorsque la lecture d'un disque MP3 est arrêtée mais l'alimentation est encore en marche, vous pouvez

1. Appuyer à plusieurs reprises sur le bouton **SCAN UP/DOWN** pour trouver le répertoire ou la plage désirée.
2. Appuyer sur le bouton **PLAY/PAUSE** pour lancer la lecture à partir de cette plage.

NOTE:

Pendant la lecture, appuyez sur le bouton SAS/+10 pour sauter en avant de 10 plages à chaque fois.

RÉPÉTITION DE LECTURE

Pendant la lecture d'un disque CD/MP3, vous pouvez appuyer sur le bouton **MODE** pour activer un des trois réglages différents de répétition. Chaque pression successive sur le bouton **MODE** change le réglage:

1. Répétition d'une plage – Pendant la lecture, appuyez sur le bouton **MODE** jusqu'à ce que "REPT 1" s'affiche sur l'écran. La plage actuelle sera répétée continuellement.

2. Répétition d'un répertoire – Pendant la lecture d'un disque MP3 seulement, appuyez sur le bouton **MODE** jusqu'à ce que l'indication "REPT DIR" s'affiche sur l'écran. Le répertoire actuel sera répété continuellement.
3. Répétition de toutes les plages – Pendant la lecture, appuyez sur le bouton **MODE** jusqu'à ce que l'indication "REPT ALL" s'affiche sur l'écran. Toutes les plages seront répétées continuellement.

LECTURE D'INTRO (INTRO SCAN)

Vous pouvez obtenir une écoute préliminaire des 10 premières secondes de chaque plage pour vous aider à trouver rapidement et facilement la plage que vous désirez écouter. Suivez les étapes ci-dessous pour lancer la fonction de lecture Intro Scan:

1. Arrêtez la lecture en appuyant sur le bouton **STOP**.
2. Appuyez sur le bouton **MODE** jusqu'à ce que l'indication "INTRO" s'affiche sur l'écran.

3. Appuyez sur le bouton **PLAY/PAUSE**, et la fonction Intro Scan commence à partir de la première plage.
4. Pour annuler la fonction Intro Scan, appuyez sur le bouton **STOP**.

LECTURE ALÉATOIRE

Vous pouvez forcer le lecteur à jouer toutes les plages sans ordre particulier avec la fonction de lecture aléatoire (Shuffle Play). Suivez les étapes ci-dessous pour lancer la lecture aléatoire:

1. Arrêtez la lecture en appuyant sur le bouton **STOP**.
2. Appuyez sur le bouton **MODE** jusqu'à ce que l'indication "SHUFF" s'affiche sur l'écran.
3. Appuyez sur le bouton **PLAY/PAUSE**, et la lecture aléatoire commence immédiatement.
4. Pour annuler la lecture aléatoire, appuyez sur le bouton **STOP**.

LECTURE PROGRAMMÉE

Vous pouvez programmer jusqu'à 99 plages pour jouer dans n'importe quel ordre que vous choisissez. La même plage peut être programmée plus d'une fois.

Pour programmer l'ordre de lecture d'un disque CD/MP3:

CD

1. Arrêtez la lecture en appuyant sur le bouton **STOP**.
2. Appuyez sur le bouton **EQ/PROG** jusqu'à ce que l'indication "PROG" s'affiche sur l'écran ainsi que l'indication "PROGRAM: 01".
3. Appuyez à plusieurs reprises sur le bouton **SCAN UP/DOWN** pour trouver la plage à programmer.
4. Appuyez à nouveau sur le bouton **EQ/PROG** pour la sauvegarder comme "PROGRAM: 01" puis PROGRAM: 02" etc.

6 MODE D'EMPLOI: FONCTIONNEMENT DU CD/MP3

- Appuyez sur le bouton **PLAY/PAUSE** pour jouer la plage programmée pendant que l'indication "PROG" est affichée sur l'écran LCD.
- Répétez les étapes 1 à 5 pour programmer toutes les plages jusqu'à 99 plages.

MP3:

- Arrêtez la lecture en appuyant sur le bouton **STOP**.
- Appuyez sur le bouton **EQ/PROG** jusqu'à ce que l'indication "PROG" soit affichée sur l'écran ainsi que l'indication "PROGRAM: 01".
- Appuyez sur le bouton **ALBUM** pour choisir le répertoire désiré.
- Appuyez à plusieurs reprises sur le bouton **SCAN UP/DOWN** pour trouver la plage à programmer.
- Appuyez à nouveau sur le bouton **EQ/PROG** pour la sauvegarder comme "PROGRAM: 01" puis PROGRAM: 02" etc.
- Appuyez sur le bouton **PLAY/PAUSE** pour jouer la plage programmée pendant que l'indication "PROG" est affichée sur l'écran LCD.
- Répétez les étapes 1 à 7 pour programmer toutes les plages jusqu'à 99 plages.

Pour lancer la lecture dans l'ordre programmé:

Appuyez sur le bouton **PLAY/PAUSE** pendant que l'indication "PROG" est affichée sur l'écran LCD.

Pendant la lecture, vous pouvez appuyer sur le bouton **SCAN UP/DOWN** pour sauter en avant ou en arrière, et vous pouvez aussi lancer la lecture répétée pour une ou pour toutes les plages programmées en appuyant sur le bouton **MODE**.

Après la lecture de la dernière plage programmée, le lecteur s'arrêtera automatiquement.

Pour effacer un ordre programmé:

- Appuyez sur le bouton **STOP** pendant la lecture d'un ordre programmé, et l'indication PROG disparaîtra de l'écran, ou
- Ouvrez le couvercle du disque en appuyant sur le bouton **OPEN**, ou
- Débranchez l'adaptateur AC/DC pour mettre l'appareil à l'arrêt.

MODE D'EMPLOI: FONCTIONNEMENT DU TUNER AM/FM

ÉCOUTE DE LA RADIO

- Appuyez sur le bouton **TUNER/BAND** pour mettre le tuner en marche. Lorsque le tuner est en marche, il commence toujours à la dernière station de radio écoutée.
- Appuyez à plusieurs reprises sur le bouton **TUNER/BAND** pour choisir soit la bande AM ou FM.
- Utilisez une des méthodes suivantes pour faire l'accord de la station désirée. L'écran affiche la fréquence d'accord.

- **Accord programmé:** Appuyez sur l'un ou l'autre des boutons de mémoire (**Preset +** et **Preset-**). Lorsqu'une des stations programmées est sélectionnée, l'écran LCD affiche le numéro de canal "CH0" et la fréquence "FM---MHz/AM---KHz". Vous pouvez mettre en mémoire 20 stations pour la bande FM et 10 stations pour la bande AM.
- **Accord manuel:** Appuyez sur les boutons **SCAN UP/DOWN** avec des pressions rapides et courtes pour accorder manuellement en avant ou en arrière vers la station de radio désirée.

- **Accord automatique:** Appuyez sur le bouton **SCAN UP/DOWN** ou **MODE** avec une longue pression pour faire l'accord automatique en avant ou en arrière vers la prochaine station avec un fort signal de réception. Appuyez deux fois sur le bouton **EQ/PROG** ou une fois sur le bouton **STOP** pour arrêter l'accord automatique.

NOTES:

- Pour une meilleure réception FM, déployez et ajustez l'antenne FM télescopique pour une réception optimale.
- Pendant l'écoute d'une émission FM en stéréo, si le signal est suffisamment fort, l'indication "STEREO" apparaîtra sur l'écran LCD. Si la réception est faible ou parasitée, vous pouvez appuyer sur le bouton St/Mono pour mettre l'écoute de l'émission sur MONO. Lorsque MONO est sélectionné, la réception sera meilleure, et "MONO" apparaîtra sur l'écran LCD.
- Appuyez sur le bouton **STOP** pour mettre la radio à l'arrêt.

MODE D'EMPLOI: FONCTIONNEMENT DU TUNER AM/FM

MISE EN MÉMOIRE DE STATIONS PRÉSÉLECTIONNÉES

Vous pouvez mettre en mémoire jusqu'à 20 stations FM et 10 stations AM. Suivez les étapes ci-dessous pour mettre en mémoire les stations présélectionnées:

1. Appuyez à plusieurs reprises sur le bouton **TUNER/BAND** pour choisir soit la bande AM ou FM.
2. Appuyez sur **SCAN UP/DOWN** pour sélectionner la station désirée.
3. Appuyez sur les boutons **PRESET +/PRESET -** puis choisissez la mémoire désirée avec. Une fois que la mémoire désirée est sélectionnée, appuyez sur le bouton **EQ/PROG** pour sauvegarder la mémoire.
4. Répétez les étapes 1 à 3 pour mettre d'autres stations en mémoire.

RETRouver LES STATIONS PRÉSÉLECTIONNÉES

1. Appuyez sur le bouton **TUNER/BAND** pour choisir soit la bande AM ou FM.
2. Appuyez sur les boutons **PRESET+/PRESET-** pour trouver la station mise en mémoire que vous souhaitez écouter.
3. L'arrêt au réglage à l'avance la station désirée et la station commencera la pièce automatiquement.

MODE D'EMPLOI: FONCTIONNEMENT DE L'HORLOGE/ALARME

RÉGLAGE LE TEMPS ET LA DATE LOCALES

La première fois que l'appareil est branché à une source d'alimentation ou après une longue période de non-utilisation, l'écran LCD affiche "00:00 SATURDAY JAN/01/2000 ". Vous pouvez choisir des villes nombreuses vers le monde pour servir de votre zone de temps locale. Une fois votre temps local est réglé, le joueur peut vous dire automatiquement le temps dans les villes différentes vers le monde. Suivre les étapes au dessous de régler le temps et la date locales:

1. Appuyez pendant trois secondes sur le bouton **WORLD/LOCAL** jusqu'à ce qu'un nom de ville apparaisse sur l'écran.
2. Appuyez sur le bouton **UP/DOWN** pour sélectionner votre nom local de ville ou la zone de temps.
3. Appuyez sur le bouton **SET** pour de deux seconde pour épargner. Le nom de ville change au jour de la semaine sur l'exposition de LCD.

4. Appuyez sur le bouton **SET** encore et le nom de ville reparait. L'exposition commence à clignoter l'année.
5. Appuyez sur le bouton **UP/DOWN** pour sélectionner l'année correcte.
6. Appuyez à nouveau sur le bouton **SET** pour sauvegarder le réglage de l'année. L'affichage commence à clignoter le mois.
7. Appuyez sur le bouton **UP/DOWN** pour sélectionner le mois correct.
8. Appuyez à nouveau sur le bouton **SET** pour sauvegarder le réglage du mois. L'affichage commence à clignoter le jour.
9. Appuyez sur le bouton **UP/DOWN** pour sélectionner le jour correct.
10. Appuyez à nouveau sur le bouton **SET** pour sauvegarder le réglage de la date. L'affichage commence à clignoter l'heure.
11. Appuyez sur le bouton **UP/DOWN** pour sélectionner l'heure correcte.
12. Appuyez à nouveau sur le bouton **SET** pour sauvegarder le réglage de l'heure. L'affichage commence à clignoter la minute.

MODE D'EMPLOI: FONCTIONNEMENT DE L'HORLOGE/ALARME

continué

13. Appuyez sur le bouton **UP/DOWN** pour sélectionner la minute correcte.
14. Appuyez à nouveau sur le bouton **SET** pour sauvegarder le réglage de minute. L'heure et la date sont réglées.

LE TEMPS DE MONDE DE VUE

Pour regarder le temps de monde, la presse bouton **WORLD/LOCAL** à maintes reprises jusqu'à ce que le nom de ville désiré indique, alors le temps de monde sera montré pour à peu près 4 secondes. Le "WORLD" l'indicateur clignotera en même temps sur l'exposition.

SÉLECTION DU FORMAT HORAIRE

Ce joueur a le choix de 12 ou 24 modes d'horloge d'heure qui peut être changé quand le joueur est allumé ou de. Suivez les étapes ci-dessous pour sélectionner le format horaire:

1. Appuyez sur le bouton **SLEEP** pendant environ trois secondes, HOUR MODE apparaît sur l'écran.
2. Appuyez sur le bouton **UP/DOWN** pour sélectionner le format 12 HOUR ou 24 HOUR

puis appuyez sur **SET** pour le sauvegarder.

ALARME

Réglage de l'heure d'alarme:

Suivez les étapes suivantes pour régler l'heure d'Alarm 1/Alarm 2:

1. Appuyez sur le bouton **ALARM 1/ALARM 2** pour sélectionner l'Alarme 1 ou l'Alarme 2.
2. Appuyez sur le bouton **SET** et l'indication d'heure clignote.
3. Appuyez sur le bouton **UP/DOWN** pour sélectionner le nombre d'heures désirées.
4. Appuyez à nouveau sur le bouton **SET** pour sauvegarder et l'indication de minute clignote.
5. Appuyez sur le bouton **UP/DOWN** pour sélectionner le nombre de minute désiré.
6. Appuyez à nouveau sur le bouton **SET** pour sauvegarder l'heure des minutes et l'heure de l'alarme est réglée.
7. Appuyez sur le bouton **ALARM ON/OFF** jusqu'à ce que l'ordre marche/arrêt correct soit trouvé et puis appuyez sur **SET** pour sauvegarder ou annuler. L'icône "AL 1 ou AL 2" sera affichée en conséquence sur l'écran.

NOTE:

Après le réglage de l'alarme, l'écran LCD affiche le réglage pendant environ dix secondes avant de revenir à l'horloge avec l'heure locale.

Activation/Désactivation de l'alarme

Suivez les étapes ci-dessous pour activer/désactiver Alarm 1/Alarm 2:

1. Appuyez une fois sur le bouton **ALARM ON/OFF** pour voir "Alarm 1" et "Alarm 2" sur l'écran.
2. Appuyez soit à plusieurs reprises sur le bouton **ALARM ON/OFF** ou appuyez sur les boutons **UP/DOWN** pour trouver la combinaison de réglage d'alarme désirée.
3. Appuyez sur **SET** pour épargner des montages ou les seulement boutons de relâchement pour épargner des montages.
4. Quand l'alarme semble, appuie n'importe quel bouton pour la sonnerie ou le bouton **STOP** pour l'alarme de CD/MP3 ou radio pour inactiver l'alarme. Autrement toutes alarmes automatiquement shutoff dans cinq minutes si

non manuellement inactivé avant.

- Assurez-vous que le lecteur affiche l'horloge avec l'heure locale avant d'activer les alarmes. Cela prend 5 secondes pour retourner à l'horloge avec l'heure locale après le réglage de l'horloge/alarme ou après avoir vu le réglage d'alarme.
- Le volume de l'alarme du CD/MP3 est à un niveau d'écoute du réglage précédent. N'oubliez pas de vérifier le niveau d'écoute lors du réglage des alarmes pour vous assurer que c'est à un niveau d'écoute approprié pour une alarme.
- Toutes les alarmes se mettent automatiquement à l'arrêt après cinq minutes si elles ne sont pas mises à l'arrêt manuellement avant cela.
- Pour mettre les alarmes à l'arrêt avant la mise à l'arrêt automatique prévue après cinq minutes, appuyez n'importe quel bouton pour la sonnerie ou appuyez sur le bouton **_** pour l'alarme par l'écoute d'un CD/MP3 ou pour l'alarme par l'écoute de la radio.

MODE D'EMPLOI: FONCTIONNEMENT DE L'HORLOGE/ALARME

continué

Sélection de la fonction Alarme

Par défaut, la fonction alarme est une sonnerie mais celle-ci peut être changée par l'écoute d'un CD/MP3 ou aussi bien par l'écoute de la radio.

Suivez les étapes ci-dessous pour changer la fonction d'alarme:

1. Appuyez à plusieurs reprises soit sur le bouton **ALARM MODE** ou appuyez sur les boutons **UP/DOWN** pour trouver la combinaison de la fonction d'alarme désirée.
2. Appuyez sur **SET** pour sauvegarder les réglages ou relâchez simplement les boutons pour sauvegarder les réglages.
3. Les icônes d'alarme correspondantes seront indiquées sur l'affichage.
 - Si la sonnerie (buzzer) est sélectionnée, les indications "AL 1 BUZZER" ou "AL 2 BUZZER 2" seront affichées.
 - Si la fonction d'alarme par CD/MP3/WMA est sélectionnée, l'indication "AL1 " ou "AL 2 " sera affichée.
 - Si la fonction d'alarme par radio est sélectionnée, l'indication "AL 1 RADIO" ou

"AL 2 RADIO" sera affichée.

Lorsque l'indication de fonction d'alarme désirée est affichée, arrêtez d'appuyer sur le bouton Up ou Down, et attendez pendant quelques secondes, la fonction d'alarme est réglée automatiquement, et vous pouvez aussi appuyer sur le bouton Set pour la sauvegarder dès que vous l'avez choisie .

Affichage des réglages d'alarme

Suivez les étapes ci-dessous pour afficher les réglages de l'alarme

- Appuyez une fois sur le bouton **ALARM 1/ALARM 2**, l'écran LCD affiche le réglage alarm 1 (comprend l'heure et la fonction d'alarme) pendant environ cinq secondes avant de reprendre l'affichage de l'heure locale.
- Appuyez deux fois sur le bouton **ALARM 1/ALARM 2**, l'écran LCD affiche le réglage alarm 2 pendant environs cinq secondes avant de reprendre l'affichage de l'heure locale.
- Appuyez à plusieurs reprises sur le bouton **ALARM 1/ALARM 2** pour alterner entre les réglages de l'alarme 1 et de l'alarme 2.

Fonction Snooze:

Lorsque l'alarme se met en marche, vous pouvez appuyer sur le bouton **SNOOZE** pour suspendre l'alarme pendant 5 minutes. Dans la fonction snooze, l'indication "SNOOZE" apparaît sur l'écran LCD.

7 AUTRES FONCTIONS

RÉTROÉCLAIRAGE

Le fait d'appuyer sur n'importe quel des boutons sur le lecteur allumera le rétroéclairage de l'écran LCD pendant environ 4 secondes.

FONCTION SOMMEIL (SLEEP)

La fonction Sommeil (Sleep) vous permet de régler le lecteur pour qu'il se mette automatiquement à l'arrêt après une durée prédéterminée pendant la lecture d'un disque CD/MP3 ou l'écoute de la radio. La fonction Sommeil peut être programmée pour une temporisation d'arrêt de 15, 30, 45, 60 ou 90 minutes. Suivez les étapes ci-dessous pour rendre la Fonction Sommeil active pendant que le lecteur est en marche:

1. Appuyez une fois sur le bouton **SLEEP** pour lancer la fonction sleep, et l'indication "SLEEP IN 15 MINUTES" (SOMMEIL DANS 15 MINUTES) est affichée.
2. Appuyez à plusieurs reprises sur le bouton **UP/DOWN** ou **SLEEP** pour choisir la durée de temporisation d'arrêt désirée.
3. Appuyez sur le bouton **SET** pour sauvegarder la durée de temporisation d'arrêt choisie, et l'indication "SLEEP" apparaît sur l'écran.

NOTE:

Après que le lecteur se met à l'arrêt dans la Fonction Sleep, l'indicateur SLEEP disparaît sur l'écran.

Mise à l'arrêt de la Fonction Sleep:

1. Appuyez à plusieurs reprises sur le bouton **SLEEP** jusqu'à ce que l'indication "SLEEP OFF" apparaisse sur l'écran.
2. Appuyez sur le bouton **SET** pour annuler le réglage de durée de temporisation d'arrêt. L'indication "SLEEP" disparaît sur l'écran.

RÉGLAGES DES GRAVES

Ce lecteur est équipé de trois réglages différents des graves pour une écoute optimale. Les trois réglages sont: Stéréo, TruBass, et SRS 3D. Sur le côté droit du lecteur, coulissez le commutateur linéaire des graves sur TruBass ou SRS 3D pour obtenir les effets améliorés des graves et déterminer le niveau d'écoute optimale qui vous convient. Pour le réglage "normal" sans effets améliorés des graves, placez le commutateur au milieu pour choisir le réglage Stéréo.

8 RECHERCHE DE PANNES

Avec un entretien et une utilisation appropriés, le lecteur devrait vous donner des années de fonctionnement sans problème. Cependant, s'il ne fonctionne pas correctement, utilisez ces suggestions pour voir si vous pouvez trouver et éliminer le problème. Si vous avez encore des problèmes qui persistent, contactez Etón Corporation pour obtenir l'assistance technique.

PROBLEME	CAUSE POSSIBLE	SUGGESTION
Le lecteur ne lit pas le CD/MP3/WMA.	Le disque n'est placé du côté avec l'étiquette sur le dessus. Le disque n'est pas correctement chargé.	Réinsérez le disque avec sa face imprimée sur le dessus. Chargez le disque correctement et soigneusement.
	Le disque est sale ou défectueux.	Nettoyez ou remplacez le disque CD/MP3.
	Les piles sont faibles ou vieilles.	Remplacez les piles par des neuves.
	L'adaptateur AC/DC n'est pas correctement branché.	Vérifiez et branchez correctement l'adaptateur.
Il n'y a aucun son ou le son est intermittent.	Les haut-parleurs ou les écouteurs ne sont pas correctement branchés.	Vérifiez et rebranchez correctement les fils de connexion.
	Le lecteur de CD/MP3/WMA est soumis à des vibrations ou des chocs excessifs.	Placez le lecteur sur une surface stable.
La réception du signal de la radio est faible et a des distorsions.	La fréquence des stations de radio n'est pas bien réglée.	Réglez à nouveau soigneusement la fréquence des stations de radio.
	L'antenne n'est pas correctement ajustée.	Ajustez l'antenne FM télescopique pour trouver la réception optimale.

9 SOIN ET ENTRETIEN

Suivez les suggestions ci-dessous pour prendre bien soin de votre lecteur et pour l'entretenir:

- Ne le faites pas tomber dans l'eau et évitez de l'éclabousser. Essayez-le immédiatement s'il entre en contact avec un liquide. Les liquides peuvent contenir des minéraux qui peuvent corroder les circuits électroniques.
- Utilisez et rangez le lecteur seulement dans des endroits dont la température ambiante est normale. Des températures extrêmes peuvent raccourcir la durée de vie des appareils électroniques, endommager les piles et déformer ou faire fondre les pièces en matière plastique.
- Gardez le lecteur à l'abri de la poussière et de la saleté qui peuvent causer une usure prématurée des pièces.
- Manipulez le lecteur avec soin et en douceur. S'il tombe, ses circuits électroniques peuvent être endommagés et provoquer une panne.

- Utilisez uniquement des piles neuves de la taille correcte et du type recommandé. Des piles usées peuvent fuir et libérer des produits chimiques qui abîmeront les pièces électroniques du lecteur.
- Essuyez de temps en temps le lecteur avec un chiffon humide pour en préserver l'apparence neuve. N'utilisez pas de produits chimiques abrasifs, de solvants de nettoyage ni des détergents puissants mais du savon doux et de l'eau.
- La modification ou l'altération des composants internes du lecteur peut causer une panne du lecteur et annulera sa garantie.

CONSEILS D'ENTRETIEN DES DISQUES CD/MP3

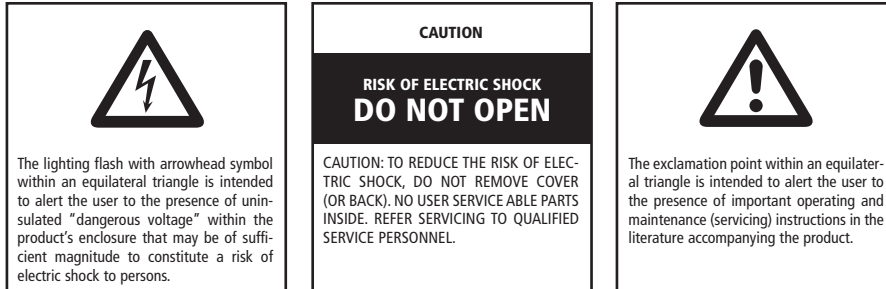
Bien que les disques CD/MP3 soient très durables, suivez les suggestions ci-dessous pour obtenir une performance optimale:

- Gardez les disques à l'intérieur du lecteur ou dans leur boîtier ou étui de protection lorsqu'ils ne sont pas utilisés.
- Tenez les disques par leurs bords afin d'éviter de laisser des empreintes qui pourraient causer des coupures ou des distorsions de son.
- N'écrivez pas sur la face du disque qui ne porte pas d'étiquette.
- Gardez les disques au sec car une goutte d'humidité peut agir comme une lentille et causer des coupures ou des distorsions de son.
- N'utilisez jamais de produits chimiques tels que des produits de nettoyage en bombe pour microsillons, des produits antistatiques en aérosol ou liquides, du benzène ou des diluants pour nettoyer les disques puisqu'ils peuvent endommager de manière permanente la surface en plastique.

CONSIGNES DE SÉCURITÉ IMPORTANTES

WARNING

- AFIN DE PRÉVENIR LES RISQUES D'INCENDIE OU DE CHOC ÉLECTRIQUE, NE PAS UTILISER CETTE FICHE AVEC UNE RALLONGE ÉLECTRIQUE, UNE PRISE MURALE OU AUTRE PRISE À MOINS QUE LES LAMES SOIENT COMPLÈTEMENT INSÉRÉES POUR ÉVITER D'EXPOSER LES LAMES.
- AFIN DE PRÉVENIR LE RISQUE D'INCENDIE OU DE CHOC ÉLECTRIQUE, NE PAS EXPOSER CET APPAREIL ÉLECTRIQUE À LA PLUIE OU À L'HUMIDITÉ.



RISK OF ELECTRIC SHOCK / DO NOT OPEN

1. Veuillez lire toutes les instructions de sécurité et de fonctionnement avant d'utiliser ce produit.
2. Veuillez conserver les instructions de sécurité et de fonctionnement pour pouvoir vous y reporter ultérieurement.
3. Respectez tous les avertissements figurant sur l'appareil électrique et dans les instructions de fonctionnement.
4. Suivez toutes les instructions relatives au fonctionnement et à l'utilisation.
5. N'utilisez pas cet appareil électrique à proximité de l'eau.
6. Nettoyez seulement avec un chiffon sec.
7. Ne pas obstruer les orifices de ventilation. Installez conformément aux instructions du fabricant.
8. N'installez pas cet appareil électrique à proximité de toute source de chaleur tels que radiateurs, chauffages, poêles ou autres appareils électriques (y compris des amplificateurs) qui produisent de la chaleur.
9. Ne tentez pas de déjouer le dispositif de sécurité de raccordement à la masse ou de polarité. Une fiche polarisée a deux lames dont une plus large que l'autre. Une fiche de terre a deux lames et une troisième broche pour la mise à la terre. La lame large ou la troisième broche est fournie pour votre sécurité. Si la fiche fournie ne rentre pas dans votre prise secteur, consultez un électricien pour le remplacement de la prise périmée.
Attention: Afin de prévenir le risque de choc électrique, faites correspondre la lame large de la fiche avec la fente large de manière qu'elle soit complètement insérée.
10. Protégez le cordon d'alimentation afin qu'on ne puisse pas marcher dessus ni l'écraser, en particulier au niveau des fiches, des prises murales, et à la sortie de l'appareil électrique.
11. Utilisez seulement des pièces/accessoires spécifiées par le fabricant.
12. Débranchez cet appareil durant les orages ou lorsqu'il n'est pas utilisé pendant de longues périodes.
13. Tout service doit être confié à un réparateur agréé. Le service est exigé lorsque l'appareil a été endommagé d'une manière ou d'une autre, tel que le cordon d'alimentation ou la fiche est endommagée, un liquide a été répandu ou des objets sont tombés dans l'appareil, l'appareil a été exposé à la pluie ou à l'humidité, l'appareil ne fonctionne pas normalement, or il est tombé.

Cet appareil électrique ne doit pas être exposé à l'écoulement ou l'éclaboussement d'eau et aucun objet rempli de liquide tels que des vases ne doit être placé sur l'appareil.

11 CARACTÉRISTIQUES TECHNIQUES

Réponse en fréquence (+/-4dB).....	20-20.000 Hz
Fréquence d'échantillonnage	44,1 kHz
Suréchantillonnage	8 fois
Longueur d'onde.....	780 nm
Fréquence radio – FM	(pour les États-Unis) 87,5-107,9 MHz (0,05 MHz par incrément) (pour l'Europe) 87,5–108MHz
Fréquence radio – AM	(pour les États-Unis) 530---1710KHz et incrément de 10KHz (pour l'Europe) 531–1602KHz
Alimentation	Quatre piles AA alcalines Adaptateur AC/DC (DC 7,5V, 800mA)
Puissance de sortie	600mA
Dimensions (Hauteur, largeur, profondeur)	38 x 145 x 169.4mm
Poids (sans piles)	0,52kg

12 RENSEIGNEMENTS SUR LES SERVICES

RENSEIGNEMENTS SUR LES SERVICES

Pour obtenir de plus amples renseignements ou de l'assistance, vous pouvez contacter le Service des réparations de Etón en appelant les numéros sans frais suivant, du lundi au vendredi, de 8 h 30 à 16 h, heure normale du Pacifique:

1-800-872-2228 (AUX ÉTATS-UNIS)

1-800-673-1648 (AU CANADA)

Veillez appeler pour obtenir un Numéro d'autorisation de retour avant d'expédier votre appareil. Si vous voulez renvoyer votre appareil pour le faire réparer, emballez soigneusement le récepteur en utilisant sa boîte d'origine ou une autre boîte appropriée. Inscrivez lisiblement votre adresse de retour sur la boîte d'expédition et sur la lettre jointe qui décrit la réparation nécessaire, les symptômes ou les problèmes. Veuillez inclure aussi le numéro de téléphone où l'on peut vous joindre pendant la journée, ainsi qu'une copie de votre preuve d'achat. Le récepteur sera réparé selon les modalités de la Garantie limitée de Etón et vous sera retourné.

13 LA GARANTIE LIMITÉE DE UN AN

Etón garantit à l'acheteur initial que ce produit sera exempt de tout défaut de matériau ou de main-d'oeuvre pendant une année à partir de la date de l'achat initial.

Pendant la durée de la garantie, Etón ou un centre accrédité de réparation Etón fournira, gratuitement, les pièces et la main-d'oeuvre nécessaires pour corriger les vices de matériau et de main-d'oeuvre. En outre, Etón peut choisir de remplacer un appareil défectueux.

1. Remplissez et envoyez la Fiche d'enregistrement de la garantie dans les dix (10) jours qui suivent la date de l'achat.
2. Appelez Etón ou le centre accrédité de réparation le plus proche, aussitôt que possible après la découverte d'une possibilité de vice. Soyez prêt à donner :
 - a. le numéro de modèle et le numéro de série.
 - b. le nom du revendeur et la date approximative de l'achat.
 - c. une description détaillée du problème, y compris les détails sur les branchements électriques à l'équipement associé et la liste de cet équipement.

3. Etón vous donnera un numéro d'Autorisation de retour et l'adresse à laquelle vous pouvez envoyer l'appareil. Envoyez l'appareil dans sa boîte d'origine ou une boîte équivalente, entièrement assuré et les frais de port payés à l'avance.

Un entretien, des réparations et une utilisation corrects sont importants pour obtenir un bon fonctionnement de ce produit. Veuillez donc lire soigneusement ce Mode d'emploi. Cette garantie ne s'applique pas aux défauts qui, selon l'évaluation de Etón, ont été provoqués par :

1. un entretien ou des réparations incorrects, y compris l'installation de pièces ou d'accessoires qui ne sont pas conformes à la qualité et aux spécifications des pièces d'origine.
2. une utilisation incorrecte, abusive ou négligente, ou une installation incorrecte.
3. des dégâts accidentels ou intentionnels.
4. une fuite des piles.

Toutes les garanties implicites, le cas échéant, y compris les garanties de valeur marchande et d'aptitude à une utilisation particulière, cessent une (1) année après la date de l'achat initial.

LA GARANTIE LIMITÉE DE UN AN

continué

Ce qui précède constitue l'ensemble des obligations de Etón envers ce produit, et l'acheteur initial n'aura aucun autre recours ni réclamation pour des dommages indirects ou consécutifs, des pertes ou des dépenses. Certains états n'autorisent aucune limitation sur la durée d'une garantie implicite ou ne permettent pas les exclusions ou les limitations sur les dommages indirects ou consécutifs, et donc les limitations et exclusions ci-dessus peuvent ne pas s'appliquer à vous.

Cette garantie vous donne des droits juridiques précis, et vous pouvez également avoir d'autres droits qui varient d'état en état.

POUR OBTENIR DE PLUS AMPLES RENSEIGNEMENTS SUR LES SERVICES, CONTACTEZ :

Etón Corporation
1015 Corporation Way
Palo Alto, CA 94303
États-Unis

From the United States: (800) 872-2228
From Canada: (800) 637-1648
From Everywhere Else: (650) 903-3866
Email: customersvc@etoncorp.com
Internet: www.etoncorp.com

Etón Corporation
1015 Corporation Way
Palo Alto, California 94303
USA



Free Manuals Download Website

<http://myh66.com>

<http://usermanuals.us>

<http://www.somanuals.com>

<http://www.4manuals.cc>

<http://www.manual-lib.com>

<http://www.404manual.com>

<http://www.luxmanual.com>

<http://aubethermostatmanual.com>

Golf course search by state

<http://golfingnear.com>

Email search by domain

<http://emailbydomain.com>

Auto manuals search

<http://auto.somanuals.com>

TV manuals search

<http://tv.somanuals.com>