

# EUREKA

## Upright Vacuum Cleaner

Household Type

## Owner's Guide

## 4670 Series

---

### Index

Important Safeguards .....	2
Service Information .....	4
Assembly .....	5-6
Use .....	7
Thermal Cut Off .....	4 & 7
Accessories .....	8
Dirt Alert .....	9
Brush Roll .....	10
Brush Roll Belt .....	10-11
Dust Bag .....	11-12
Hose Blockage .....	13-14
Filters .....	15
HEPA Filter .....	15
Light Bulb .....	16
Problem Solving .....	18
Customer Order Form .....	19
Warranty .....	21

### **IMPORTANT**

**Do not return this product to the store.**

**For assembly problems or questions contact:** Eureka's Customer Service Division toll free at 1-800-282-2886\*, 7 a.m. to 8 p.m., Central Standard Time, Monday through Saturday.

**For replacement of broken or missing items** to be shipped direct to you, call 1-800-438-7352\*, 8 a.m. to 4:45 p.m., Central Standard Time, Monday through Friday.

\*En Mexico llame al 5670-6169



# IMPORTANT SAFEGUARDS

When using an electrical appliance, basic precautions should always be followed, including the following:

**READ ALL INSTRUCTIONS BEFORE USING THIS VACUUM CLEANER.**

## WARNING

**To reduce the risk of fire, electric shock, or injury:**

- Do not use outdoors or on wet surfaces.
- **Do not leave vacuum cleaner when plugged in.** Turn off the switch and unplug the electrical cord when not in use and before servicing.
- Do not allow to be used as a toy. Close attention is necessary when used by or near children.
- Use only as described in this manual. Use only manufacturer's recommended attachments.
- Do not use with damaged cord or plug. If vacuum cleaner is not working as it should, has been dropped, damaged, left outdoors, or dropped into water, return it to a service center before using.
- Do not pull or carry by cord, use cord as a handle, close a door on cord, or pull cord around sharp edges or corners. Do not run vacuum cleaner over cord. Keep cord away from heated surfaces.
- Do not use extension cords or outlets with inadequate current carrying capacity.
- Turn off all controls before unplugging.
- Do not unplug by pulling on cord. To unplug, grasp the plug, not the cord.
- Do not handle plug or vacuum cleaner with wet hands.
- Do not put any object into openings. Do not use with any opening blocked; keep free of dust, lint, hair, and anything that may reduce airflow.
- This vacuum cleaner creates suction and contains a revolving brush roll. Keep hair, loose clothing, fingers, and all parts of body away from openings and moving parts.
- Do not place cleaner on furniture or stairs as the brush roll may cause damage. Place cleaner on floor with the handle in storage position while using attachments.
- Do not pick up anything that is burning or smoking, such as cigarettes, matches, or hot ashes.
- Do not use without dust bag in place.
- Belt pulleys can become hot during normal use. To prevent burns, avoid touching the belt pulley when servicing the drive belt.
- Use extra care when cleaning on stairs.
- Do not use to pick up flammable or combustible liquids such as gasoline, or use in areas where they may be present.
- Store your cleaner indoors in a cool, dry area.
- Keep your work area well lighted.
- Unplug electrical appliances before vacuuming them.

# SAVE THESE INSTRUCTIONS

# CONSEILS DE SÉCURITÉ

Lors de l'utilisation d'un appareil électrique, quelques précautions élémentaires doivent être observées, incluant les suivantes:

**LISEZ TOUTES LES INSTRUCTIONS AVANT D'UTILISER VOTRE ASPIRATEUR.**

## AVERTISSEMENT

**Pour réduire le risque de feu, de choc électrique, ou de blessure:**

- Ne pas utiliser à l'extérieur ou sur des surfaces mouillées.
- **Fermez le commutateur et débranchez l'appareil lorsque vous ne l'utilisez pas ou avant le nettoyage ou l'entretien.**
- Ne permettez pas qu'il soit utilisé comme jouet. Une attention particulière est nécessaire lorsque utilisé par ou près d'un enfant.
- Suivez les recommandations d'utilisation de ce manuel. Utilisez uniquement les accessoires recommandés par le fabricant.
- Ne pas utiliser si le cordon ou la fiche sont endommagés. Si l'aspirateur ne fonctionne pas comme il le devrait, s'il a été échappé, s'il est endommagé, s'il a été laissé à l'extérieur ou échappé dans l'eau, retournez-le à un centre de service avant d'utiliser.
- Ne pas le tirer ou le transporter par le cordon, ne pas utiliser le cordon en guise de poignée. Ne pas fermer une porte sur le cordon ou tirer le cordon sur des coins ou bordures pointus. Ne pas circuler sur le cordon avec l'aspirateur. Tenir le cordon à distance des surfaces chauffantes.
- Ne pas utiliser des rallonges ou des prises qui n'ont pas de capacité suffisante pour transporter le courant.
- Fermer tous les contrôles avant de débrancher.
- Ne pas débrancher en tirant sur le cordon. Pour débrancher, tenez la fiche et non le cordon.
- Ne pas manipuler la fiche ou l'aspirateur avec les mains mouillées.
- Ne pas rien insérer dans les ouvertures. Ne pas utiliser si des ouvertures sont bloquées; assurez-vous qu'elles soient dégagées de poussière, mousse, cheveux ou toute autre chose qui pourrait réduire le passage de l'air.
- Cet aspirateur crée de la succion et contient un rouleau-brosse tournant. Tenir les parties mobiles et les ouvertures loin des cheveux, du linge, des doigts et de toute partie du corps.
- Ne pas mettre l'aspirateur sur les meubles ou sur les escaliers car le rouleau-brosse peut faire des dommages. Placer l'aspirateur sur le plancher avec le manche en entreposage position temps que les accessoires sont en usage.
- Ne pas ramasser des objets qui brûlent ou fument comme les cigarettes, allumettes ou cendres chaudes.
- N'utilisez pas sans le sac de poussière en place.
- Les poulies du courroie peuvent devenir chaudes pendant l'utilisation normale. Pour prévenir des brûlures, évitez de touché la poulie du courroie lorsque vous réparez la courroie.
- Portez une attention particulière lorsque vous nettoyez les escaliers.
- Ne pas utiliser pour ramasser des liquides inflammables ou combustibles comme de l'essence: Ne pas utiliser dans les endroits où ces liquides pourraient être présents.
- Entrez votre aspirateur à l'intérieur dans un endroit propre et sec.
- Maintenez un bon éclairage à l'endroit où vous travaillez.
- Débrancher les appareils électrique avant de les balayer.

## CONSERVEZ CES INSTRUCTIONS

**To reduce the risk of electric shock**, this appliance has a polarized plug (one blade wider than the other). This plug will fit in a polarized outlet only one way. If the plug does not fit fully in the outlet, reverse the plug. If it still does not fit, contact a qualified electrician to install the proper outlet. Do not change the plug in any way.

**Afin de réduire le risque de choc électrique**, cet appareil est muni d'une fiche polarisée (une des lames est plus large). Cette fiche ne peut être insérée dans une prise polarisée que d'une seule façon. Si la fiche ne peut être insérée dans la prise, retourner la fiche. Si la fiche ne peut toujours pas être insérée dans la prise, faire installer une prise adéquate par un électricien qualifié. Ne pas modifier la fiche.

## GENERAL INFORMATION

The cleaner is designed to pick up dirt and dust particles. Avoid picking up hard or sharp objects with the cleaner to prevent bag tears, hose clogs, and fan blade breakage with subsequent motor damage.

## Service Information

The instructions in this booklet serve as a guide to routine maintenance. For additional service information telephone our toll free number for the nearest Eureka Authorized Warranty Station. **You should know the model, type and serial numbers when you call:**

**USA: 1-800-282-2886**  
**Mexico: 5670-6169**  
**Canada: 1-800-282-2886**

If you prefer, you can write to The Eureka Company, Service Division, 807 North Main Street, Bloomington, Illinois 61701, USA. In Canada write to The Eureka Company, 866 Langs Drive, Cambridge, Ontario N3H 2N7. Refer to The Eureka Limited Warranty for complete service information.



**DO NOT OIL the motor or the brush roll at any time. The bearings are permanently lubricated and sealed.**

## Rating Plate

The model, type, and serial numbers are indicated on the rating plate located on the underneath side of the cleaner. For prompt and complete service information, always refer to these numbers when inquiring about service.

**Model & Type** \_\_\_\_\_

**Serial No.** \_\_\_\_\_

MODEL	TYPE	SERIAL NO.
VOLTS	AMPS.	HERTZ
SERVICE INFORMATION: 1-800-282-2886		
<b>THE EUREKA COMPANY</b>		
BLOOMINGTON, ILLINOIS 61701		

## Thermal Cut Off

This vacuum cleaner has a special thermostat that protects the cleaner in case of motor overheating. If the cleaner suddenly shuts off, push the switch pedal once and unplug the cleaner. Check the cleaner for a possible source of overheating such as a full bag, a blocked hose or clogged filter. If these conditions are found, fix them and wait at least 30 minutes before attempting to use the cleaner. After the 30 minute period, plug the cleaner back in and turn on the switch. If the cleaner still does not run, then take it to a Eureka Authorized Service Center for repair.

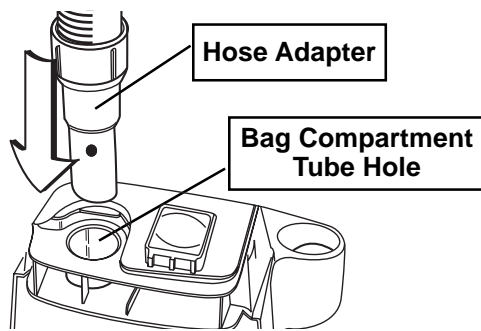
## HOW TO ASSEMBLE

**CAUTION:** Assemble the cleaner before using.

**CAUTION:** Moving parts, stay clear of brush roll when plugging in.

**NOTE:** Features may vary by model yet all parts assemble the same.

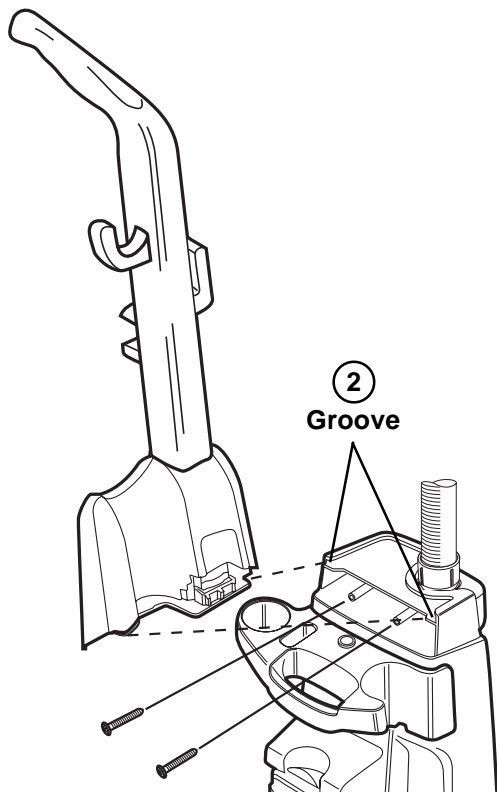
### Step A Attach Hose



1. To attach hose, insert the hose adapter into the bag compartment tube hole.

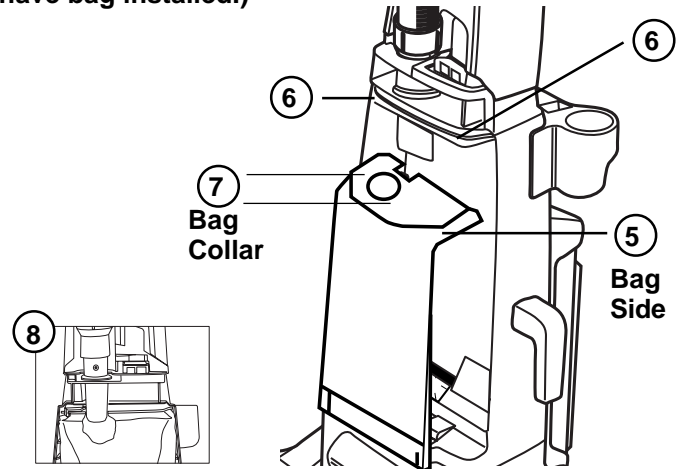
### Step B Attach Handle

**CAUTION:** Do not catch cord under handle.



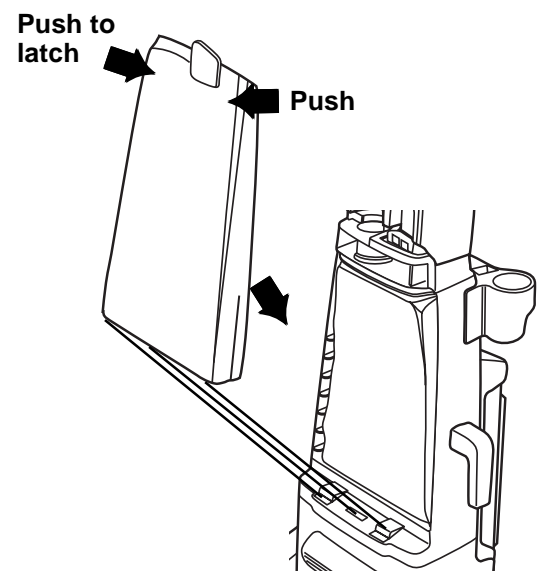
2. From rear of cleaner, align handle with groove and slide onto cleaner. If necessary, use thumb and finger pressure to slide handle into position.
3. Attach handle with two 5/8 inch screws in the assembly packet. Use either a slotted or Phillips® head screwdriver.
4. Lift up on the hose adapter to be sure it is secured.

### Step C Install Dust Bag (Some models may have bag installed.)



5. Fold sides on new paper bag below bag collar.
6. Align bag collar hole and notch with hose tube.
7. Place rear of bag collar on ledges. Push back and rotate upward until firmly in place.
8. Make sure collar snaps into position and hose tube is securely inserted into bag collar hole. Tuck bag into bottom and along sides.
9. Align front cover tabs and close cover. Make sure paper bag is not caught under the front cover.

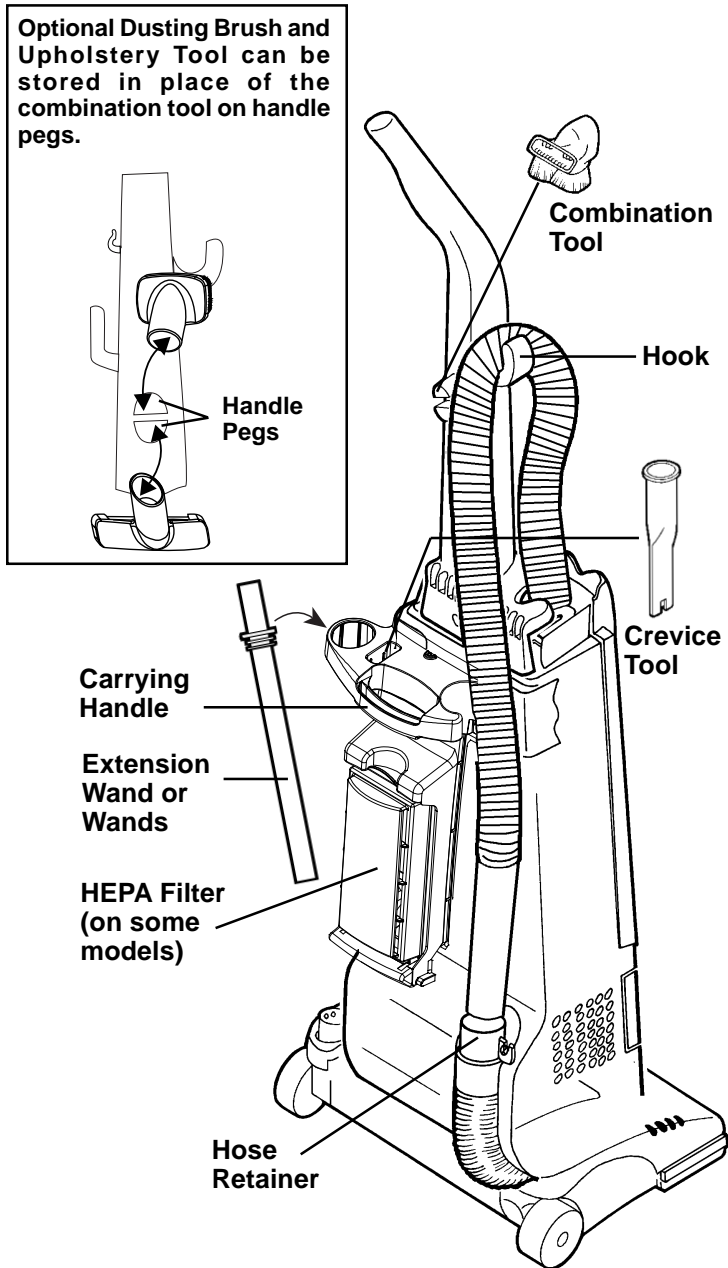
### Step D Attach Bag Cover



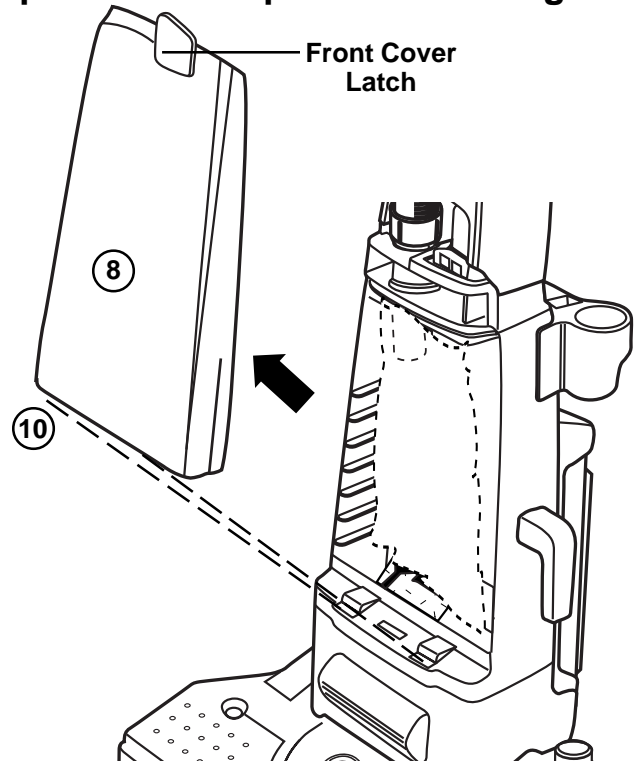
10. Place front cover by aligning tabs at bottom of front cover into slots on cleaner. Pivot front cover toward cleaner and push firmly, gripping at the top of the bag cover, until latch is secure.

## Step E Store Hose and Accessories

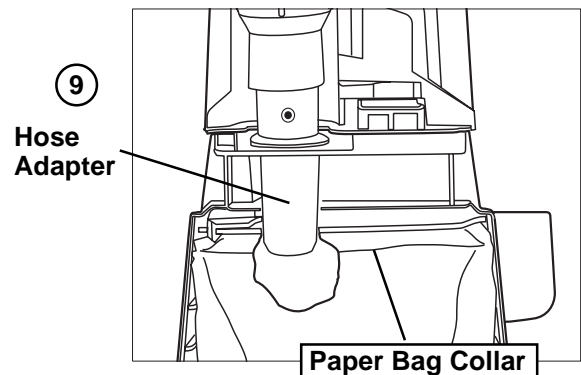
Optional Dusting Brush and Upholstery Tool can be stored in place of the combination tool on handle pegs.



## Step F Check Disposable Dust Bag

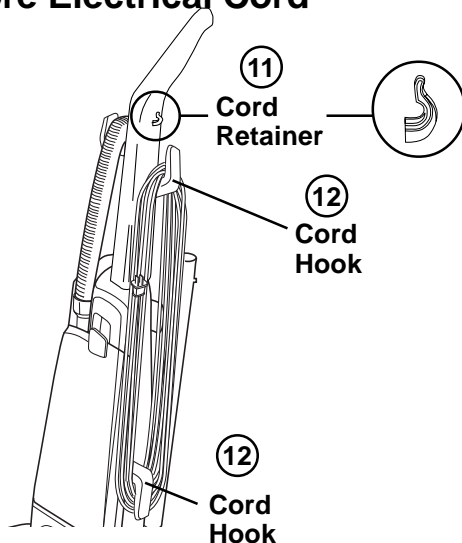


- Remove front cover by pulling out on the front cover latch and lifting the front cover upward and out.



- Check to be sure the paper bag collar is secure with the hose adapter inside the paper bag collar.
- Replace front bag cover.

## Step G Store Electrical Cord



- You will find your cord retainer on the handle above the upper cord hook. Firmly push the electrical cord down into the cord retainer. This will place the cord out of the way the next time you vacuum.
- Next wind the cord around the two cord hooks on the left side of cleaner.

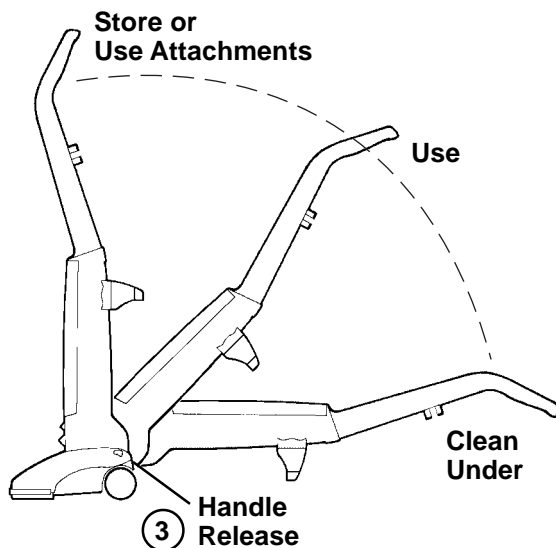
**NOTE:** For easier access to bag compartment, when you store the electrical cord use a figure 8 pattern.

- Secure the plug to the cord to prevent unwinding.

## HOW TO USE

The upright vacuum cleaner design allows use on multiple types of carpeting and on upholstery or bare floors with attachments. **When using the attachment tools, place the handle in the upright position. Do not place cleaner on furniture or steps as the brush roll may cause damage.**

1. Adjust cleaner height setting knob to lowest position for maximum cleaning. Adjust to a higher setting to make pushing easier. For ease in moving the adjustment knob, place handle in operating position and tilt cleaner back to remove weight from front wheels.
2. Unwind all of the electrical cord. Located above the cord hook is the cord retainer. Firmly push the electric cord down into the cord retainer. Using the cord retainer will keep the electric cord up, out of the way while vacuuming.
3. Plug electrical cord into outlet.
4. Step on handle release. Pull handle back to a comfortable position.
5. Push On or Off power switch.



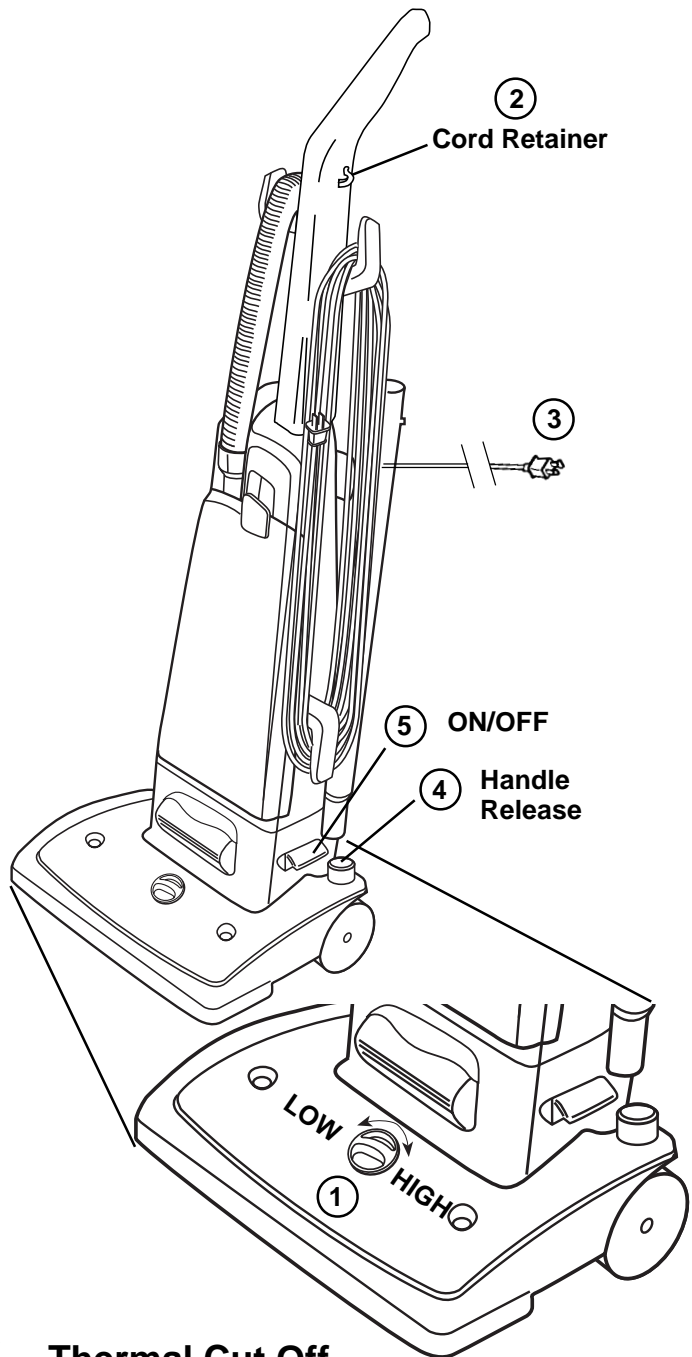
### Cleaner Height Setting

**WARNING:** Avoid injury. Keep loose clothing, hair, fingers, and all other parts of body away from any moving part (such as the revolving brush). Turn off the switch and unplug the cleaner before changing the cleaner height setting.

The front of the cleaner has an adjustment that raises or lowers the cleaner base to match the type of carpet. With the cleaner cord unplugged, set the adjustment to lowest setting for maximum cleaning. If the cleaner is difficult to push, move adjustment to next highest setting until cleaner is comfortable to push. The brush roll must reach the carpet for effective cleaning.

**NOTE:** For ease in moving the adjustment knob, place handle in operating position and tilt cleaner back to remove weight from front wheels.

**NOTE:** When handle is in upright position, brush roll is lifted off carpet. This is normal. Height adjustment will not change brush roll level until the cleaner's handle is moved into the operating position.



### Thermal Cut Off

This cleaner has a special thermostat that protects the cleaner in case of motor overheating. If the cleaner suddenly turns off, follow this procedure:

1. Push on/off pedal once.
2. Unplug cleaner.
3. Check for source of overheating problem (i.e. full bag, clogged hose or clogged filter).
4. If a full bag, clogged hose or clogged filter is found, replace the bag, unclog the hose or replace the filters.
5. Wait at least 30 minutes before attempting to reuse the cleaner.
6. After 30 minute cool down period, plug the cleaner in and push the switch pedal. The cleaner should turn on.
7. If the cleaner still does not operate, take it to any Eureka Authorized Service Center for repair.

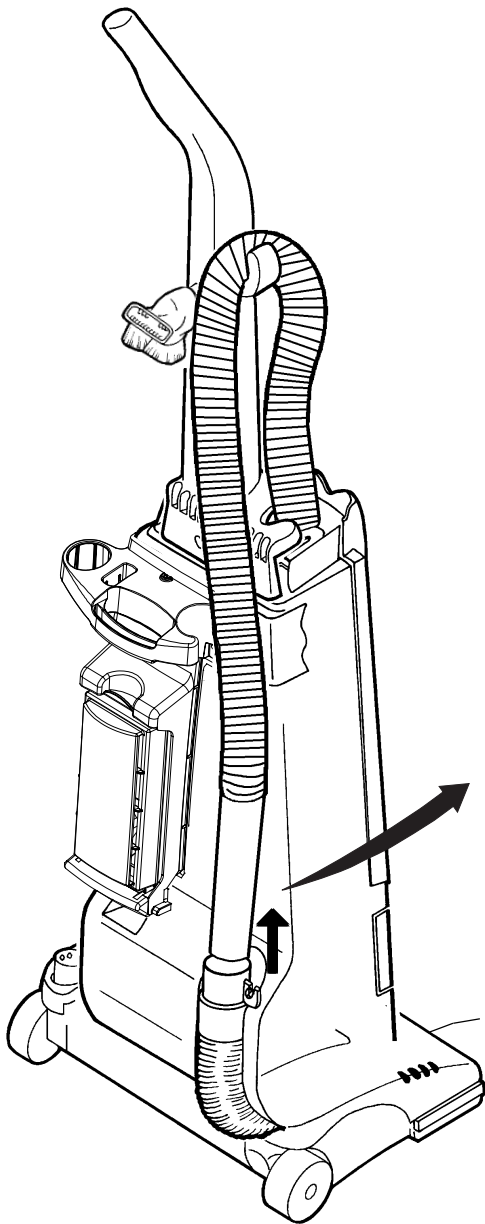
## How To Use Accessories

**NOTE:** Do not place cleaner on furniture or steps as the brush roll may cause damage. Place cleaner on floor with the handle in storage position while using accessories.

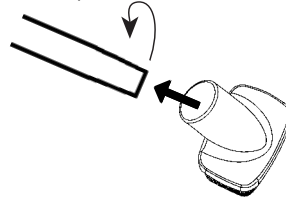
Depending on which cleaner you purchased, you can have any combination of the following accessories.

1. Remove hose from rear of cleaner.
2. Place desired accessory onto end of hose.

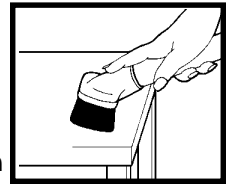
**⚠ Always work with the cleaner below you, pulling hose from side of cleaner; not the back or the front of the cleaner.**



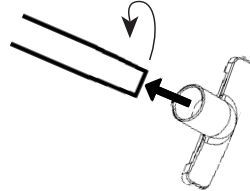
**Dusting Brush** is for furniture, blinds, books, lamp shades, shelves. (On some models.)



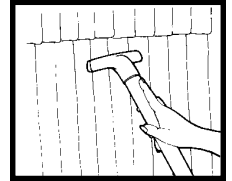
Dusting Brush



**Upholstery Nozzle** is for curtains, draperies, cushions, fabrics. (On some models.)

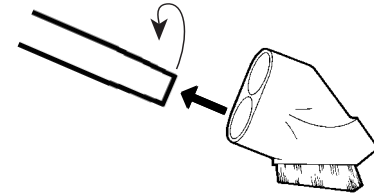


Upholstery Nozzle

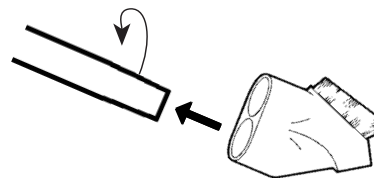
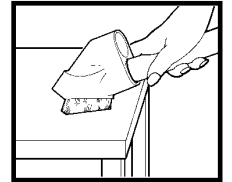


**Combination Tool** gives two types of cleaning tools. (On some models.)

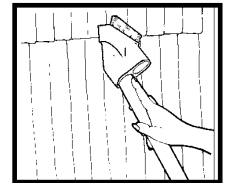
- Use brush side to dust furniture, blinds, books, lamps, shelves.
- Use upholstery side for curtains, draperies, cushions, fabrics.



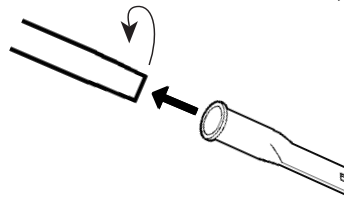
Dusting Side



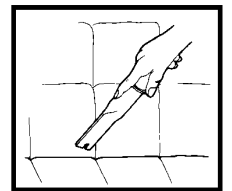
Upholstery Side



**Crevice Tool** cleans corners, baseboards, between cushions.

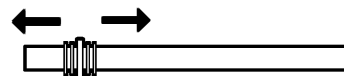


Crevice Tool

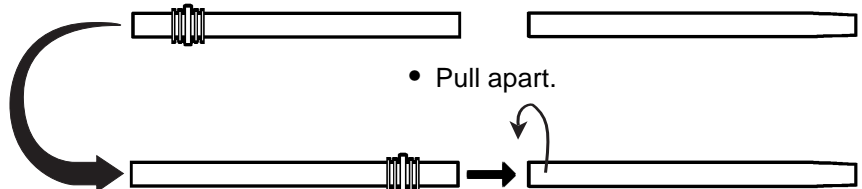


**Extension Wands** (Some models use 1 wand)

**Nested extension Wands** to add reach.



- Grasp both wands near ridges.



- Pull apart.

- Turn ridge end to center.
- Push wands together.



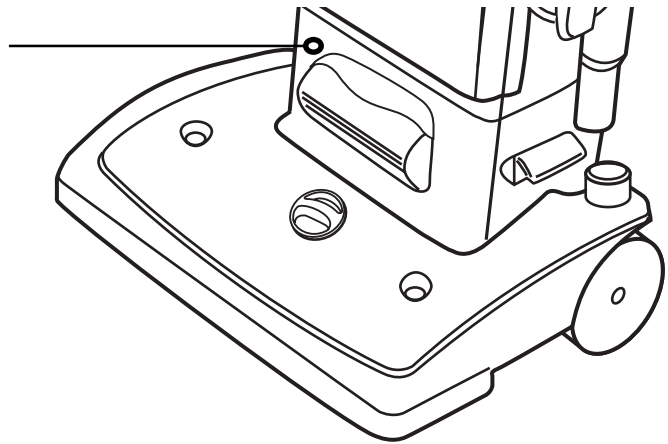
## Maintenance of Dirt Alert Feature (On some models)

The dirt alert sensor uses infra-red technology to indicate whether or not floors are clean. When debris breaks the light beam, the red light comes on indicating additional cleaning is needed in this area. If there is no break in the light beam, the floor is clean and no light will come on.

When using your new vacuum you may be cleaning deep down hidden dirt missed by your old vacuum causing the light to stay red longer. With frequent cleaning, after the first few times you use your new Eureka vacuum, the red light should go on less.

**NOTE: The dirt alert feature is not intended to be used for above the floor cleaning with attachments.**

The **red** light indicates dirt, dust, etc. is still being removed from the area being cleaned.



## How to Check the Dirt Alert Sensors

To check if dirt sensor is working properly.

1. While the red light is on, tip the vacuum backwards on rear wheels, lifting the brush roll off the carpet a couple of inches.
2. After a few seconds the red light should turn off.

**HINT: New carpeting has loose carpet fibers which will trip the red light sensor beam.**

## HOW TO MAINTAIN

The instructions in this booklet serve as a guide to routine maintenance. To avoid unnecessary service calls, check the bag, belt, and brush roll often.

### Brush Roll

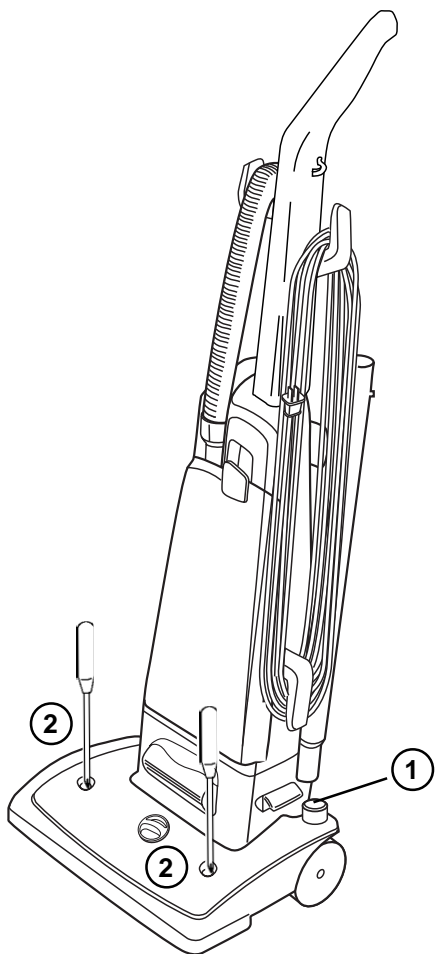
The brush roll turns as it sweeps and combs the carpet nap. Remove hair and threads from the brush roll so it continues brushing the carpet. To maintain the most efficient cleaning, the bristles must touch the carpet. To test the bristle length, hold a ruler against the underneath side of the cleaner. If the bristles no longer touch the ruler, replace the brush roll.

### Brush Roll Belt

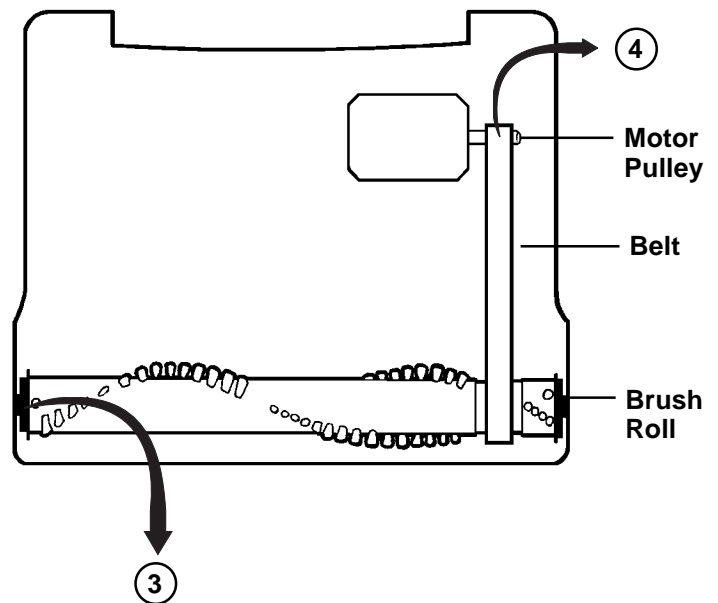
The brush roll belt turns the brush roll to agitate, sweep, and comb the carpet nap. Check the belt regularly to be sure it is in good condition. Replace the belt if it stretches, cracks or loses tension. Cut away any hair or threads wound around the brush roll or the belt pulley because the buildup could cause the belt to rotate unevenly.

### How To Replace Brush Roll Belt

**NOTE:** Turn off the switch and unplug the electrical cord before replacing belt. Belt pulleys can become hot during normal use. To prevent injury, avoid touching the motor pulley when checking the belt.



1. Lower handle to floor to change belt.
2. Loosen, but do not remove, two screws to release hood. Lift hood to remove.

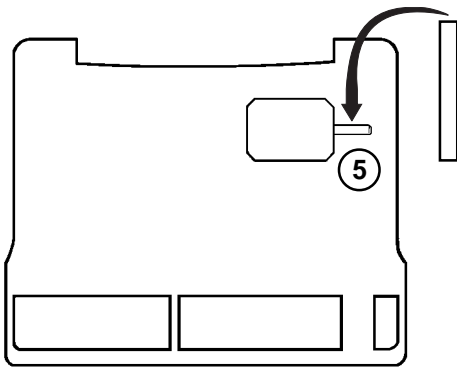


3. Lift left end of brush roll.
4. Remove and discard belt.

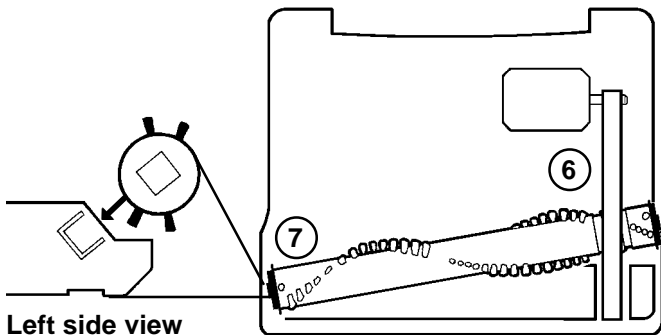
## Disposable Dust Bag and Filters

The disposable dust bag plays a very important role in the efficiency of a vacuum cleaner. The purpose of the paper bag is to trap dirt. As the bag traps dirt, it must also be porous enough to allow air to pass on through. If the paper bag becomes clogged, no air can pass through the cleaner and no cleaning can take place regardless of how powerful the unit. Change the dust bag and check the filters frequently. Some fine particles can restrict airflow very quickly and will decrease performance even before the bag appears to be full.

When vacuuming carpet fresheners or cleaners, powder, plaster dust, or similar fine substances, the bag and filters may require more frequent maintenance.



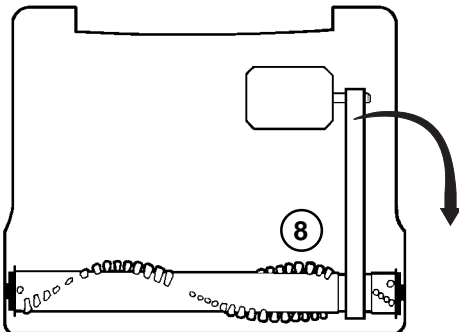
5. Place new belt around motor pulley.



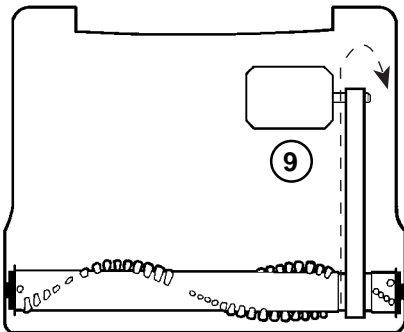
Left side view

6. Place belt around brush roll pulley.

7. Align left end cap with square in base. Push end cap into place; see left side view.



8. Pull right side of brush roll to stretch belt. Secure right end cap into base.



9. Rotate brush roll to seat belt.

10. Replace the hood. Make sure hood front is behind furniture guard. Hood should seat onto self-locating screw tabs.

11. Tighten screws.

**Use GENUINE EUREKA replacement belt, 54312. Look for the GENUINE EUREKA product symbol.**

## How To Replace Bags—Style AA Filteraire

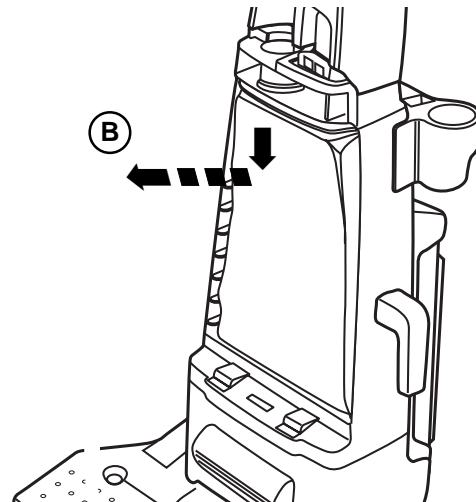
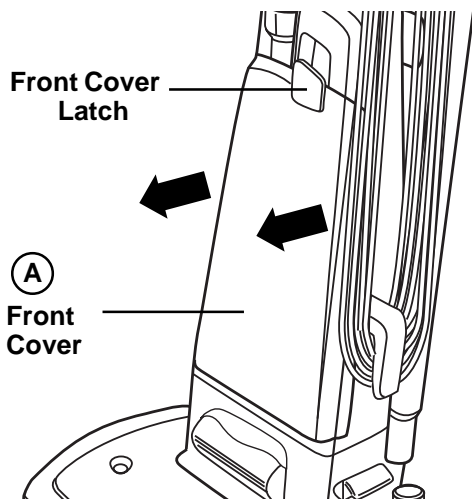
**NOTE:** Turn off the switch and unplug the electrical cord before changing dust bag. Never operate the vacuum cleaner without the dust bag or the filter.

**NOTE:** Style AA Filteraire bags must be used to maintain HEPA grade filtration and prolong the life of the HEPA filter. We recommend using only Genuine Eureka Filteraire Bags, part number 58623.

**NOTE:** Models without HEPA filter option, may use Style AA bags, part number 58236, rather than Style AA Filteraire.

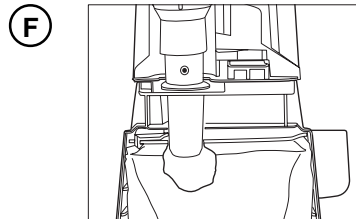
It may be more convenient to lower the handle to the floor before changing the bag.

### To Remove Bag:



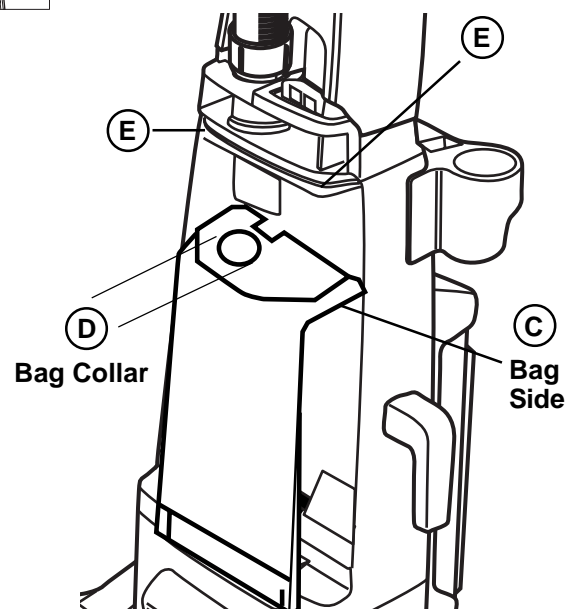
A. Remove front cover by unlatching the front cover latch and lifting the front cover upward and out.

B. Remove left side of bag collar from bag collar retainer. Grasp bag collar; pull down slightly and out to remove bag.



### To Replace New Bag:

- C. Fold sides on new paper bag below bag collar.
- D. Align bag collar hole and notch with hose tube.
- E. Place rear of bag collar on ledges. Push back and rotate upward until firmly in place.
- F. Make sure collar snaps into position and hose tube is securely inserted into bag collar hole. Tuck bag into bottom and along sides.
- G. Align front cover tabs and close cover. Make sure paper bag is not caught under the front cover.



# How to Check and Clear Hose Blockages

Low suction or poor pickup may be due to a blockage in the vacuum cleaner.

1. Remove hose and check suction at end of hose - if little or no suction, check disposable dust bag. Change if needed. If no improvement proceed to step 2.

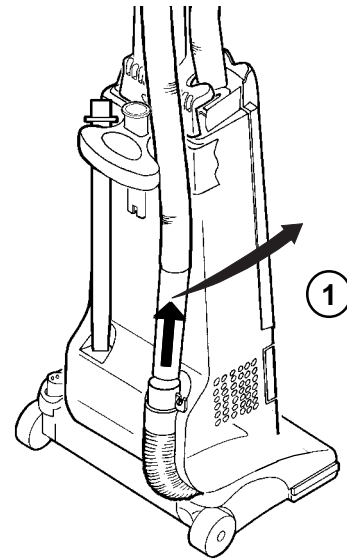
**NOTE:** Turn off the switch and unplug the electrical cord before clearing hose.

2. Disconnect the hose adapter from the unit. Press adapter button on hose adapter and lift up.

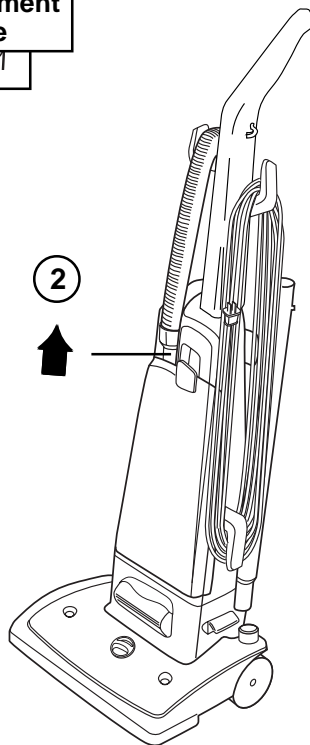
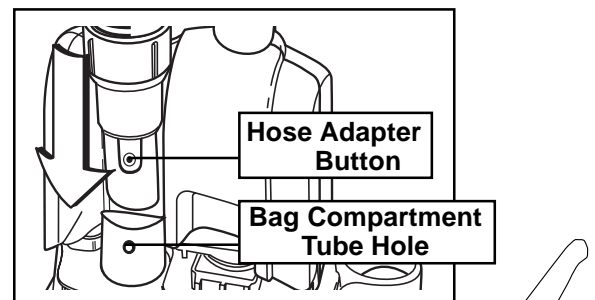
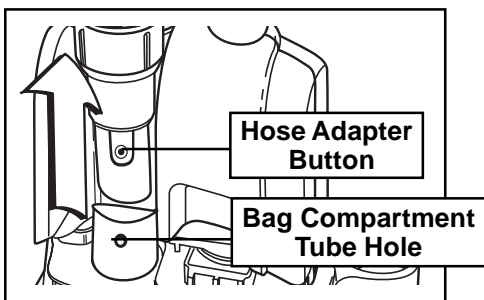
Check for any obstructions that may be in the hose. Any obstructions can be removed by using a blunt instrument to clear the hose. Flexing the hose may help loosen the clog.

3. Reinstall the hose after clearing the clog. Insert the hose adapter button into the bag compartment tube hole. Lift up on the hose adapter to be sure it is secured.

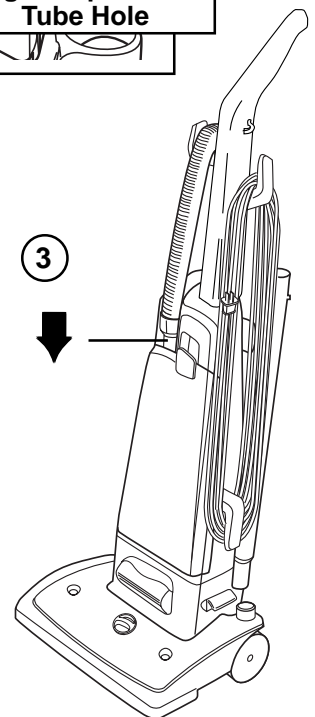
**NOTE:** If no improvement in performance on carpet, proceed to following page.



1. Remove hose and check suction at end of hose.

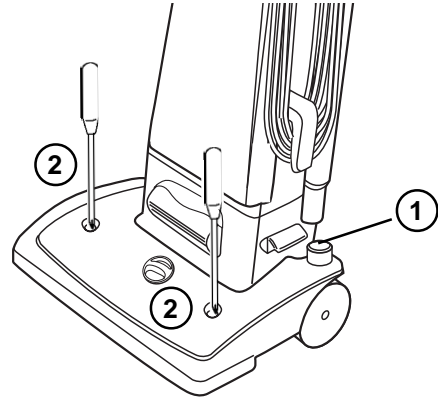
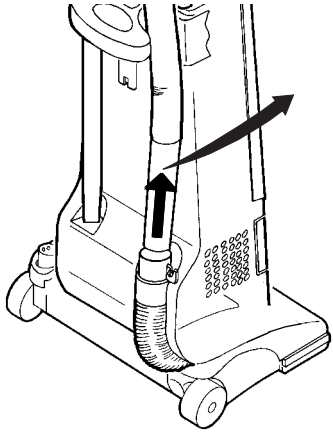


2. Disconnect Hose.



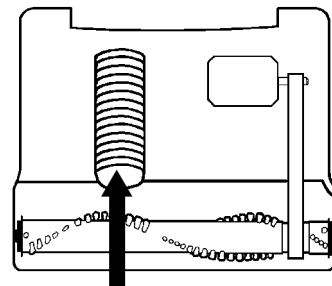
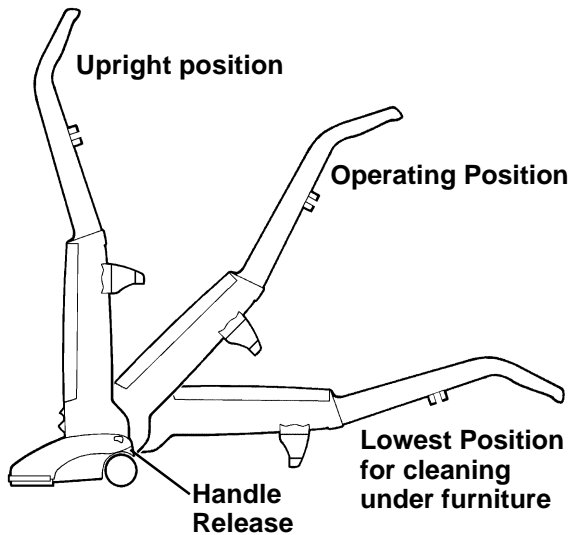
3. Reinstall the hose.

## How to Check and Clear Blockages in Base



1. Remove the attachment hose from the lower hose retainer and look into the hose retainer for any obstructions. Proceed to Step 2 to check for any other blockages.

2. Remove the hood by loosening the two screws located on the top of the hood and lifting upward.



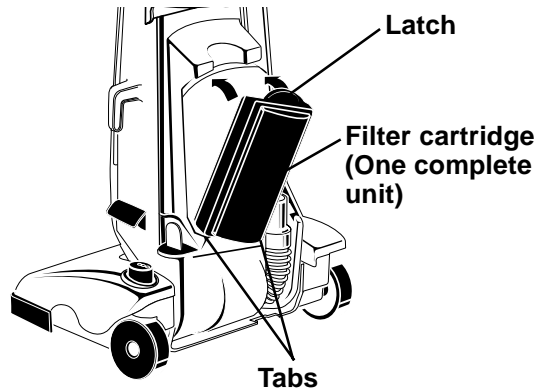
3. Step on the handle release and lower the handle all the way to the floor.

4. Check for blockages in the brush roll area and remove any obstructions found there. The base hose can be cleared of any blockage by using a blunt instrument.

5. After the blockage is removed, replace the hood and tighten the two hood screws (see Fig. 2). Raise the handle to the upright position (see Fig. 3) and replace the hose into the lower hose retainer.

## HEPA Cartridge Filters (Only for models with HEPA.)

Check the HEPA filters with each disposable dust bag change. Replace twice a year or after every six bag changes.



### To remove HEPA cartridge filters

1. Push down latch and pull filter cassette back.
2. Then lift filter up and remove.

### To replace HEPA cartridge filters

1. Place bottom tabs of filter cassette into slots.
2. Rotate filter toward cleaner.
3. Push upward on the latch to secure into place.

**NOTE:** To have the benefit of a sealed HEPA system, you must use one of the HEPA cartridge filter systems.

## Motor Filter

Check the motor filter with each disposable dust bag change. Clean or replace as needed.

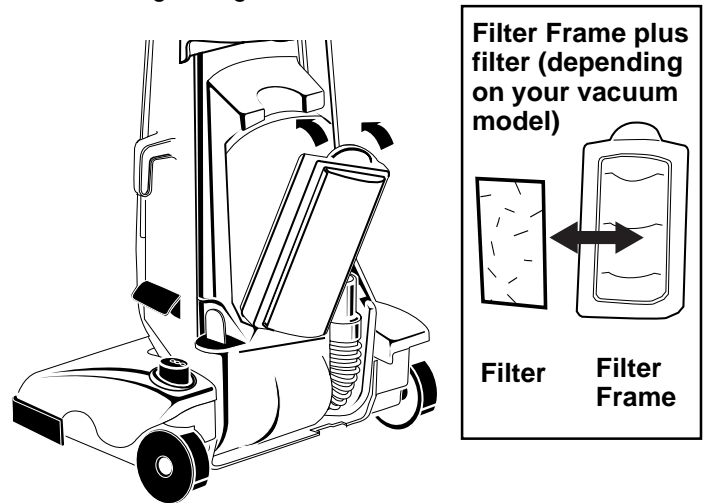
### To Clean Motor Filter

1. Remove filter from inside bag compartment, lower left side.
2. Shake filter to remove excess dust. If necessary, the filter can be cleaned by vacuuming with another cleaner.
3. Reinstall filter with stiff/printed side down. Slide under back ledge and filter retainer. Install with colored/smooth side down.

## HEPA/Micron Filters in Filter Frame

(Only for models with HEPA/Micron filter frame)

Check the HEPA/Micron filter with each disposable dust bag change. Replace twice a year or after every six bag changes.

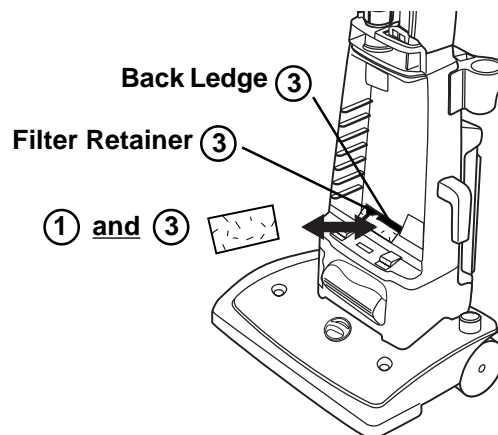


### To remove HEPA/Micron filters from filter frame.

1. Push down latch and pull filter frame back.
2. Then lift filter up and out of filter frame.

### To replace HEPA/Micron filters into filter frame.

1. Place new filter in filter frame. Place bottom tabs of filter frame into slots.
2. Rotate filter frame toward cleaner.
3. Push upward on the latch to secure into place.

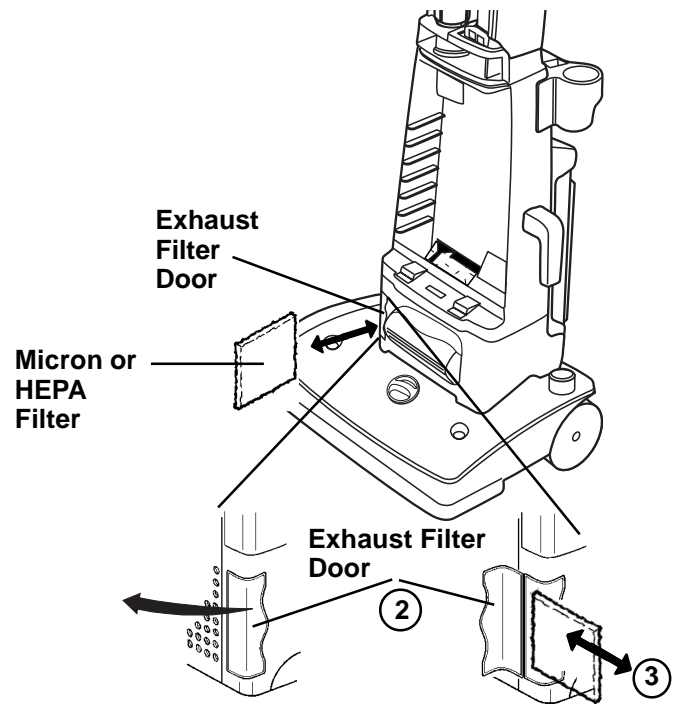


## Micron and HEPA Exhaust Filters (Only for models with the exhaust filter door)

Change micron or HEPA exhaust filter every 3 months.

### To Replace Micron or HEPA Exhaust Filter

1. Lower the handle. Open exhaust filter door; push toward the left side.
2. Grasp filter and pull out.
3. Push new filter into cleaner, smooth side facing out.
4. Close exhaust filter door; push toward right side.



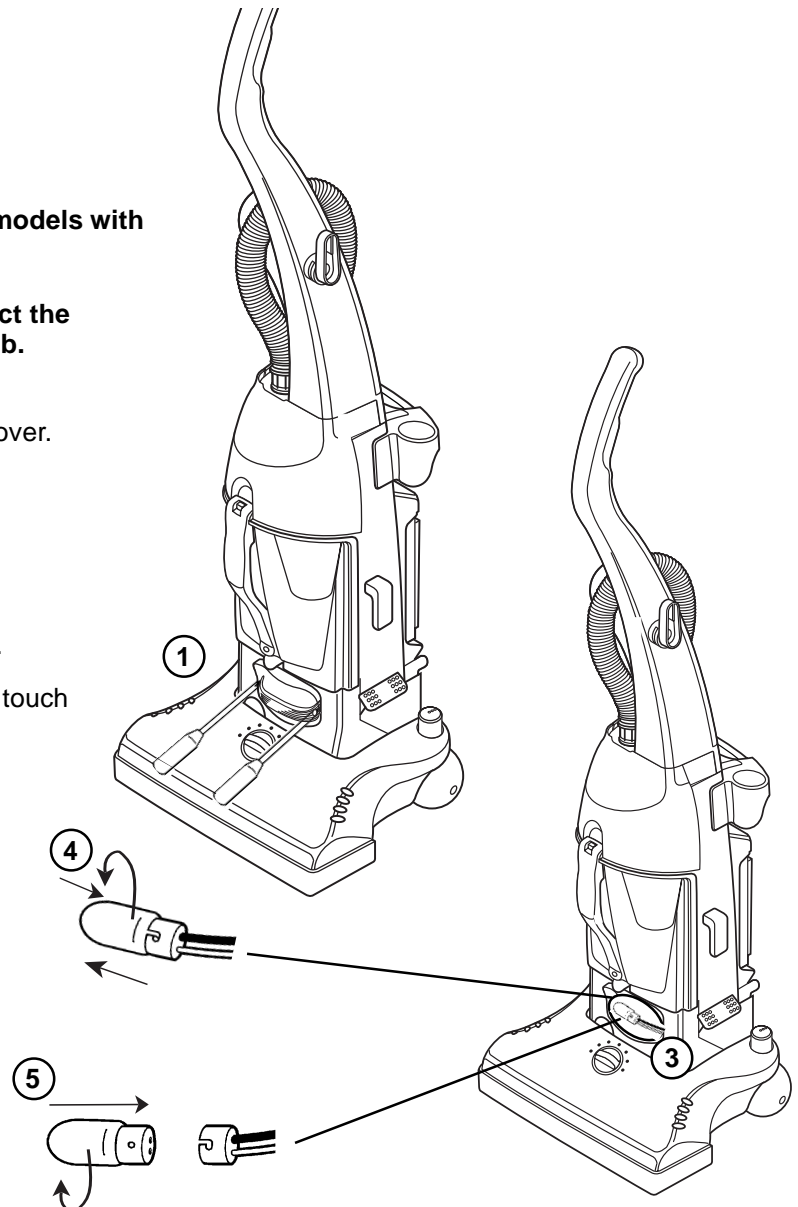
Replace all filters with genuine Eureka replacement filters.

## HOW TO MAINTAIN (continued)

### How To Change Light Bulb (Only for models with a headlight)

**NOTE:** Turn off the power switch and disconnect the electrical cord before changing light bulb.

1. Lower handle. Remove two screws from lens cover.
2. Pull lens cover from cleaner.
3. Pull light bulb and socket toward front.
4. Push light bulb into socket; turn to release.
5. Place new light bulb into socket; turn to secure.
6. Push light bulb and socket back so bulb will not touch lens cover.
7. Replace lens cover.
8. Secure with two screws.



Use 15 watt replacement light bulb, part number 48815.

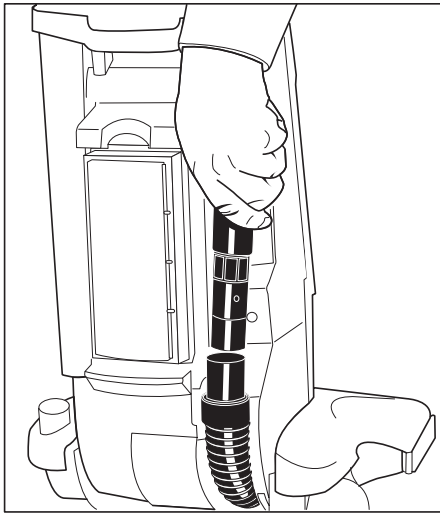


## STAIR CLEANING HOSE (Only on Certain Models)

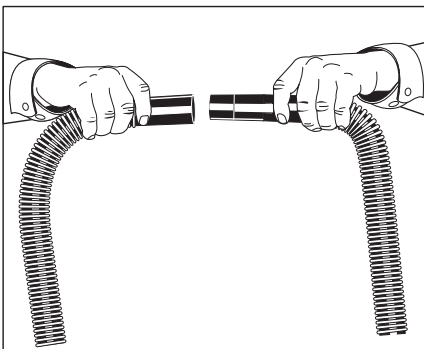
**WARNING:** Never position any cleaner on the stairs as this could damage the carpet.

Some models will come complete with an extra bonus hose which is ideal for cleaning stairs.

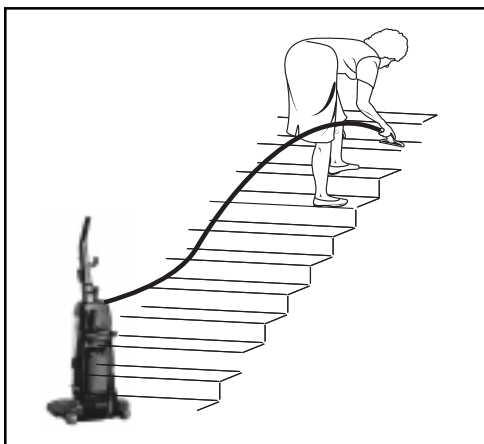
### HOW TO ASSEMBLE AND USE



**Step 1** - Remove the hose attached to the cleaner.

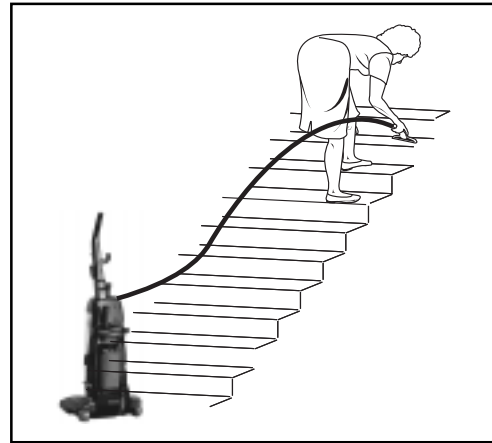



**Step 2** - Connect the hose cuff to the end of the bonus hose.

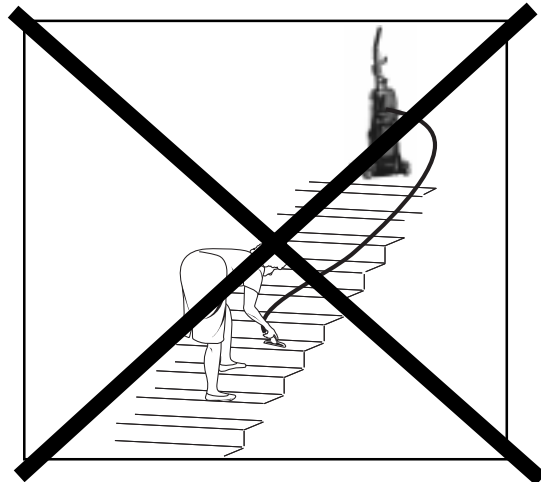


**Step 3** - You are ready to clean your stairs.

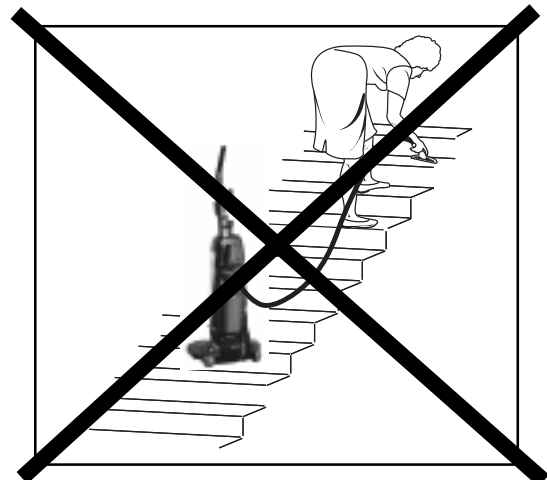
## **WARNING**



 **Always work with the cleaner below you, pulling hose from side of cleaner; *not* the back or the front of the cleaner. Ensure it is positioned sideways up against the bottom step.**



 **NEVER STAND ANY CLEANER ABOVE YOU.**



 **NEVER POSITION ANY CLEANER ON THE STAIRS AS THIS COULD DAMAGE THE CARPET.**

## PROBLEM SOLVING

**NOTE: Turn off the switch and unplug the electrical cord before servicing.**

PROBLEM	CAUSE	SOLUTION
Motor will not start.	<input checked="" type="checkbox"/> Electric Plug	<input type="checkbox"/> Push plug securely into outlet. <input type="checkbox"/> Try another outlet. <input type="checkbox"/> Check circuit breaker.
Motor suddenly stops.	<input checked="" type="checkbox"/> Thermal Cut Off	<input type="checkbox"/> Refer to page 7.
Does not clean the carpet or floor.	<input checked="" type="checkbox"/> Disposable Dust Bag and Filter(s)  <input checked="" type="checkbox"/> Belt <input checked="" type="checkbox"/> Brush Roll  <input checked="" type="checkbox"/> Hose	<input type="checkbox"/> Change the bag. <b>Hint:</b> If picking up fine dust, the bag may <u>not</u> look full, but a fine substance tends to reduce suction when it blocks the airflow through the paper bag and filter(s). Make sure the dust bag is installed properly. Make sure bag cover is installed properly. <input type="checkbox"/> Replace a cut, loose or out of shape belt. <input type="checkbox"/> Clean hair and thread from bristles and end cap area. Replace brush roll if bristles are worn. <input type="checkbox"/> Remove any clogs from the hose that restrict the airflow.
No suction at the end of the hose.	<input checked="" type="checkbox"/> Disposable Dust Bag  <input checked="" type="checkbox"/> Hose	<input type="checkbox"/> Change the bag. <b>Hint:</b> If picking up fine dust, the bag may <u>not</u> look full, but a fine substance tends to reduce suction when it blocks the airflow through the paper bag. <input type="checkbox"/> Remove any clogs from the hose that restrict the airflow. Check both ends of the hose. (See pages 13-14)
Headlight not working.	<input checked="" type="checkbox"/> Light Bulb	<input type="checkbox"/> Replace light bulb.
Noise from the brush roll area.	<input checked="" type="checkbox"/> Brush Roll <input checked="" type="checkbox"/> Belt	<input type="checkbox"/> Remove hood and clean debris from the brush roll area. <input type="checkbox"/> Replace a cut, loose or out of shape belt.
Cleaner is hard to push.	<input checked="" type="checkbox"/> Cleaner Height Setting  <input checked="" type="checkbox"/> Belt	<input type="checkbox"/> Turn adjustment knob to a higher position. Hint: Put handle in operating position. Tilt the cleaner back to raise the front wheels off floor. Then turn the knob. <input type="checkbox"/> Replace a cut, loose and out of shape belt.
Brush roll will not turn.	<input checked="" type="checkbox"/> Belt	<input type="checkbox"/> Replace cut, loose or out of shape belt.
Burning smell.	<input checked="" type="checkbox"/> Belt	<input type="checkbox"/> Replace cut, loose or out of shape belt.
Dirt Alert red light will not go off.	<input checked="" type="checkbox"/> New carpet fibers.	<input type="checkbox"/> Over time loose new carpet fibers will diminish and will not trip the dirt alert sensors.
Dirt Alert red light will not come on.	<input checked="" type="checkbox"/> Dirt sensor is not working.	<input type="checkbox"/> Call 1-800-282-2886 7 a.m. to 8 p.m. Central Standard time for the nearest authorized Eureka service center.
Cleaning height knob will not turn.	<input checked="" type="checkbox"/> Cleaner Height Setting	<input type="checkbox"/> <b>Hint:</b> Put handle in operating position. Tilt the cleaner back to raise the front wheels off floor. Then turn the knob.
Missing parts.		<input type="checkbox"/> Call 1-800-438-7352 between 8:00 a.m. and 4:45 p.m., central standard time, Monday through Friday. Know the model and serial numbers when you call.
Questions?		<input type="checkbox"/> Call 1-800-282-2886 7 a.m. to 8 p.m., Central Standard time, Monday through Saturday. Know the model and serial numbers when you call.

**S  
O  
L  
D  
T  
O**

Name			
Address (street address needed for UPS)			
City	State	Zip	
Telephone (Day)	(Eve)	(Fax)	

**S  
H  
I  
P  
T  
O**

Name			
Address (street address needed for UPS)			
City	State	Zip	
Telephone (Day)	(Eve)	(Fax)	

**IMPORTANT:**  
Be sure to include your model, type, and serial numbers. These numbers may be found on the rating plate.

Model Number: \_\_\_\_\_





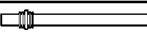




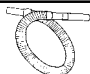
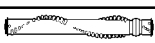
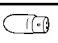
Type: \_\_\_\_\_

Serial Number: \_\_\_\_\_

**To Order**  
  
**By Phone**  
**1-800-438-7352\***  
HOURS:  
Call between 8 a.m. and 4:45 p.m., central standard time Monday through Friday.

 **By FAX**  
**1-309-823-5789**  
To Answer Problems or Questions for U.S.A. and Canada call:  
**1-800-282-2886\***  
7 a.m. to 8 p.m. central standard time Monday through Saturday.  
\*En Mexico llame al **5670-6169**

**By Mail**  
  
Simply fill out this Order Form. Please be sure to include day and evening phone numbers.  
[www.eureka.com](http://www.eureka.com)

	Part No.	Qty.	Price (USD)	Total
<b>Genuine Eureka Bags, Belts and Filters</b>				
	Filteraire Disposable Bags (style AA), package of 3	58623A	5.99	
	Disposable Bags (style AA), package of 3	58236A	3.99	
	Disposable Bags (style AA), package of 10	54926	9.99	
	Motor Filter - package of 2	61333	1.99	
	Belts (style U) - Extended Life, package of 2	61120	2.99	
	HEPA Filter	60285B	19.99	
	Micron Exhaust Filter, package of 2	60665	2.99	
<b>Accessories/Tools</b>				
	Nesteds Wands	58728B	4.39	
	Extension Wand	13104-4	2.49	
	Combination Tool Use as Dusting Tool or Upholstery Tool	61037	4.49	
	Crevice Tool	26708-119N	2.69	
	Expandable Crevice Tool	60112	22.69	
	Floor Brush	54785A	10.39	
	Micro Tool Set for Keyboards	54002	12.99	
<b>Hoses</b>				
	Deluxe Stretch Hose Assembly	60169	18.79	
	Stretch Hose Assembly - without Button Lock	54646A	8.69	
	Standard Hose Assembly	60169-1	17.39	
	Stair Hose - 15 foot	60166	29.99	
	Hose Assembly - with Button Lock	61224-1	11.29	
<b>Brush Rolls</b>				
	Wood (15 inch)	60252-2	12.59	
	Wood (12 inch)	60251-2	13.89	
	Wood (12 inch) - 4600 series	61308-1	15.89	
<b>Miscellaneous Parts</b>				
	Light bulb (15 watt)	48815	1.69	

**Method of payment (no C.O.D. orders)**

**Check or money order** (payable to **The Eureka Company**). Do not send currency.

**Charge to my**  **Visa** (13/15 digits)  **MasterCard** (13 digits)  **Amer. Express** (15 digits)

Acct. number	Expiration Date
--------------	-----------------

Signature (full name as shown on acct.) \_\_\_\_\_

<b>Total</b> (prices subject to change without notice)	
<b>Tax</b> (add state tax & local taxes as required by law)	
<b>Postage &amp; Handling Charge</b> (within U.S.A.)	<b>5.50</b>
<b>TOTAL</b>	
<b>TOTAL ENCLOSED</b>	



# THE EUREKA LIMITED WARRANTY

## What This Warranty Covers

Your Eureka cleaner is warranted to be free from all defects in material and workmanship in normal household use for a period of one year. The warranty is granted only to the original purchaser and members of his or her immediate household. The warranty is subject to the following provisions.

## What This Warranty Does Not Cover

- Parts of the cleaner that require replacement under normal use, such as disposable dust bags, filters, drive belts, light bulbs, and brush roll bristles.
- Damages or malfunctions caused by negligence, abuse, or use not in accordance with the Owner's Guide.
- Defects or damages caused by unauthorized service or the use of other than Genuine Eureka parts.

## What The Eureka Company Will Do

The Eureka Company will, at its option, repair or replace a defective cleaner or cleaner part that is covered by this warranty. As a matter of warranty policy, the Eureka Company will not refund the consumer's purchase price.

## Warranty Registration

Please fill out and return the warranty registration card accompanying your cleaner.

## Obtaining Warranty Service

To obtain warranty service you must return the defective cleaner or cleaner part along with proof of purchase to any Eureka Authorized Warranty Station. You will find the nearest location in the Yellow Pages, under "Vacuum Cleaners—Service and Repair." Be certain that the Warranty Station is "Eureka Authorized." For the location of the nearest Eureka Authorized Warranty Station or for service information, telephone toll free:

**USA: 1-800-282-2886**  
**Mexico: 5670-6169**  
**Canada: 1-800-282-2886**

If you prefer, you can write to The Eureka Company, Service Division, 807 North Main Street, Bloomington, Illinois 61701, USA. In Canada write to The Eureka Company, 866 Langs Drive, Cambridge, Ontario N3H 2N7.

If it is necessary to ship the cleaner outside your community to obtain warranty repair, you must pay the shipping charges to the Eureka Authorized Warranty Station. Return shipping charges will be paid by the Warranty Station. When returning parts for repair, please include the model, type, and serial number from the data plate on the cleaner.

## Further Limitations and Exclusions

Any warranty that may be implied in connection with your purchase or use of the cleaner, including any warranty of Merchantability or any warranty for Fitness For A Particular Purpose is limited to the duration of this warranty. Some states do not allow limitations on how long an implied warranty lasts, so the above limitations may not apply to you.

Your relief for the breach of this warranty is limited to the relief expressly provided above. In no event shall Eureka be liable for any consequential or incidental damages you may incur in connection with your purchase or use of the cleaner. Some states do not allow the exclusion or limitation of incidental or consequential damages, so the above limitation or exclusion may not apply to you.

This warranty gives you specific legal rights. You may also have other rights which vary by state.



## Questions & Answers about Genuine Eureka Products

Q: Why should I use only Genuine Eureka paper bags, belts, and parts in my Eureka vacuum cleaner?

A: **Using Genuine Eureka Products, which are made to our exacting specifications and engineered with emphasis on quality, performance, and customer satisfaction, ensures the long life and cleaning efficiency of your vacuum cleaner. Overall, this saves you money and helps to keep your home clean.**

Q: How can I be sure I am using only genuine Eureka products in my vacuum cleaner?

A: **Typically, packaged products and paper bags can be identified by a "Genuine Eureka Product" symbol (see illustration above). For further identification assistance, you may call our toll-free number, 1-800-282-2886, for the location of a nearby Eureka Authorized Warranty Station.**

Q: Are there any differences between "made to fit" or "imitation" and Genuine Eureka paper bags, belts, and parts?

A: **Yes, there are some very important differences in materials, quality, and reliability. Many customers have mistakenly purchased "imitation" paper bags and parts while thinking they purchased genuine. Unfortunately, many of these customers discovered the differences after they experienced related difficulties.**

**For Genuine Eureka Value, Accept No Imitations!**

**THE EUREKA COMPANY**

Bloomington, Illinois 61701

Household Warranty  
abs 190





# Questions?

## Do Not Return To Store

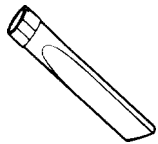
### Call

# 1-800-282-2886

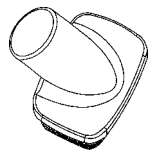
7 a.m. to 8 p.m., Central Standard Time, Monday thru Saturday

---

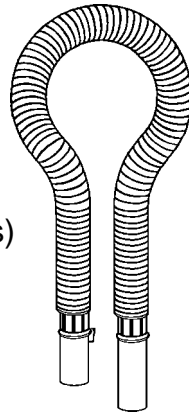
## Accessory Items in This Carton



1 crevice tool



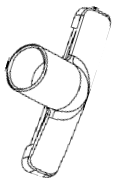
1 dusting brush  
(on some models)



1 hose assembly



1 combination tool  
(on some models)



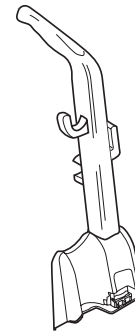
1 upholstery nozzle  
(on some models)



1 wand



1 hardware package  
(2 screws)



1 vacuum cleaner  
handle

---

## Thank you for selecting a Eureka cleaner.

### Don't Forget to Use Genuine Eureka Bags and Belts

Caution: Damages caused by the use of non-genuine Eureka bags are not covered by the Eureka Limited Warranty.



## Free Manuals Download Website

<http://myh66.com>

<http://usermanuals.us>

<http://www.somanuals.com>

<http://www.4manuals.cc>

<http://www.manual-lib.com>

<http://www.404manual.com>

<http://www.luxmanual.com>

<http://aubethermostatmanual.com>

Golf course search by state

<http://golfingnear.com>

Email search by domain

<http://emailbydomain.com>

Auto manuals search

<http://auto.somanuals.com>

TV manuals search

<http://tv.somanuals.com>