



One (1) YEAR LIMITED WARRANTY

EURO-PRO Operating LLC warrants this product to be free from defects in material and workmanship for a period of one (1) year from the date of purchase when utilized for normal household use.

If your appliance fails to operate properly while in use under normal household conditions within the warranty period, return the complete appliance and accessories, freight prepaid to **EURO-PRO** Operating LLC, 94 Main Mill Street, Door 16, Plattsburgh, NY 12901. If the appliance is found by **EURO-PRO** Operating LLC to be defective in material or workmanship, **EURO-PRO** Operating LLC will repair or replace it free of charge. Proof of purchase date and \$7.00 to cover the cost of return shipping and handling must be included. *

The liability of **EURO-PRO** Operating LLC is limited solely to the cost of the repair or replacement of the unit at our option. This warranty does not cover normal wear of parts and does not apply to any unit that has been tampered with or used for commercial purposes. This limited warranty does not cover damage caused by misuse, abuse, negligent handling or damage due to faulty packaging or mishandling in transit.

This warranty is extended to the original purchaser of the unit and excludes all other legal and/or conventional warranties. The responsibility of **EURO-PRO** Operating LLC if any, is limited to the specific obligations expressly assumed by it under the terms of the limited warranty. **In no event** is **EURO-PRO** Operating LLC liable for incidental or consequential damages of any nature whatsoever. Some states do not permit the exclusion or limitation of incidental or consequential damages, so the above may not apply to you.

This warranty gives you specific legal rights, and you may also have other rights which vary from state to state.

***Important: Carefully pack item to avoid damage in shipping. Be sure to include proof of purchase date and to attach tag to item before packing with your name, complete address and phone number with a note giving purchase information, model number and what you believe is the problem with item. We recommend you insure the package (as damage in shipping is not covered by your warranty). Mark the outside of your package "ATTENTION CUSTOMER SERVICE".**



OWNERSHIP REGISTRATION CARD

Please fill out and mail the product registration card within ten (10) days of purchase. The registration will enable us to contact you in the unlikely event of a product safety notification. By returning this card you acknowledge to have read and understood the instructions for use, and warnings set forth in the accompanying instructions.

RETURN TO:
EURO-PRO Operating LLC, 94 Main Mill Street, Door 16, Plattsburgh, NY 12901

EP63CH
Appliance model

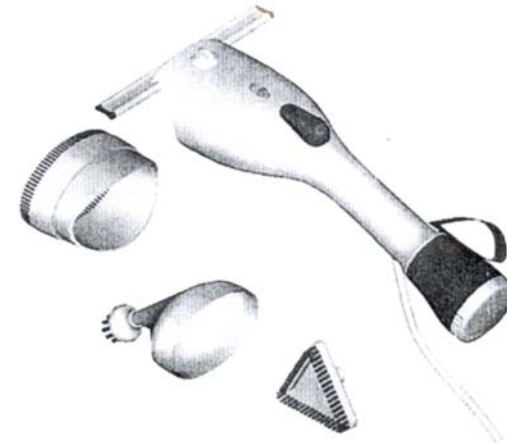
Date purchased _____ Name of store _____

Owner's name _____

Address _____ City _____ State _____ Zip code _____



Steamer Steam Cleaner Use and Care Instructions Model EP63CH



EURO-PRO Operating LLC
94 Main Mill Street, Door 16
Plattsburgh, NY 12901
Tel.: 1 (800) 798-7398

Mattresses and Pillows

Reducing the amount of dust mites in your home may reduce discomfort for some people with dust allergies. The **EURO-PRO** Steam Cleaner can reduce the amount of dust mites found on the surfaces of cushions and mattresses in your home.

1. Use steam cleaner with steam brush attachment (you can remove the brush) or use without any attachment, simply directing the steam flow to the surface being treated.

Note: To reduce the amount of dust mites, treat surface with steam for minimum 20 seconds holding the steam outlet less than 2 inches from surface. For large mattresses it may be necessary to lean them securely against a wall and begin steaming surface in same manner as steaming garments and fabrics.

2. Vacuum thoroughly after surface is completely dry.

Additional Uses

1. Attaching Small Towel

Additional cleaning and sanitizing can be done on some upholstery and hard surfaces by attaching a cut out piece of a towel to the triangle brush.

- a. Cut a square piece of towel approximately 6 inches by 6 inches.
- b. Place over triangle brush when it is attached to the steam brush attachment.
- c. Bunch up excess towel, then hold in place by sliding over a tight rubber band. If rubber band is too large, double or triple over until tight.

CAUTION: Towel must be tightly wrapped or steam can escape towards hands and cause scalding.

2. Soften glazing putty on windows.
3. Soften and remove gum and adhesives.

After Use

- Remove the water tank, empty and replace it.
- Store your **EURO-PRO** Steam Cleaner in a dry area.

EURO-PRO Customer Service
1-800-798-7398

IMPORTANT SAFETY INSTRUCTIONS

When using an electrical appliance, basic precautions should be observed, including the following: **Read all instructions carefully before using EURO-PRO Steamer Steam Cleaner**

Warning: To reduce the risk of fire, electric shock, or injury:

1. Do not direct steam at people, animals, or at electrical outlets.
2. To reduce the risk of contact with hot water, emitting from steam vents, check appliance before each use by holding it away from body and operating steam button.
3. Use appliance only for its intended use as described in this instruction book.
4. To reduce the risk of electric shock, do not immerse the appliance in water or other liquids. Store indoors. Do not expose the appliance to rain.
5. Use only extension cords UL-rated or cUL at 15 amperes. Cords rated for less amperage may overheat. Care should be taken to arrange the cord so that the cord cannot be pulled or tripped over.
6. Never yank cord to disconnect from outlet, instead grasp plug and pull to disconnect.
7. Do not allow cord to touch hot surfaces. Let appliance cool completely before putting away. Loop cord loosely around appliance when storing.
8. Always disconnect appliance from electrical outlet when filling with water or emptying, when changing attachments and when not in use.
9. Do not leave garment steamer unattended when plugged in.
10. Do not leave garment steamer connected to an electrical outlet when not in use.
11. Do not attempt to use the garment steamer without water in the tank.
12. Do not operate the appliance with damaged cord or plug.
13. Do not use garment steamer if it has been dropped, damaged, left outdoors or dropped into water.
14. Never operate this appliance if it has a damaged cord or plug, if it is not working properly, or if it has been dropped, damaged or dropped in water. Return the appliance for service or repair to **EURO-PRO** Operating LLC, 94 Main Mill Street, Door 16, Plattsburgh, NY 12901.
15. Do not handle garment steamer with wet hands.
16. Do not pull or carry by cord, use cord as a handle, close door on cord, pull cord around sharp corners or edges, or expose cord to heated surfaces.
17. Do not put any object into appliance openings, use with blocked opening, or restrict air flow.
18. Do not use appliance in an enclosed space filled with vapours given off by oil based paint, paint thinner, some moth proofing substances, flammable dust, or other explosive or toxic vapours.
19. Do not allow to be used as a toy. Keep out of the reach of children.
20. Close supervision is necessary for any appliance being used by or near children. Do not leave appliance unattended while connected.
21. Burns could occur from touching hot metal parts, hot water or steam. Use care when you turn a steam appliance upside down - there may be hot water in the reservoir.
22. Do not use on leather, wax polished furniture or floors, synthetic fabrics, velvet or other delicate, steam sensitive materials.
23. Use only manufacturer's recommended attachments - use of attachments not provided or sold by **EURO-PRO** may cause fire, electric shock or injury
24. Fill with cool water only - do not add anything except cool water or you will cause damage to the heating element. Use water only, any other liquid may be dangerous.
25. Never steam clothing while wearing them.

IMPORTANT NOTICE

This appliance has a polarized plug (one blade is wider than the other). To reduce the risk of electric shock, this plug will fit in a polarized outlet only one way. If the plug does not fit fully in the outlet, reverse the plug. If it still does not fit, contact a qualified electrician. Do not modify the plug in any way.

SAVE THESE INSTRUCTIONS
FOR HOUSEHOLD USE ONLY

CAUTION:

The force and heat of the steam may adversely affect certain materials. Always check the suitability of using the steam cleaner on a surface by carrying out a preliminary test on a hidden area.

Examples for guidance only:

- Varnished wood or glossy leather can be bleached by the effects of steam.
- Shiny plastic materials risk being tarnished.
- Acrylic, velvets and linen are very sensitive to the temperature of steam.

The manufacturer accepts no responsibility for damage caused to objects, materials, animals or persons due to the inappropriate use of steam, and through ignoring the advice and recommendations set down in the Use and Care Instruction Book.

Using the Steam Cleaner Tools (Attachments)

CAUTION: Before removing or attaching a tool, make certain that the Steam Cleaner is disconnected from power source.

- A. Large Squeegee
- B. Steam Brush Attachment with 3 Small Brushes and 1 Large Triangle Brush.
- C. Garment Steamer Attachment.
 - A. **SQUEEGEE ATTACHMENT** can be fitted with large squeegee. See Fig. 3
Loosen squeegee screw and slide in squeegee, then tighten screw until locked in place. The attachment is used for cleaning windows, mirrors, glass, bathroom tile and other large hard surfaces. Connect squeegee attachment to main unit by sliding together until locked in place. To release, press grey attachment release button on bottom of main unit.

CAUTION: Thermal shock can shatter glass surfaces. Before steam cleaning these surfaces, carefully warm the surface by directing steam on surface from a distance of no less than 4-6 inches.

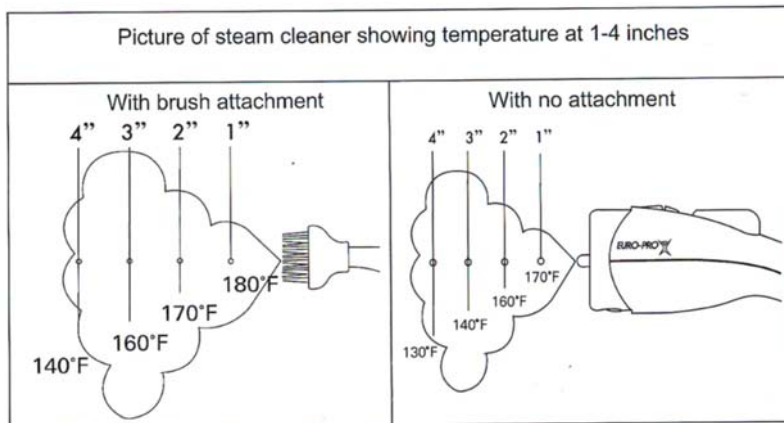
Note: When using squeegee attachment, apply steam liberally, then wipe dry with squeegee. Keep towel handy and wipe excess water accumulated on bottom of window. Take care to dry squeegee after every pass. It might also be necessary, when finished, to wipe the bottom area where liquid may have accumulated.

- B. **STEAM BRUSHES** attach to tip of Steam Brush Attachment. The three (3) small brushes are labeled A, B, C so you can choose different areas of the home to use each one. For example, Bathroom, Kitchen & Garage. Connect Steam Brush Attachment to main unit by sliding together until locked in place. To release, press grey Attachment Release Button on bottom of main unit. Steam Brush Attachment offers a concentrated flow of steam for cleaning hard to reach surfaces like crevices and also scrubbing imbedded dirt while treating a surface with steam.
- C. **GARMENT STEAMER ATTACHMENT** can be used to steam out wrinkles in clothing or curtains. Connect Garment Steamer Attachment to main unit by sliding together until locked in place. To release, press grey Attachment Release Button on bottom of main unit.

CAUTION: Only press steam push button intermittently (once every second or once every 2 seconds otherwise you may get hot water exiting from steam holes. Press steam push button and wait for steam pressure to begin reducing before pressing steam push button again. You will achieve a rhythm where continuous and powerful steam flow can be achieved.

Cleaning Hard Surfaces with the *EURO-PRO* Steam Cleaner

- High temperature steam can make it easier to remove stubborn household dirt from hard surfaces. Use your EURO-PRO Steam Cleaner to loosen and remove hardened food, mildew, soap scum, dirt and grime in all areas of your home without using any cleaning solution.
- Steam dissolves dirt on windows and mirrors. You can have your windows and mirrors sparkling clean without using any chemical glass cleaners which often leave a residue.
- High temperature “dry” steam can reduce the amount of germs, mold and mildew on hard non-porous surfaces in your home. The kitchen, bathroom and nursery are areas in your home where you might find fungus and bacteria. Regularly sanitizing hard surfaces in these areas in your home can reduce bacteria and odors. Use the *EURO-PRO* Steam Cleaner regularly to sanitize toilet bowls, changing tables, counter tops, sinks, diaper pails and other hard non-porous surfaces.



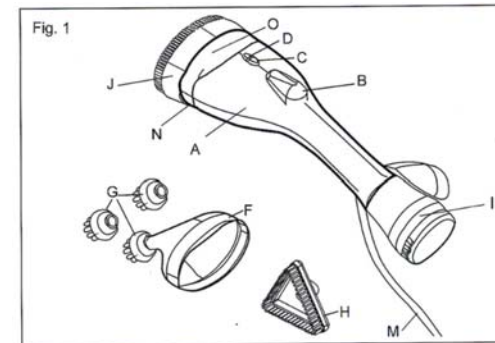
Sanitizing with the *EURO-PRO* Steam Cleaner

To reduce dust mites and to sanitize, treat surfaces with steam for 20 seconds, holding the steam outlet less than 2 inches away from the surface.

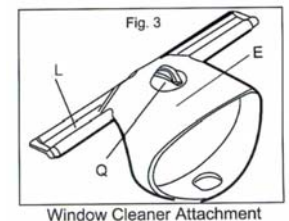
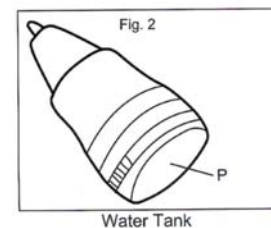
WARNING: High temperature steam from the *EURO-PRO* Steam Cleaner can reduce bacteria and dust mites in your home, however, the steam may not reach and/or kill all bacteria and dust mites on a specific surface being treated. Therefore, some bacteria can remain after surface has been treated with hot steam.

WARNING: To reduce risk of injury from steam, never point Garment Steamer at people, animals or electrical outlet.

WARNING: Never add anything except cool water to tank. Use water only, any other liquid may be dangerous.



- A. Base of Main Unit
- B. Steam Push Button
- C. Power Light
- D. Indicator Light
- E. Window Cleaning Attachment
- F. Steam Brush Attachment
- G. Small Steam Brush
- H. Large Triangle Steam Brush
- I. Removable Water Tank
- J. Garment Steamer Attachment
- L. Large Squeegee
- M. 20 Foot Power Cord
- N. Attachment Release Button
- O. Crevice Between Main Unit & Steam Brush Attachment
- P. Water Tank Base
- Q. Squeegee Screw



Note: You may have some water exit on first burst. This is normal, just keep pushing the steam button intermittently and you will obtain a continuous flow of steam.

Operating Your *EURO-PRO* Steam Cleaner

Your *EURO-PRO* Steamer Steam Cleaner is a very versatile tool. Used correctly it will help make many household cleaning tasks faster and easier. Be sure to carefully read all the information contained in this booklet before using this appliance.

WARNING: With steam brush attachment assembled on unit - **Do not press Steam Push Button more than once per second.** Pressing steam push button quickly may cause hot water to accumulate between attachment and main unit which could then leak through crevice and **burn user's hand.**

CAUTION: Press steam push button intermittently no more than once every 1 or 2 seconds. Rapid pressing in succession will cause water leaking. Wait for steam pressure to reduce before pressing steam push button again. By pressing intermittently you will note a rhythm for maintaining a continuous flow of steam without any water dripping or leaking.

CAUTION: First usage may require 6-10 rapid pushes on steam push button before steam exits. Keep pressing for a few seconds until steam has developed from first rapid depressing of steam push button, then you can continue intermittent pressing of steam push button.

Note: You may have some water exit on first burst. This is normal, just keep pushing the steam button intermittently and you will obtain a continuous flow of steam.

Filling the Water Tank

WARNING: Always disconnect (unplug) the Garment Steamer from power source before filling with water.

The Water Tank is the blue translucent tank at the end of the Garment Steamer. See Fig. 2.

1. Remove the Tank by unscrewing it from the base unit by turning in a counter clockwise motion.
2. Remove the Water Tank base by turning in a counter clockwise motion.
3. With cool water*, fill Water Tank completely and then replace water tank base by turning in a clockwise motion until snug.
4. To reattach water tank to main unit, line up water tank fittings with fittings receptacles on main unit. Push water tank in, then turn in a clockwise motion.

***Note:** We suggest mixing distilled water or demineralized water with tap water - 1part tap water to 3 parts distilled or demineralized water. Doing so will lengthen the life of the Steamer.

CAUTION: Never add anything except cool water or you will cause damage to the heating element. Use water only, any other liquid may be dangerous.

Power Cord

Before usage, remember to completely untangle or unwrap the full length of the power cord.

Power Light/Indicator Light

The red light will illuminate when power is on - (unit is plugged into socket), green light will go on and off during usage. Maximum temperature is achieved when green light is illuminated. Before pushing steam push button the first time per usage, wait until green light is illuminated. Following first usage, green light will go on and off. If too much water is exiting steam holes, you are pressing steam push button too rapidly. Stop pushing steam push button and wait for green light. Do not press steam push button more than once per second or once per 2 seconds.

Note: You may have some water exit on first burst. This is normal, just keep pushing the steam button intermittently and you will obtain a continuous flow of steam.

Steam Push Button

The steam push button is pumping water to the heating element. Continuous steam can be attained if steam push button is depressed intermittently once every one or two seconds. You will notice a rhythm can be maintained while pressing steam push button which will maximize steam performance. Press steam push button and wait until you see steam pressure reduced then press steam push button again (approximately once every one or two seconds).

Important Note: After refilling or before each usage, it may take 6-10 presses on the steam push button before steam will begin to exit. Press steam push button repeatedly until first steam exists, then patiently press steam push button not more than once every one or two seconds and **eventually a momentum of steam will develop.** If you press too many times before steam exits, hot water may accumulate and burn user's hand if steam brush attachment is assembled on main unit.

Free Manuals Download Website

<http://myh66.com>

<http://usermanuals.us>

<http://www.somanuals.com>

<http://www.4manuals.cc>

<http://www.manual-lib.com>

<http://www.404manual.com>

<http://www.luxmanual.com>

<http://aubethermostatmanual.com>

Golf course search by state

<http://golfingnear.com>

Email search by domain

<http://emailbydomain.com>

Auto manuals search

<http://auto.somanuals.com>

TV manuals search

<http://tv.somanuals.com>