

EURO-PRO 
select

STEAM MOP

OWNER'S MANUAL
Model S3305H
120V., 60Hz., 800 Watts



For information or assistance:
EURO-PRO Operating LLC
94 Main Mill Street, Door 16
Plattsburgh, NY 12901
Tel.: 1 (800) 798-7398

EURO-PRO 



1 YEAR LIMITED WARRANTY

Your Steam Mop is warranted to be free from defects in material and workmanship for a period of one (1) year from the date of purchase when utilized for normal household use by the original purchaser only. The included Warranty Registration Card must be filled out and returned within 10 days of purchase. This is essential for your Warranty to be effective should any problem arise with this product.

Should any defect covered by the terms of the limited warranty be discovered within one year, **EURO-PRO Operating LLC** will repair or replace any defective part provided the unit is returned by the original purchaser, freight prepaid, to:

EURO-PRO Operating LLC, 94 Main Mill Street, Door 16, Plattsburgh, N.Y., 12901

Proof of purchase date and \$12.95 for handling and return packing/shipping charges must be included.*

The liability of under this warranty is limited solely to the cost of the replacement parts or the complete unit at our option. **LABOUR CHARGES ARE NOT INCLUDED.**

This warranty does not cover normal wear of parts and does not apply to any unit that has been tampered with or used for commercial purposes. This Limited Warranty does not cover damage caused by misuse, negligent handling, or damage due to faulty packaging or mishandling in transit (by any common carrier).

This warranty is extended to the original purchaser of the unit and excludes all other legal and/or conventional warranties. The responsibility of **EURO-PRO Operating LLC**, if any, is limited to the specific obligations expressly assumed by it under the terms of the limited warranty. In no event is **EURO-PRO Operating LLC** liable for incidental or consequential damages of any nature whatsoever. Some States/Provinces do not permit the exclusion or limitation of incidental or consequential damages, so the above may not apply to you.

This warranty gives you specific legal rights which vary from state to state or province to province.

*Important: Carefully pack item to avoid damage in shipping. Be sure to attach tag to item before packing with your name, complete address and phone number with note giving purchase information, model number and what you believe is the problem with item. We recommend you insure the package (as damage in shipping is not covered by your warranty). Mark the outside of your package "ATTENTION CUSTOMER SERVICE". **We are constantly striving to improve our products, therefore the specifications contained herein are subject to change without notice.**



OWNERSHIP REGISTRATION CARD

Please fill out and mail the product registration card within ten (10) days of purchase. The registration will enable us to contact you in the unlikely event of a product safety notification. By returning this card you acknowledge to have read and understood the instructions for use, and warnings set forth in the accompanying instructions.

EURO-PRO Operating LLC, 94 Main Mill Street, Door 16, Plattsburgh, N.Y. 12901

Model S3305H

Appliance model _____

Date purchased _____ Name of store _____

Owner's name _____

Address _____ City _____ State _____ Zip Code _____

IMPORTANT SAFETY INSTRUCTIONS

When using your **Steam Mop**, basic safety precautions should always be observed, including the following:

1. Read all instructions before using your steam mop.
2. Use the system only for its intended use.
3. Do not use outdoors.
4. Do not leave the Steam Mop unattended when plugged in. Turn the unit off and unplug the electrical cord from the outlet when not in use and before servicing.
5. Do not allow to be used as a toy. Close attention is necessary when used by or near children, pets or plants. Do not leave appliance unattended while connected.
6. Use only as described in this manual.
7. Use only manufacturer's recommended accessories.
8. Do not operate the appliance with a damaged plug or cord, or if the unit has been dropped or damaged. To avoid the risk of electric shock, do not disassemble or attempt to repair the appliance on your own. Return the Steam Mop to **EURO-PRO Operating LLC** (see warranty) for examination and repair. Incorrect re-assembly or repair can cause a risk of electrical shock or injury to persons when the Steam Mop is used.
9. To protect against a risk of electric shock, do not immerse the Steam Mop into water or any other liquids.
10. Do not pull or carry by power cord, use cord as handle, close a door on cord, or pull cord around sharp edges or corners. Keep cord away from heated surfaces.
11. do not unplug by pulling on power cord. To unplug, grasp the plug not the cord. Do not use extension cords or outlets with inadequate current carrying capacity.
12. Turn the unit off before unplugging from electrical outlet.
13. Do not handle plug or Steam Mop with wet hands or operate appliance without shoes.
14. Do not put any objects into openings. Do not use with any opening blocked.
15. Do not put hands or feet under the Steam Mop. Unit gets very hot.
16. Use **ONLY** on Flat, horizontal surfaces. Do not use on walls, counters or windows.
17. Do not add cleaning solutions, scented perfumes, oils or any other chemicals to the water used in this appliance as this may damage the unit or make it unsafe for use. Use regular tap water or distilled/purified water if the tap water in your area is very hard.
18. When in use, never turn the appliance over or on its side. **NEVER DIRECT STEAM TOWARDS PEOPLE, ANIMALS OR PLANTS.**
19. Do not handle the micro-fiber cleaning cloth immediately after turning the unit off. Place the appliance on the floor pad to cool down before removing.
20. **NEVER LEAVE THE APPLIANCE IN ONE SPOT ON ANY SURFACE FOR ANY PERIOD OF TIME. ALWAYS PLACE ON THE FLOOR PAD AND MAKE SURE THAT THE APPLIANCE IS TURNED OFF.**
21. When cleaning the Steam Mop, turn the appliance off and clean with a dry or damp cloth. Do not pour water or use alcohol, benzene or thinner.
22. Extreme caution should be exercised when using this appliance to clean stairs.
23. Never use Steam Mop without micro-fiber cleaning cloth or bonnet (optional) attached.
24. Keep your work area well lit.
25. Store Steam Mop indoors in a cool, dry place.

SAVE THESE INSTRUCTIONS For Household Use Only

ADDITIONAL IMPORTANT SAFEGUARDS

1. To avoid circuit overload, **do not** operate another appliance on the same electrical outlet (circuit)
2. If an extension cord is absolutely necessary, a 15 ampere 14 gage cord should be used. Cords rated for less amperage may overheat. Care should be taken to arrange cord so that it cannot be pulled or tripped over.
3. **Do not** leave unattended when the system is connected to a power supply/electrical outlet.

SAVE THESE INSTRUCTIONS FOR HOUSEHOLD USE ONLY

WARNING: This appliance is equipped with a grounded-type 3-wire cord (3-prong plug). This plug will only fit into an electrical outlet made for a 3-prong plug. This is a safety feature. If the plug should fail to fit the outlet, contact an electrician to replace the outlet. Do not attempt to defeat the safety purpose of the grounding pin, part of the 3-prong plug.

TROUBLE SHOOTING

PROBLEM	POSSIBLE CAUSE	POSSIBLE SOLUTION
STEAM MOP WILL NOT OPERATE	<ol style="list-style-type: none"> 1. Power cord not firmly plugged into outlet. 2. No power in wall outlet. 3. Needs servicing. 	<ol style="list-style-type: none"> 1. Plug unit in firmly. 2. Check fuse or breaker. Replace fuse/reset breaker. 3. Call 1-800-798-7398.
STEAM MOP WILL NOT MAKE STEAM	<ol style="list-style-type: none"> 1. No water in water tank. 	<ol style="list-style-type: none"> 1. Add water to the water tank following instructions on page 5.
STEAM MOP LEAVES WATER ON THE FLOOR	<ol style="list-style-type: none"> 1. Micro-fiber cleaning cloth is too wet. 2. Unit is not level on the floor. 	<ol style="list-style-type: none"> 1. Turn off unit, unplug from power outlet and change the micro-fiber cleaning cloth or bonnet (optional). 2. Always keep the steam mop level and parallel to the floor.
STEAM MOP LEFT WHITE SPOT ON FLOOR	<ol style="list-style-type: none"> 1. Steam mop left in one spot too long. 2. Steam mop not rested on floor protector pad. 3. Hard water. 	<ol style="list-style-type: none"> 1. Always place the steam mop on the floor protector pad when not in use. To remove, use a damp, dry cloth with a few drops of white vinegar and rub the stain to remove. 2. Always place the steam mop on the floor protector pad when not in use. 3. Use distilled water.

FOR TECHNICAL SUPPORT for Model S3305H

Call.: 800-798-7398

Monday to Friday 8:30 A.M. - 5:00 P.M. Eastern Standard Time

Care & Maintenance

IMPORTANT: Always insure that the unit is "UNPLUGGED" from the wall receptacle prior cleaning or before emptying the water tank.

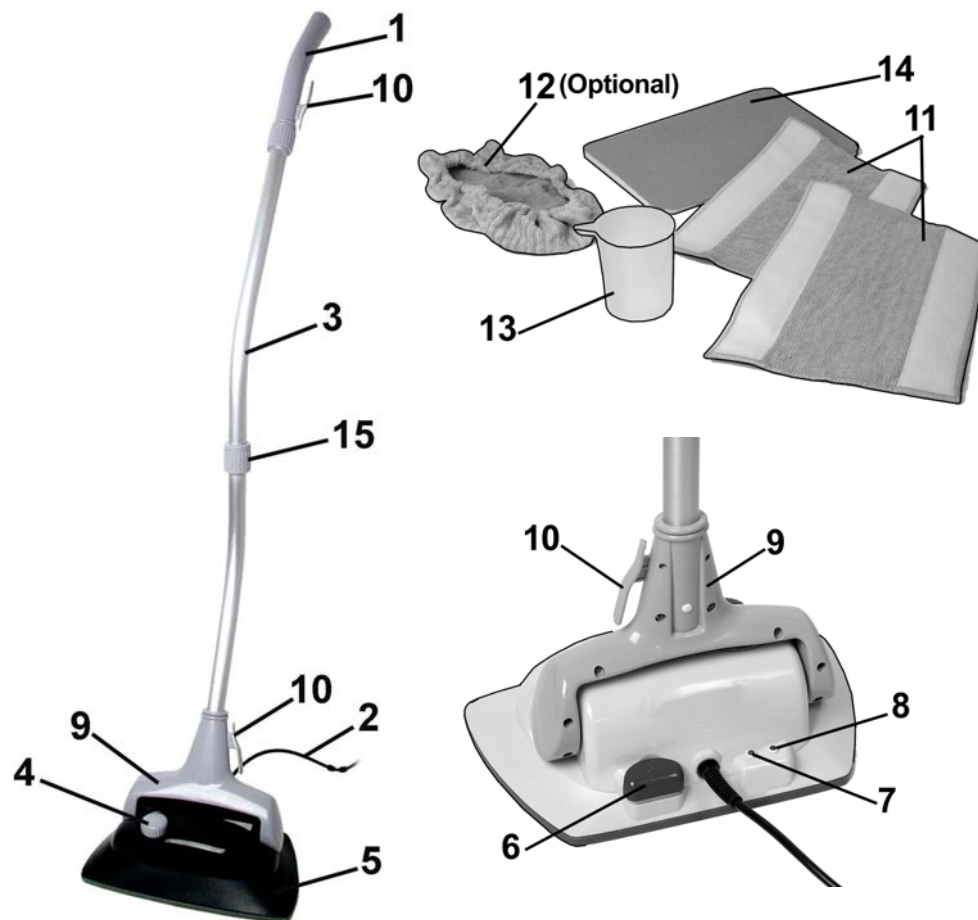
1. Turn the unit off and unplug from electrical outlet.
2. Wrap power cord around cord holders.
3. Let the unit cool for five (5) minutes before removing the micro-fiber cleaning cloth or bonnet (optional) and before emptying the water tank.
4. Always empty the water tank when you have finished using the unit.
5. Never leave the micro-fiber cleaning cloth or bonnet (optional) on the unit when you have finished using the steam mop. Always remove the micro-fiber cleaning cloth or bonnet (optional) and wash in warm water with a mild detergent. Never use bleach or fabric softener when cleaning the micro-fiber cleaning cloth. The micro-fiber cleaning cloth or bonnet (optional) can be washed in a washing machine and dried in a clothes dryer but on low heat. We recommend that you air dry for 24 hours but it could also be dried in a clothes dryer on a low heat setting.
6. Wipe the unit with a damp cloth to clean. Never immerse main unit in water or any other liquid.
7. In order to keep your steam mop in good condition, we recommend that you clean the water tank once a month to eliminate calcium deposits. Add three ounces (3 oz) of water to the water tank and shake to loosen any deposits. Remove the filling cap and immediately empty water into a sink. **Do not use vinegar or other decalcifying substances in the steam mop water tank.**

Caution: Do not immerse the unit in water or any other liquids.

Helpful Hints

1. Always vacuum or sweep before steam cleaning.
2. The easiest way to use the machine is to tilt the ergonomic handle to a 45° angle and clean slowly 2-3 yards at a time.
3. Hand wash or machine wash the micro-fiber cleaning cloths or bonnet (optional) for 24 hours, but they could be dried in a dryer on a low heat setting.
4. We recommend air drying the micro-fiber cleaning cloths or bonnet (optional) for 24 hours, but they could be dried in a dryer on a low heat setting.
5. A good amount of steam passes through the micro-fiber cleaning cloth. We recommend that the cleaning cloth be changed when it gets too wet. These need to be replaced as necessary.
6. To remove stubborn stains from vinyl or linoleum floors, pre-treat with a mild detergent and some water before using the steam mop.

IMPORTANT: Never leave the steam mop in one spot for any period of time. Always place the appliance on the floor protector pad and make sure that the appliance is turned off.



- | | |
|-----------------------------|-------------------------------------|
| 1. Hand Grip | 9. Tube Pivot |
| 2. Power Cord | 10. Cord Holder |
| 3. 2-Piece Ergonomic Handle | 11. Micro-Fiber Cleaning Cloth (x2) |
| 4. Filling Cap | 12. Floor Bonnet (Optional) |
| 5. Main Unit | 13. Filling Flask |
| 6. On/Off Button | 14. Floor Protector Pad |
| 7. Power "On" Light (Green) | 15. Handle Joint |
| 8. Empty Light (Red) | |

Technical Specifications

Voltage:	120V., 60Hz.
Power:	800 Watts
Water Capacity:	8 U.S. Fl. Oz.(250ml)

Note: Illustrations may differ from actual unit.

FEATURES

Your **Steam Mop** utilizes steam to remove tough grease, dirt and grime. Steam is nature's purest and most powerful cleaner for safely cleaning all hard floor surfaces in your home without harsh chemicals, thus being perfectly ecological. Cleans your tile, hardwood, linoleum and vinyl floors.

WARNING: Your Steam Mop is designed to clean hard floor surfaces that will withstand high heat. Do not use on unsealed wood or unglazed ceramic floors. On surfaces that have been treated with wax or some no wax floors, the sheen may be removed by the heat and steam action. It is always recommended to test an isolated area of the surface to be cleaned before proceeding. We also recommend that you check the use and care instructions from the floor manufacturer.

IMPORTANT: **Never** leave the appliance in one spot on any surface for any period of time. Always place the appliance on the floor protector pad and make sure that the appliance is turned off.

CAUTION: Use a grounded receptacle. Use only a heavy duty extension cord rated for 15 amps minimum - Do not use an ordinary extension cord.

IMPORTANT: Do **NOT** add cleaning solutions, scented perfumes, oils or any other chemicals to the water used in this appliance. **Use regular water or distilled/purified water if the tap water in your area is very hard.**

OPERATING INSTRUCTIONS

How To Assemble & Use

IMPORTANT: Always insure that the unit is "UNPLUGGED" from the wall receptacle prior to initial filling and before attaching the micro-fiber cleaning cloth to the base of the appliance. **Never** use the steam mop without the micro-fiber cleaning cloth or bonnet (optional) attached to the base.

Always let unit cool for at least 5 minutes before removing the micro-fiber cleaning cloth or before emptying the water tank.

1. Remove all the parts from the packaging.
2. Insert the ergonomic handle into the tube pivot of the main unit.
3. Place one of the micro fiber cleaning cloths or bonnet (optional) on the bottom of the steam mop. Make sure that the micro-fiber cleaning cloth or bonnet (optional) is firmly attached to the bottom of the steam mop. (Fig. 1)
4. Place the steam mop on the floor protector pad and open the filling cap.
5. With the help of the filling flask, pour 1 cup of water (8 oz.) into the unit. do not overfill.. Replace filling cap when finished. (Fig. 2)
6. Plug the unit into a standard 120 volt grounded wall receptacle.
7. Press the On/Off button to turn the unit on. The power 'On' light will light up. It takes the unit approximately two - three (2-3) minutes to heat up.
8. When there is no more water in the water tank, the empty light (red) will go on.
9. To refill the water tank, turn the unit off and unplug from the electrical wall outlet and let the unit cool for 30 seconds. Then remove the filling cap and pour in the water. You do not have to wait for the unit to cool down before you refill.
10. When you have finished using the steam mop, turn the unit "Off" and wait until the steam mop cools down for approximately five (5) minutes before removing the micro-fiber cleaning cloth or bonnet (optional) from the base. Please note that the micro-fiber cleaning cloth or bonnet (optional) gets very hot with the steam.
11. Never leave the micro-fiber cleaning cloth or bonnet (optional) on the unit when you have finished using the steam mop. Always remove the micro-fiber cleaning cloth or bonnet (optional) and wash in warm water with a mild detergent. Never use bleach or fabric softener when cleaning the micro-fiber cleaning cloths or bonnet (optional). The micro-fiber cleaning cloth or bonnet (optional) can be washed in a washing machine and dried in a clothes dryer but on a low heat setting. We recommend that you air dry for 24 hours.



Fig. 1



Fig. 2

WARNING: Colors may bleed during first wash. Be careful when machine washing or drying with mixed fabrics as micro-fiber cloths will pick up lint from other fabrics.

Using The Micro-Fiber Bonnet (Optional)

If you wish to use the micro-fiber bonnet (optional), follow same instructions as above, except that you slip the bonnet (optional) over the main unit.

Free Manuals Download Website

<http://myh66.com>

<http://usermanuals.us>

<http://www.somanuals.com>

<http://www.4manuals.cc>

<http://www.manual-lib.com>

<http://www.404manual.com>

<http://www.luxmanual.com>

<http://aubethermostatmanual.com>

Golf course search by state

<http://golfingnear.com>

Email search by domain

<http://emailbydomain.com>

Auto manuals search

<http://auto.somanuals.com>

TV manuals search

<http://tv.somanuals.com>