

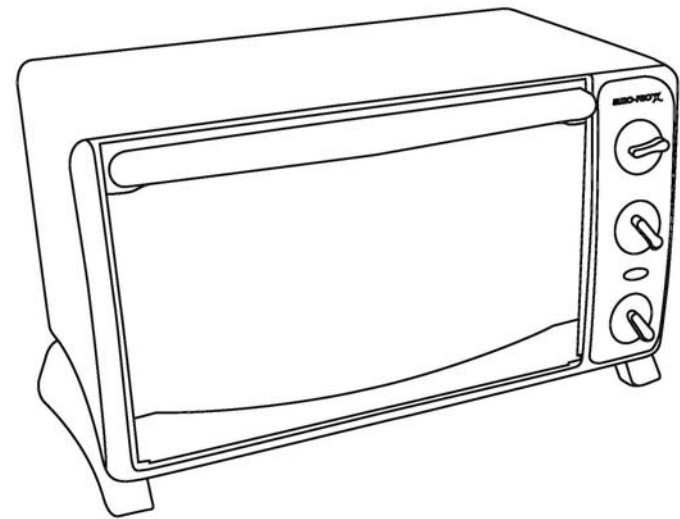
EURO-PRO X

6 SLICE STAINLESS STEEL CONVECTION TOASTER OVEN

HORNO TOSTADOR DE CONVECCIÓN DE ACERO INOXIDABLE PARA 6 REBANADAS

OWNER'S MANUAL MANUAL DEL PROPIETARIO

Model / Modelo TO289N2
120V., 60Hz., 1200 Watts



EURO-PRO OPERATING LLC
Boston, MA, 02465
Tel.: 1 (800) 798-7398
www.euro-pro.com

IMPORTANT SAFETY INSTRUCTIONS

When using your **Convection Toaster Oven**, basic safety precautions should always be observed, including the following:

1. Read all instructions before using your **Convection Toaster Oven**.
2. **Do not** touch hot surfaces. Always use handles or knobs.
3. Close supervision is necessary when any appliance is used by or near children.
4. To protect against electric shock, **do not** immerse cord, plug or any parts of the oven in water or any other liquids.
5. **Do not** let cord hang over edge of table or counter, or touch hot surfaces.
6. **Do not** operate appliance with damaged cord or plug or after the appliance malfunctions or has been damaged in any manner. Return appliance to the nearest **EURO PRO Operating LLC** for examination, repair or adjustment.
7. The use of accessory attachments **not** recommended by the appliance manufacturer may cause hazard or injury.
8. **Do not** place on or near a hot gas or electric burner.
9. When operating the oven, keep at least four inches of free space on all sides of the oven to allow for adequate air circulation.
10. Unplug from outlet when not in use and before cleaning. Allow to cool before putting on or taking off parts, and before cleaning.
11. To disconnect, turn the time control button to OFF, then remove the plug. Always hold the plug, and never pull the cord.
12. Extreme caution must be used when moving a drip pan containing hot oil or other hot liquids.
13. **Do not** cover crumb tray or any part of the oven with metal foil. This may cause the oven to overheat.
14. Use extreme caution when removing the tray, racks or disposing of hot grease or other hot liquids.
15. **Do not** clean the inside of the oven with metal scouring pads. Pieces can break off the pad and touch electrical parts, creating a risk of electric shock.
16. Oversized foods or metal utensils **must not** be inserted in a toaster oven as they may create a fire or risk of electric shock.
17. A fire may occur if the oven is covered or touching flammable material, including curtains, draperies, walls and the like when in operation. **Do not** place any items on the oven during operation.
18. Extreme caution should be exercised when using cooking or baking containers constructed of anything other than metal or ovenproof glass.
19. Be sure that nothing touches the top or bottom elements of the oven.
20. **Do not** place any of the following materials in the oven: cardboard, plastic, paper, or anything similar.
21. **Do not** store any materials other than manufacturer's recommended accessories in this oven when not in use.
22. This appliance is OFF when the Timer Control button is in the "OFF" position.
23. Always wear protective, insulated oven gloves when inserting or removing items from the hot oven.
24. This appliance has a tempered, safety glass door. The glass is stronger than ordinary glass and more resistant to breakage. Tempered glass can still break around the edges. Avoid scratching door surface or nicking edges.
25. **Do not** use outdoors.
26. **Do not** use appliance for other than intended use.

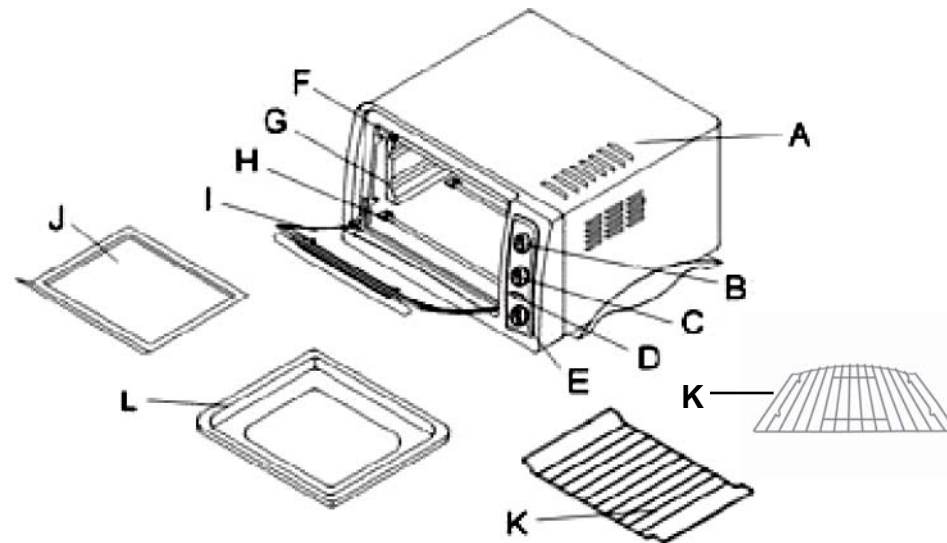
This unit has a short power supply cord to reduce the risk resulting from becoming entangled in or tripping over a long cord. An extension cord may be used if you are careful in its use:

1. The electrical rating of the extension cord should be at least as great as the electrical rating of the appliance.
2. An extension cord with the power cord must be arranged so that it **will not** drape over the countertop or tabletop where they can not be pulled on by children or tripped over accidentally.

SAVE THESE INSTRUCTIONS For Household Use Only

WARNING: To reduce the risk of electric shock, this appliance has a polarized plug (one blade is wider than the other). This plug will fit in a polarized outlet only one way. If the plug does not fit fully in the outlet, reverse the plug. If it still does not fit, contact a qualified electrician to install the proper outlet. **Do not modify the plug in any way.**

GETTING TO KNOW YOUR CONVECTION TOASTER OVEN

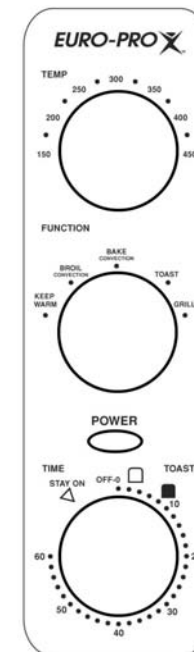


- A. Housing
- B. Temperature Control
- C. Function Control
- D. Power ON Light
- E. Timer
- F. Upper Heating Element
- G. Rack Support Guides
- H. Lower Heating Element
- I. Glass Door
- J. Crumb Tray
- K. Wire Rack (x2)
- L. Broiler Pan

Technical Specifications

Voltage: 120V., 60Hz.
Power: 1200 Watts

* Note: Illustrations may differ from actual product



CONTROL PANEL

Read all the sections of this booklet and follow all the instructions carefully.

Before Using Your Convection Toaster Oven

1. Read all of the instructions included in this manual.
2. Make sure that the oven is unplugged and the Time Control is in the "OFF" position.
3. Wash all the accessories in hot, soapy water or in the dishwasher.
4. Thoroughly dry all accessories and re-assemble in oven. Plug oven into outlet and you are ready to use your new Toaster Oven with Convection.
5. After re-assembling your oven, we recommend that you run it at the highest temperature (**450° F**) on the Toast Function for approximately 15minutes to eliminate any packing residue that may remain after shipping. This will also remove all traces of odor initially present.

Please Note: Initial start-up operation may result in minimal smell and smoke (about **15 minutes**). This is normal and harmless. It is due to burning of the protective substance applied to the heating elements in the factory.

Using Your Convection Toaster Oven

Please familiarize yourself with the following oven functions and accessories prior to first use:

Temperature Control

Choose the desired temperature from **150°F (Keep Warm)** to **450°F** for baking, broiling, toasting or grilling.

Function Control

This oven is equipped with five positions for a variety of cooking needs:

Bake w/Convection - Cakes, pies, cookies, poultry, beef, pork, etc.

Toast w/ Convection - Bread, muffins, frozen waffles, etc.

Grill - For grilling fish, steak, sandwiches, bacon & eggs, etc.

Broil w/ Convection - For broiling fish, steak, poultry, pork chops, etc.

Keep Warm - To keep cooked food warm for up to **30 minutes**.

Time Control

When you turn the control to the left, (counter-clockwise), the oven will "**STAY ON**" until it is manually shut "**OFF**". To activate the timer segment of the control, turn to the right (clockwise) to toast or use as a timer. This function also has a bell that rings at the end of the programmed time.

Convection Fan

The convection fan works automatically on Broil, Bake and Toast settings.

- **Power "On" Light** - It is illuminated whenever the oven is turned on.
- **Broiler Pan** - For use in broiling and roasting meat, poultry, fish and various other foods

Convection Cooking

Convection cooking combines hot air movement by means of a fan with the regular features (broil, bake and toast). Convection cooking provides faster cooking in many cases than regular radiant types toaster ovens. The fan gently sends air to every area of the food, quickly browning, crisping and sealing in moisture and flavor. It produces more even temperature all around the food by air movement, so that food cooks/bakes/broils evenly versus the normal ovens hot and cold spots. The convection feature allows cooking/baking at lower temperatures, which saves energy and helps keep the kitchen cooler. Convection air is superheated and it circulates around the food so it cooks food significantly faster than conventional ovens.

Warning: To avoid risk of injury or burns, do not touch hot surfaces when oven is in use. Always use oven mitts.

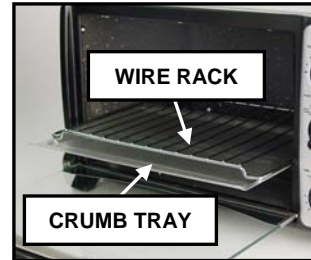
Caution: Always use extreme care when removing broiler pan, wire rack or any hot container from a hot oven. Always use an oven mitt when removing hot items from the oven.

Broiling with Convection

The top heating elements cycle on and off to maintain maximum temperature in the oven. For best results, the oven should be preheated for **20 minutes at 450° F** before adding the food to be broiled. In the convection oven, it is not necessary to turn the food because the fan circulates the hot air around the food. The food must be placed on the wire rack with the crumb tray beneath it (see illustration) to allow the circulation of air.

Operation

- Set Temperature Control to **450°F**.
- Turn Function Control to **Broil/Convection**.
- Preheat the oven.
- Place the Wire Rack on the Crumb Tray.
- Place the food on the Wire Rack and slide into the Top Rack Support Guide or Middle Rack Support Guide depending on the thickness of the food that you are cooking.
- Food should be placed as close as possible to the Top Heating Element without touching it.
- Set temperature control to the appropriate temperature.
- Brush food with sauces or oil, as desired.
- Turn Time Control to position “**Stay On**”.
- It is advisable to leave the door **slightly ajar**.
- When broiling is complete, turn the Time Control to “**OFF**”.



Broiling Guide

Cooking results may vary depending on thickness of food being broiled, adjust these times to your individual requirements. Also, remember to turn the meat/fish over half-way through the cooking time and to check often during broiling to avoid overcooking.

MEAT	OVEN TEMP	COOKING TIME
RIB STEAK	400	20-25 min.
T-BONE STEAK	400	20-25 min.
HAMBURGER	400	15-25 min.
PORK CHOPS	400	25-35 min.
LAMB CHOPS	400	30-40 min.
CHICKEN LEGS	400	25-35 min.
FISH FILETS	350	15-25 min.
SALMON STEAKS	350	15-25 min.

Note: All broiling times are based on meats at refrigerator temperature. Frozen meats may take considerably longer. Therefore, use of a meat thermometer is highly recommended.

Baking with Convection

Convection baking is very consistent and even. The oven heats quickly, so preheating is not necessary or desirable. The fan circulates the hot air around the food making baked goods rise quickly and evenly.

Bake your favorite cookies, cakes, pies, brownies, etc. The bakeware that will fit in your oven are up to 9 inches in length.

We do not recommend the use of oven roasting bags or glass containers in the oven.

NEVER USE PLASTIC, CARDBOARD, PAPER OR ANYTHING SIMILAR IN THE OVEN.

Note: Position the wire rack in the Lowest Support Guide.

Operation

- Place the wire rack in the **lowest or middle** Rack Support Guide depending on the height of the pan or according to the recipe.
- Place pan with item(s) to be baked on the wire rack.
- Turn the Function Control to **Bake/Convection**.
- Turn the Time Control to position “**Stay On**”.
- When baking is complete, turn the Time Control to “**OFF**”.

Positioning of the Wire Rack

Cookies - Use bottom and middle Support Guides.

Layer Cakes - Use bottom Support Guide only (bake one at a time).

Pies - Use bottom Support Guide.

Baking Cookies

For baking cookies, we suggest adjusting baking temperature and using a cookie sheet placed on the wire rack. Also, using parchment paper on a cookie sheet might prove helpful when baking certain types of cookies.

1. Use parchment paper on cookie sheet so cookies will not stick.
2. Cookie sheets, baking times and temperatures may differ from those necessary when using other baking materials.

Note: Convection air is superheated and it circulates around the food, so it cooks food faster. When baking your favorite recipes or packaged goods, follow recipe instructions remembering not to preheat. Check the baked goods a few minutes before the shortest recommended baking time.

Baking Guide

Follow the package or recipe instructions for baking times and temperature.

Pizza

Bake your favorite pizzas in the toaster oven. The bake ware that will fit in your oven is up to 12 inches in diameter. **Never** use plastic, cardboard, paper or anything similar in the oven. Use the middle support guide to bake a pizza.

Operation

- Set the rounded wire rack into the middle support guide.
- Preheat oven for **15 minutes** on **450°F**.
- Turn the function control knob to “**Bake**”.
- Set On/Off timer control knob to “**STAY ON**” position.
- Then lower temperature according to baking instructions.
- Place pizza in the oven, and begin baking.
- When pizza is ready, turn the On/Off time control knob to “**OFF**” position.

Frozen Pizzas

Cook for **5-8 minutes** or as indicated on the package. It is advisable to remove the pizza from the freezer **10 minutes** before placing in the oven. Place pizza in toaster oven to bake.

Pizza Mix

Follow the instructions on the box. Place pizza in oven to bake. Cook for **18-25 minutes**.

Pizza From Scratch

Follow the recipe instructions. Place pizza in the toaster oven to bake.

Toasting with Convection

Large capacity oven allows for toasting 4 to 6 slices of bread, 6 muffins, frozen waffles or frozen pancakes. When toasting only 1 or 2 items, place food on the Wire Rack in the center of the oven.

Operation

- Set the Temperature Control to **450°F**.
- Turn the Function Control to **Toast/Convection**.
- Place food to be toasted on the Wire Rack.
- Ensure Crumb Tray is in place.
- Turn the Time Control to desired darkness. (Light to Dark).
- Bell will ring to signal the end of the Toast cycle.

Note: Wire Rack should be positioned in the middle of the oven with the indentations pointing down.

Toast Settings

Light: 4 min.
Medium: 7 min.
Dark: 9 min.

Caution: When toasting, **do not** leave food in for longer periods of time other than what is listed above. Toasting for longer than recommended times will burn food.

Grill

Please note that the Grill function is the same as broiling but without the convection feature. For best results, it is recommended that you preheat the oven for **15 minutes** on **450°F**.

Operation

- Set Temperature Control to **450°F**.
- Turn Function Control to Grill.
- Preheat the oven.
- Place the Wire Rack on the Crumb Tray.
- Place the food on the Wire Rack and slide into the Top Rack Support Guide or Middle Rack Support Guide depending on the thickness of the food that you are cooking.
- Food should be placed as close as possible to the Top Heating Element without touching it.
- Set temperature control to the appropriate temperature.
- Brush food with sauces or oil, as desired.
- Turn Time Control to position “**Stay On**”.
- It is advisable to leave the door slightly ajar.
- Turn food over midway through the prescribed cooking time.
- When grilling is complete, turn the Time Control to “**OFF**”.

Keep Warm

Keep cooked food warm for up to **30 minutes**. Longer periods of time are not recommended as food will become dry or will spoil.

Operation

- Set the Temperature Control to **150°F**.
- Turn the Function Control to Keep Warm.
- Turn the Time Control to “**Stay On**” position.
- Turn the Time Control to “**Off**” position when finished with Keep Warm.

Caution: When sliding trays out of oven, always support the rack. Do not let go until you are sure the rack is securely supported.

Warning: Be sure to unplug the oven and allow it to cool before cleaning.

To clean the inside of your oven, wipe the walls with a damp sponge, cloth or nylon scouring pad and mild detergent.

DO NOT USE STEEL WOOL SCOURING PADS, ABRASIVE CLEANSERS OR SCRAPE THE WALLS WITH A METAL UTENSIL, AS ALL OF THESE METHODS MAY DAMAGE THE INTERIOR FINISH.

All accessories should be washed in hot soapy water or can be cleaned in a dishwasher. The door can be wiped with a damp sponge and wiped dry with a paper or cloth towel. Clean the outside with a damp sponge. **DO NOT USE AN ABRASIVE CLEANER AS IT MAY DAMAGE THE EXTERIOR FINISH.**

DO NOT USE AN ABRASIVE CLEANER OR STEEL WOOL SCOURING PAD ON THE BROILER PAN AS IT MAY DAMAGE THE PORCELAIN ENAMEL FINISH.

LET ALL PARTS AND SURFACES DRY THOROUGHLY PRIOR TO PLUGGING OVEN IN AND USING.

Model
TO289N2



ONE (1) YEAR LIMITED WARRANTY

EURO-PRO Operating LLC warrants this product to be free from defects in material and workmanship for a period of one (1) year from the date of the original purchase, when utilized for normal household use, subject to the following conditions, exclusions and exceptions.

If your appliance fails to operate properly while in use under normal household conditions within the warranty period, return the complete appliance and accessories, freight prepaid. For Customer Service support, call 1 (800) 798-7398 or visit our website www.euro-pro.com.

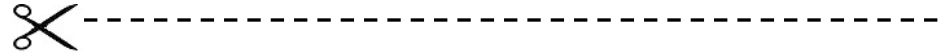
If the appliance is found by *EURO-PRO* to be defective in material or workmanship, *EURO-PRO* will repair or replace it free of charge. Proof of purchase date and \$ 12.95 to cover the cost of return shipping and handling must be included. *

The liability of *EURO-PRO Operating LLC* is limited solely to the cost of the repair or replacement of the unit at our option. This warranty does not cover normal wear of parts and does not apply to any unit that has been tampered with or used for commercial purposes. This limited warranty does not cover damage caused by misuse, abuse, negligent handling or damage due to faulty packaging or mishandling in transit. This warranty does not cover damage or defects caused by or resulting from damages from shipping or repairs, service or alterations to the product or any of its parts, which have been performed by a repair person not authorized by *EURO-PRO Operating LLC*.

This warranty is extended to the original purchaser of the unit and excludes all other legal and/or conventional warranties. The responsibility of *EURO-PRO Operating LLC* if any, is limited to the specific obligations expressly assumed by it under the terms of the limited warranty. **In no event is *EURO-PRO Operating LLC* liable for incidental or consequential damages of any nature whatsoever.** Some states/provinces do not permit the exclusion or limitation of incidental or consequential damages, so the above may not apply to you.

This warranty gives you specific legal rights, and you may also have other rights which vary from state to state or province to province.

***Important: Carefully pack item to avoid damage in shipping. Be sure to include proof of purchase date and to attach tag to item before packing with your name, complete address and phone number with a note giving purchase information, model number and what you believe is the problem with item. We recommend you insure the package (as damage in shipping is not covered by your warranty). Mark the outside of your package "ATTENTION CUSTOMER SERVICE". We are constantly striving to improve our products, therefore the specifications contained herein are subject to change without notice.**



**PRODUCT REGISTRATION CARD
FOR CANADIAN CONSUMERS ONLY**

Please complete and return within ten (10) days of purchase. The registration will enable us to contact you in the event a product defect is discovered. By returning this card you acknowledge to have read and understood the instructions for use, and warnings set forth in the accompanying instructions. RETURN TO:

EURO-PRO OPERATING LLC, 4400 BOIS FRANC, ST. LAURENT, QUEBEC H4S 1A7

TO289N2

Appliance Model

Date of Purchase

Name of store

Owner's name

Address

City

Prov.

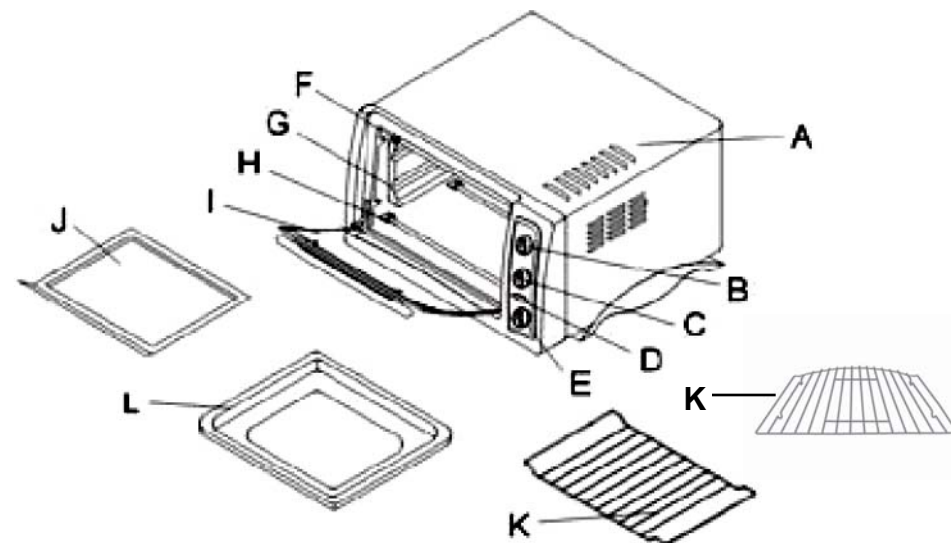
Postal Code

INSTRUCCIONES DE SEGURIDAD IMPORTANTES

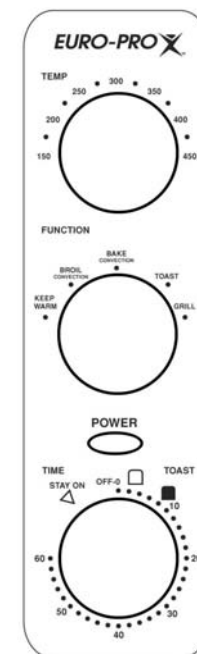
Al utilizar el **Horno Tostador de Convección**, siempre se deben considerar las siguientes precauciones básicas de seguridad:

1. Lea todas las instrucciones antes de utilizar el **Horno Tostador de Convección**.
 2. **No** toque las superficies calientes. Use siempre asas o mangos.
 3. Es importante poner mucha atención cuando sea usado por niños o cerca de éstos.
 4. Para protegerse contra descargas eléctricas, **no** sumerja el cable, enchufe ni ninguna otra parte del horno en el agua o ningún otro líquido.
 5. **No** deje que el cable cuelgue por el borde de la mesa o mesada ni que toque superficies calientes.
 6. **No** haga funcionar el artefacto si el cable o el enchufe está dañado o si éste no está funcionando correctamente o ha sufrido algún daño. Devuelva el artefacto al **EURO-PRO Operating LLC** más cercano para que lo examinen, reparen o ajusten. El uso de accesorios adicionales **no** recomendados por el fabricante puede implicar riesgos ni causar lesiones.
 7. **No** lo coloque sobre ni cerca de un quemador a gas o eléctrico.
 8. Cuando el horno esté funcionando, deje por lo menos cuatro pulgadas de espacio en todos sus costados para permitir una adecuada circulación de aire.
 9. Desconéctelo del tomacorriente cuando **no** esté en uso y antes de limpiarlo. Deje que se enfríe antes de colocarlo o sacarle partes y antes de limpiarlo.
 10. Para desconectarlo, gire el botón de control de tiempo a la posición de apagado ('OFF') y luego saque el enchufe. Tome siempre el enchufe y nunca jale del cable.
 11. Se debe tener extremo cuidado al mover una bandeja recogegotas que contenga aceite u otros líquidos calientes.
 12. **No** cubra la bandeja para las migajas o cualquier parte del horno con papel de aluminio. Esto puede hacer que el horno se recaliente.
 13. Tenga mucho cuidado al quitar la bandeja, rejillas o al eliminar aceite caliente u otros líquidos calientes.
 14. **No** limpie el interior del horno con esponjas de alambre. Podrían desprenderse pedazos y entrar en contacto con los componentes eléctricos, creando un riesgo de descarga eléctrica.
 15. En un horno tostador **no** se debe colocar alimentos de gran tamaño ni utensilios de metal, ya que se podrían incendiar o se podrían producir descargas eléctricas.
 16. Puede ocurrir un incendio si el horno se cubre o queda en contacto con material inflamable, como cortinas, tapices, paredes y otros similares cuando está en funcionamiento. **No** coloque ningún objeto sobre el horno mientras esté en uso.
 17. Se debe tener extremo cuidado al utilizar recipientes para cocción y horneado de materiales que **no** sean metal o vidrio refractario.
 18. Asegúrese de que nada toque los elementos superiores o inferiores del horno.
 19. No coloque ninguno de los siguientes materiales en el horno: cartón, plástico, papel ni nada similar.
 20. Cuando el horno **no** esté en uso, **no** guarde en su interior ningún material que **no** sean los accesorios que recomienda el fabricante.
 21. Este artefacto está apagado cuando el botón del control de tiempo está en la posición 'OFF'.
 22. Use siempre guantes protectores con aislantes al colocar o retirar platos del horno caliente.
 23. Este artefacto tiene una puerta de vidrio templado. Este vidrio es más fuerte que el vidrio convencional y no se rompe tan fácilmente. Aún así, el vidrio templado puede romperse en los bordes. Evite arañar la superficie de la puerta o mellar los bordes.
 24. **No** lo use al aire libre.
 25. **No** utilice el artefacto sino para el uso que está destinado.
- Esta unidad tiene un cable eléctrico corto para reducir el riesgo de enredarse o de tropezarse, como sucede con los cables largos. Se puede usar un alargador, si se tiene cuidado al utilizarlo:
1. La potencia eléctrica indicada del alargador debe ser al menos igual a la potencia eléctrica del artefacto.
 2. El alargador con el cable de energía se debe disponer de tal modo que **no** cuelgue por la mesada o mesa para evitar que los niños lo jalen o tropezarse accidentalmente con él.

CONOZCA EL HORNO TOSTADOR DE CONVECCIÓN



- A. Caja
- B. Control de temperatura
- C. Control de funciones
- D. Luz de encendido
- E. Cronómetro
- F. Calefactor superior
- G. Guías de soporte de rejillas
- H. Calefactor inferior
- I. Puerta de vidrio
- J. Bandeja para las migajas
- K. Rejilla (x2)
- L. Bandeja recogegotas



Especificaciones Técnicas

Voltaje: 120V., 60Hz.
Potencia: 1200 Watts

PANEL DE CONTROL

*Nota: El dibujo puede no ser igual al producto real.

GUARDE ESTAS INSTRUCCIONES Sólo Para Uso Doméstico

ADVERTENCIA: Para reducir el riesgo de descarga eléctrica, este artefacto tiene un enchufe polarizado (una clavija es más ancha que la otra). Este enchufe calza sólo de una manera en un tomacorriente polarizado. Si el enchufe no encaja totalmente en el tomacorriente, inviértalo. Si aún así **no** entra, póngase en contacto con un electricista calificado para que instale un tomacorriente adecuado. **No modifique el enchufe de forma alguna.**

Lea todas las secciones de este folleto y siga cuidadosamente todas las instrucciones.

Antes de Usar El Horno Tostador de Convección

1. Lea todas las instrucciones incluidas en este manual.
2. Asegúrese de que el horno esté desenchufado y que el control de tiempo esté en la posición de apagado ("OFF").
3. Lave todos los accesorios en agua caliente con detergente o en el lavavajillas.
4. Deje secar bien todos los accesorios y vuelva a armarlos en el horno. Enchufe el artefacto en el tomacorriente y ya está listo para usar el **Horno Tostador de Convección**.
5. Una vez armado nuevamente el horno, recomendamos que lo haga funcionar a la temperatura más alta (**450°F**) en la función de tostador por unos **15 minutos**, para eliminar cualquier residuo del embalaje que pudiera haber quedado después del envío. Esto también eliminará cualquier rastro de olor inicialmente presente.

Tenga Presente: La primera vez que se hace funcionar, se podría percibir un olor y humo (alrededor de **15 minutos**). Esto es normal y no es dañino. Se debe a que se queman las sustancias protectoras aplicadas en la fábrica a los calefactores.

Cocción por Convección

La cocción con convección combina el movimiento de aire caliente por un ventilador con las operaciones normales (asado, horneado y tostado). La cocción con convección proporciona una cocción más rápida que la de hornos convencionales a radiación para la mayoría de los casos. El ventilador envía aire a toda la superficie de los alimentos, dejándolos rápidamente dorados, crocantes y atrapando la humedad y el sabor. Produce una temperatura más pareja alrededor de toda la comida debido al movimiento del aire, de modo que los alimentos se cocinan/hornean/tuestan más parejo comparado con las zonas calientes y frías de los hornos comunes. La función de convección permite asar/hornear a temperaturas más bajas, lo que ahorra energía y ayuda a mantener más fría la cocina. El aire convección de sobrecalienta y circula alrededor de la comida por lo tanto cocina los alimentos mucho más rápido que los hornos convencionales.

Uso del Horno Tostador de Convección

Antes usarlo por primera vez, familiarícese con las siguientes funciones y accesorios del horno:

Control de Temperatura

Seleccione la temperatura deseada desde **150°F** (Mantener Caliente) a **450°F** para hornear, asar, tostar o grillar.

Control de Funciones

Este horno está provisto de cinco posiciones para diversas necesidades de cocción:

Bake w/Convection (Horneado c/convección): Tartas, pasteles, galletas, aves, vacuno, cerdo, etc.

Toast w/Convection (Tostado c/convección): Pan, panecillos, barquillos congelados, etc.

Grill: Para grillar pescados, carnes, sandwiches, huevos con tocino, etc.

Broil w/Convection (Asado a la parrilla c/convección): Para asar a la parrilla pescados, carnes, aves, chuletas de cerdo, etc.

Keep Warm (Mantener caliente): Para mantener calientes los alimentos cocinados durante **30 minutos**.

Uso del Horno Tostador de Convección

Control de Tiempo

Cuando se gira el control hacia la izquierda (en sentido contrario a las agujas del reloj), el horno permanece encendido ("STAY ON") hasta que se apaga manualmente ("OFF"). Para activar el segmento de cronómetro del control, gire hacia la derecha (en el sentido de las agujas del reloj) para tostar o utilizar como cronómetro. Esta función también tiene una campanilla que suena cuando termina el tiempo programado.

Ventilador de Convección

El ventilador de convección funciona automáticamente en las posiciones Broil, Bake y Toast.

Luz de Encendido

Permanece encendida mientras el horno está en uso.

Bandeja Recogegotas

Se usa cuando se asan carnes, aves, pescado y otros alimentos.

Advertencia: Para evitar el riesgo de sufrir lesiones o quemaduras, no toque las superficies calientes cuando el horno esté en uso. SIEMPRE USE GUANTES DE COCINA.

Precaución: Siempre tenga mucho cuidado al retirar la bandeja recogegotas, rejilla o cualquier recipiente caliente de un horno caliente. SIEMPRE USE GUANTES DE COCINA PARA SACAR OBJETOS CALIENTES DEL HORNO.

Asado a la Parrilla con Convección

Los calefactores superiores tienen un ciclo de encendido y apagado para mantener el máximo de temperatura en el horno. Para obtener mejores resultados, el horno debe precalentarse por **20 minutos a 450°F** antes de incorporar el alimento que se va a asar. En el horno de convección, no es necesario dar vuelta al alimento, porque el ventilador hace circular el aire caliente a su alrededor. Para permitir la circulación del aire, el alimento debe colocarse en la rejilla con la bandeja para migajas debajo de éste (vea la ilustración).

Operación

- Ajuste el control de temperatura a **450°F**.
- Gire el control de funciones a **Broil/Convection**
- Precaliente el horno.
- Coloque la rejilla sobre la bandeja para migajas.
- Coloque el alimento en la rejilla y deslícela en la guía de soporte de rejilla superior o en la guía de soporte de rejilla media, según el tamaño del alimento que esté cocinando.
- El alimento debe colocarse lo más cerca posible del calefactor superior, sin tocarlo.
- Ajuste el control de temperatura en el nivel adecuado.
- Pase un pincel a los alimentos con las salsas o aceite, según lo desee.
- Gire el control de tiempo a la posición **“Stay On”**.
- Es aconsejable dejar la puerta **ligeramente entreabierta**.
- Cuando esté listo, gire el control de tiempo a la posición **“OFF”**.



Guía para Asar a la Parrilla

Los resultados de la cocción pueden variar según el tamaño del alimento que se ase; ajuste estos tiempos a sus requerimientos individuales. Además, recuerde dar vuelta a la carne/pescado en la mitad del tiempo de cocción y controlarlo con frecuencia mientras se asa para evitar que se cocine en exceso.

CARNE	TEMP DEL HORNO	TIEMPO DE COCCIÓN
FILETE DE COSTILLA	400	20 a 25 min.
CHULETÓN DE COSTILLA CON HUESO	400	20 a 25 min.
HAMBURGUESA	400	15 a 25 min.
CHULETAS DE CERDO	400	25 a 35 min.
CHULETAS DE CORDERO	400	30 a 40 min.
PIERNAS DE POLLO	400	25 a 35 min.
FILETES DE PESCADO	350	15 a 25 min.
BISTECS DE SALMÓN	350	15 a 25 min.

Nota: Todos los tiempos de asado se basan en carnes a temperatura de refrigerador. Las carnes congeladas pueden tomar considerablemente más tiempo. Por lo tanto, se recomienda la utilización de un termómetro para carne.

Horneado con Convección

El horneado por convección es muy uniforme y parejo. El horno se calienta rápidamente, de modo que no es necesario ni deseable precalentarlo. El ventilador hace circular el aire caliente en todo el alimento, haciendo que los productos horneados suban en forma rápida y pareja.

Hornee sus galletas, tartas, pasteles, bizcochos de chocolate y nueces, etc. En el horno caben utensilios para hornear hasta de 9 pulgadas de longitud. No recomendamos el uso de bolsas para asar al horno ni recipientes de vidrio.

NUNCA UTILICE PLÁSTICO, CARTÓN, PAPEL O MATERIALES SIMILARES EN EL HORNO.

Nota: Coloque la rejilla en la guía de soporte inferior.

Operación

- Coloque la rejilla en la guía de soporte de rejilla **inferior o media** según la altura del recipiente o de acuerdo con la receta.
- Coloque el recipiente con los alimentos que se hornearán en la rejilla.
- Gire el control de funciones a **Bake/Convection**.
- Gire el control de tiempo a la posición **“Stay On”**.
- Cuando termine el horneado, gire el control de tiempo a la posición **“OFF”**.

Ubicación de la Rejilla

Galletas: Utilice las guías de soporte inferior y media.

Bizcochos de Varias Capas: Utilice únicamente la guía de soporte inferior (hornee uno a la vez).

Pasteles: Utilice la guía de soporte inferior.

Horneado de Galletas

Para hornear galletas, sugerimos ajustar la temperatura de horneado y usar una bandeja galletera sobre la rejilla. Además, el uso de papel pergamino sobre una bandeja galletera podría ser útil al hornear ciertos tipos de galletas.

1. Use papel pergamino sobre la bandeja galletera para que las galletas no se peguen.
2. Las bandejas galleteras, los tiempos y las temperaturas de horneado pueden variar dependiendo de los materiales de horneado.

Nota: El aire de convección se sobrecalienta y circula alrededor de los alimentos, lo que permite que se cocinen hasta más rápidamente. Al hornear sus recetas favoritas o alimentos envasados, siga las instrucciones de la receta y recuerde no precalentar el horno. Controle los alimentos horneados unos minutos antes del tiempo de horneado más breve recomendado.

Guía de Horneado

Siga las instrucciones del envase o de la receta para conocer los tiempos y temperatura de horneado.

Pizza

Cocine su pizza preferida en el horno tostador. Puede colocar recipientes de hasta 12 pulgadas de diámetro en su horno. **Nunca** utilice plástico, cartón, papel o algo similar en el horno. Utilice la guía de soporte central para cocinar pizza.

Operación

- Coloque la bandeja de alambre redondeada en la guía central.
- Precaliente el horno durante **15 minutos a 450°F**.
- Gire la perilla de control de función a "**Bake**".
- Coloque la perilla de control del temporizador en la posición "**STAY ON**".
- Baje la temperatura de acuerdo con las instrucciones de la receta.
- Coloque la pizza en el horno y comience a cocinarla.
- Una vez que haya terminado de cocinar, gire el control de tiempo a "**OFF**".

Pizzas Congeladas

Cocine durante **5-8 minutos** o como se indique en el paquete. Es recomendable sacar la pizza del congelador **10 minutos** antes de ponerla en el horno. Coloque la pizza en el horno tostador para cocinarla.

Polvo para preparar Pizza

Siga las instrucciones de la caja. Coloque la pizza en el horno para cocinarla. Cocínela durante **18-25 minutos**.

Pizza Empezando desde Cero

Siga las instrucciones desde el comienzo. Coloque la pizza en el horno tostador para cocinarla.

Tostado con Convección

La gran capacidad del horno permite tostar 4 a 6 rebanadas de pan, 6 panecillos, barquillos congelados o pan queques congelados. Cuando tueste sólo 1 ó 2 unidades, coloque el alimento en la rejilla al centro del horno.

Operación

- Coloque el control de temperatura en **450°F**.
- Gire el control de funciones a **Toast/Convection**.
- Coloque el alimento que desea tostar en una rejilla.
- Asegúrese de que la bandeja para migajas esté instalada.
- Gire el control de tiempo a la posición deseada. (Claro a oscuro).
- La campanilla sonará para indicar el fin del ciclo de tostado.

Nota: La rejilla se debe colocar en el medio del horno con la parte dentada hacia abajo.

Ajuste de Tostado

Light (claro): 4 min.
Medium (mediano): 7 min.
Dark (oscuro): 9 min.

Precaución: Al tostar, **no** deje los alimentos dentro del horno durante más tiempo que los períodos antes indicados. Un tostado que exceda los tiempos recomendados quemará los alimentos.

Grill

Observe que la función Grill es lo mismo que asar, pero sin la función de convección. Para obtener los mejores resultados se recomienda precalentar el horno durante **15 minutos a 450°F**.

Operación

- Ajuste el control de temperatura a **450°F**.
- Ajuste el control de funciones en **Grill**.
- Precaliente el horno.
- Coloque la rejilla sobre la bandeja para migajas.
- Coloque el alimento en la rejilla y deslícela en la guía de soporte de rejilla superior o en la guía de soporte de rejilla media, según el tamaño del alimento que esté cocinando.
- El alimento debe colocarse lo más cerca posible del calefactor superior, sin tocarlo.
- Ajuste el control de temperatura en el nivel adecuado.
- Pase un pincel a los alimentos con las salsas o aceite, según lo desee.
- Gire el control de tiempo a la posición "**Stay On**" (Permanecer Encendido).
- Es aconsejable dejar la puerta ligeramente entreabierta.
- Dé vuelta el alimento cuando haya transcurrido el tiempo de cocción prescrito.
- Cuando termine el grillado, gire el control de tiempo a la posición "**OFF**".

Keep Warm (Mantener caliente)

Mantiene los alimentos cocinados calientes durante **30 minutos**. No se recomiendan períodos más prolongados, porque los alimentos se secarán o estropearán.

Operación

- Coloque el control de temperatura en **150°F**.
- Gire el control de funciones a **Keep Warm**.
- Gire el control de tiempo a la posición "**Stay On**".
- Cuando haya terminado con **Keep Warm**, gire el control de tiempo a la posición "**Off**".

Precaución: Al deslizar las bandejas fuera del horno, siempre sostenga la rejilla. **NO LA SUELTE HASTA ESTAR SEGURO DE QUE LA RÉJILLA ESTÁ FIRMEAMENTE APOYADA.**

Advertencia: Asegúrese de desenchufar el horno y dejar que se enfríe antes de limpiarlo.

Si lo desea, repase las paredes con una esponja húmeda, trapo o almohadilla de nylon y con un detergente suave.

NO UTILICE ALMOHADILLAS DE LANA DE ACERO, LIMPIADORES ABRASIVOS O RASPE LAS PAREDES CON UTENSILIOS METÁLICOS, YA QUE TODOS ESTOS MÉTODOS PUEDEN DAÑAR EL RECUBRIMIENTO AUTOLIMPIANTE.

Todos los accesorios se deben lavar con agua tibia y detergente o bien en un lavavajillas. La puerta se puede limpiar con una esponja húmeda y secar con una toalla de papel o paño. Limpie el exterior con una esponja húmeda. **NO USE UN LIMPIADOR ABRASIVO, YA QUE PUEDE DAÑAR EL ACABADO DEL EXTERIOR.**

NO USE LIMPIADORES ABRASIVOS O ESPONJAS DE ALAMBRE EN LA BANDEJA RECOGEGOTAS, YA QUE SE PUEDE DAÑAR EL ACABADO CON BARNIZ DE PORCELANA.

DEJE QUE TODOS LOS COMPONENTES Y SUPERFICIES SE SEQUEN BIEN ANTES DE ENCHUFAR EL HORNO Y USARLO.

Modelo
TO289N2

EURO-PRO 

GARANTÍA LIMITADA POR UN (1) AÑO

EURO-PRO Operating LLC garantiza que este producto no presentará defectos de materiales ni mano de obra durante un período de un (1) año a partir de la fecha de la compra original, siempre que se utilice para uso doméstico normal, sujeto a las siguientes condiciones, exclusiones y excepciones.

Si el artefacto no funcionara adecuadamente al usarlo en condiciones domésticas normales dentro del período de garantía, devuelva el artefacto completo y sus accesorios, con envío prepagado. Para Servicio al Cliente, llame al 1 (800) 798-7398 o visite nuestro sitio Web www.euro-pro.com.

Si **EURO-PRO** considera que el artefacto presenta defectos de materiales o mano de obra, **EURO-PRO** lo reparará o cambiará en forma gratuita. Deben incluirse el documento que compruebe de la fecha de compra y \$ 12.95 para cubrir el costo del envío y manipulación. *

La responsabilidad de **EURO-PRO Operating LLC** se limita exclusivamente al costo de la reparación o cambio de la unidad, según su criterio. Esta garantía no cubre el desgaste normal de las piezas y no se aplica a ninguna unidad que haya sido alterada o utilizada para propósitos comerciales. Esta garantía limitada no cubre los daños causados por mal uso, abuso, manejo negligente o los daños debidos a defectos en el embalaje o maltratos en el tránsito. Esta garantía no cubre los daños o defectos causados o que resulten de daños por envío o reparación, servicio o alteraciones al producto o a cualquiera de sus piezas, realizados por un técnico no autorizado por **EURO-PRO**.

Esta garantía se extiende al comprador original de la unidad y excluye toda otra garantía legal y/o convencional. La responsabilidad de **EURO-PRO Operating LLC**, de haberla, se limita a las obligaciones específicas que asume expresamente según los términos de la garantía limitada. **En caso alguno EURO-PRO Operating LLC es responsable de daños incidentales o indirectos de ninguna naturaleza.** Algunos estados/provincias no permiten la exclusión o limitación de daños incidentales o indirectos, por lo que lo anterior podría no aplicarse a usted.

Esta garantía le otorga derechos legales específicos y usted también podría tener otros derechos, que varían de un estado a otro o de una provincia a otra.

***Importante: Embale cuidadosamente el artículo para evitar que se dañe durante el envío. Asegúrese de incluir el documento que demuestre la fecha de compra y una etiqueta con su nombre, dirección completa y número de teléfono con una nota con los datos de la compra, número de modelo y una explicación de lo que piensa que es el problema. Recomendamos asegurar el paquete (ya que los daños producidos durante el envío no los cubre la garantía). En el exterior del paquete, coloque "ATTENTION CUSTOMER SERVICE". Nos esforzamos constantemente por mejorar nuestros productos, de modo que las especificaciones aquí contenidas están sujetas a cambio sin aviso previo.**



TARJETA DE REGISTRO DE PRODUCTO SÓLO PARA CONSUMIDORES CANADIENSES

Complete y devuelva dentro de diez (10) días de la compra. El registro nos permitirá ponernos en contacto con usted en caso de que se descubra un defecto en el producto. Al devolver esta tarjeta usted reconoce haber leído y comprendido las instrucciones de uso y las advertencias que se establecen en las instrucciones adjuntas. **ENVIAR A:**

EURO-PRO Operating LLC, 4400 Bois Franc, St. Laurent, Quebec H4S 1A7

TO289N2

Modelo del Artefacto

Fecha de Compra

Nombre de la tienda

Nombre del Propietario

Dirección

Ciudad

Provincia

Código Postal

Free Manuals Download Website

<http://myh66.com>

<http://usermanuals.us>

<http://www.somanuals.com>

<http://www.4manuals.cc>

<http://www.manual-lib.com>

<http://www.404manual.com>

<http://www.luxmanual.com>

<http://aubethermostatmanual.com>

Golf course search by state

<http://golfingnear.com>

Email search by domain

<http://emailbydomain.com>

Auto manuals search

<http://auto.somanuals.com>

TV manuals search

<http://tv.somanuals.com>