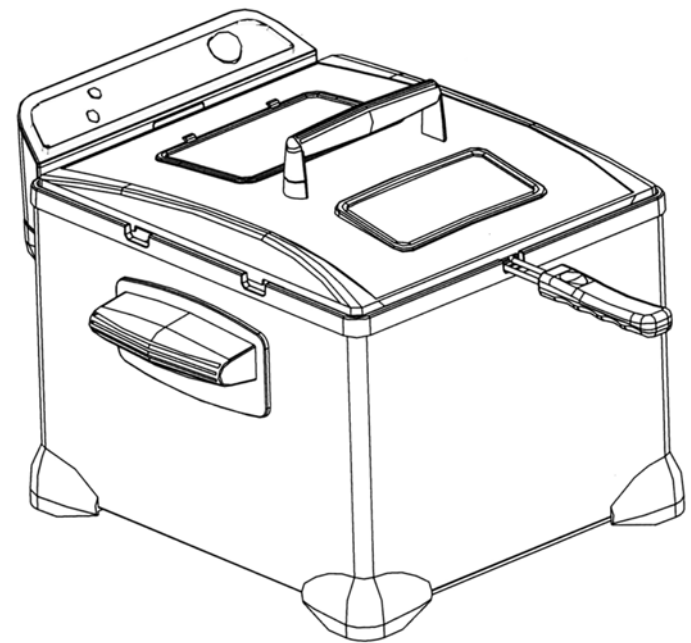


Bravetti®

**Professional 8 Liter Deep Fryer
Freidora de Inmersión Profesional de 8 Litros
Friteuse Professionnelle de 8 Litres**

**OWNER'S MANUAL
MANUAL DEL USUARIO
GUIDE D'UTILISATION**

**Model / Modelo / Modèle F1100B
120V., 60Hz., 1500 Watts**



**EURO-PRO OPERATING LLC
Boston, MA, 02465
1 (800) 798-7398
www: euro-pro.com**

EURO-PRO X

IMPORTANT SAFETY INSTRUCTIONS

When using electrical appliances, basic safety precautions should always be followed, including the following:

1. Read all instructions for use carefully and look at the illustrations before you start using the appliance.
2. Do not touch hot surfaces, always use handles or knobs.
3. To protect against electrical shock, do not immerse cord and plug of this appliance in water or other liquids.
4. Close supervision is necessary when any appliance is used by or near children.
5. Unplug from outlet when not in use and before cleaning. Allow to cool before putting on or taking off parts and before cleaning the appliance.
6. Do not operate any appliance with a damaged cord or plug, or after the appliance malfunctions, has been dropped or damaged in any manner. Return the appliance to **EURO-PRO Operating LLC** for examination, repair or adjustment. See warranty.
7. Never plug in before the control panel is installed in the body of the fryer and the heating element is placed in the oil container.
8. Never overfill the fryer with oil. Fill only between the minimum and maximum levels, as indicated inside the oil container.
9. Be sure handle is properly assembled to the basket and locked in place. See detailed assembly instructions.
10. The use of accessory attachments not recommended by the appliance manufacturer may cause injuries.
11. Always insert heating element in the appliance first, then plug into the wall outlet. To disconnect, remove plug from wall outlet then wait for the unit to cool completely before removing the heating element.
12. Extreme caution must be used when moving any appliance containing hot oil or other hot liquids.
13. Do not leave appliance unattended while in use.
14. Do not use outdoors.
15. Do not let cord hang over the edge of the table, counter or touch hot surfaces.
16. Do not place on or near a hot gas or electric burner, or in a heated oven.
17. Do not use appliance for other than intended household use.

SPECIAL SAFETY INSTRUCTIONS

- A short power supply cord is provided to reduce the risk resulting from becoming entangled in or tripping over a longer cord. An extension cord (or longer detachable cord) is not recommended for use with deep fryers.
- Never plug in the control panel before it is installed in the body of the fryer with the heating element inside the oil container.
- Do not immerse the control panel and heating element in water.
- When opening the lid after frying, first release the lid by pushing the latch with your finger, then wait a moment to allow the steam inside to escape before opening fully.
- To avoid a circuit overload, do not operate another high wattage appliance on the same circuit.

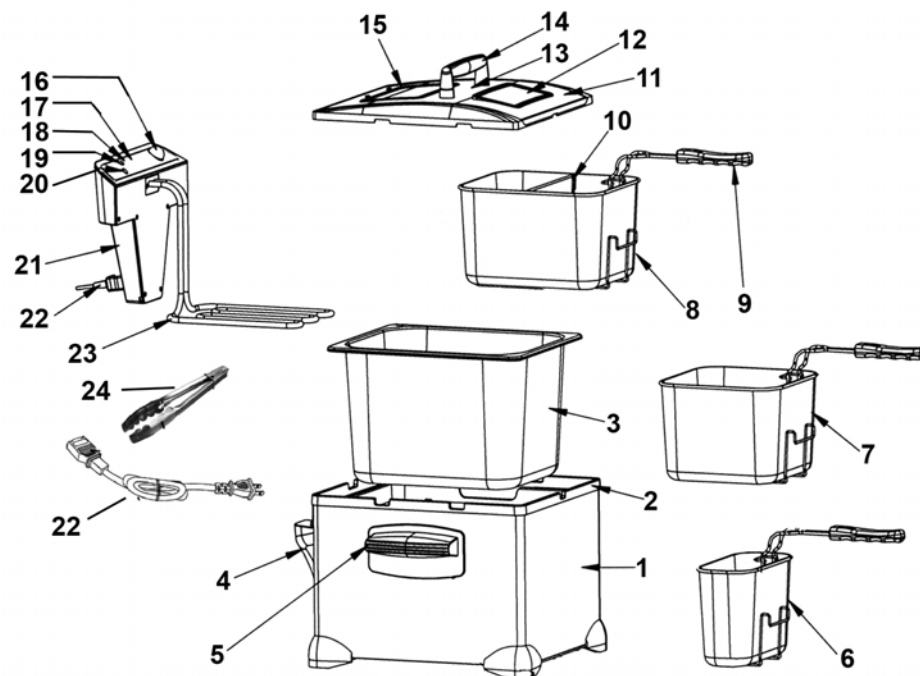
POLARIZED PLUG



WARNING: To reduce the risk of electric shock, this appliance has a polarized plug (one blade is wider than the other). This plug will fit in a polarized outlet only one way. If the plug does not fit fully in the outlet, reverse the plug. If it still does not fit, contact a qualified electrician to install the proper outlet. Do not modify the plug in any way.

**SAVE THESE INSTRUCTIONS
FOR HOUSEHOLD USE ONLY**

GETTING TO KNOW YOUR DEEP FRYER



- | | |
|------------------------------|--|
| 1. Deep Fryer Body | 13. Cover Handle Plate |
| 2. Middle Housing | 14. Cover Handle |
| 3. Oil Container | 15. Washable Filter (*not shown) |
| 4. Control Panel Guide Rails | 16. Time/Temperature Knob |
| 5. Handle | 17. Time/Temperature Display |
| 6. Small Fry Basket (x2) | 18. Ready Light |
| 7. Medium Fry Basket | 19. Clear Button |
| 8. Large Divided Basket | 20. Power Button |
| 9. Basket Handle (x3) | 21. Control Panel With Heating Element |
| 10. Basket Divider | 22. Break Away Cord |
| 11. Deep Fryer Cover | 23. Heating Element |
| 12. Viewing Window | 24. Tongs |
| | 25. Thermostat Reset Button (*not shown) |

Technical Specifications

Voltage: 120V., 60Hz.
Power: 1500 Watts
Oil Capacity: 8.4 Qts (8 Liters)

Note: Illustrations may differ from actual unit.

OPERATING INSTRUCTIONS

Read all the sections of this booklet and follow all the instructions carefully.

Using for the First Time

Warning: Never attach the magnetic power cord to the unit before the control panel is inserted into the unit with the heating element in the oil container. Do not immerse the control panel, cord or plug in water.

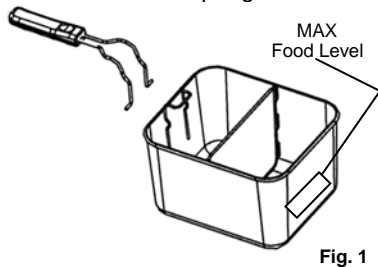
Note: When unpacking the unit, make sure that you remove the oil container from the deep fryer body and remove the packaging material that is between the main housing and the oil container.

Note: This unit should not be used to boil water.

Prior To First Use, Clean The Unit Thoroughly

Warning: Always let the fryer cool completely for 2 hours before taking it apart for cleaning. Never carry or move the Deep Fryer with hot oil inside. Before cleaning, always make sure the plug is not in the wall socket.

- All components with the exception of the electrical parts, can be washed in warm soapy water. Dry thoroughly before use.
- **Always** use basket handle to remove the frying basket. Always make sure the basket handle is securely attached to the basket. To attach the handle to the frying basket, pinch the handle ends together to fit into the metal bracket on the frying basket. Pull handle towards you to lock into place. (Fig. 1)
- Lift the control panel up and remove from the unit
- Remove the oil container.
- Clean the oil container and the frying basket with hot water, dishwashing liquid or other non-poisonous detergent and non-abrasive sponge.



Warning: Never immerse the control panel in water or any other liquids.

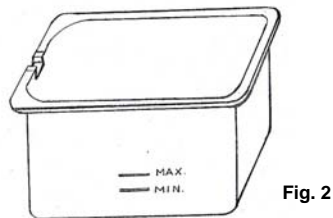
Caution: All components must be completely dried before filling with oil or using. Special care must be taken to ensure the washable oil filter in the lid is completely dry, otherwise the filter will not function properly and may lead to steam being trapped within the fryer during use.

Warning: Never exceed "MAX" line when filling the basket with food.

Filling the Oil Container

Warning: Never plug in the deep fryer before filling with oil to specified level. Always make sure control panel is securely in place in the body and the heating element is inside the oil in the container before plugging in.

- Use blended vegetable oil, pure corn oil or canola (rapeseed) oil. Do not use olive oil, margarine, lard or drippings.
- The oil level must always be maintained between the minimum (12 cups / 2.8 liters) and the maximum (8.4 quarts / 8 liters) levels marked inside the oil container. Check the oil level before each use. For best results, keep the oil close to the maximum level. (Fig. 2)
- Never mix different oils and fats together. Do not mix old and new oil.



OPERATING INSTRUCTIONS

Using Solid Fat

Warning: Do not put solid shortening in the oil container or the frying basket.

- If using solid vegetable shortening, melt it first in a separate pan and then very carefully pour the melted fat into the oil container.
- Previously used solid vegetable shortening which has curdled and hardened in the oil tank should be removed from the oil container and melted in a separate pan before reusing.

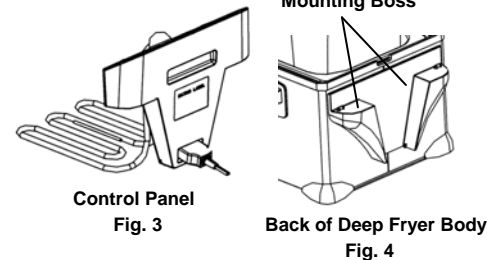
Warning: If you try to melt the solidified fat in the oil container, there is a risk of warm melted fat suddenly sputtering from below through the still solid top layer of fat. Therefore use only the following procedure:

- Make sure the fat is at room temperature. If the fat is very cold, there is a greater risk of splashing.
- Using a fork, carefully make some holes in the fat. Make sure the lid is securely closed while fat is melting. Set temperature dial to 320° F (160° C).

Installing the "Control Panel With the Heating Element" Into Place

- Lift up the control panel with heating element. (Fig. 3)
- Insert the control panel into the mounting boss on the deep fryer body. (Fig. 4)

Note: The Automatic Safety Interlock Switch ensures that the unit will not operate unless the control panel has been inserted into the mounting boss of the deep fryer body correctly. This is not a defect. This product is fitted with a safety switch to prevent the unit from turning on accidentally.



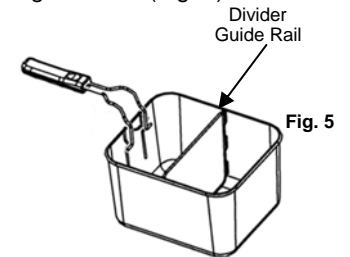
Using the Deep Fryer

Warning: Never plug in the Deep Fryer before filling with oil to specified level. Always make sure control panel is securely in place in the body and the heating element is inside the oil in the container before plugging in.

Important: Ensure the control panel is fitted correctly to the main unit otherwise the unit will not function. This is not a defect. This product is fitted with a safety interlock switch to prevent the unit from turning on accidentally.

Frying Baskets

- You have a choice of three different sizes of baskets for your frying needs.
- The small and medium baskets can be used for appropriate portions of food.
- The large divided basket can be used to fry two different foods that require the same frying temperature at the same time or by removing the divider, you can fry larger quantities. To remove the divider make sure the basket is cool.
- Place the divider in the guide rails of the large basket. (Fig. 5)



OPERATING INSTRUCTIONS

Pre-Heating

Warning: In order to avoid injury or burns, never touch any metal parts on the deep fryer because they may be hot.

- Make sure the oil level in the oil container is between the "minimum" and "maximum" lines. Do **NOT** exceed the "MAX" line on the oil container when filling with oil.
- The frying basket should not be immersed in the oil during the pre-heating.
- Replace the deep fryer cover.
- Plug the appliance into a 120-volt outlet. The unit will beep and the "Ready Light" light will come on and it will be "Green".
- Press the power button (Fig. 6) and the unit will beep again. The upper screen display will show 320°F and the lower screen will display __:__. The "Ready Light" will now turn "Red".
- Temperature: The temperature is adjustable from 155°F to 385°F in 5°F increments. If you want to raise the temperature, press the knob, make sure the temperature

indicator is flashing and turn the knob clockwise. When you press the knob, the unit will beep. If you want to lower the temperature, press and turn the knob counter-clockwise. When you press the knob, the unit will beep again. The upper screen will display the temperature that you set. The "Ready Light" will remain "Red" while the oil is heating to desired temperature. (Fig. 6) Once the oil temperature has been reached, the "Ready Light" will turn "Green" again and flash.

- Timer: The MAX timer time is 15 minutes. When you turn the deep fryer on, the display screen will show __:__. This means that there is no time set. You can set the timer up to a maximum of 15 minutes. To set the timer, press the knob, ensure that timer indicator is flashing and turn the knob until you reach the time desired.
- Clear function: If you press the clear button, the unit will go to the default status. The default temperature is 320°F and the default time is __:__.

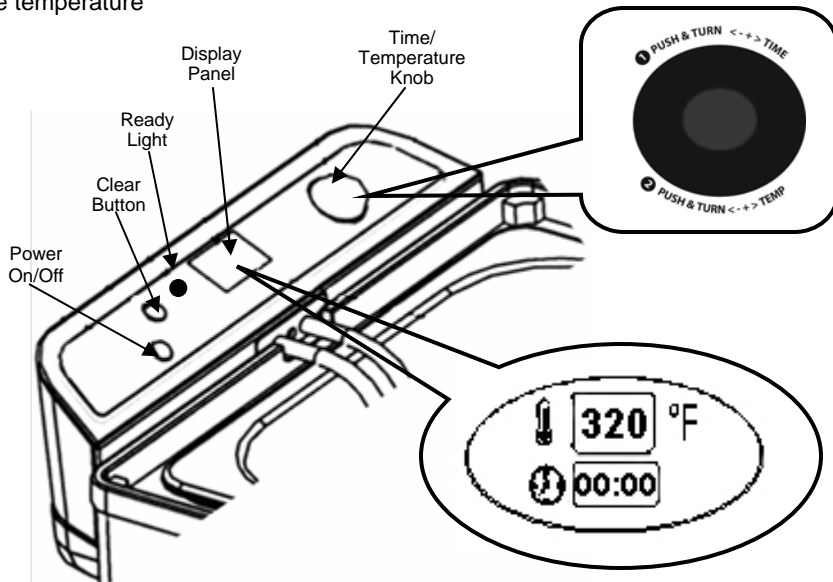


Fig. 6

OPERATING INSTRUCTIONS

Filling the Frying Baskets

- Select the appropriate fryer basket for the task
- Do not fill the frying basket when it is immersed in oil.
- Place the food in the frying basket. Do not overfill it and never exceed the maximum quantities. For optimum results and shorter frying times, basket should be only 1/2 full.
- Do not fill the baskets higher than the **MAX** line on the basket with frozen food. (Fig. 7)

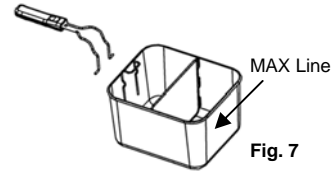


Fig. 7

Frying Food

Note: When frying frozen food such as French Fries, remove the frying basket before filling with frozen food because oil will spatter and may cause burns. You should not fill the frying baskets more than halfway. Remove any ice crystals from the frozen food prior to frying. Failure to do so may cause the oil in the deep fryer to overflow when the food is placed in the oil.

- Always use the frying baskets to fry food.
- When the oil is pre-heated, the ready light will start flashing and turn green, indicating that the desired temperature is reached.
- Slowly lower the frying basket into the hot oil. Lowering the frying basket too quickly can result in the oil overflowing and splashing.
- Replace the deep fryer cover carefully.
- It is normal for steam to escape through the sides of the cover while frying.
- Avoid standing too close to the deep fryer while it is working.

Warning: When opening the cover after frying, lift up the cover slightly, then wait to allow steam to escape before removing the cover completely. Keep face away from unit to avoid burns caused by escaping steam.

Caution: When frying frozen foods such as French Fries, you should not exceed the max line on the fryer baskets. Clean off any ice from frozen food prior to frying. Failure to do so may cause fryer to overflow when food is placed in oil.

Warning: When frying foods, **always** remove the frying basket from the deep fryer before filling with food because oil will spatter and cause burns. Be especially cautious when frying frozen foods.

- Push the On/Off button to shut the unit off.
- The ready light will remain lit when the unit is turned "Off"
- Unplug the main cord from the electrical outlet.
- Lift up the cover slowly and wait to allow steam to escape before removing the cover completely.
- Lift up the frying basket by the handle. Place it on the oil container and allow the food to drain for a minute.
- Once the oil has drained from the frying basket, the basket may be lifted off and the food served.

Warning: Always let the deep fryer cool completely (approximately 2 hours) before cleaning or storing. Never carry or move the deep fryer with hot oil inside.

OPERATING INSTRUCTIONS

Frying Tips

- Do not mix different oils or new and old oil together.
- Replace oil regularly. In general, oil will be tainted fast when frying food containing a lot of protein, (such as poultry, meat and fish). When oil is used mainly to fry potatoes and is filtered after each use, it can be used up to 8 to 10 times, but do not use the same oil for more than 6 months.
- Always replace all oil as soon as it starts foaming when heated or when color becomes dark or when it has a rancid smell or taste or becomes syrupy.
- Make sure that the food to be fried is dry.
- Remove loose ice from frozen food before frying. Rinse and pat dry.
- To cook evenly, pieces should be the same size and thickness.
- Thicker pieces will take longer to cook.

Temperature Settings

The following cooking times reflect only the approximate time needed to fry one basket 1/2 full. The exact time may be different depending on actual quantity, personal cooking preferences, size and thickness of pieces, etc...

Food	Cooking Time	Temperature
French Fries	2-3 minutes	375°F
Fish Fillets	3-4 minutes	320°F
Chicken Fingers	3-5 minutes	350°F
Chicken Pieces	10-15 minutes	350°F
Fried Zucchini	2-3 minutes	375°F
Fried Mushrooms	3-4 minutes	375°F
Onion Rings	2-3 minutes	320°F
Donuts	3-5 minutes	350°F
Apple Beignets	4 minutes	375°F
Shrimp	2-3 minutes	320°F

OPERATING INSTRUCTIONS

Filtering & Changing The Oil

- Make sure the deep fryer is unplugged and the oil has cooled before cleaning or storing the deep fryer.
- The oil does not need to be changed after each use. In general, the oil will be tainted rather quickly when frying food containing a lot of protein (such as poultry, meat or fish). When oil is mainly used to fry potatoes and is filtered after each use, it can be used 8 to 10 times. However, do not use the same oil for longer than 6 months.
- To filter the oil first make sure the oil has cooled and then empty the oil from the oil container into another container or bottle. (Fig. 8) Wash and dry the oil container and basket. Refill the oil container with the oil, pouring the oil through a wire strainer or paper filter. (Fig. 9)

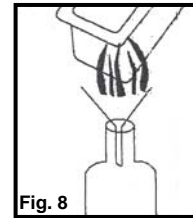


Fig. 8

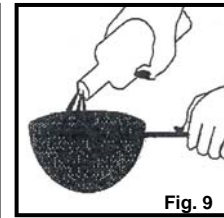


Fig. 9

Detachable Power Cord

Your deep fryer has been specifically designed with your safety in mind. Your deep fryer has incorporated a unique detachable power supply cord. This power supply cord is designed to "Break Away" from the fryer body in the event that the supply cord is inadvertently pulled. This is intended to prevent the tipping of the appliance and hazardous spillage of hot oil.

The female receptacle portion of the power supply cord is permanently attached to the rear of the the control panel.

To connect the male power cord plug to the female receptacle on the appliance, orient the male plug so that it mates with the female receptacle. The male plug can only be inserted one way. If the male plug will not go into the receptacle on the appliance, rotate the male plug 180°.

IMPORTANT: Should the male plug become detached from the appliance during use, it is important to:

1. Unplug the power cord from the wall outlet. (Fig. 10)
2. Turn off the appliance at the control panel.
3. Re-attach the power cord to the appliance.
4. Re-connect to electrical outlet.
5. Turn the appliance back on.

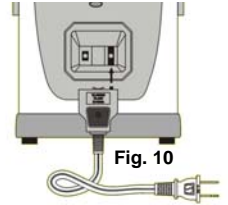


Fig. 10

Cleaning Instructions

Warning: Always remove the plug from the wall socket before cleaning. Allow the deep fryer and the oil to cool completely (approximately 2 hours) before cleaning. Never immerse the control panel, cord or plug in water or any other liquid.

- Follow the cleaning instructions on page 3.
- Never immerse the control panel, cord or plug in water or any other liquid.
- Do not place the control panel, cord or plug in the dishwasher.
- Clean the control panel only with a damp cloth.
- The oil container and frying baskets can be washed in the top rack of dishwasher.
- The deep fryer cover can also be washed in the dishwasher after you have removed the filter.
- The filter can be rinsed. **Do not** place in dishwasher.
- The body of the deep fryer can be washed in warm soapy water. **Do not** put the body of the deep fryer in the dishwasher.

How To Reset Deep Fryer

If for some reason your deep fryer stops heating, the reason might be that the safety reset switch has disconnected. To re-start the deep fryer, follow the instruction below:

- Using the back end of a pen, push the re-set button that is located on the back of the control panel. The deep fryer will beep to indicate that it has been re-set. (Fig. 11)

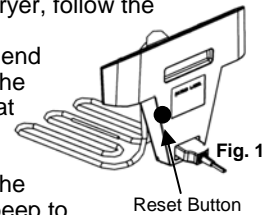


Fig. 11

Reset Button

ONE (1) YEAR LIMITED WARRANTY

EURO-PRO Operating LLC warrants this product to be free from defects in material and workmanship for a period of one (1) year from the date of purchase when utilized for normal household use.

If your appliance fails to operate properly while in use under normal household conditions within the warranty period, return the complete appliance and accessories, freight prepaid. For Customer Service support, call 1 (800) 798-7398 or visit our website www.euro-pro.com.

If the appliance is found by **EURO-PRO Operating LLC** to be defective in material or workmanship, **EURO-PRO Operating LLC** will repair or replace it free of charge. Proof of purchase date and \$18.95 to cover the cost of return shipping and handling must be included.*

The liability of **EURO-PRO Operating LLC** is limited solely to the cost of the repair or replacement of the unit at our option. This warranty does not cover normal wear of parts and does not apply to any unit that has been tampered with or used for commercial purposes. This limited warranty does not cover damage caused by misuse, abuse, negligent handling or damage due to faulty packaging or mishandling in transit.

This warranty is extended to the original purchaser of the unit and excludes all other legal and/or conventional warranties. The responsibility of **EURO-PRO Operating LLC**, if any, is limited to the specific obligations expressly assumed by it under the terms of the limited warranty. **In no event is EURO-PRO Operating LLC** liable for incidental or consequential damages of any nature whatsoever. Some states/provinces do not permit the exclusion or limitation of incidental or consequential damages, so the above may not apply to you.

This warranty gives you specific legal rights, and you may also have other rights which vary from state to state or province to province.

***IMPORTANT: Carefully pack item to avoid damage in shipping. Be sure to include proof of purchase date and to attach tag to item before packing with your name, complete address and phone number with a note giving purchase information, model number and what you believe is the problem with item. We recommend you insure the package (as damage in shipping is not covered by your warranty). Mark the outside of your package "ATTENTION CUSTOMER SERVICE". We are constantly trying to improve our products, therefore the specifications contained herein are subject to change without notice.**



OWNERSHIP REGISTRATION CARD FOR CANADIAN CONSUMERS ONLY

Please fill out and mail the product registration card within ten (10) days of purchase. The registration will enable us to contact you in the unlikely event of a product safety notification. By returning this card you acknowledge to have read and understood the instructions for use, and warnings set forth in the accompanying instructions.

RETURN TO **EURO-PRO OPERATING LLC**, 4400 Bois Franc, St Laurent, Qc, H4S 1A7

Model F1100B

Appliance model

Date purchased

Name of store

Owner's name

Address

City

Prov.

Postal Code

INSTRUCCIONES IMPORTANTES DE SEGURIDAD

Al usar aparatos eléctricos, siempre debe seguir precauciones básicas de seguridad, incluyendo las siguientes:


1. Lea todas las instrucciones de uso y vea todas las ilustraciones antes de utilizar este artefacto.
2. No toque las superficies calientes, use siempre las manijas o perillas.
3. Para evitar una descarga eléctrica, no sumerja el cable o el enchufe en agua o cualquier otro líquido.
4. Tenga mucho cuidado al utilizar cualquier aparato eléctrico cerca de niños.
5. Desenchúfelo del tomacorriente cuando no lo utilice y antes de limpiarlo. Deje que se enfríe antes de ponerle o quitarle partes, y antes de limpiarla.
6. No utilice ningún artefacto si el cable o el enchufe están dañados o luego de una falla, o si ha sufrido cualquier tipo de daño. Retórnala a **EURO-PRO Operating LLC** para que sea examinada, reparada o ajustada. Vea la garantía.
7. Nunca la enchufe antes de instalar el panel de control dentro del cuerpo de la freidora y de que el elemento calefactor esté dentro del recipiente del aceite.
8. Nunca llene de más la freidora con aceite. Llénela únicamente entre los niveles mínimo y máximo, indicados dentro del recipiente del aceite.
9. Asegúrese de que la manija se encuentre correctamente enganchada a la canasta y que esté trabada en su lugar. Vea las instrucciones detalladas de armado.
10. El uso de accesorios no recomendados por el fabricante puede ocasionar daños.
11. Siempre coloque primero el elemento calefactor en el artefacto, luego enchúfelo en el tomacorriente. Para desconectarla, desenchúfela del tomacorriente y deje que la unidad se enfríe completamente antes de quitar el elemento calefactor.
12. Debe tener mucho cuidado al mover un artefacto que contenga aceite u otros líquidos calientes.
13. No deje el artefacto desatendido mientras lo use.
14. No lo utilice en el exterior.
15. No permita que el cable cuelgue sobre el borde de la mesa o mesada, o que toque superficies calientes.
16. No lo coloque sobre o cerca de un quemador eléctrico o a gas, o dentro de un horno caliente.
17. No utilice el artefacto para ningún otro uso distinto al doméstico indicado.

INSTRUCCIONES ESPECIALES DE SEGURIDAD

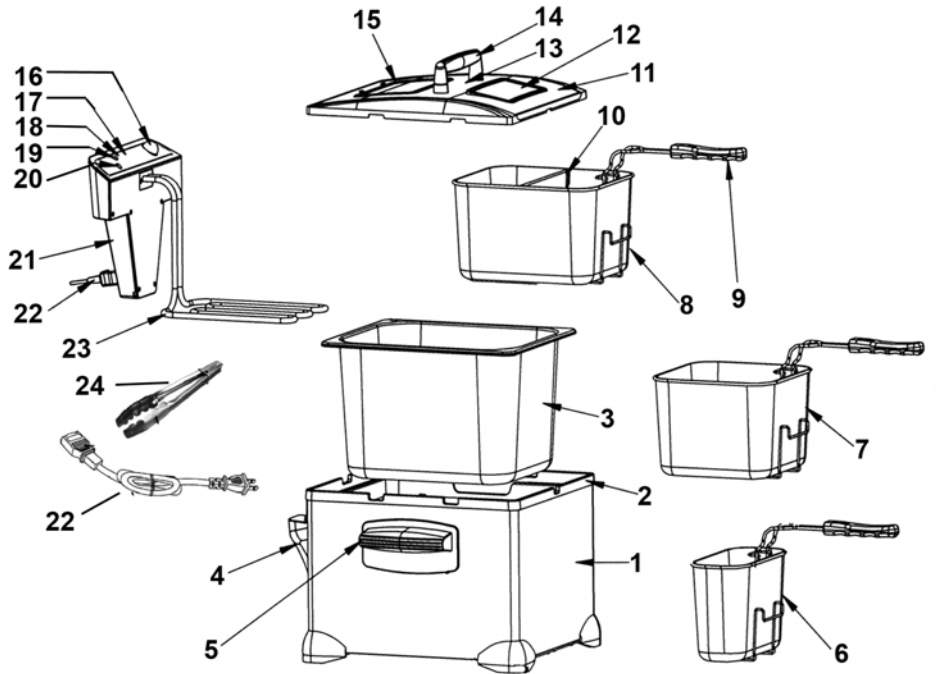
- Se suministra un cable de alimentación corto para reducir el riesgo de enredarse o tropezarse con un cable más largo. No se recomienda el uso de un prolongador (o cable removible más largo) con freidoras de inmersión.
- Nunca la enchufe antes de instalar el panel de control dentro del cuerpo de la freidora y de que el elemento calefactor esté dentro del recipiente del aceite.
- No sumerja el panel de control y el elemento calefactor en agua.
- Cuando abra la tapa luego de freír, destrábelo primero presionando la traba con sus dedos, luego espere un momento para permitir que salga el vapor antes de abrirla completamente.
- Para evitar la sobrecarga del circuito, no use otro artefacto de alto consumo en el mismo circuito.

ENCHUFE POLARIZADO

ADVERTENCIA: Para reducir el riesgo de una descarga eléctrica, este artefacto posee un enchufe polarizado (una pata es más ancha que la otra). Este enchufe entra completamente en un tomacorriente polarizado en una sola posición. De no ser así, inviértalo, y si aún así no entra completamente, llame a un electricista calificado para que instale un tomacorriente apropiado. No intente modificar el enchufe de ninguna manera.



CONSERVE ESTAS INSTRUCCIONES PARA USO DOMÉSTICO SOLAMENTE



- | | |
|---------------------------------------|---|
| 1. Cuerpo de la Freidora de Inmersión | 14. Mango de la Tapa |
| 2. Cubierta Intermedia | 15. Filtro Lavable (*no se muestra) |
| 3. Recipiente del Aceite | 16. Perilla de Tiempo/Temperatura |
| 4. Guías del Panel de Control | 17. Pantalla de Tiempo/Temperatura |
| 5. Mango | 18. Luz de Listo |
| 6. Canasta Freidora Chica (x2) | 19. Botón de Borrado |
| 7. Canasta Freidora Mediana | 20. Botón de Encendido |
| 8. Canasta Grande con Separador | 21. Panel de Control con Elemento Calefactor |
| 9. Mango para Canasta (x3) | 22. Cable Desmontable |
| 10. Separador para Canasta | 23. Elemento Calefactor |
| 11. Tapa de la Freidora | 24. Pinzas |
| 12. Ventana de Observación | 25. Botón de Reinicio del Termostato (*no se muestra) |
| 13. Placa del Mango de la Tapa | |

Especificaciones Técnicas

Voltaje: 120V., 60Hz.
 Potencia: 1500 Vatios
 Capacidad de Aceite: 8,4 Qts (8 Litros)

Nota: El dibujo puede no ser igual al producto real.

Lea todas las secciones de este manual y siga todas las instrucciones cuidadosamente.

Uso Inicial

Advertencia: Nunca conecte el cable de alimentación magnético a la unidad antes de colocar el panel de control dentro de la unidad y el elemento calefactor dentro del recipiente del aceite. No sumerja el panel de control, el elemento calefactor o el enchufe en agua.

Nota: Al desempacar la unidad, asegúrese de sacar el recipiente del aceite del cuerpo principal y de sacar el material de embalaje que hay entre el cuerpo principal y el recipiente.

Nota: Esta unidad no debe usarse para hervir agua.

Antes de Usarla por Primera Vez, Limpie Completamente la Unidad

Advertencia: Siempre deje que la freidora se enfríe completamente por 2 horas antes de desarmarla o limpiarla. Nunca transporte o mueva la freidora de inmersión con aceite caliente en su interior. Antes de limpiarla, asegúrese de que el cable esté desenchufado del tomacorriente.

- Todas las partes, excepto las eléctricas, pueden lavarse con agua tibia enjabonada. Séquelas bien antes de usarlas.
- Use siempre el mango para sacar la canasta freidora. Siempre verifique que el mango esté enganchado correctamente a la canasta freidora. Para enganchar el mango a la canasta, apriete los costados del mango para que entren dentro del soporte metálico de la canasta. Tire del mango hacia usted para que se enganche en su lugar. (Fig. 1)
- Levante el panel de control y quítelo de la unidad.
- Quite el recipiente del aceite.
- Limpie el recipiente del aceite y la canasta con agua caliente, detergente para lavavajillas u otro detergente no tóxico y una esponja no abrasiva.

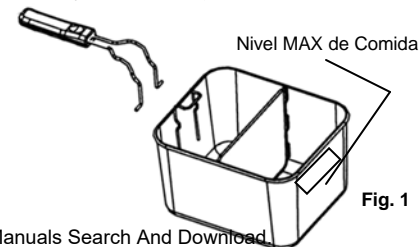


Fig. 1

Advertencia: Nunca sumerja el panel de control en agua o ningún otro líquido.

Advertencia: Todas las partes deben estar completamente secas antes de llenar la unidad con aceite y usarla. Tenga especial cuidado en verificar que el filtro de aceite lavable de la tapa esté completamente seco, de lo contrario no funcionará correctamente y puede hacer que se acumule vapor dentro de la freidora al usarla.

Advertencia: Nunca exceda la línea de "MAX" al llenar la freidora con alimentos.

Llenado del Recipiente del Aceite

Advertencia: Nunca enchufe la freidora antes de llenarla de aceite hasta el nivel indicado. Siempre asegúrese de que el panel de control esté colocado correctamente en su lugar y que el elemento calefactor esté dentro del aceite en el recipiente antes de enchufarla.

- Use aceite mezcla vegetal, aceite puro de maíz o aceite de canola. No use aceite de oliva, margarina, manteca o grasa de carne.
- Siempre debe mantener el nivel de aceite entre las marcas de nivel mínimo (12 tazas/2,8 litros) y máximo (8,4 tazas/8 litros) dentro del recipiente del aceite. Verifique el nivel de aceite antes de cada uso. Para obtener mejores resultados, mantenga el nivel de aceite cerca del máximo. (Fig. 2)
- Nunca mezcle aceites diferentes y grasas. No mezcle aceite nuevo y viejo.



Fig. 2

Uso de Grasa Sólida

Advertencia: No coloque mantequilla sólida en el recipiente del aceite o en la canasta.

- Si quiere usar mantequilla vegetal sólida, derrítala primero en otra sartén y luego viértala cuidadosamente dentro del recipiente del aceite.
- La mantequilla vegetal sólida usada que se haya cuajado y endurecido dentro del recipiente del aceite debe quitarse y derretirse en otra sartén antes de usarse nuevamente.

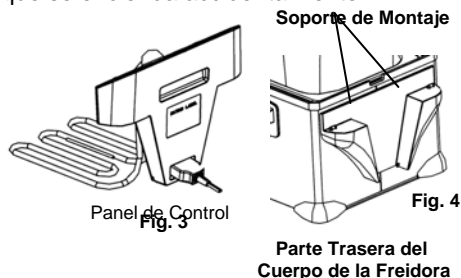
Advertencia: Si trata de fundir la grasa sólida en el recipiente del aceite, la grasa fundida de la parte de abajo del recipiente puede salpicar por encima de la capa sólida de la parte de arriba. Por lo tanto, use únicamente el siguiente procedimiento:

- Asegúrese de que la grasa se encuentre a temperatura ambiente. Si la grasa está muy fría, el riesgo de salpicaduras es mayor.
- Con un tenedor, haga algunos agujeros en la grasa. Asegúrese de que la tapa esté correctamente cerrada mientras derrite la grasa. Ajuste el control de temperatura a 320° F (160° C).

Instalación del Panel de Control con el Elemento Calefactor

- Levante el panel de control con el elemento calefactor. (Fig. 3)
- Inserte el panel de control dentro del soporte de montaje en el cuerpo de la freidora. (Fig. 4)

Nota: El interruptor de seguridad asegura que la unidad no funcionará a menos que el panel de control se haya instalado correctamente dentro del soporte de montaje en el cuerpo de la freidora. Esto no es una falla. Este producto está equipado con un interruptor de seguridad para evitar que se encienda accidentalmente.



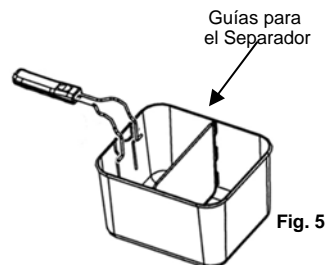
Uso de la Freidora de Inmersión

Advertencia: Nunca enchufe la freidora antes de llenarla de aceite hasta el nivel indicado. Siempre asegúrese de que el panel de control esté colocado correctamente en su lugar y que el elemento calefactor esté dentro del aceite en el recipiente antes de enchufarla.

Importante: Verifique que el panel de control esté colocado correctamente en la unidad principal, de lo contrario no funcionará. Esto no es una falla. Este producto está equipado con un interruptor de seguridad para evitar que se encienda accidentalmente.

Canastas Freidoras

- Usted puede optar entre tres tamaños diferentes de canastas de acuerdo a sus necesidades.
- Las canastas chica y mediana pueden usarse para porciones de comida.
- La canasta grande con separador puede usarse para freír dos comidas diferentes que necesiten la misma temperatura y tiempo de cocción al mismo tiempo o puede sacar el separador y freír cantidades más grandes. Asegúrese de que la canasta esté fría antes de sacar el separador.
- Coloque el separador en las guías de la canasta grande. (Fig. 5)



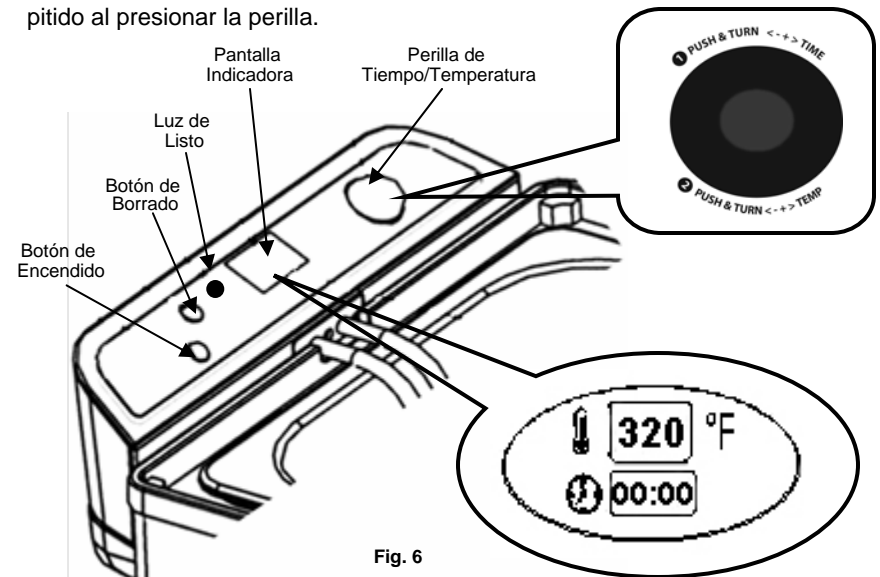
Pre calentamiento

Advertencia: Para evitar daños o quemaduras, nunca toque ninguna parte metálica de la freidora ya que pueden estar calientes.

- Asegúrese de que el nivel de aceite esté entre las marcas de nivel mínimo y máximo. No exceda la línea de MAX del recipiente del aceite al llenarlo.
- No debe colocar el canasto dentro del recipiente del aceite durante el pre calentamiento.
- Vuelva a colocar la tapa.
- Enchufe el artefacto en un tomacorriente de 120 voltios. La unidad emitirá un pitido y la luz de listo se encenderá en verde.
- Presione el botón de encendido (Fig. 6) y la unidad emitirá otro pitido. La línea superior de la pantalla indicadora mostrará 320° F y la línea inferior mostrará __: __ La luz de listo se pondrá roja.
- Temperatura: La temperatura se puede ajustar desde 155°F hasta 385°F en incrementos de 5°F. Si quiere aumentar la temperatura, presione la perilla, verifique que el indicador de temperatura parpadee y gire la perilla en sentido horario. La unidad emitirá un pitido al presionar la perilla.

Si quiere bajar la temperatura, presione y gire la perilla en sentido contra horario. La unidad emitirá nuevamente un pitido al presionar la perilla. La línea superior mostrará la temperatura seleccionada. La luz de listo permanecerá roja mientras el aceite se calienta hasta la temperatura deseada. (Fig. 6). Una vez que el aceite haya alcanzado la temperatura ajustada, la luz de listo se encenderá verde y comenzará a parpadear.

- Temporizador: El tiempo máximo del temporizador es de 15 minutos. Cuando encienda la freidora, la pantalla indicadora mostrará __: __. Esto significa que no se ha ingresado ningún tiempo. Puede ajustar el temporizador hasta un máximo de 15 minutos. Para ajustar el temporizador, presione la perilla, verifique que el indicador de tiempo parpadee y gire la perilla hasta alcanzar el tiempo deseado.
- Función de borrado: Si presiona el botón de borrado, la unidad volverá al ajuste inicial de fábrica. El ajuste inicial de temperatura es 320° F y el ajuste inicial del temporizador es __: __.



INSTRUCCIONES DE USO

Llenado de las Canastas

- Seleccione la canasta adecuada para el trabajo.
- No llene la canasta cuando esté inmersa en el aceite
- Coloque la comida en la canasta. No la llene de más y nunca sobrepase las cantidades máximas. Para mejores resultados y cocciones más rápidas, solo llene la canasta hasta la mitad.
- No llene la canasta por encima de la línea de máximo con alimentos congelados. (Fig. 7)

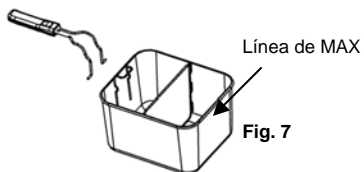


Fig. 7

Fritura de Alimentos

Nota: Al freír alimentos congelados como papas fritas, quite la canasta de la freidora antes de llenarla ya que el aceite puede salpicar y causar quemaduras. No debe llenar más de la mitad de la canasta. Quite todo el hielo de los alimentos congelados antes de freírlos. Si no lo hace puede causar que el aceite de la freidora se rebalse al colocar la comida en el aceite.

- Siempre utilice la canasta para freír alimentos.
- Al precalentar el aceite, la luz indicadora de "listo" comenzará a parpadear y se encenderá en verde indicando que se ha alcanzado la temperatura deseada.
- Descienda lentamente la canasta en el aceite caliente. Si desciende la canasta muy rápidamente puede hacer que el aceite se rebalse y salpique.
- Vuelva a colocar la tapa con cuidado.
- Es normal que salga vapor por los costados de la tapa al freír.
- Evite estar demasiado cerca de la freidora mientras esté funcionando.

Advertencia: Al abrir la tapa luego de freír, ábrala solo un poco y permita que salga el vapor antes de abrirla completamente. Mantenga la cara lejos de la unidad para evitar quemaduras por el vapor.

Advertencia: Al freír alimentos congelados como papas fritas, no debe llenar la canasta por encima de la línea de MAX.. Quite todo el hielo de los alimentos congelados antes de freírlos. El no hacerlo puede hacer que la freidora rebalse al colocar los alimentos en el aceite.

Advertencia: Al freír alimentos, siempre saque la canasta de la freidora antes de llenarla con alimentos congelados para evitar que salpique el aceite y cause quemaduras. Tenga cuidado especial al freír alimentos congelados.

- Presione el botón de encendido para apagar la unidad.
- La luz de listo permanecerá encendida cuando la unidad esté apagada.
- Desenchufe el cable de alimentación.
- Levante la tapa lentamente y permita que salga el vapor antes de sacar completamente la tapa.
- Levante la canasta freidora por el mango. Colóquela en el recipiente del aceite y permita que la comida se escurra por un minuto.
- Una vez que el aceite haya drenado de la canasta freidora, puede levantar la canasta y servir la comida.

Advertencia: Siempre deje enfriar completamente la freidora (aproximadamente 2 horas) antes de limpiarla o guardarla. Nunca transporte o mueva la freidora de inmersión con aceite caliente en su interior.

INSTRUCCIONES DE USO

Consejos Útiles

- Nunca mezcle aceites diferentes, o aceite nuevo y viejo.
- Reemplace el aceite a menudo. Por lo general, el aceite se contaminará más rápidamente al freír alimentos con mucha proteína, (como aves, carnes y pescado). Cuando el aceite se utilice principalmente para freír papas y se lo filtre luego de cada uso, puede llegar a usarse entre 8 y 10 veces, pero nunca use el mismo aceite por más de 6 meses.
- Siempre reemplace el aceite ni bien comienza a producir espuma al calentarlo, cuando se vuelve oscuro, cuando tenga olor o sabor rancio o cuando se vuelva espeso.
- Asegúrese de que los alimentos a freír estén secos.
- Quite el hielo de los alimentos congelados antes de freírlos. Enjuáguelos y séquelos completamente.
- Para que se cocinen parejo, los trozos deben ser del mismo tamaño y espesor.
- Las piezas más gruesas tardarán más en cocinarse.

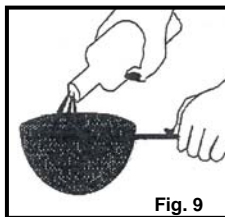
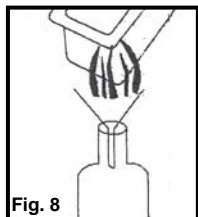
Ajuste de Temperatura

Los siguientes tiempos de cocción son los aproximados para freír una canasta llena hasta la mitad. Los tiempos exactos pueden variar, dependiendo de la cantidad, preferencias personales, tamaño y grosor de los trozos, etc.

Comida	Tiempo de Cocción	Temperatura
Papas Fritas	2-3 minutos	375°F
Filete de Pescado	3-4 minutos	320°F
Bastoncitos de Pollo	3-5 minutos	350°F
Trozos de Pollo	10-15 minutos	350°F
Calabacín Frito	2-3 minutos	375°F
Champiñones Fritos	3-4 minutos	375°F
Aros de Cebolla	2-3 minutos	320°F
Rosquillas	3-5 minutos	350°F
Beignet de Manzana	4 minutos	375°F
Camarones	2-3 minutos	320°F

Filtrado y Cambio del Aceite

- Asegúrese de que la freidora esté desconchada y que se haya enfriado completamente antes de limpiarla o guardarla.
- No hace falta cambiar el aceite después de cada uso. Por lo general, el aceite se contaminará más rápidamente al freír alimentos con mucha proteína, (como aves, carnes o pescado). Cuando el aceite se utilice principalmente para freír papas y se lo filtre luego de cada uso, puede llegar a usarse entre 8 y 10 veces. Sin embargo, nunca use el mismo aceite por más de seis (6) meses.
- Para filtrar el aceite, asegúrese de que el aceite se haya enfriado y luego vacíe el aceite en otro recipiente o botella. (Fig. 8) Lave y seque el recipiente del aceite y la canasta. Vuelva a llenar el recipiente del aceite con el aceite, haciéndolo pasar por un colador de alambre o un filtro de papel. (Fig. 9)



Cable de Alimentación Removible

Su freidora de inmersión ha sido diseñada específicamente para su seguridad. Su freidora de inmersión posee un cable de alimentación removible. Este cable de alimentación está diseñado para “desconectarse” del cuerpo de la freidora en caso de sufrir un tirón accidental. Esto evita que el artefacto se caiga y que se derrame el aceite caliente. El enchufe hembra del cable de alimentación está montado en la parte posterior del panel de control. Para conectar el enchufe macho del cable de alimentación al enchufe hembra del artefacto, haga coincidir la orientación de los enchufes. El enchufe macho puede enchufarse de una sola forma. Si no entra en el enchufe hembra, gírelo 180°.

IMPORTANTE: Si el enchufe macho se desconecta del artefacto mientras se lo está usando, es importante que:

1. Desenchufe el cable de alimentación del tomacorriente. (Fig. 10)
2. Apague el artefacto desde el panel de control.
3. Vuelva a enchufar el cable de alimentación al artefacto.
4. Vuelva a enchufar el cable al tomacorriente.
5. Vuelva a encender el artefacto.



Fig. 10

Instrucciones de Limpieza

Advertencia: Siempre desenchufe el cable del tomacorriente antes de limpiar la unidad. Permita que la freidora y el aceite se enfríen completamente (aproximadamente 2 horas) antes de limpiarla. Nunca sumerja el panel de control, cable o enchufe en agua o ningún otro líquido.

- Siga las instrucciones de limpieza de la página 12.
- Nunca sumerja el panel de control, cable o enchufe en agua o ningún otro líquido.
- No coloque el panel de control, cable o enchufe en el lavavajillas.
- Limpie el panel de control con un trapo húmedo.
- El recipiente del aceite y la canasta freidora pueden lavarse en la bandeja superior del lavavajillas.
- La cubierta de la freidora también puede lavarse en el lavavajillas después de que le haya sacado el filtro.
- El filtro se puede enjuagar. NO lo lave en el lavavajillas.
- El cuerpo de la freidora puede lavarse con agua tibia jabonosa. No coloque el cuerpo de la freidora en el lavavajillas.

Reinicio de la Freidora de Inmersión

Si la freidora de inmersión deja de calentar por cualquier motivo, puede haberse desconectado el interruptor automático de seguridad. Para volver a conectar la freidora, siga las instrucciones siguientes:

- Usando la parte de atrás de una lapicera, presione el botón de reinicio ubicado detrás del panel de control. La unidad emitirá un pitido para indicar que se ha reiniciado. (Fig. 11)



Fig. 11

GARANTIA LIMITADA DE UN (1) AÑO

EURO-PRO Operating LLC garantiza este producto contra defectos de materiales y mano de obra por un término de un (1) año a partir de la fecha de compra original, siempre que sea utilizado para uso doméstico normal, sujeto a las siguientes condiciones, exclusiones y excepciones.

Si su artefacto no funciona correctamente al utilizarlo bajo condiciones domésticas normales dentro del período de garantía, devuelva el artefacto completo y los accesorios, con envío prepagado. Para Servicio al Cliente, llame al 1 (800) 798-7398 o visite nuestro sitio Web www.euro-pro.com.

Si **EURO-PRO Operating LLC** determina que el artefacto presenta un defecto de materiales o mano de obra, lo reparará o reemplazará sin cargo. El envío debe incluir un comprobante de la fecha de compra y \$18.95 para cubrir los gastos de envío.*

La responsabilidad de **EURO-PRO Operating LLC** se limita únicamente al costo de reparación o reemplazo de la unidad, a nuestro criterio. Esta garantía no cubre el desgaste normal de las partes y no cubre ninguna unidad que haya sido alterada o utilizada con fines comerciales. Esta garantía limitada no cubre daños ocasionados por uso inadecuado, abuso, negligencia o daños causados por embalaje inapropiado o maltrato durante el transporte.

Esta garantía es válida para el comprador original del producto y excluye cualquier otra garantía legal y/o convencional. La responsabilidad de **EURO-PRO Operating LLC**, de existir, se limita a las obligaciones específicas asumidas expresamente bajo los términos de esta garantía limitada. Bajo ninguna circunstancia **EURO-PRO Operating LLC** será responsable por daños incidentales o indirectos de ninguna clase. Algunos estados no permiten la exclusión o limitación de daños consiguientes o incidentales, por lo tanto lo anterior puede no ser válido para usted.

Esta garantía le otorga derechos legales específicos, y usted puede también tener otros derechos los que varían de estado a estado.

***IMPORTANTE:** Embale el producto cuidadosamente para evitar daños durante el transporte. Asegúrese de incluir un comprobante de la fecha de compra y de colocarle una etiqueta al producto con su nombre, dirección completa y número de teléfono, una nota proporcionando información de la compra, número de modelo y una descripción del problema. Le recomendamos asegurar el paquete (puesto que la garantía no cubre daños de envío). Escriba en el exterior del paquete “ATTENTION CUSTOMER SERVICE”. Nosotros nos esforzamos constantemente en mejorar nuestros productos, por lo tanto las especificaciones aquí indicadas pueden cambiar sin previo aviso.



TARJETA DE REGISTRO DEL CLIENTE SÓLO PARA CLIENTES CANADIENSES

Complete y envíe la tarjeta de registro del producto dentro de los diez (10) días posteriores a la compra. El registro nos permitirá contactarnos con usted en caso de existir alguna notificación de seguridad con respecto al producto. Retornando esta tarjeta usted reconoce haber leído y entendido las instrucciones de uso y advertencias incluidas en estas instrucciones.

RETORNAR A **EURO-PRO Operating LLC**, 4400 Bois Franc, St. Laurent, QC, H4S 1A7

Modelo F1100B

Modelo del Artefacto

Fecha de compra

Nombre del Negocio

Nombre del Usuario

Dirección

Ciudad

Provincia

Código Postal

CONSIGNES DE SÉCURITÉ IMPORTANTES

Certaines consignes de sécurité de base doivent toujours être respectées lors de l'utilisation de votre appareil électrique, incluant:

1. Lisez attentivement toutes les instructions et consultez toutes les illustrations avant d'utiliser l'appareil.
2. Ne touchez pas aux surfaces chaudes, utilisez toujours les leviers ou poignées.
3. Pour éviter le risque de choc électrique, évitez d'immerger le cordon et la fiche dans l'eau ou autres liquides.
4. Une surveillance attentive est nécessaire lorsque tout appareil est utilisé par des enfants ou à proximité.
5. Débranchez lorsque vous ne l'utilisez pas et avant de le nettoyer. Laissez l'appareil refroidir avant de le nettoyer ou d'y insérer ou d'en retirer toute pièce ou avant de le nettoyer.
6. N'utilisez pas l'appareil si sa fiche ou son cordon sont endommagés, ou s'il a été échappé ou endommagé. Retournez l'appareil à **EURO-PRO Operating LLC** pour vérification, réparation ou réglage. Consultez la garantie.
7. Ne branchez jamais l'appareil avant d'installer le panneau de commande dans le corps de la friteuse et l'élément chauffant dans le récipient d'huile.
8. Ne remplissez jamais la friteuse d'huile à outrance. Remplacez seulement entre les niveaux minimal et maximal, tel qu'indiqué à l'intérieur du récipient d'huile.
9. Assurez-vous que le levier est correctement fixé au panier et verrouillé. Consultez les instructions d'assemblage détaillées.
10. L'utilisation d'accessoires non recommandés par le fabricant peuvent causer des blessures.
11. Insérez toujours l'élément chauffant en premier dans l'appareil, et branchez ensuite à la prise murale. Pour débrancher, retirez la fiche de la prise murale et attendez que l'appareil ait entièrement refroidi avant de retirer l'élément chauffant.
12. Soyez extrêmement prudent lorsque vous déplacez un appareil contenant de l'huile ou d'autres liquides chauds.
13. Ne laissez pas l'appareil sans surveillance pendant l'utilisation.
14. N'utilisez pas l'appareil à l'extérieur.
15. Ne laissez pas le cordon traîner sur le dessus d'une table ou d'un comptoir ou en contact avec des surfaces chaudes.
16. Ne placez pas l'appareil sur ou près d'un brûleur au gaz ou électrique ou d'un four chaud.
17. N'utilisez l'appareil qu'à ce pour quoi il a été conçu.

CONSIGNES DE SÉCURITÉ PARTICULIÈRES

- Cet appareil est doté d'un court cordon d'alimentation afin de réduire les risques de s'em mêler dans le cordon ou de trébucher. L'utilisation d'une rallonge ou d'un cordon détachable plus long n'est pas recommandé.
- Ne branchez jamais l'appareil avant d'installer le panneau de commande dans le corps de la friteuse et l'élément chauffant dans le récipient d'huile.
- N'immergez pas le panneau de commande ni l'élément chauffant.
- Lorsque vous ouvrez le couvercle après la friture, libérez-le d'abord en poussant le levier avec votre doigt et attendez que la vapeur s'échappe avant de l'ouvrir complètement.
- Afin d'éviter une surcharge électrique, n'utilisez pas un autre appareil à haute puissance sur le même circuit électrique.

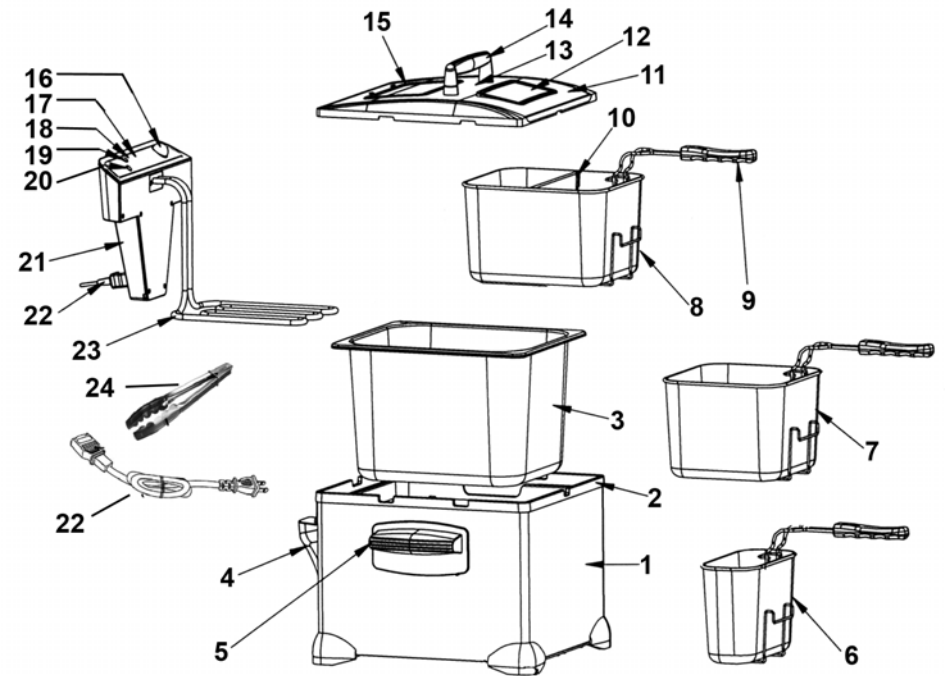
FICHE POLARISÉE



AVERTISSEMENT: Afin de réduire les risques d'électrocution, cet appareil est doté d'un cordon à fiche polarisée (une lame est plus large que l'autre). Cette fiche ne s'insère que dans un seul sens dans une prise polarisée. Si la fiche ne s'insère pas dans la prise, retournez la fiche. Si elle ne s'adapte toujours pas, contactez un électricien qualifié afin d'installer la prise appropriée. N'altérez la fiche d'aucune façon.

**CONSERVEZ CES INSTRUCTIONS
POUR USAGE DOMESTIQUE SEULEMENT**

FAMILIARISEZ-VOUS AVEC VOTRE FRITEUSE



1. Boîtier de la friteuse
2. Réceptacle central
3. Récipient d'huile
4. Rail-guide du panneau de commande
5. Poignée
6. Petit panier de friture (x2)
7. Moyen panier de friture
8. Grand panier de friture
9. Poignée de panier (x3)
10. Diviseur de panier
11. Couvercle de la friteuse
12. Hublot d'observation
13. Plaque de la poignée
14. Poignée du couvercle
15. Filtre lavable (*non illustré)
16. Bouton de minuterie/température
17. Affichage de minuterie/température
18. Témoin de fonctionnement
19. Bouton Effacer
20. Bouton d'alimentation
21. Panneau de commande avec élément chauffant
22. Cordon d'alimentation détachable
23. Élément chauffant
24. Pincettes
25. Bouton de réinitialisation du thermostat (*non illustré)

Spécifications techniques

Tension : 120 V, 60 Hz
Intensité : 1500 watts
Capacité : 8,4 pintes (8 litres)

Avertissement: Les illustrations peuvent différer de l'appareil lui-même.

Lisez toutes les sections de ce guide et suivez attentivement toutes les instructions.

Première utilisation

Avertissement: N'attachez jamais le cordon d'alimentation magnétique à l'appareil avant d'insérer le panneau de commande dans l'appareil et l'élément chauffant dans le récipient d'huile.

N'immergez pas le panneau de commande, le cordon ou la fiche.

Remarque: Lorsque vous déballez l'appareil, assurez-vous de retirer le récipient d'huile du boîtier de la friteuse et de retirer l'emballage qui se trouve entre le boîtier principal et le récipient.

Remarque: N'utilisez pas cet appareil pour faire bouillir de l'eau.

Nettoyez entièrement avant la première utilisation

Avertissement: Laissez toujours la friteuse refroidir complètement durant 2 heures avant de la démonter pour la nettoyer. Ne déplacez jamais la friteuse lorsqu'elle contient de l'huile chaude. Avant de nettoyer, assurez-vous que la fiche n'est branchée dans la prise murale.

- Tous les composants, à l'exception des pièces électriques, peuvent être lavés à l'eau savonneuse chaude. Séchez entièrement avant l'utilisation.
- Utilisez **toujours** la poignée pour retirer le panier à friture. Assurez-vous que la poignée est bien attachée au panier. Pour attacher la poignée au panier à friture, pincez ses extrémités ensemble pour les insérer dans la fourche de métal du panier. Tirez la poignée vers vous pour la bloquer en position. (Fig. 1)
- Levez le panneau de commande et retirez-le de l'appareil.
- Retirez le récipient d'huile.
- Nettoyez le récipient d'huile et le panier de friture à l'eau chaude, avec du détergent liquide ou autre détergent comestible et une éponge non abrasive.

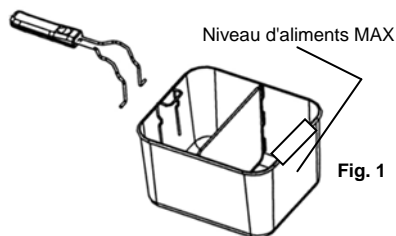


Fig. 1

Avertissement: N'immergez jamais le panneau de commande.

Mise en garde: Tous les composants doivent être entièrement secs avant de remplir la friteuse d'huile et de l'utiliser. Une attention particulière doit être portée afin de s'assurer que le filtre à huile lavable du couvercle est entièrement sec. Sans quoi, le filtre ne fonctionnera pas correctement et la vapeur pourrait demeurer dans la friteuse en fonction.

Avertissement: Ne dépassez jamais la ligne « MAX » lorsque vous remplissez le panier d'aliments.

Remplissage du récipient d'huile

Avertissement: Ne branchez jamais la friteuse avant de la remplir d'huile au niveau indiqué. Assurez-vous que le panneau de commande est bien installé dans le corps de la friteuse et l'élément chauffant dans le récipient d'huile avant de brancher la friteuse.

- Utilisez les mélanges d'huile végétale, l'huile de maïs pure ou l'huile de canola. N'utilisez pas d'huile d'olive, de margarine, lard ou gras.
- Le niveau d'huile doit toujours se situer entre les niveaux minimal (12 tasses/2,8 litres) et maximal (8,4 pintes / 8 litres) indiqués dans le récipient d'huile. Vérifiez le niveau d'huile avant chaque utilisation. Pour de meilleurs résultats, maintenez le niveau d'huile près du maximum. (Fig. 2)
- Ne mélangez jamais d'huiles et de gras. Ne mélangez pas de l'huile neuve avec de l'huile usagée.

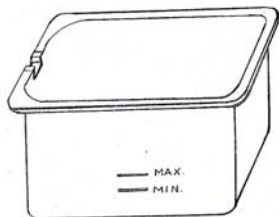


Fig. 2

Utilisation de gras solides

Avertissement: Ne mettez pas de shortening dans le récipient d'huile ou le panier.

- Si vous utilisez un shortening végétal solide, faites-le d'abord fondre dans une poêle séparée, et versez-le ensuite prudemment dans le récipient d'huile.
- Le shortening végétal solide usagé qui a durci dans le récipient d'huile doit en être retiré et fondu dans une poêle séparée avant réutilisation.

Avertissement: Faire fondre du gras solide dans le récipient d'huile entraîne des risques que le gras fondu s'échappe soudainement sous la base de gras toujours solide. Procédez comme suit :

- Assurez-vous que le gras est à température pièce. Plus le gras est froid, plus grand le risque d'éclaboussures.
- À l'aide d'une fourchette, percez des trous dans le gras. Assurez-vous que le couvercle est fermé pendant la fonte du gras. Réglez la température à 320°F (160° C).

Installation du « panneau de commande avec élément chauffant »

- Levez le panneau de commande avec l'élément chauffant. (Fig. 3)
- Insérez le panneau de commande dans le cran de montage du boîtier de la friteuse. (Fig. 4)

Remarque: Le commutateur de sécurité automatique garantit que l'appareil ne fonctionnera pas à moins que le panneau de commande ne soit correctement installé dans le cran de montage du boîtier de la friteuse. Ceci n'est pas une défécuosité. Ce produit est doté d'un commutateur de sécurité qui empêche que l'appareil fonctionne accidentellement.

Cran de montage



Fig. 3

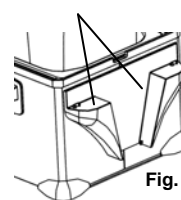


Fig. 4

Arrière du boîtier de la friteuse

Utilisation de votre friteuse

Avertissement: Ne branchez jamais la friteuse avant de la remplir d'huile au niveau indiqué. Assurez-vous que le panneau de commande est bien installé dans le corps de la friteuse et l'élément chauffant dans le récipient d'huile avant de brancher la friteuse.

Important: Assurez-vous que le panneau de commande est bien positionné dans l'appareil, sinon il ne fonctionnera pas. Ceci n'est pas une défécuosité. Ce produit est doté d'un commutateur de sécurité qui empêche que l'appareil fonctionne accidentellement.

Paniers de friture

- Vous avez le choix entre trois différentes tailles de paniers à friture.
- Les petit et moyen paniers conviennent à des portions appropriées.
- Le grand panier divisé convient à la friture en même temps de deux aliments différents qui nécessitent la même température. Vous pouvez aussi faire frire de plus grandes quantités en retirant le diviseur. Assurez-vous que le panier est refroidi avant de retirer le diviseur.
- Placez le diviseur dans les rails guide du grand panier. (Fig. 5)

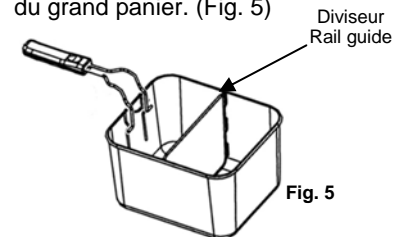


Fig. 5

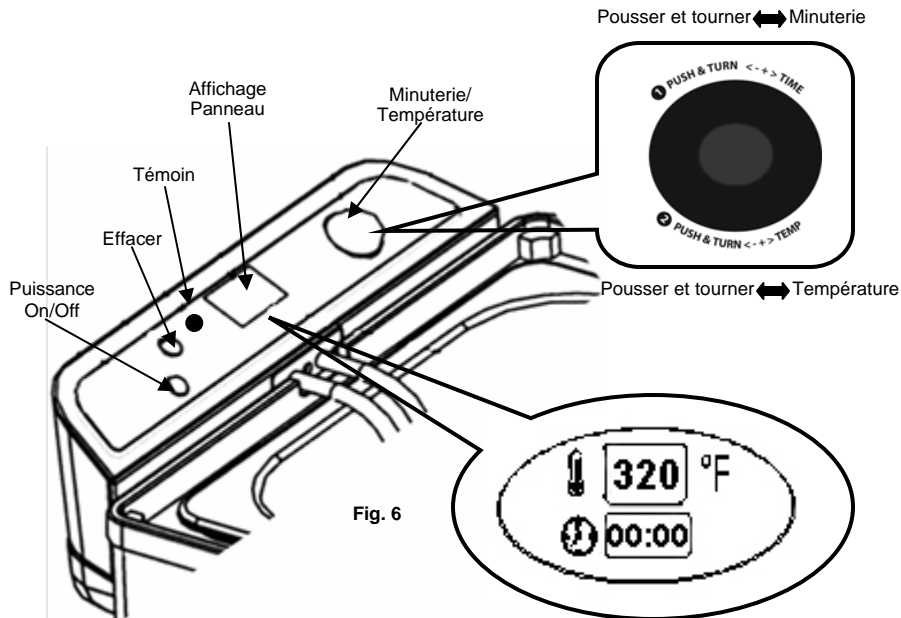
Préchauffage

Avertissement: Afin d'éviter les blessures ou brûlures, ne touchez jamais les pièces de métal de la friteuse : elles pourraient être chaudes.

- Assurez-vous que le niveau d'huile dans le récipient se situe entre les lignes « MIN » et « MAX ». **Ne dépassez pas** la ligne « MAX » du récipient d'huile lorsque vous le remplissez.
- Le panier ne doit pas être immergé dans l'huile durant le préchauffage.
- Remettez bien le couvercle sur la friteuse.
- Branchez l'appareil dans une prise de 120 volts. L'appareil émet un son et le témoin d'alimentation s'allume vert.
- Appuyez sur le bouton d'alimentation (Fig. 6). L'appareil émet un autre son. L'écran supérieur indique 320°F et l'écran inférieur indique __:__. Le témoin d'alimentation devient rouge.
- Température : La température se règle par intervalles de 5°F, de 155°F à 385°F. Pour augmenter la température, appuyez sur le bouton et tournez-le dans le sens horaire.

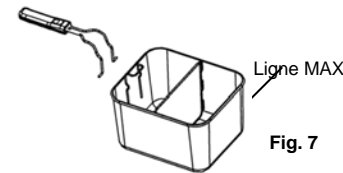
Le témoin clignote. Tournez le bouton dans le sens horaire. Lorsque vous appuyez sur le bouton, l'appareil émet un son. Pour abaisser la température, appuyez sur le bouton et tournez-le dans le sens antihoraire. Lorsque vous appuyez sur le bouton, l'appareil émet un autre son. L'écran supérieur affiche la température sélectionnée. Le témoin demeure rouge pendant que l'huile chauffe à la température désirée. (Fig. 6) Lorsque la température pré réglée est atteinte, le témoin passe de nouveau au vert et clignote.

- Minuterie : La durée maximale de la minuterie est 15 minutes. À l'allumage, l'écran d'affichage indique __:__. Ceci signifie que la minuterie n'est pas réglée. Vous pouvez la régler à un maximum de 15 minutes. Pour régler la minuterie, appuyez sur le bouton, assurez-vous que le témoin clignote et tournez le bouton jusqu'à la durée désirée.
- Fonction Effacer : Lorsque vous appuyez sur le bouton Effacer, l'appareil revient en mode par défaut. La température par défaut est 320°F et la durée par défaut est __:__.



Remplissage des paniers à friture

- Choisissez le panier de friture convenant à la tâche.
- Ne faites pas déborder le panier lorsqu'il est dans l'huile.
- Placez les aliments dans le panier. Ne le remplissez pas trop et ne dépassez pas les quantités maximales. Pour de meilleurs résultats et une durée de friture minimale, le panier ne devrait être rempli qu'à moitié.
- Ne remplissez pas le panier d'aliments surgelés au-delà de la ligne **MAX**. (Fig. 7)



Friture des aliments

Avertissement: Retirez le panier de la friteuse avant d'y mettre des aliments surgelés tels que les frites : des éclaboussures d'huile pourraient causer des brûlures. Ne remplissez pas le panier à frire à plus de sa moitié. Éliminez la glace des produits surgelés avant de frire. Sans quoi, la friteuse pourrait déborder lorsque les aliments descendent dans l'huile.

- Utilisez toujours le panier à friture pour la friture d'aliments.
- Lorsque l'huile est préchauffée, le témoin s'allume lorsque la température désirée est atteinte.
- Abaissez lentement le panier dans l'huile chaude. Abaisser le panier à friture trop rapidement peut faire déborder l'huile et causer des éclaboussures.
- Remettez bien le couvercle sur la friteuse.
- Il est normal que de la vapeur s'échappe des côtés du couvercle pendant la friture.
- Ne demeurez pas trop près de la friteuse en fonction.

Avertissement: Lorsque vous ouvrez le couvercle après la friture, levez-le légèrement et attendez que la vapeur s'échappe avant de le retirer complètement. Gardez votre visage à l'abri des vapeurs qui s'échappent de la friteuse afin d'éviter les brûlures.

Mise en garde: Ne remplissez jamais le panier plus qu'à la ligne MAX d'aliments surgelés tels les frites. Éliminez la glace des produits surgelés avant de frire. Sans quoi, la friteuse pourrait déborder lorsque les aliments descendent dans l'huile.

Avertissement: Lors de la friture, retirez **toujours** le panier de la friteuse avant d'y mettre des aliments surgelés : des éclaboussures d'huile pourraient causer des brûlures. Soyez particulièrement prudent lorsque vous faites frire des aliments surgelés.

- Appuyez sur le bouton On/Off afin d'éteindre l'appareil.
- Le témoin demeure allumé lorsque l'appareil est en éteint (« Off »).
- Débranchez le cordon principale de la prise électrique.
- Soulevez doucement le couvercle et attendez que la vapeur s'échappe avant de le retirer complètement.
- Soulevez le panier par sa poignée. Placez-le sur le récipient d'huile et laissez la nourriture s'égoutter une minute.
- Une fois l'huile égoutté du panier, il peut être soulevé et la nourriture servie.

Avertissement: Laissez toujours la friteuse refroidir complètement durant 2 heures avant de la nettoyer ou la ranger. Ne déplacez jamais la friteuse lorsqu'elle contient de l'huile chaude.

Trucs de friture

- Ne mélangez pas des huiles différentes ou de l'huile neuve avec de l'huile usagée.
- Remplacez l'huile régulièrement. En règle générale, l'huile sera rapidement contaminée par la friture d'aliments à haute teneur en protéine, tels que le poulet, la viande ou le poisson. Lorsque l'huile est utilisée principalement pour les pommes de terre frites et qu'elle est filtrée après chaque utilisation, elle peut être réutilisée de 8 à 10 fois, mais pendant moins de 6 mois.
- Remplacez toujours l'huile si elle écume lorsque chauffée, si elle noircit, ou lorsqu'elle dégage une odeur ou un goût âcres, ou qu'elle devient sirupeuse.
- Assurez-vous que la nourriture est sèche.
- Éliminez la glace des produits surgelés avant de frire. Rincez et asséchez en tapotant.
- Les morceaux devraient être de même taille et épaisseur pour une cuisson égale.
- Les morceaux plus épais prennent plus de temps.

Réglage de la température

Les durées de cuisson conviennent à la durée de friture d'un panier à moitié plein. La durée exacte dépend de la quantité réelle, de vos choix culinaires personnels, de la taille et de l'épaisseur des morceaux, etc.

Aliment	Temps de cuisson	Température
Pommes de terre frites	2-3 minutes	375°F
Filets de poisson	3-4 minutes	320°F
Filets de poulet	3-5 minutes	350°F
Morceaux de poulet	10-15 minutes	350°F
Zucchini frits	2-3 minutes	375°F
Champignons frits	3-4 minutes	375°F
Rondelles d'oignon	2-3 minutes	320°F
Beignes	3-5 minutes	350°F
Chaussons aux	4 minutes	375°F
Crevettes	2-3 minutes	320°F

Filtrage et changement d'huile

- Assurez-vous que la friteuse est débranchée et que son huile est froide avant de la nettoyer ou de la ranger.
- Il n'est pas nécessaire de changer l'huile après chaque utilisation. En règle générale, l'huile sera rapidement contaminée par la friture d'aliments à haute teneur en protéine, tels que le poulet, la viande ou le poisson. Lorsque l'huile est utilisée principalement pour les pommes de terre frites et qu'elle est filtrée après chaque utilisation, elle peut être réutilisée de 8 à 10 fois. Cependant, n'utilisez pas la même huile pour des périodes de plus de six (6) mois.
- Avant de filtrer l'huile, assurez-vous qu'elle est refroidie. Videz l'huile du récipient d'huile dans un autre contenant ou bouteille (Fig. 8). Lavez et séchez le récipient d'huile et le panier. Remplissez le récipient d'huile en vidant l'huile à travers un tamis ou un filtre de papier (Fig. 9).

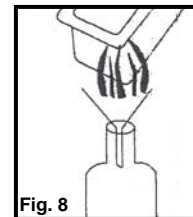


Fig. 8

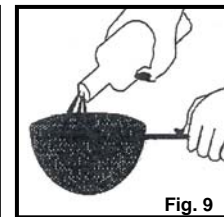


Fig. 9

Cordon d'alimentation détachable

Votre friteuse est conçue spécialement pour votre sécurité. Cette friteuse est dotée d'un cordon d'alimentation détachable unique. Ce cordon d'alimentation est conçu pour se « détacher » de la friteuse s'il est tiré par inadvertance. Ceci empêche l'appareil de tomber et de renverser son huile, ce qui pourrait être très dangereux.

Le réceptacle femelle du cordon d'alimentation est attaché de façon permanente à l'arrière du panneau de commande. Pour brancher la fiche mâle du cordon d'alimentation à l'appareil, orientez-la de façon à la faire entrer dans le réceptacle femelle. La fiche mâle ne peut être insérée que dans un sens. Si la fiche mâle n'entre pas dans le réceptacle de l'appareil, tournez-la à 180°.

IMPORTANT: Si la fiche mâle se détache de l'appareil en fonction :

1. Débranchez le cordon d'alimentation de la prise murale. (Fig. 10)
2. Éteignez l'appareil à partir du panneau de commande.
3. Rattachez le cordon d'alimentation à l'appareil.
4. Rebranchez l'appareil à la prise murale.
5. Remettez l'appareil en marche.



Fig. 10

Instructions de nettoyage

Avertissement: Retirez toujours la fiche de la prise murale avant le nettoyage. Laissez la friteuse et l'huile refroidir complètement (environ 2 heures) avant le nettoyage. N'immergez jamais le panneau de commande, le cordon ou la fiche.

- Suivez les directives de nettoyage à la page 21.
- N'immergez jamais le panneau de commande, le cordon ou la fiche.
- Ne mettez pas le panneau de commande, le cordon ou la fiche dans le lave-vaisselle.
- Nettoyez le panneau de commande à l'aide d'un linge humide.
- Le récipient d'huile et le panier peuvent être lavés dans le panier supérieur du lave-vaisselle.
- Le couvercle de la friteuse peut aussi être lavé au lave-vaisselle une fois le filtre retiré.
- Le filtre peut être rincé. **Ne le lavez pas** au lave-vaisselle.
- Le corps de la friteuse peut être lavé dans de l'eau chaude savonneuse. **Ne mettez pas** le corps de la friteuse dans le lave-vaisselle.

Réinitialisation de la friteuse

Si, pour quelque raison, la friteuse cesse de chauffer, vérifiez si le commutateur de réinitialisation de sécurité a été débranché. Pour redémarrer la friteuse, suivez les instructions suivantes:

- À l'aide de l'extrémité d'un stylet, poussez sur le bouton de réinitialisation situé à l'arrière du panneau de commande. L'appareil émettra un son pour indiquer qu'il est réinitialisé. (Fig. 11)



Bouton de réinitialisation
Fig. 11

GARANTIE LIMITÉE DE UN (1) AN

EURO-PRO Operating LLC garantit ce produit contre toute défectuosité matérielle ou de main-d'œuvre pour une période de un (1) an à compter de la date d'achat, dans le cadre d'une utilisation domestique normale.

Si votre appareil ne fonctionne pas correctement pendant la période de garantie de un (1) an, retournez-le avec ses accessoires, frais de port prépayé. Pour rejoindre le service à la clientèle, téléphonez au 1 (866) 826-6941 ou visitez notre site Web : www.euro-pro.com.

Si **EURO-PRO Operating LLC** constate que l'appareil comporte une défectuosité matérielle ou de main-d'œuvre, elle le réparera ou le remplacera sans frais de votre part. Une preuve d'achat indiquant la date d'achat et un montant de 18,95 \$ pour les frais de port et de manutention de l'envoi de retour doivent être inclus.

La responsabilité de **EURO-PRO Operating LLC** ne se limite qu'au coût des pièces de rechange ou de l'appareil, à notre discrétion. Cette garantie ne couvre pas l'usure normale des pièces et ne couvre pas les appareils altérés ou utilisés à des fins commerciales. Cette garantie limitée exclut les dommages causés par le mésusage, l'abus, la manipulation négligente ainsi que par une manutention en transit ou un emballage inadéquats.

Cette garantie couvre l'acheteur initial du produit et exclut toute autre garantie juridique ou conventionnelle. Le cas échéant, **EURO-PRO Operating LLC**, n'est tenue qu'aux obligations spécifiques assumées par elle de façon expresse en vertu des conditions de cette garantie limitée. **En aucun cas EURO-PRO Operating LLC** ne sera-t-elle tenue responsable de dommages indirects de quelque nature que ce soit. Certains états ou provinces n'autorisent pas l'exclusion ou la limitation des dommages indirects. Ainsi, la disposition ci-devant pourrait ne pas s'appliquer à vous.

Cette garantie vous confère des droits juridiques précis pouvant varier d'un état ou d'une province à l'autre.

***IMPORTANT: Emballez soigneusement l'appareil afin d'éviter tout dommage durant le transport. Avant d'emballer l'appareil, assurez-vous d'y apposer une étiquette portant vos nom, adresse complète et numéro de téléphone ainsi qu'une note précisant les détails de l'achat, le modèle et le problème éprouvé par l'appareil. Nous vous recommandons d'assurer votre colis (les dommages survenus durant le transport ne sont pas couverts par la garantie). Indiquez « AUX SOINS DU SERVICE À LA CLIENTÈLE » sur l'emballage extérieur. Comme nous nous efforçons en tout temps d'améliorer nos produits, les spécifications décrites dans ce guide sont sujettes à changement sans préavis.**



**FICHE D'ENREGISTREMENT DU PROPRIÉTAIRE
CONSOMMATEURS CANADIENS SEULEMENT**

Veuillez remplir cette fiche d'enregistrement et la poster dans les dix (10) jours suivant l'achat. L'enregistrement nous permettra de communiquer avec vous en cas d'avis sur la sécurité du produit. En nous retournant cette fiche, vous convenez avoir lu et compris les consignes d'utilisation et les avertissements qui les accompagnent.

RETOURNEZ À : EURO-PRO Operating LLC, 4400 Bois Franc, St Laurent, QC, H4S 1A7

Modèle F1100B

Modèle de l'appareil

Date d'achat

Nom du détaillant

Nom du propriétaire

Adresse

Ville

Prov.

Code Postal

Free Manuals Download Website

<http://myh66.com>

<http://usermanuals.us>

<http://www.somanuals.com>

<http://www.4manuals.cc>

<http://www.manual-lib.com>

<http://www.404manual.com>

<http://www.luxmanual.com>

<http://aubethermostatmanual.com>

Golf course search by state

<http://golfingnear.com>

Email search by domain

<http://emailbydomain.com>

Auto manuals search

<http://auto.somanuals.com>

TV manuals search

<http://tv.somanuals.com>