

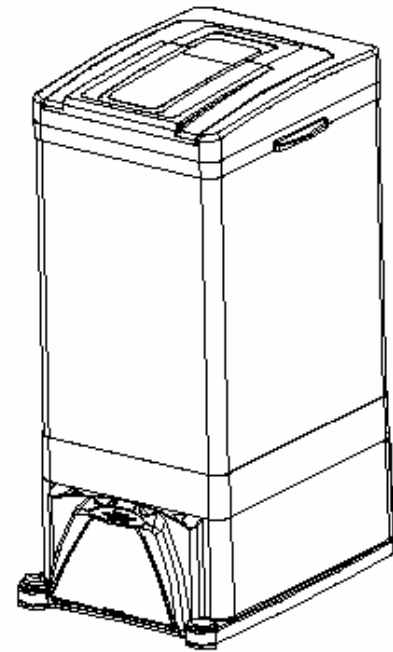
EURO-PRO

GARBAGE CAN & CENTRAL VAC SYSTEM

OWNER'S MANUAL

Model: GC130HS

120 V. 60 Hz., 12 Amps.



EURO-PRO Operating LLC

U.S.: 94 Main Mill Street, Door 16
Plattsburgh, NY 12901

Canada: 4400 Bois-Franc
St-Laurent, QC H4S 1A7

Tel. : 1 (800) 798-7398



ONE (1) YEAR LIMITED WARRANTY

EURO-PRO Operating LLC warrants this product to be free from defects in material and workmanship for a period of one (1) year from the date of the original purchase, when utilized for normal household use, subject to the following conditions, exclusions and exceptions.

If your appliance fails to operate properly while in use under normal household conditions within the warranty period, return the complete appliance and accessories, freight prepaid to:

US.: **EURO-PRO Operating LLC**, 94 Main Mill Street, Door 16, Plattsburgh, NY 12901

If the appliance is found to be defective in material or workmanship, **EURO-PRO Operating LLC** will repair or replace it free of charge. Proof of purchase date must be included. *

Non-durable parts including, without limitation, those which normally require replacement are specifically excluded from warranty.

The liability of **EURO-PRO Operating LLC** is limited solely to the cost of the repair or replacement of the unit at our option. This warranty does not cover normal wear of parts and does not apply to any unit that has been tampered with or used for commercial purposes. This limited warranty does not cover damage caused by misuse, abuse, negligent handling or damage due to faulty packaging or mishandling in transit. This warranty does not cover damage or defects caused by or resulting from damages from shipping or repairs, service or alterations to the product or any of its parts, which have been performed by a repair person not authorized by **EURO-PRO Operating LLC**.

This warranty is extended to the original purchaser of the unit and excludes all other legal and/or conventional warranties. The responsibility of **EURO-PRO Operating LLC** if any, is limited to the specific obligations expressly assumed by it under the terms of the limited warranty. **In no event** is **EURO-PRO Operating LLC** liable for incidental or consequential damages of any nature whatsoever. Some states/provinces do not permit the exclusion or limitation of incidental or consequential damages, so the above may not apply to you.

This warranty gives you specific legal rights, and you may also have other rights which vary from state to state or province to province.

***Important: Carefully pack item to avoid damage in shipping. Be sure to include proof of purchase date and to attach tag to item before packing with your name, complete address and phone number with a note giving purchase information, model number and what you believe is the problem with item. We recommend you insure the package (as damage in shipping is not covered by your warranty). Mark the outside of your package "ATTENTION CUSTOMER SERVICE". We are constantly striving to improve our products, therefore the specifications contained herein are subject to change without notice.**



OWNERSHIP REGISTRATION CARD

Please fill out and mail the product registration card within ten (10) days of purchase. The registration will enable us to contact you in the unlikely event of a product safety notification. By returning this card you acknowledge to have read and understood the instructions for use, and warnings set forth in the accompanying instructions. **RETURN TO:**

EURO-PRO Operating LLC, 94 MAIN MILL STREET, DOOR 16, PLATTSBURGH, NY 12901

Model GC130HS

Appliance model

Date purchased

Name of store

Owner's name

Address

City

State

Zip Code

Troubleshooting

PROBLEM	POSSIBLE REASON	POSSIBLE SOLUTION
VACUUM WILL NOT OPERATE	<ol style="list-style-type: none"> 1. Power cord not firmly plugged into outlet. 2. No power in wall outlet. 3. Needs servicing. 4. Thermostat has tripped. 	<ol style="list-style-type: none"> 1. Plug unit in firmly. 2. Check fuse or breaker. Replace fuse/reset breaker. 3. Call 1 (800) 798-7398. 4. Turn the unit off and unplug from outlet. Allow unit to cool down, then restart.
VACUUM WILL NOT PICK UP OR SUCTION POWER IS WEAK	<ol style="list-style-type: none"> 1. Vacuum dust bag is full. 2. Unit clogged. 3. Filter needs cleaning or replacing. 	<ol style="list-style-type: none"> 1. Replace vacuum dust bag. 2. Turn unit off and unplug from wall outlet. Remove vacuum bag filter and check for object(s) in dust inlet and remove. 3. Clean or replace filter.
TURBO BRUSH DOES NOT ROTATE OR ROTATES SLOWLY	<ol style="list-style-type: none"> 1. Dust cup is full. 2. Rotating brush or elbow is obstructed. 3. Belt is broken. 4. Hose obstructed. 5. Filters need cleaning. 	<ol style="list-style-type: none"> 1. Empty dust cup. 2. Clear obstruction(s). 3. Call 1 (800) 798-7398. 4. Clear obstruction(s). 5. Clean filters.
DUST ESCAPING FROM VACUUM	<ol style="list-style-type: none"> 1. Vacuum dust bag is full. 2. Vacuum dust bag is not installed correctly. 	<ol style="list-style-type: none"> 1. Replace vacuum dust bag. 2. Review vacuum dust bag instructions.
VACUUM HOSE OR BRUSHES WILL NOT PICK-UP	<ol style="list-style-type: none"> 1. Hose clogged. 2. Vacuum dust bag is full. 	<ol style="list-style-type: none"> 1. Remove hose and/or brushes. Remove obstruction from hose and/or brushes. 2. Replace vacuum dust bag.

To Order Replacement Filters and Bags

REPLACEMENT FILTERS AND BAGS

For Model: GC130HS

Item # XGC130H

(2 Pre-Motor Filters, 2 HEPA-Type Filters, 6 Vacuum Dust Bags)

To order replacement filters and bags please call

EURO-PRO customer service:

1 (800) 798-7398

IMPORTANT SAFETY INSTRUCTIONS

When using your **Garbage Can & Central Vac System**, basic safety precautions should always be observed, including the following:

- **READ ALL INSTRUCTIONS BEFORE USING THIS APPLIANCE**
- **ALWAYS FOLLOW THESE SAFETY INSTRUCTIONS**
- **DO NOT LEAVE CLEANER UNATTENDED**
- **DO NOT USE APPLIANCE FOR OTHER THAN ITS INTENDED USE**
- **WARNING: FULLY ASSEMBLE CLEANER BEFORE OPERATING**

1. **Do not** leave garbage can when it is plugged in. Unplug from outlet when not in use and before removing filters and dust bag.
2. To reduce the risk of electric shock **do not** use outdoors or on wet surfaces.
3. **Do not** allow children to use as a toy. Close attention is necessary when used by or near children.
4. Use only as described in this manual. Use only manufacturer's recommended attachments.
5. **Do not** use with damaged cord or plug. **Do not** use vacuum cleaner if it has been dropped, damaged, left outdoors, or dropped into water. Instead, return it to **EURO-PRO Operating LLC** for inspection.
6. **Do not** pull or carry it by its cord. **Do not** use the cord as a handle, close a door on cord, or pull cord around sharp edges or corners. **Do not** run appliance over cord. Keep cord away from heater surfaces.
7. **Do not** unplug by pulling on cord. To unplug, grasp the plug, not the cord.
8. **Do not** use the garbage can to pick up large objects or objects that are likely to damage the garbage can.
9. Keep hair, loose clothing, fingers, feet and all parts of body away from openings, rotating agitator and other moving parts.
10. **Do not** pick up hot coals, cigarette butts, matches or any hot, smoking, or burning objects.
11. **Do not** pick up hard or sharp objects such as glass, nails, etc.
12. **Do not** use without dust bag and/or filter in place.
13. Turn off all controls before plugging or unplugging vacuum cleaner into electrical outlet.
14. Use extra care when cleaning on stairs.
15. **Do not** pick up flammable or combustible materials (lighter fluid, gasoline, kerosene, etc.) or use in the presence of explosive liquids or vapor.
16. **Do not** pick up toxic material (chlorine bleach, ammonia, drain cleaner, etc.).
17. **Do not** use in an enclosed space filled with vapors given off by oil based paints, paint thinner, moth proofing substances, flammable dust, or other explosive or toxic vapors.
18. Use only on dry, indoor surfaces.
19. **Do not** use for any purpose other than described in this owner's manual.
20. **Do not** put any objects into openings. **Do not** use with any opening blocked. Keep free of dust, lint, hair and anything else that may reduce air flow.
21. Store your appliance in a cool, dry area.
22. Keep your work area well lit.
23. **Do not** immerse the vacuum into water or liquids.
24. Keep end of hose, wands and other opening, away from your face and body.
25. To avoid damaging the carpet, keep the vacuum cleaner head moving at all times.

WARNING: The power cord on this product contains lead, a chemical known to the State of California to cause birth defects or other reproductive harm. *Wash hands after handling.*

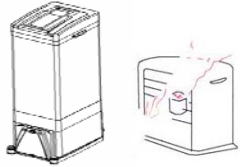
SAVE THESE INSTRUCTIONS For Household Use Only

WARNING: To reduce the risk of electric shock, this appliance has a polarized plug (one blade is wider than the other). This plug will fit in a polarized outlet only one way. If the plug is not fit fully in the outlet, reverse the plug. If it still does not fit, contact a qualified electrician to install the proper outlet. **Do not modify the plug in any way.**

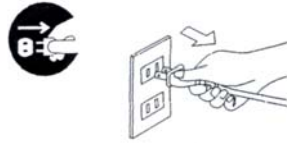
Precautionary Measures

Important: If the suction opening in the unit or the hose becomes blocked, switch off the unit and remove the blocking substance before you start the unit again.

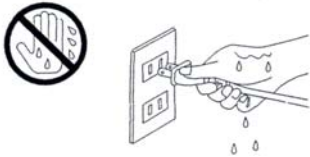
1. **Do not** place the unit too close to heaters.



4. When pulling out the power plug from the wall outlet. Pull the plug **not** the power cord.



2. Before inserting the power plug into the wall outlet, make sure that your hands are dry.



5. **Do not** dispose of or pick up anything that is burning or smoking such as cigarettes, matches or hot ashes.

6. **Do not** use without garbage bag, filters, and vacuum dust bag in place.

3. **Do not** vacuum any liquids.



Bag and Filter Instructions

WARNING: TO REDUCE THE RISK OF ELECTRIC SHOCK, THE POWER CORD MUST BE DISCONNECTED BEFORE REMOVING THE DUST BAG, THE PRE-MOTOR AND HEPA FILTER, OR PERFORMING MAINTENANCE AND TROUBLE SHOOTING CHECKS.

WARNING: NEVER OPERATE THE VACUUM WITHOUT THE VACUUM BAG AND ALL THE FILTERS IN PLACE.

HOW TO CHANGE AND CLEAN THE HEPA-TYPE FILTER

Note: The HEPA-Type filter is located at the back of the unit. (Fig. 17)

Important Note: This is a HEPA-Type filter, and will stop most of the tiniest dust particles from re-entering the air you breathe. Because of this filtration performance, the filter will quickly accumulate many fine dust particles inside the white filter folds that are difficult to see but which will eventually block or reduce your suction power if not cleaned properly. Clean the filter after each use as described in this section.

The HEPA-Type filter should be cleaned after every use. To change and clean the HEPA-Type filter, perform the following:

1. Unplug unit.
2. Remove the HEPA-Type filter cover. (Fig. 17)



Fig. 17

3. Take out the HEPA-Type filter.
4. Vigorously "TapClean" the HEPA-Type filter on a hard surface to remove any residual dust that might still be on the HEPA-Type filter.
5. You can wash the HEPA-Type filter by running it under the tap allowing the water to run on the dirty side at least once a month or when suction is decreased.

Important Note: We recommend washing it once a month or when suction is reduced. Always allow **24 hours** for drying before replacing into the vacuum. **DO NOT USE A WASHING MACHINE TO WASH THE FILTER. DO NOT USE A HAIR DRYER OR CLOTHES DRYER TO DRY THE FILTER.**

The HEPA-Type filter should however be replaced every three (3) to six (6) months to ensure peak performance of your vacuum.

Warning: Always clean the HEPA-Type filter before each use and during prolonged usage or risk motor damage.

Bag and Filter Instructions

WARNING: TO REDUCE THE RISK OF ELECTRIC SHOCK, THE POWER CORD MUST BE DISCONNECTED BEFORE REMOVING THE DUST BAG, THE PRE-MOTOR AND HEPA FILTER, OR PERFORMING MAINTENANCE AND TROUBLE SHOOTING CHECKS.

WARNING: NEVER OPERATE THE VACUUM WITHOUT THE VACUUM BAG AND ALL THE FILTERS IN PLACE

HOW TO CHANGE AND CLEAN THE PRE-MOTOR FILTER

Note: The pre-motor filter is located in the base of the unit. (Fig. 15)

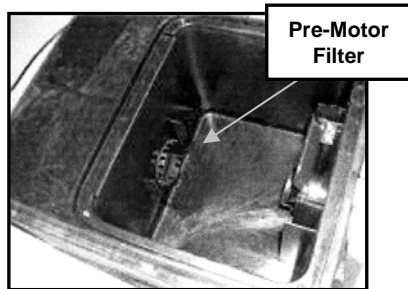


Fig. 15

To change and clean the pre-motor filter, perform the following:

1. Unplug unit.
2. Lift off the outer metal enclosure from the base of the unit.
3. Remove the vacuum bag cover, and remove the vacuum bag in order to gain access to the pre-motor filter.
4. Remove the pre-motor filter cover by sliding it upwards. (Fig. 16) It should slide off easily.

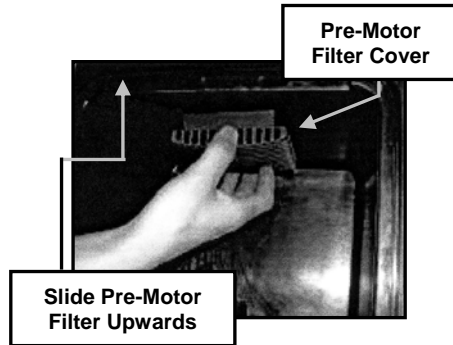
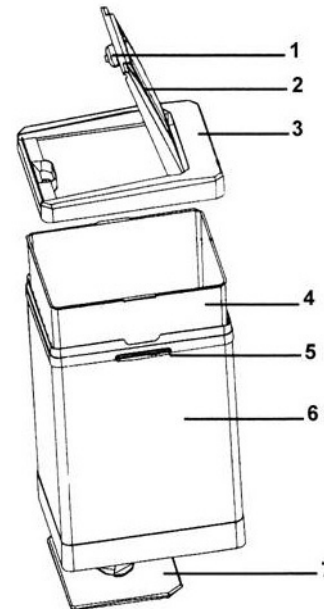


Fig. 16

5. Remove the pre-motor filter and clean it by rinsing it under lukewarm water. **DO NOT WASH THE FILTER IN THE WASHING MACHINE.** Allow the pre-motor filter to air dry for **24 hours**. It may only be put back in the unit when it is thoroughly dried. **DO NOT USE A HAIR DRYER OR CLOTHES DRYER TO DRY THE FILTER.**
6. Once the filter is put back into the unit, replace the pre-motor cover by aligning it with the grooves and sliding it downwards until it is fully in place.

GETTING TO KNOW YOUR GARBAGE CAN & CENTRAL VAC SYSTEM

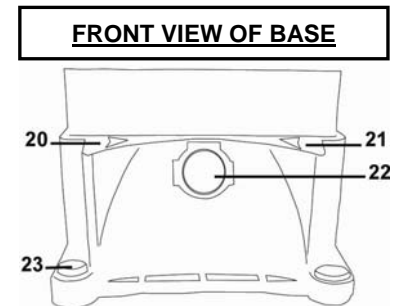


1. Lid Release Button
2. Lid
3. Cover
4. Garbage Bin
5. Handle
6. Outer Metal Enclosure
7. Vacuum Bag Cover
8. Vacuum Bag Holder
9. Pre-Motor Filter Cover (Filter not shown)
10. HEPA-Type Filter Cover (Filter not shown)
11. Base
12. Dust Inlet Cover
13. Vacuum Bag Release
14. Extension Tube (x2)
15. Crevice Tool
16. Dusting Brush
17. Small Turbo Brush
18. Flexible Hose
19. Floor Turbo Brush
20. Power Indicator Light
21. Vacuum Bag Full Indicator Light
22. Suction Intake
23. Power Button
24. Vacuum Bag (x4) (Not shown)

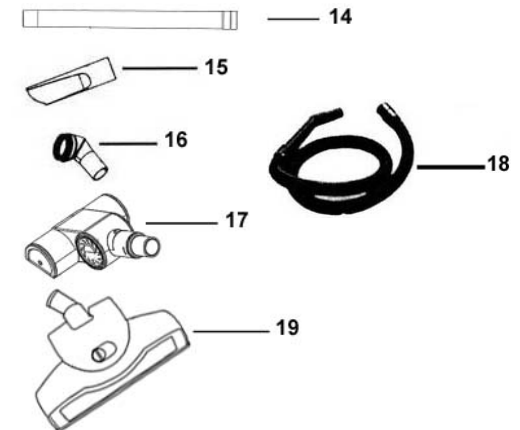
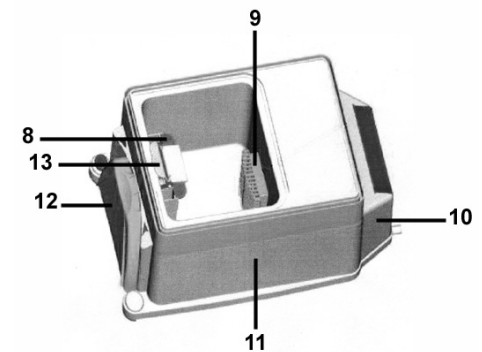
Technical Specifications

Voltage: 120 V., 60 Hz.
Power: 12 A.

* Illustration may differ from actual product



INNER VIEW OF BASE



Before Using Your Garbage Can & Central Vac System

1. Read all instructions before using your **Garbage Can & Central Vac System** for the first time.
2. Remove all packing materials and fully assemble unit as instructed on page 5 before operating.

DO NOT LEAVE UNIT UNATTENDED WHEN IN USE.

WARNING: FULLY ASSEMBLE UNIT BEFORE OPERATING.

WARNING: TO REDUCE THE RISK OF ELECTRIC SHOCK, THE POWER CORD MUST BE DISCONNECTED BEFORE REMOVING THE DUST BAG, THE PRE-MOTOR AND HEPA FILTER, OR PERFORMING MAINTENANCE AND TROUBLESHOOTING CHECKS.

WARNING: NEVER OPERATE THE VACUUM WITHOUT THE VACUUM BAG AND ALL THE FILTERS IN PLACE

Using Your Garbage Can & Central Vac System as a Traditional Garbage Can

The **Garbage Can & Central Vac System** can be used as a garbage can and vacuum, or it can be used solely as a traditional garbage can. To use this multi-purpose unit as a traditional garbage can, simply leave the unit unplugged from outlet (follow the power cord storage instructions), and store the vacuum accessories for future use.

No filters are needed for use as a traditional garbage can, however the use of plastic garbage bags are highly recommended for sanitary reasons. The garbage bin fits 8 gallon garbage bags (not included with unit).

Maintenance & Cleaning Instructions

The following instructions should be followed in order to keep the unit clean and functioning:

- When garbage bag is full, remove cover and take out garbage bag.
- Should any garbage residue remain in the garbage bin, wipe clean using a damp cloth, and then wipe dry using a soft, dry cloth. A mild cleaning product may be used to remove persistent garbage residue.
- Before further use of garbage can, replace with a new garbage bag immediately.
- Wipe outer metal enclosure with a damp cloth. Should any garbage residue remain on the outer metal enclosure, wipe clean using a damp cloth, and then wipe dry using a soft, dry cloth. A mild cleaning product may be used to remove persistent garbage residue.

Turbo Brush Instructions

3. Using your thumb and index finger, simultaneously squeeze the locking tabs on either side of the trap door and lift off. (Fig. 13) Doing so will remove the trap door and allow you access to the turbine for cleaning and maintenance purposes. (Fig. 14)
4. There may be some dust, lint, hair, etc on the turbine wheel. Remove as much of this as possible.
5. You may also use the unit's hose with crevice tool attached and use the vacuum to remove any additional debris from the turbine.
6. Ensure that the turbine wheel moves freely by rotating it with your finger. If the turbine does not rotate, call **EURO-PRO** Customer Service for help at 1 (800) 798-7398.
7. Once clean, replace the trap door of the turbo brush. Ensure that it clicks into place.

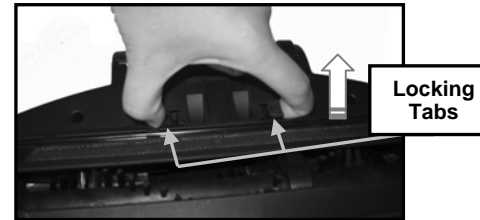


Fig. 13

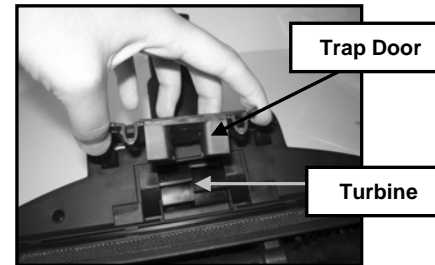


Fig. 14

Air Driven Turbo Brush Instructions

USING THE UNIT WITH AN AIR DRIVEN TURBO BRUSH

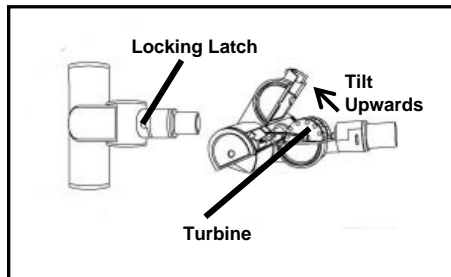
Note: Your **Air Driven Turbo Brush** may be used with either the extension tubes or the flexible hose. The efficiency of your **Air Driven Turbo Brush** depends on the bristle brush rotating at high speed. Strong air suction is needed to accomplish this. In order to ensure that maximum air suction is maintained, please read the following instructions:

1. Change the vacuum bag when full.
2. Ensure that the rotating brush is kept free of hair and string which may accumulate and decrease brush performance.
3. Keep **Air Driven Turbo Brush** turbine free of dirt and foreign matter. (See illustration below for cleaning instructions.)

How To Clean the Small Turbo Brush

From time to time, the turbine of your turbo brush will require cleaning. To do this:

1. Remove the turbo brush from the hose or extension tube.
2. Slide locking latch forward then tilt the top housing of the brush upwards. The top housing is hinged and will tilt up approximately 45° only. (Fig. 11)



3. There may be some dust, lint, hair, etc on the turbine wheel. Remove as much of this as possible.
4. You may also use the unit's hose with crevice tool attached and use the vacuum to remove any additional debris from the turbine.
5. Ensure that the turbine wheel moves freely by rotating it with your finger. If the turbine does not rotate, call **EURO-PRO** Customer Service for help at **1 (800) 798-7398**.
6. Once clean, close the top cover of the turbo brush and slide the locking latch toward the rear of the brush to lock.

How To Clean the Floor Turbo Brush

From time to time, the turbine of your turbo brush will require cleaning. To do this:

1. Remove the turbo brush from the hose or extension tube.
2. Flip the turbo brush over so that the bottom of it is facing upwards. (Fig. 12)

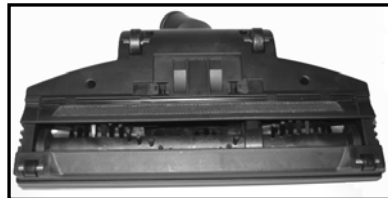


Fig. 12

Motor Protective Thermostat

MOTOR THERMOSTAT

Important: This unit is equipped with a motor protective thermostat. If for some reason the vacuum cleaner should overheat, the thermostat will automatically turn the unit off. Should this occur:

- Push the power button once.
- Disconnect the plug from the power source.
- Check the source of overheating problem (i.e. clogged hose, filter, or full vacuum bag).

- If clogged hose or filter is found, unclog the hose and replace the filters.
- Wait at least **45 minutes** before attempting to reuse the vacuum.
- After unit has cooled down for **45 minutes**, plug in the cleaner and push the power button. The vacuum should start again.
- If the vacuum still does not start, contact customer service at **1(800) 798-7398**.

Power Cord Storage

When the unit is not in use, it is important to follow proper power cord storage instructions:

1. Pull out the power cord from the wall outlet.
2. Loosely wind the power cord and leave at the back of the unit, giving it enough space so that it does not become damaged. **DO NOT LET THE POWER CORD LIE ON OR NEAR WATER OR ANY OTHER KIND OF LIQUID.**
3. Always check if the power cord is damaged or if the plug is wet before use.

Assembling Instructions

1. Assemble the plastic garbage bag to the garbage bin. (Fig. 1)
3. Put the cover on the garbage bin, and put the garbage bin and outer metal enclosure on the base of the unit. (Fig. 3 & Fig. 4)



Fig. 1

2. Put the garbage bin in outer metal enclosure. (Fig. 2)



Fig. 2



Fig. 3



Fig. 4

Operating Instructions

DO NOT LEAVE UNIT UNATTENDED WHEN IN USE.

WARNING: FULLY ASSEMBLE UNIT BEFORE OPERATING.

WARNING: NEVER OPERATE THE VACUUM WITHOUT THE VACUUM BAG AND ALL THE FILTERS IN PLACE

HOW TO OPERATE

Using the Dust Inlet

1. Ensure vacuum bag and filters are in place before using.
2. Plug unit into outlet. Check that the power cord is not damaged or wet before use.
3. Push the power button to turn on the unit. When the unit has been turned on, the power indicator light will go on. (Fig. 5) Once the unit is on, sweep the dirt/dust to the dust inlet. The dust inlet will then suck up the dirt/dust. To turn the unit off, push the power button a second time.

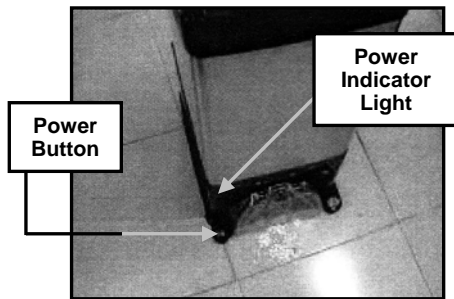


Fig. 5

Using the Central Vac System

1. Ensure vacuum bag and filters are in place before using.
2. Remove dust inlet cover and insert hose into suction intake. (Fig. 6)

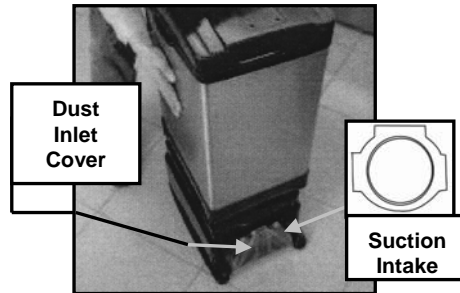


Fig. 6

3. Attach desired accessory to hose. Attach extension tubes as necessary.

- **Dusting Brush**
Use on furniture, drapes, and walls.
- **Crevice Tool**
Use on furniture and between cushions.
- **Small Turbo Brush**
Use on furniture.
- **Floor Turbo Brush**
Use on floors or carpets.

4. Once having attached the desired accessory, you may push the power button to turn the unit on and start the suction. To stop suction push the power button once more.

Bag and Filter Instructions

WARNING: TO REDUCE THE RISK OF ELECTRIC SHOCK, THE POWER CORD MUST BE DISCONNECTED BEFORE REMOVING THE DUST BAG, THE PRE-MOTOR AND HEPA FILTER, OR PERFORMING MAINTENANCE AND TROUBLE SHOOTING CHECKS.

WARNING: NEVER OPERATE THE VACUUM WITHOUT THE VACUUM BAG AND ALL THE FILTERS IN PLACE.

VACUUM BAG

How to Remove and Replace the Vacuum Bag

Note: The vacuum bag is located in the base of the unit.

The vacuum bag full indicator light will go on to indicate that the bag is full and needs to be replaced. To replace the bag perform the following steps:

1. Unplug unit.
2. Lift off the outer metal enclosure from the base of the unit.
3. Remove the vacuum bag cover. (Fig. 7)



Fig. 7

4. Press on the vacuum bag release, in order to release the bag and remove it. (Fig. 8)

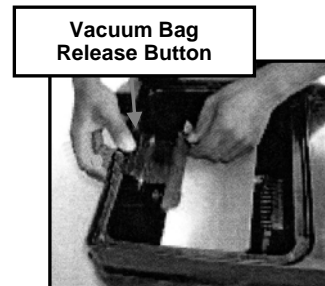


Fig. 8

5. Remove the vacuum bag from the vacuum bag holder. (Fig. 9) The vacuum bag should slide out easily from the vacuum bag holder. Put the dirt and dust filled vacuum bag in the garbage bin.

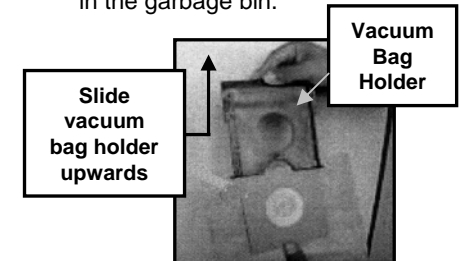


Fig. 9

6. Take a new vacuum bag and attach it to the vacuum bag holder by sliding the vacuum bag's cardboard front into the grooves of the vacuum bag holder. It should slide in easily. (Fig. 10) **DO NOT REUSE THE VACUUM BAG.**

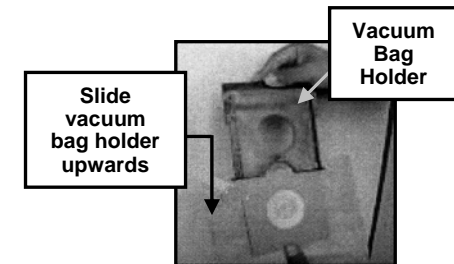


Fig. 10

7. Press on the vacuum bag release, and align the hole on the vacuum bag holder with the suction intake hole under the vacuum bag release button. Once aligned and in place, stop pressing the vacuum bag release in order for it to remain in place.

Free Manuals Download Website

<http://myh66.com>

<http://usermanuals.us>

<http://www.somanuals.com>

<http://www.4manuals.cc>

<http://www.manual-lib.com>

<http://www.404manual.com>

<http://www.luxmanual.com>

<http://aubethermostatmanual.com>

Golf course search by state

<http://golfingnear.com>

Email search by domain

<http://emailbydomain.com>

Auto manuals search

<http://auto.somanuals.com>

TV manuals search

<http://tv.somanuals.com>