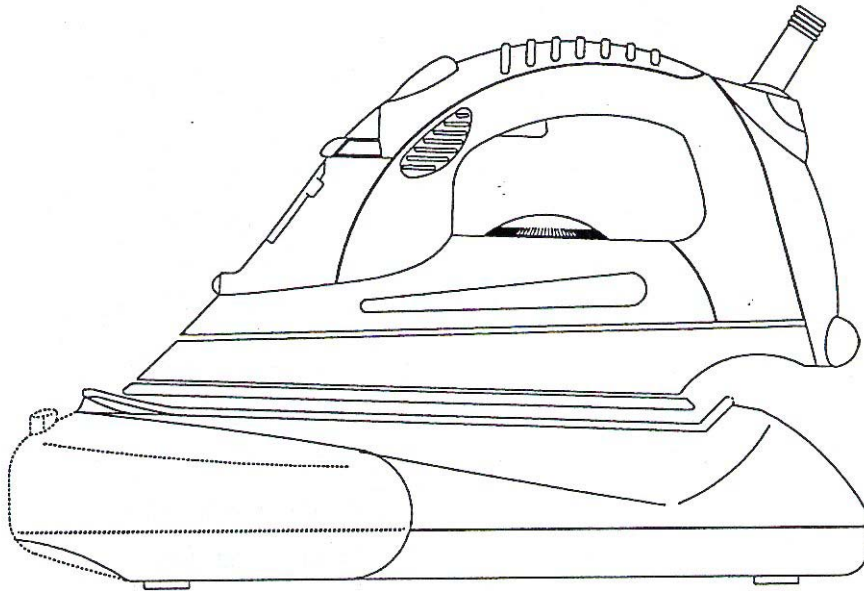


Steam Station
Model EP7005
120 Volt, 60 Hz, 1400 W.
Tank Water Capacity Approx.: 1 Liter



Use and Care Instructions

Congratulations! You are the owner of the Steam Station. To fully enjoy the advantages of your appliance, please take a few minutes to read all the "Use & Care Instructions" and keep the instructions handy for easy reference. Please review the product warranty and mail the owner registration form.

IMPORTANT SAFEGUARDS

When using your iron, basic safety precautions should always be followed, including the following:

1. Read all instructions before using the iron.
2. Use iron only for its intended use.
3. To protect against a risk of electrical shock, do not immerse in water or other liquids.
4. The iron thermostat should always be turned to its lowest position before plugging or unplugging from outlet. Never yank cord to disconnect from outlet, instead grasp plug and pull to disconnect.
5. Do not allow cord to touch hot surfaces. Let iron cool completely before putting away. Loop cord loosely around iron when storing.
6. Always disconnect iron from electrical outlet when filling iron with water or emptying and when not in use.
7. Do not operate iron with a damaged cord or if the iron has been dropped or damaged. To avoid the risk of electrical shock, do not disassemble the iron. Send it to an authorized **EURO-PRO Operating LLC** service center for examination and repair. Incorrect reassembly can cause a risk of electric shock when iron is used.
8. Close supervision is necessary for any appliance used by or near children. Do not leave iron unattended while connected or on an ironing board.
9. Burns can occur from touching hot metal parts, hot water or steam. Use caution when you turn a steam iron upside down as there may be hot water in the reservoir. Never direct steam at any person, especially when using the iron in a vertical position. The steam is very hot and can cause burns.
10. The use of accessory attachments not recommended by **EURO-PRO Operating LLC** may result in fire, electrical shock or personal injury.
11. Do not operate in the presence of explosive and/or flammable fumes.
12. Check if the voltage on the type plate (under the water tank) corresponds to the main voltage in your home.
13. Take care that children cannot touch the iron when hot and that they cannot pull the main cord or the supply hose.
14. The ejected steam is hot and therefore hazardous. Never direct the steam towards people.
15. Never immerse the iron or the water tank in water.
16. When you have finished ironing, and also when leaving the iron even for a short while:
 - Set the steam control to ●●●
 - Put the iron on the rubber mat;
 - remove the main plug from the wall socket.
17. To take optimum care of your iron, always store it on the rubber mat on the stand. Never place the hot iron on the plastic stand top (without the rubber mat), on the supply hose or the main cord.
18. Make sure that the cord set never touches the soleplate when hot.
19. Some parts of the iron have been slightly greased. As a result the iron may slightly smoke when switched on for the first time. After a short while, however, this will cease.
20. Before using the iron for the first time, remove any sticker or protective foil from the soleplate. Clean the soleplate with a soft cloth.
21. Do not put vinegar or other descaling agents into the water tank.
22. Do not use chemically descaled water.
23. Do not place the rubber mat (10) on a table or any other surface which may be damaged by heat.
24. This product is not intended for use by young children or infirm persons without supervision.
25. Young children should be supervised to ensure that they do not play with the appliance.
26. Do not use iron outdoors.
27. This product is for household use only.

FOR HOUSEHOLD USE ONLY
SAVE THESE INSTRUCTIONS

Rev. 02/01A

SPECIAL INSTRUCTIONS

1. To avoid a circuit overload, do not operate another high-wattage appliance on the same circuit.
2. If an extension is absolutely necessary, a 15-ampere rated cord with a polarized plug should be used. Cords rated for less amperage may overheat. Care should be taken to arrange so that it cannot be pulled on or tripped over.

POLARIZED PLUG This appliance has a polarized plug (one blade is wider than the other). As a safety feature, this plug will fit into a polarized outlet only one way. If the plug does not fit fully into the outlet, reverse the plug. If it still does not fit, contact a qualified electrician. Do not attempt to defeat this safety feature.

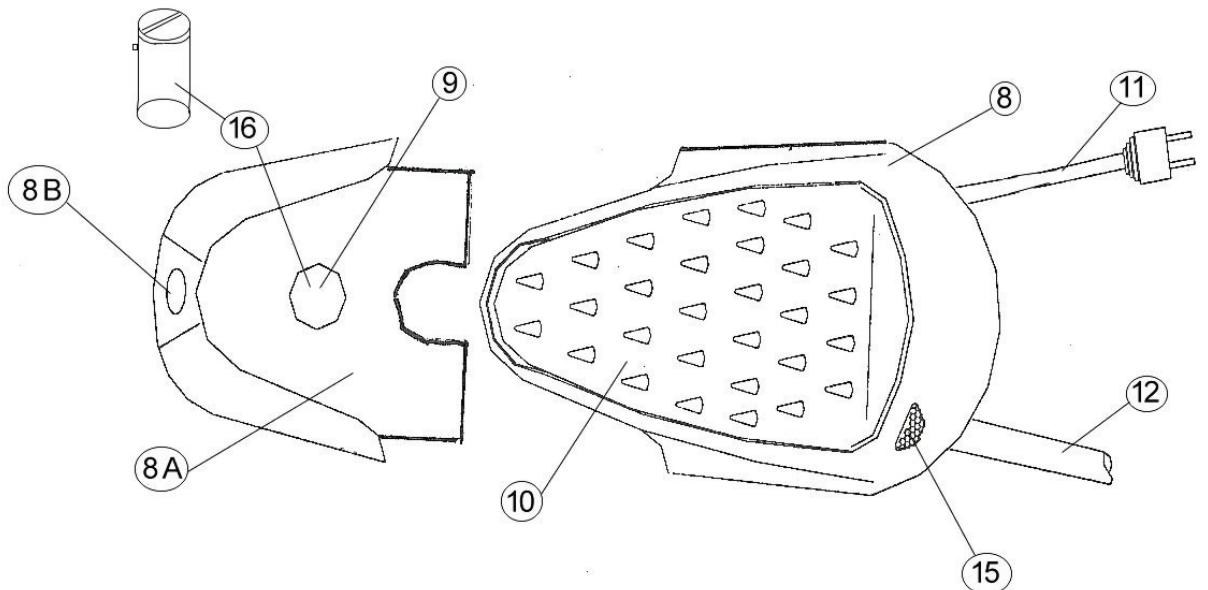
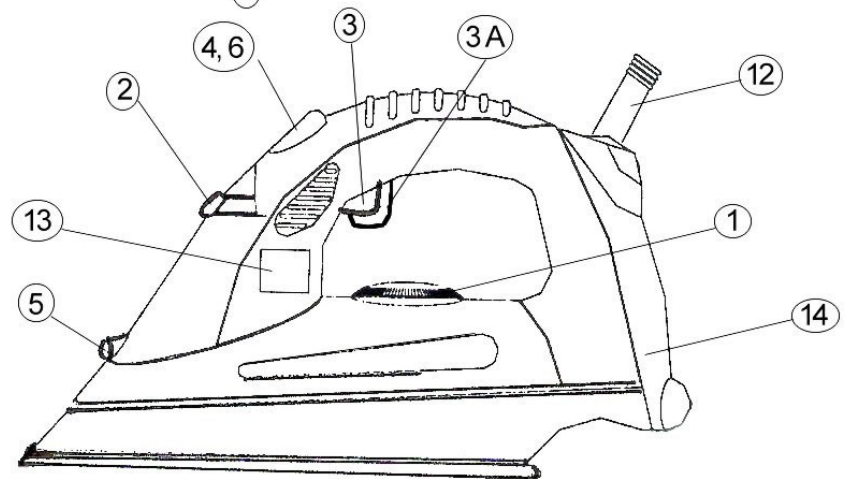
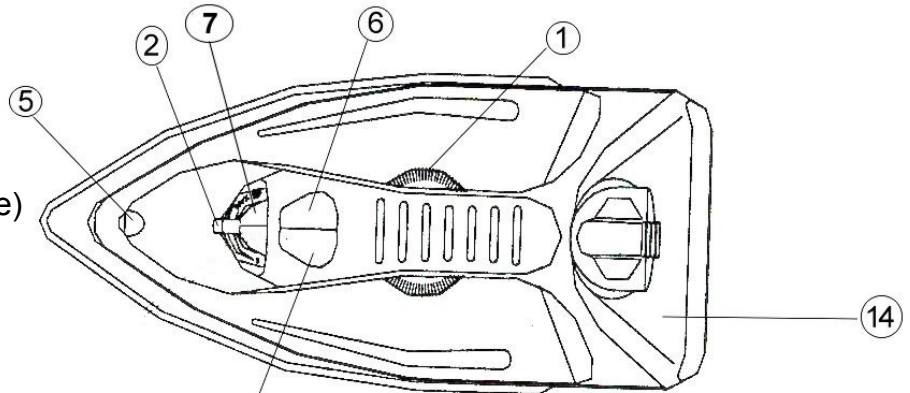
Warning

Water must first be pumped (look for pump light (15) to be illuminated) from the water tank (8A) to the iron (14) before steam will exit: water requires approximately 2 minutes to pass through the hose (12) and reach the iron (14). Once this is done, you will not have to wait again - you will have continuous steam (if you keep pump on). Please note though that you must also adjust variable steam to desired output level or steam will not exit the iron.

SAVE THESE INSTRUCTIONS

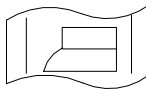
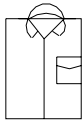
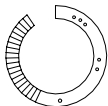
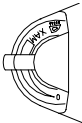

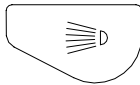
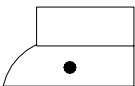

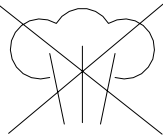
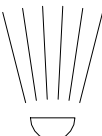
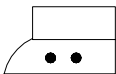



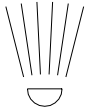
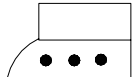


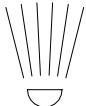
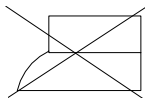
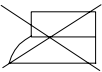
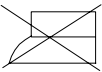
STEAM STATION Model EP7005 Main Components 1400 watts 120V - 60Hz

1. Temperature Control (Rotate Dial)
2. Steam Control (Rotate Dial)
3. Steam Trigger (Pull)
- 3A. Steam Trigger Lock
4. Spray Button (Push)
5. Spray Nozzle
6. Burst-of-steam (Push)
7. Temperature Pilot Light (right side)
8. Iron Stand
- 8A. Water Tank
- 8B. Water Tank Lock
9. Water Filling Hole
10. Rubber Mat
11. Power Cord
12. Connecting Cord / Supply Hose
13. Internal Spray Water Reservoir
14. Iron
15. Water Pump On/Off Pilot Light
16. "Anti-Calc" Cassette



Choosing the Ironing Temperature

Temperature Setting Diagram

Instructions on Label	Fabric	Temperature Control	Steam Control	Shot of Steam	Spray
					
	Synthetic fibers, e.g. acryl, viscose, polyamide (nylon), polyester Silk	 •	0		
	Wool	 ••			
	Cotton Linen	 MAX	MAX		
	 Please note that  on the label means: "This article cannot be ironed"				

Ironing Temperature

Always check first to see whether a label with ironing instructions is attached to the article to be ironed. (See table above.) Follow these ironing instructions in all cases. If ironing instructions are missing, but you do know the kind of fabric, then see the table. The table is valid for the materials only and is not applicable to any applied finish, gloss, etc... Fabric to which some kind of finish has been applied (gloss, wrinkles, relief, etc.) can be ironed at the lowest temperature such as those made of synthetic fibers. Sort the laundry out according to ironing temperature first: wool with wool, cotton with cotton, etc...

The iron heats up quicker than it cools down. Therefore, start ironing the articles requiring the lowest temperature such as those made of synthetic fibers. If the fabric consists of various kinds of fibers, you must always select the lowest ironing temperature of the composition of those fibers. (For example: an article consisting of "60% polyester and 40% cotton" should be ironed at the temperature indicated for polyester (•) and without steam.)

If you do not know what kind(s) of fabric(s) the article has been made of, find a spot which will be invisible when wearing or using the article. Try out the ironing temperature which is most suitable there. (Start at a relatively low temperature.) Pure woollen fabrics (100% wool) may be pressed with the iron set to a steam position. Preferable set the steam control to maximum position and use a dry pressing cloth. When steam-ironing woollen fabrics, shining of the fabric may occur. This can be prevented by turning the article inside out and ironing the reverse side.

Velvet and other textures which rapidly acquire shiny spots should be ironed in one direction only (with the nap) applying light pressure. Always keep the iron moving.

Iron the reverse side of synthetic materials and silk to prevent shining spots. Do not use the spray button to prevent stains.

Before First Use

Remove any labels, stickers or tags which may be attached to the body or the soleplate of the iron before using the iron.

Read all instructions carefully. Always follow the Important Safeguards.

IMPORTANT

The first time an iron is used, some odor and small white particles may come out of the steam vents. This is perfectly normal and will cease to occur after the iron has been in use for a short while.

Before you start using your iron, follow the instructions in manual and do the following in order to eliminate any odor and small white residue particles and to ensure optimum steam performance.

How the Water is Pumped to the Iron

1. The water is pumped from the water tank (8A) to the iron (14) through the supply hose (12) by a built-in water pump.
2. This water pump is activated by pulling on the trigger (3). The water pump pilot light (15) will go on.
3. The water pump will stay activated as long as your finger pulls the trigger (3) or the trigger will stay pulled in permanently if the trigger lock (3A) is pushed backwards.

But you will only get steam if the variable steam Control (2) is above Minimum. i.e. between “Min” and “Max” levels. Please note that you can also achieve continuous steam in the vertical position.

- Fill the water tank (8A) according to instructions on filling (see page 5).
- Set the temperature control (1) to its highest level.
- Set the steam control (2) to “0”.
- When the “Temperature Pilot Light” (7) goes off, indicating that the iron has reached its selected temperature,

Then

- Set the variable steam control (2) to MAXIMUM.
- Pull the steam trigger (3) (located below the handle) to activate the internal water pump.
- Push the trigger lock (3A) backwards, so that the steam trigger (3) will stay pulled.
- Steam will come out after about 2 minutes. Please be patient for the first usage after which there will be no further waiting.
- Iron on a piece of cloth / towel for 2 minutes.
- Place the iron on the rubber mat (10) and allow it to steam for 5 minutes.
- Press the “burst of steam” knob (6) to eliminate white residue particles.

Installing the Rubber Mat (10) onto the Iron Stand (8)

Please note that during transportation, the rubber mat (10) may come off its place.

- The iron stand (8) has 5 holes on the circumference of its top.
- The rubber mat (10) has 5 pins in the corresponding locations.
- Place the rubber mat (10) on top of the iron stand (8) and push each individual pin into its hole. (Fig. 1)

IMPORTANT: Never place the hot iron on the plastic iron stand without the rubber mat on top of the iron stand.

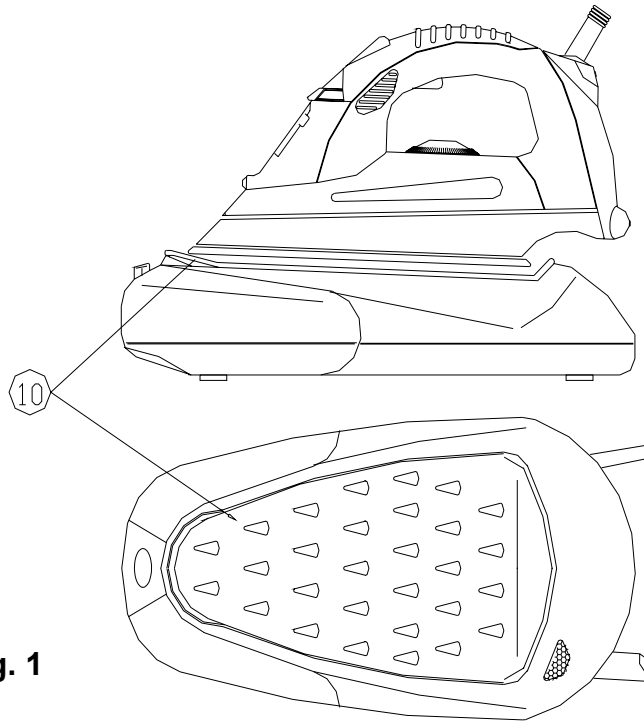


Fig. 1

Filling the Water Tank (8)

A Word on Water

Our steam irons should be used with tap water up to 3 mmol/l alkaline earth ions (check the degree of hardness of your water with your local water authority) or a mixture of distilled/demineralized water with tap water.

If your tap water is very hard, you can mix 1:1 distilled / demineralized water with mineral water so that your steam performance will be good.

Never use water containing additives, battery top-up water from service stations, water from household softening systems or descaling agents.

Distilled/Demineralized Water:

This should normally be mixed 1:1 with tap water. The use of pure distilled/demineralized water creates difficulties with steam production and can cause water to escape through the soleplate (formation of drops).

Note: If water escapes through the soleplate while you are using distilled/demineralized water, we recommend you use tap water 3 or 4 times.

Water with Additives:

Starch, conditioner, perfume and fabric conditioner should never be added to the water. These result in residues in the steam chamber which will damage your iron and stain your laundry. For this reason, no condensed water (water from driers may be used, as this can contain additives (e.g. conditioner).

Descaling the Iron:

Do not use chemical descaling agents as these can cause damage to the iron and stain your laundry.

Battery Water From Service Stations:

Do not use battery water as only minute quantities of acid can cause damage to the iron.

Water From Household Water Softening Systems:

Do not use water from household water softening systems because even though these systems remove calcium from the water, they add other substances to it. Therefore this water is not suitable for steam irons.

Filling the Water Tank

1. Push down the water tank lock (8B).
2. Slide out the water tank (8A) from under the iron stand (8). (Fig. 2)
3. Rotate slightly the top of the "Anti-Calc" Cassette and pull it out of the water tank.
4. Fill the water tank up to the "Max" mark, as shown below in fig #2.

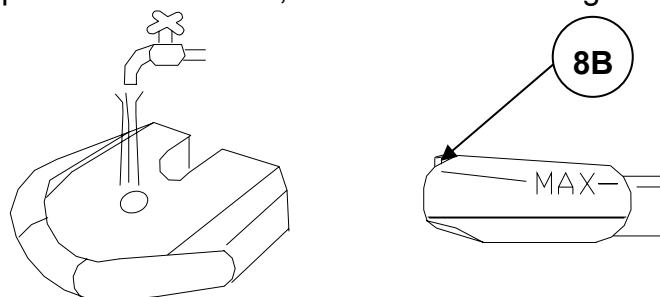


Fig. 2

5. Return the water tank (8A) to its place, under the iron stand (8).

Note: Make sure that the water tank (8A) is pushed back to its place and the lock (8B) is closed. If the water tank (8A) is **not** in its place, it will not be able to deliver water from the pump to the iron.

How the Water is Pumped to the Iron

1. The water is pumped from the water tank (8A) to the iron (14) through the supply hose (12) by a built-in water pump.
2. This water pump is activated by pulling on the trigger (3). The water pump pilot light (15) will go on.
3. The water pump will stay activated as long as your finger pulls the trigger (3) or the trigger will stay pulled in permanently if the trigger lock (3A) is pushed backwards.

But you will only get steam if the variable steam Control (2) is above Minimum. i.e. between “Min” and “Max” levels. Please note that you can also achieve continuous steam in the vertical position.

Ironing Without Steam

- Make sure that the variable steam control (2) is set at “0”.
- Place the iron on the iron stand (8) on top of the rubber mat (10).
- Plug the power cord (11) into the 120 volt wall socket.

IMPORTANT: Never rest the hot iron on the plastic iron stand (8). Always attach the rubber mat (10) on top of the iron stand (8).

- Select the required temperature setting on the temperature control (1) using the temperature setting table as a reference (see page 2).
- The temperature pilot light (7) will come on indicating that the iron is heating up.
- When the temperature pilot light (7) turns off, the set temperature has been reached, and the iron is ready for use.
- The temperature pilot light (7) will go on and off as the thermostat is switching the heating element on and off to maintain the selected temperature.

Ironing With Steam

- Make sure that the Steam Station is unplugged from the power source.
- Set the variable steam control (2) TO "0". (Fig. 3)
- Fill the water tank (8A) with tap water, following the instructions for filling the water tank.
- Make sure that the iron is resting on top of the rubber mat (10).

IMPORTANT: Do not place the rubber mat (10) on a table or any other surface which may be damaged by heat.

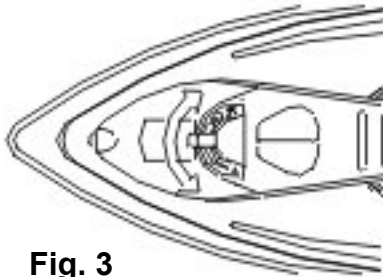


Fig. 3

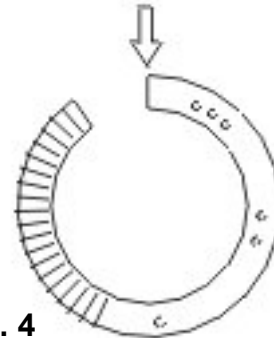


Fig. 4

- Plug the power cord (11) into the 120 volt AC electrical outlet.
- Set the temperature control dial (1) to the steam area. (Fig. 4)
 - For Moderate Steam
 - For Maximum Steam
- Activate the water pump by pulling on the trigger (3). (Fig. 5)

Note: You can push the trigger lock (3A) backwards to keep the trigger (3) in a pulled position permanently.

- Make sure that the iron has reached the selected temperature before using steam.

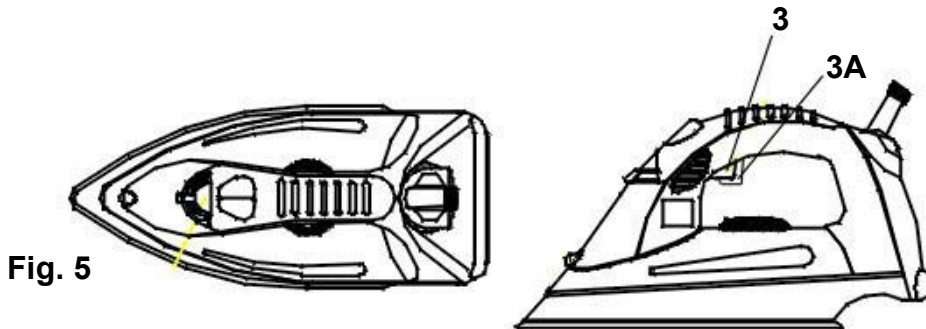


Fig. 5

IMPORTANT: Do not open the steam control (2) or push the burst-of-steam knob (6) until the temperature pilot light (7) goes off indicating that the selected temperature has been reached. If you activate any of the above before the correct temperature is reached, the iron will drip water.

Anti-Drip Function

Steam ironing is only possible at higher temperatures with conventional steam irons. Water may leak from the soleplate if the temperature selected is too low and therefore this may cause stains. The anti-drip shut-off functions as follows:

At low temperature, the iron will stop steaming. To avoid the formation of water droplets, when the drip-stop is activated, you will hear a “click” indicating the flow of water has been stopped. Set the temperature control (1) up to the correct setting, steam will recommence as soon as the appropriate temperature has been reached.

Continuous Steam Function

- Make sure there is enough water in the water tank (8A).
- Put the iron on the rubber mat (10) on top of the iron stand (8).
- Set the temperature control (1) at the required setting within the “Steam Area”.
- After the temperature pilot light (7) has turned off and then on again, you can start ironing.
- Adjust the steam control (2) to the required setting.

IMPORTANT: Just before the water tank (8A) is completely empty, there could be a burst-of-steam and possibly some drops of water. Make sure your water tank always has some water inside while ironing with steam.

Continuous steam can be maintained vertically and horizontally. Be careful not to use burst of steam to often or you will get water spots.

Continuous Vertical Steaming

Continuous vertical steaming can be achieved by switching on the Steam Trigger (3), turning variable steam (2) on and holding the iron in a vertical position until continuous steam exits. Please note that you can also have vertical steam burst (6) but the bursts may interrupt the continuous steam flow. You can also have steam bursts when ironing horizontally on fabric and keeping continuous steam flowing but:

Warning: Too many bursts of steam will cause water to exit the iron and cause water spots.

Burst-Of-Steam Function

- By pushing the “Burst-of-Steam” button (6) a powerful shot of steam is emitted from the soleplate. (Fig. 6)
- This steam is useful, for example, when removing stubborn creases and can be used during continuous steaming, but do not use burst of steam too often in a short period or you will get water spots..

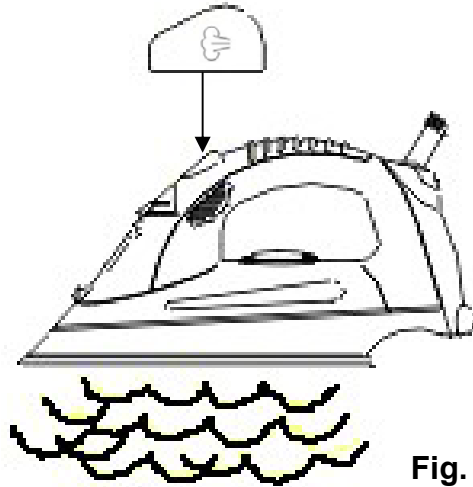
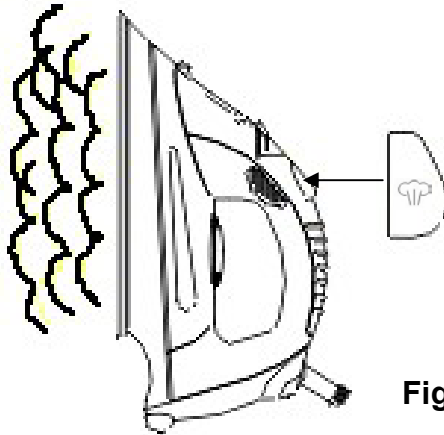


Fig. 6

Note: The Burst-of-Steam function can only be used while ironing with high ironing temperatures and at an intervals of 5 seconds or you risk water spotting.

Steaming in a Vertical Position

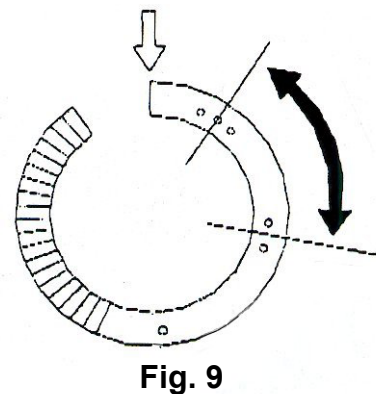
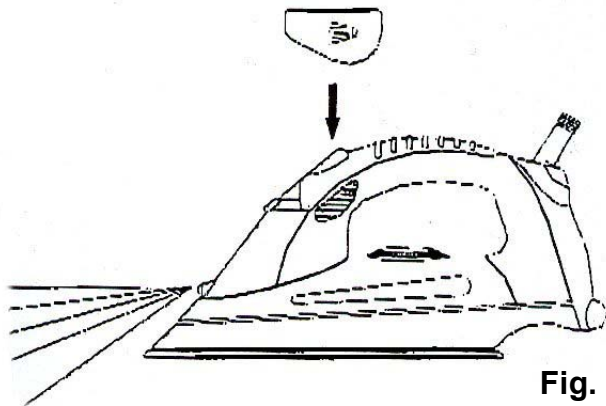
- Burst-of-Steam (6) can also be applied when holding the iron in a vertical position. (Fig. 7) this is useful when removing creases from hanging clothes, curtains, etc... The Burst-of-Steam (6) feature can only be used while ironing at high temperatures at an interval of 5 seconds.
- The iron is also suitable for continuous vertical steam (and horizontal) but only on maximum temperature.



Water Spraying

- You can spray at any temperature by pushing on the spray button (4). (Fig 8)
- An electrical pump in the ironing stand (8) supplies the small reservoir (13) with spray water.
- Ensure that there is enough water in the water tank (8A).
- When the internal reservoir (13) is empty, after intensive spraying, pull the steam trigger (3) for about 1 minute to refill it. Refilling is complete when you see/hear steam coming out from the steam vents on the iron soleplate.

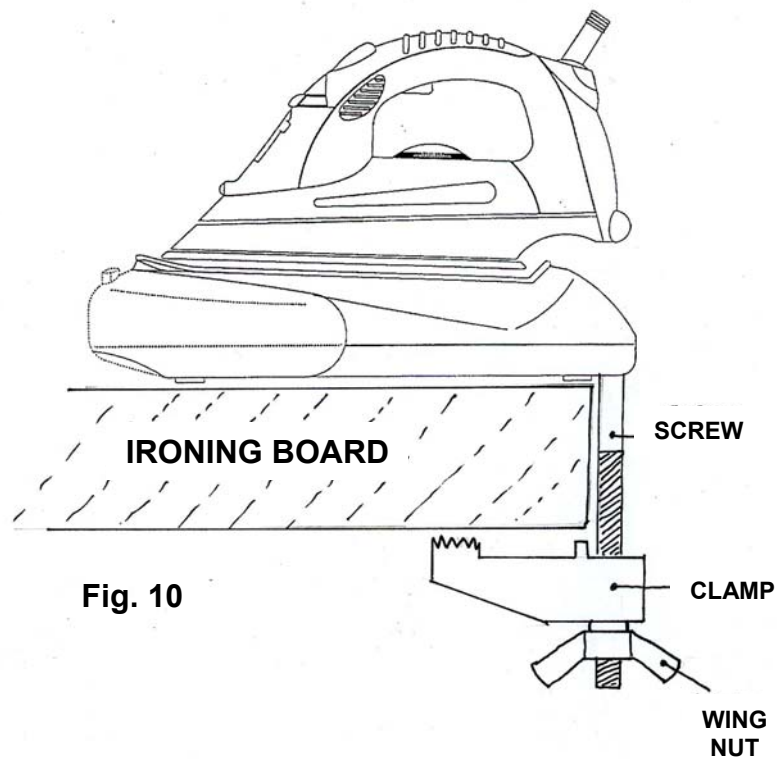
Note: Filling and refilling of the internal reservoir must be executed at a temperature setting between •• and MAX. It's not possible to fill the reservoir at a temperature setting below ••. (Fig. 9)



Attaching Iron to the Ironing Board

Your Steam Station is equipped with a clamp that can be used to attach the iron stand (8) to your ironing board (or any other suitable surface). (Fig. 10)

- Rotate the clamp 90°, so that it points down.
- Place the iron stand (8) next to the edge of the table with the clamp on the bottom.
- Turn the wing nut clockwise and then tighten it to the ironing board or table.
- Reverse the process when finished ironing to remove the Steam Station from the ironing board or table.



Cleaning

- Before cleaning, remove the power cord (11) from the wall outlet and allow the iron to cool down sufficiently.
- Scale and other deposits can be wiped off the soleplate with a damp cloth and some non-scratching (fluid) abrasive.
- Keep the soleplate smooth: avoid hard contact with metal objects.
- From time to time clean the inside of the water tank (8A) by filling it with water and shaking.

Storage

- Remove the power cord (11) from the wall outlet.
- Pour any remaining water out of the water tank (8A).
- Set the steam control (2) to position “0” (= no steam).
- Put the iron on the rubber mat (10) on its stand (8) and let cool down sufficiently before you store it.
- Regularly check if the power cord (11) is still in a good and safe condition.

How to Replace the “Anti-Calc” Cassette

- For your convenience 2 extra “Anti-Calc” cassettes (16) have been included with your Steam Station.
- The “Anti-Calc” cassette (16) should be replaced after 9-12 months of usage depending on the amount of usage and water hardness.
- Rotate and release the head of the cassette (16), then take it out.
- Empty the water from the water tank (8A) and cassette housing.
- Fill the water tank (8A) with water.
- Insert the new cassette and lock it into the water filling hole (9).
- Push steam trigger (3) for about one minute. The new cassette is now filled with water.
- You can resume ironing.

To order additional “Anti-Calc” cassettes or for customer service:

Call Customer Service

Tel.: 800-798-7398

Monday to Friday 8:30 AM – 5:00 PM Eastern Standard Time

Iron Troubleshooting

PROBLEM	POTENTIAL REASON & SOLUTIONS
Iron does not work	<ul style="list-style-type: none"> • Iron should be plugged into a 120V AC electrical outlet only. Make sure that the plug is securely in the socket. • Thermostat setting is too low. Turn to higher setting.
Thermostat ready light goes On and Off	<ul style="list-style-type: none"> • This is normal. The light goes On and Off as the thermostat is switching the heating element On and Off to maintain the selected temperature.
Some odor or small particles come out of steam vents of new iron	<ul style="list-style-type: none"> • This is normal. Follow instructions for first use and allow iron to steam through 2-3 fillings 7 press the steam burst button occasionally to eliminate small white particles.
Iron does not steam	<ul style="list-style-type: none"> • Water tank may be empty or water level is very low. Add water. • Make sure that the temperature control dial and the variable steam control are correctly set. For maximum steam, (setting "Max" on steam control), temperature control dial should be set on '...'. <ul style="list-style-type: none"> • Always allow the iron to reach the selected temperature with the steam setting at '0'. Make sure that the temperature control dial is set in the correct steam area and the steam control is not on '0'. For more steam, turn temperature dial to higher setting. e.g. '...' and the steam control to "Max". • If temperature setting and steam control setting are correct and there is no steam, gently tap the soleplate on the ironing board a few times. Move the variable steam control from '0' to "Max" a few times.
Water droplets coming from steam vents	<ul style="list-style-type: none"> • Iron may not be hot enough. Set thermostat to the "Max" position. Always allow iron sufficient time to heat up (thermostat light goes off) before activating the variable steam control. • Overuse of steam burst. Allow more time between each burst. • Iron may have been overfilled. Turn iron off, empty water and follow instructions for filling. • Steam performance may be low if iron requires seasoning. Use regular tap water for 1 or 2 tanks until steam performance improves.



ONE (1) YEAR LIMITED WARRANTY

EURO-PRO OPERATING LLC warrants this product to be free from defects in material and workmanship for a period of one (1) years from the date of the original purchase, when utilized for normal household use, subject to the following conditions, exclusions and exceptions.

If your appliance fails to operate properly while in use under normal household conditions within the warranty period, return the complete appliance and accessories, freight prepaid to **EURO-PRO Operating LLC**, 21 Lawrence Paquette Industrial Drive, Champlain, N.Y. 12919.

If the appliance is found by **EURO-PRO Operating LLC** to be defective in material or workmanship, **EURO-PRO Operating LLC** will repair or replace it free of charge. Proof of purchase date and **\$9.50** to cover the cost of return shipping and handling must be included.*

The liability of **EURO-PRO Operating LLC** is limited solely to the cost of the repair or replacement of the unit at our option. This warranty does not cover normal wear of parts and does not apply to any unit that has been tampered with or used for commercial purposes. This limited warranty does not cover damage caused by misuse, abuse, negligent handling or damage due to faulty packaging or mishandling in transit. This warranty does not cover damage or defects caused by or resulting from damages from shipping or repairs, service or alterations to the product or any of its parts, which have been performed by a repair person not authorized by **EURO-PRO Operating LLC**.

This warranty is extended to the original purchaser of the unit and excludes all other legal and/or conventional warranties. The responsibility of **EURO-PRO Operating LLC** if any, is limited to the specific obligations expressly assumed by it under the terms of the limited warranty. **In no event is EURO-PRO Operating LLC** liable for incidental or consequential damages of any nature whatsoever. Some states do not permit the exclusion or limitation of incidental or consequential damages, so the above may not apply to you.

This warranty gives you specific legal rights, and you may also have other rights which vary from state to state.

***Important:** Carefully pack item to avoid damage in shipping. Be sure to include proof of purchase date and to attach tag to item before packing with your name, complete address and phone number with a note giving purchase information, model number and what you believe is the problem with item. We recommend you insure the package (as damage in shipping is not covered by your warranty). Mark the outside of your package "ATTENTION CUSTOMER SERVICE".



OWNERSHIP REGISTRATION CARD

Please fill out and mail the product registration card within ten (10) days of purchase in order to validate the foregoing Limited Warranty. The registration will enable us to contact you in the unlikely event of a product safety notification. By returning this card you acknowledge to have read and understood the instructions for use, and warnings set forth in the accompanying instructions.

**RETURN TO EURO-PRO OPERATING LLC, 21 LAWRENCE PAQUETTE IND. DR., CHAMPLAIN, N.Y. 12919
IN CANADA: 4400 BOIS FRANC, ST. LAURENT, QUEBEC, H4S 1A7**

EP7005

Appliance model

Date purchased

Name of store

Owner's name

Address

City

Prov./State

Postal Code/Zip Code

Free Manuals Download Website

<http://myh66.com>

<http://usermanuals.us>

<http://www.somanuals.com>

<http://www.4manuals.cc>

<http://www.manual-lib.com>

<http://www.404manual.com>

<http://www.luxmanual.com>

<http://aubethermostatmanual.com>

Golf course search by state

<http://golfingnear.com>

Email search by domain

<http://emailbydomain.com>

Auto manuals search

<http://auto.somanuals.com>

TV manuals search

<http://tv.somanuals.com>