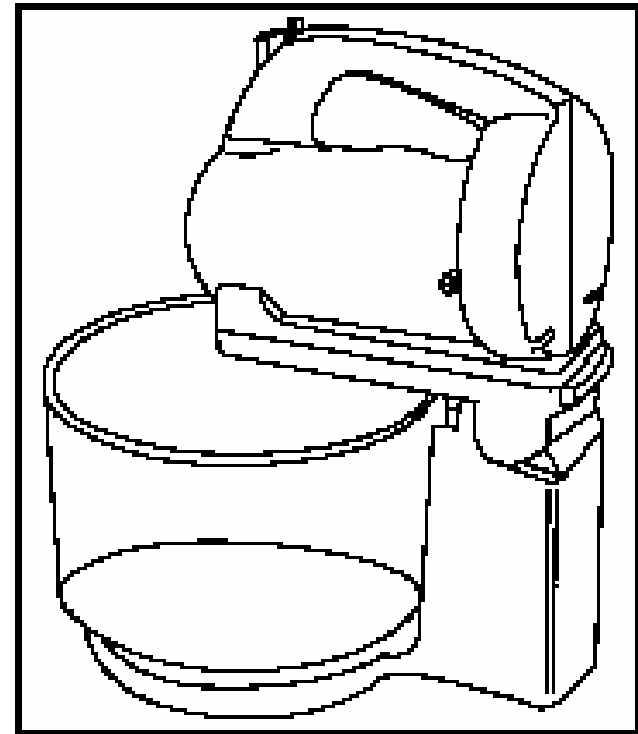


# **Bravetti**<sup>TM</sup>

## **OWNER'S MANUAL**

Model BKM550  
120V., 60Hz., 300 Watts

## **6 Speed Power Mixer with Stand & Glass Bowl**



**EURO-PRO Operating LLC**  
Boston, MA, 02465  
1 (800) 798-7398  
[www.euro-pro.com](http://www.euro-pro.com)

# IMPORTANT SAFETY INSTRUCTIONS

When using electrical appliances, basic safety precautions should always be followed, including the following:

1. Read all instructions for use carefully and look at the illustrations before you start using the appliance.
2. To protect against risk of electrical shock, **do not** immerse power cord, plug or mixer in water or any other liquid.
3. Close supervision is necessary when any appliance is used by or near children.
5. **Unplug** from outlet when not in use, before putting on or taking off parts and before cleaning the appliance.
6. **Do not** operate any appliance with a damaged cord or plug, or after the appliance malfunctions, has been dropped or damaged in any manner. Return the appliance to **EURO-PRO Operating LLC** for examination, repair or adjustment. See warranty.
7. Avoid contact with moving parts at all times. Keep hands, hair, clothing, as well as spatulas and other utensils away from beaters during operation to prevent personal injury and/or damage to the mixer.
8. The use of accessory attachments not recommended by the appliance manufacturer may cause injuries.
9. Remove beaters, dough hooks and whisk from mixer before cleaning.
10. **NEVER** place the unit close to the edge of a counter or table. Make sure that the power cord is positioned safely so that nobody trips or gets tangled in it.
11. **Extreme** caution must be used when moving any appliance containing hot hot liquids.
12. **Do not** leave appliance unattended while in use.
13. **Do not** use outdoors.
14. **Do not** let cord hang over the edge of the table, counter or touch hot surfaces.
15. **Do not** place on or near a hot gas or electric burner, or in a heated oven.
16. **Do not** use appliance for other than intended household use.
17. The mixer is designed for intermittent use, it can be run for up to 10 minutes on settings 1-3 without interruption. Do not use for more than 30 seconds on the Hi range settings, allow the motor to cool afterwards.
18. To avoid injury by accidentally switching on the appliance when inserting the beaters, dough hooks or whisk attachments, always set the switch to the "Off" position and unplug the appliance before assembling or disassembling.

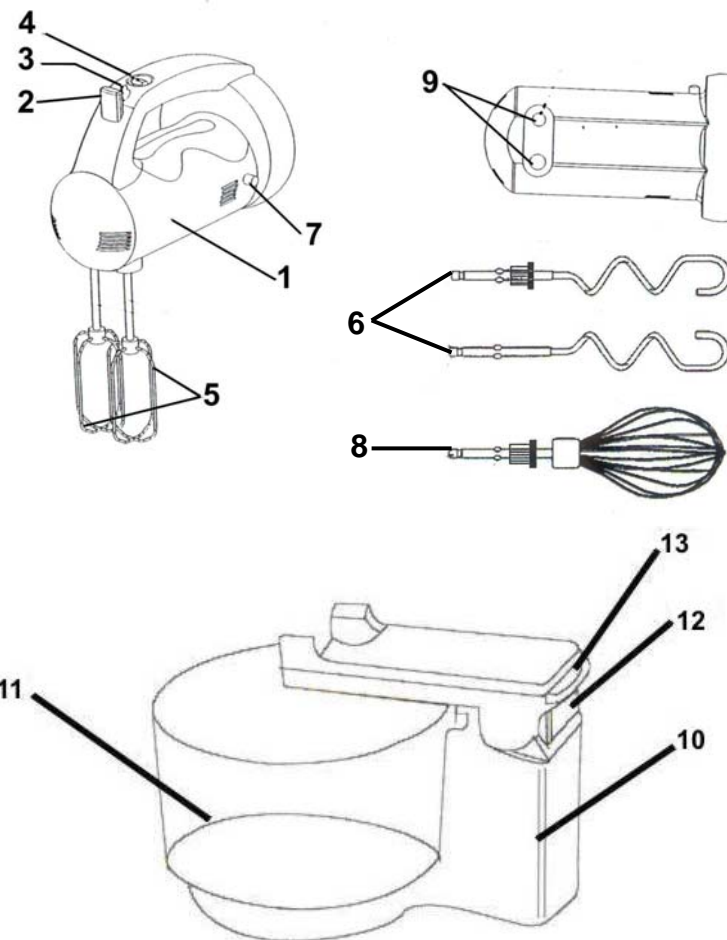
**Note:** An extension cord may be used if you are careful in its use:

1. The electrical rating of the extension cord should be at least as great as the electrical rating of the appliance.
2. An extension cord with the power cord must be arranged so that it will not drape over the countertop or tabletop where they can be pulled on by children or tripped over accidentally.

This appliance has a polarized plug (one blade is wider than the other). To reduce the risk of electric shock, this plug is intended to fit into a polarized outlet only one way. If the plug does not fit fully into the outlet, reverse the plug. If it still does not fit, contact a qualified electrician. Do not attempt to modify the plug in any way.

## SAVE THESE INSTRUCTIONS FOR HOUSEHOLD USE ONLY

## GETTING TO KNOW YOUR 6 SPEED MIXER



- |                          |                         |
|--------------------------|-------------------------|
| 1. Main Unit             | 8. Whisk (1)            |
| 2. Beater Release Button | 9. Beater Openings      |
| 3. Speed Selector        | 10. Stand               |
| 4. Hi/Lo Range Selector  | 11. Glass Bowl          |
| 5. Beaters (2)           | 12. Tilt Button         |
| 6. Dough Hooks (2)       | 13. Lock Release Button |
| 7. Cord Rewind Button    |                         |

### Technical Specifications

Voltage: 120V., 60Hz.  
Power: 300 Watts

Read all the sections of this booklet and follow all the instructions carefully.

## OPERATING INSTRUCTIONS

Before using your **Bravetti Power Mixer** for the first time, wash the beaters, dough hooks, whisk and glass bowl in warm, sudsy water. Rinse and dry thoroughly.

**Warning:** To avoid injury when inserting or removing beaters, dough hooks or whisk always set the speed selector on "0" and unplug the appliance.

**Warning:** The unit is designed for intermittent use. The maximum operating time on settings "1-3" in the "Lo" range is 10 minutes non-stop with beaters, dough hooks, or whisk. The maximum operating time on settings "1-3" in the "Hi" range is 30 seconds non-stop with beaters, dough hooks, or whisk.

### Beaters, Dough Hooks, Whisk:

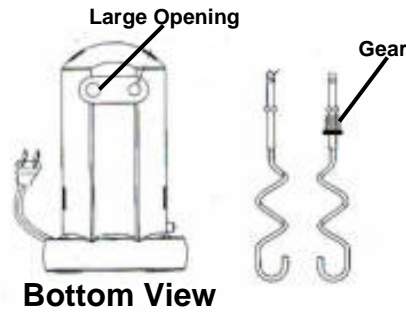
Select the attachment according to the type of mixing required. Make sure that the mixer is unplugged from power source and speed selector is set on "0" before inserting or removing beaters, dough hooks or whisk.

### Beaters:

Use for liquid mixes such as creams, egg-whites, confectionery dough, etc. Insert stem end of beaters (one at a time) into the openings in the mixer. Insert the beater with the gear in the larger of the two holes. The gear on the beater must sit below the surface of the mixer housing. To ease the inserting of the beaters, a slight twisting motion will aid in engaging the beater drive tabs. Install the second beater in the same manner as above.

### Dough hooks:

Use for light dough. Insert dough hooks in the same way as beaters above. See installing instructions for beaters above. Always use both dough hooks. Never try to work with one beater and one dough hook at the same time. **Do not** use dough hooks at low speeds as this may cause motor to overheat. When using dough hooks for heavy or thick dough, use only high speed (3) from the beginning to prevent the motor from overheating (blocking).



### Whisk:

The whisk is used to beat air into mixtures such as egg whites, yolks or cream. To insert whisk: There is only one whisk provided. Hold whisk at stem end and insert into one of the holes until it clicks into place. **DO NOT PUSH WHISK IN FROM THE WIRE END AS WIRES MAY BE DAMAGED.**

**Warning:** Never operate the appliance without all the parts in place. Make sure that **all** parts are properly assembled before turning on the unit.

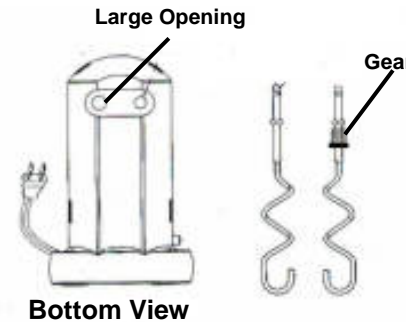
## OPERATING INSTRUCTIONS (cont.)

### To Operate the Hand Mixer

- Gently pull the power cord from the main unit.

**Caution:** Do not pull with force on the power cord or you will damage the rewinding feature and void the warranty. When rewinding, always hold the plug to avoid cord whipping.

- Before plugging in the unit, fit the desired attachment required for the mixing operation to be carried out.
- Insert the beaters or the dough hooks one at a time by pressing them gently upwards until they are fully fitted and you hear a click. Make sure that the attachment with the gear is inserted into the larger hole opening. (See illustration below.)



### To Operate the Hand Mixer (cont.)

- When you have inserted the attachment that you desire, plug in the mixer.
- Pick up the mixer and use your thumb to set the speed selector and the Hi/Lo range selector to the setting that you desire.

**Warning:** The unit is designed for intermittent use. The maximum operating time on settings "1-3" in the "Lo" range is 10 minutes non-stop with beaters, dough hooks, or whisk. The maximum operating time on settings "1-3" in the "Hi" range is 30 seconds non-stop with beaters, dough hooks, or whisk.

- We suggest that you begin at the highest speed to prevent the motor from blocking.
- Ensure that the beaters are completely free to move in your mixture.
- Return to "0" setting when you have finished using the mixer or you wish to stop.
- To remove the attachments from the mixer, press the beater release button. This button only works when the mixer is on the "0" speed setting.
- To rewind the power cord, push the cord rewind button.

**Caution:** When rewinding, always hold the plug to avoid cord whipping.

## SPEED SETTINGS

SPEED SELECTOR	HI/LO RANGE SETTINGS	
	"LO"	"HI"
"0"	Off	Off
"1"	Lowest	High-Middle
"2"	Low	High
"3"	Low-Middle	Highest

## OPERATING INSTRUCTIONS (cont.)

### How To Attach the Hand Mixer to the Stand

- The stand for the Power Mixer has two tabs on top. (Fig. 1)
- The power mixer has two slots next to the holes for inserting the attachments. (Fig. 2)
- Hold the power mixer in your right hand at an angle. Slide it from left to right securing the two tabs on the stand into the two slots on the power mixer. (Fig. 3)
- Push the power mixer down on the stand to engage the lock (Fig. 4) that secures the power mixer to the stand. (Fig. 5)

**Note:** To lock the power mixer onto the stand more easily, push the lock release button as you are lowering the power mixer down onto the stand. (Fig. 6)

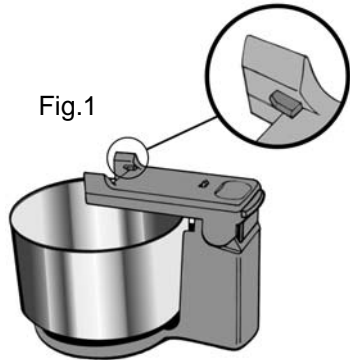


Fig.1

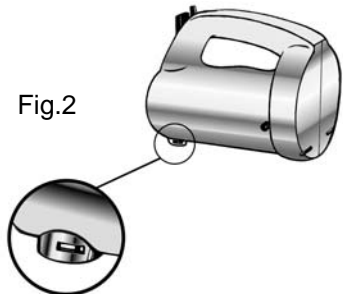


Fig.2

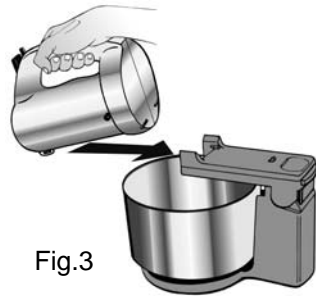


Fig.3

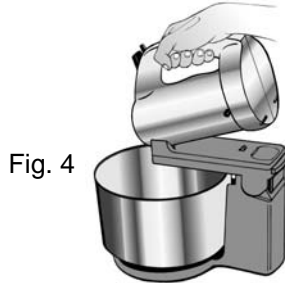


Fig. 4

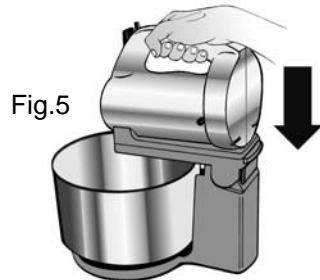


Fig.5



Fig.6

## OPERATING INSTRUCTIONS

### How To Remove the Hand Mixer to the Stand

- To remove the power mixer from the stand, push the lock release button and lift the power mixer upwards. (Fig. 7)
- In order to lift the power mixer while it is still on the stand, push the locking button and pull the power mixer upwards. (Fig. 8 & 9)

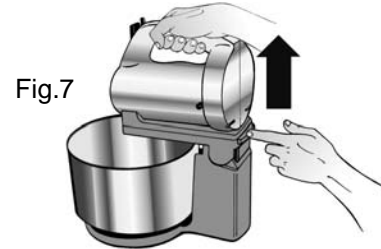


Fig.7



Fig. 8

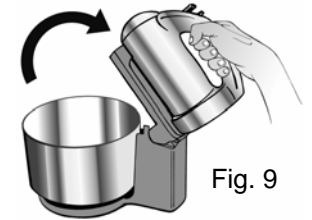


Fig. 9

## CLEANING & STORAGE

- Ensure that the mixer is unplugged and switched off before removing and cleaning the attachments.
- Wash the beaters and glass bowl in warm, soapy water or dishwasher.
- Clean the stand by wiping with a damp cloth.
- Never immerse the power mixer in water or any other liquid.
- Push the cord rewind button while holding the plug for the cord to rewind.
- You can store 1 set of the attachments on the side of the stand for easier storage.

**Caution:** Do not pull with force on the power cord or you will damage the rewinding feature and void the warranty. When rewinding, always hold the plug to avoid cord whipping.

BKM550

# Bravetti

## ONE (1) YEAR LIMITED WARRANTY

**EURO-PRO Operating LLC** warrants this product to be free from defects in material and workmanship for a period of one (1) year from the date of purchase when utilized for normal household use.

If your appliance fails to operate properly while in use under normal household conditions within the warranty period, return the complete appliance and accessories, freight prepaid. For Customer Service support, call 1 (800) 798-7398 or visit our website [www.euro-pro.com](http://www.euro-pro.com).

If the appliance is found by **EURO-PRO Operating LLC** to be defective in material or workmanship, **EURO-PRO Operating LLC** will repair or replace it free of charge. Proof of purchase date and \$9.95 to cover the cost of return shipping and handling must be included.\*

The liability of **EURO-PRO Operating LLC** is limited solely to the cost of the repair or replacement of the unit at our option. This warranty does not cover normal wear of parts and does not apply to any unit that has been tampered with or used for commercial purposes. This limited warranty does not cover damage caused by misuse, abuse, negligent handling or damage due to faulty packaging or mishandling in transit.

This warranty is extended to the original purchaser of the unit and excludes all other legal and/or conventional warranties. The responsibility of **EURO-PRO Operating LLC** if any, is limited to the specific obligations expressly assumed by it under the terms of the limited warranty. **In no event is EURO-PRO Operating LLC** liable for incidental or consequential damages of any nature whatsoever. Some states do not permit the exclusion or limitation of incidental or consequential damages, so the above may not apply to you.

This warranty gives you specific legal rights, and you may also have other rights which vary from state to state.

**\*Important: Carefully pack item to avoid damage in shipping. Be sure to include proof of purchase date and to attach tag to item before packing with your name, complete address and phone number with a note giving purchase information, model number and what you believe is the problem with item. We recommend you insure the package (as damage in shipping is not covered by your warranty). Mark the outside of your package "ATTENTION CUSTOMER SERVICE".**



-----  
**OWNERSHIP REGISTRATION CARD  
FOR CANADIAN CONSUMERS ONLY**

Please fill out and mail the product registration card within ten (10) days of purchase. The registration will enable us to contact you in the unlikely event of a product safety notification. By returning this card you acknowledge to have read and understood the instructions for use, and warnings set forth in the accompanying instructions.

**RETURN TO: EURO-PRO Operating LLC, 4400 Bois Franc, St-Laurent, QC, H4S 1A7**

**BKM550**

**Appliance model**

**Date purchased**

**Name of store**

**Owner's name**

**Address**

**City**

**Prov.**

**Postal Code**

**Printed in China**

## Free Manuals Download Website

<http://myh66.com>

<http://usermanuals.us>

<http://www.somanuals.com>

<http://www.4manuals.cc>

<http://www.manual-lib.com>

<http://www.404manual.com>

<http://www.luxmanual.com>

<http://aubethermostatmanual.com>

Golf course search by state

<http://golfingnear.com>

Email search by domain

<http://emailbydomain.com>

Auto manuals search

<http://auto.somanuals.com>

TV manuals search

<http://tv.somanuals.com>