

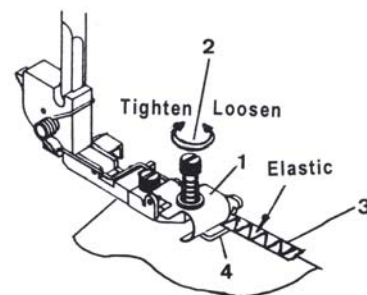
BONUS FEET FOR SERGER MODEL EP550 H

ELASTIC FOOT

This special sewing foot is for sewing on elastic tape. In the same operation, the fabric is trimmed, serged and gathered by the constriction of the elastic tape.

Preparing the sewing machine

Differential feed setting: set at "N" position
Stitch length: 4-5
Needles: use 1 or 2 needles, depending on tape width
Thread tension: standard setting



Inserting the elastic tape

- Loosen screw (2) so that brake (1) at opening (4) is opened by 1.5 to 2 mm.
- Place in elastic tape (3) and pass it back under the foot.
- Tighten brake (1) with screw (2) again. The more screw (2) is turned, the stronger the pressure of the brake (1) is on the elastic tape and thus the greater the gather effect.

Note:

When the sewing foot is raised, the elastic tape should be pulled through brake (1) slightly loosened.

BLIND HEM/LACE FOOT

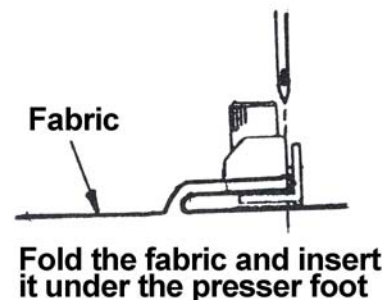
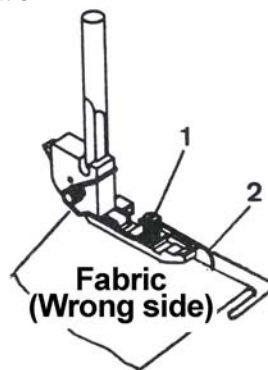
One foot for both blind hem and lace sewing.

Blind Hem: The hem is trimmed, serged and sewn in one operation.

Lace: For sewing lace or borders together or onto a workpiece.

Preparing the sewing machine

Differential feed setting: set at "N" position
Stitch length: 3 to 4
Thread tension: standard setting
Needle: remove the left needle and use **ONLY** the right needle



1. Place the work under the foot. Fold the fabric and insert it under the presser foot.
2. How to sew:
 - a) Turn the adjustment dial (1) to adjust the guide plate (2) to the left or right until the fold of the fabric is in line with the needle.
 - b) Sew the fabric so that the fold is always against the guide.
 - c) Open out the fabric and press lightly on the wrong side.

SHIRRING FOOT

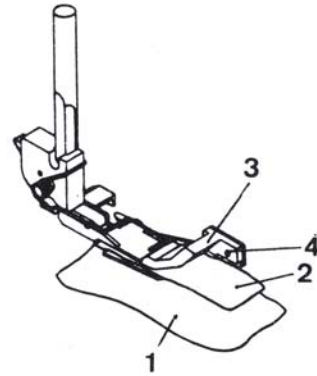
This special sewing foot is used for joining two pieces of fabric and shirring the bottom layer in one operation.

Preparing the sewing machine

Differential feed setting: set at "G" position
Stitch length: 3 to 4
Needles: use 1 or 2 needles
Thread tension: standard setting

Inserting the shirring foot

1. Raise the sewing foot.
2. Set the needle at its highest position.
3. Place bottom fabric layer (1) between needle plate and shirring foot and insert up to upper knife.
4. Place top fabric layer (2) in opening (3) flush with the bottom layer (right side to right side) and insert up to stop (4)
5. Lower the sewing foot.
6. Make a sewing test.



CORDING FOOT

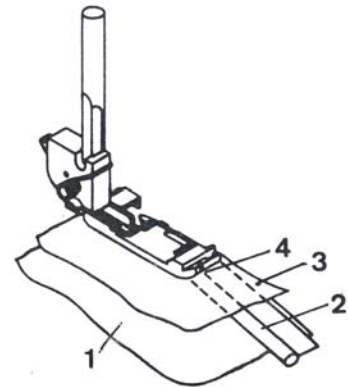
This special sewing foot is used for sewing a cording tape between two layers of fabric in one operation.

Preparing the sewing machine

Differential feed setting: set at "N" position
Stitch length: 3 to 4
Needles: two needles or left one
Thread tension: standard setting

Inserting the fabric plies

1. Raise the sewing foot.
2. Set the needle at its highest position.
3. Place bottom layer (1), cording tape (2) and top layer (3) (right side to right side) together under the sewing foot flush, and insert up to the upper knife.
4. The cording (piping) must be placed under the groove (4).
5. Lower the sewing foot.
6. Make a sewing test.



Free Manuals Download Website

<http://myh66.com>

<http://usermanuals.us>

<http://www.somanuals.com>

<http://www.4manuals.cc>

<http://www.manual-lib.com>

<http://www.404manual.com>

<http://www.luxmanual.com>

<http://aubethermostatmanual.com>

Golf course search by state

<http://golfingnear.com>

Email search by domain

<http://emailbydomain.com>

Auto manuals search

<http://auto.somanuals.com>

TV manuals search

<http://tv.somanuals.com>