

EURO-PRO X

4 SLICE TOASTER OVEN

OWNER'S MANUAL

Model TO282
120V, 60Hz., 1000 Watts



EURO-PRO OPERATING LLC
Boston, MA 02465
Tel.: 1 (800) 798-7398
www.euro-pro.com

IMPORTANT SAFETY INSTRUCTIONS

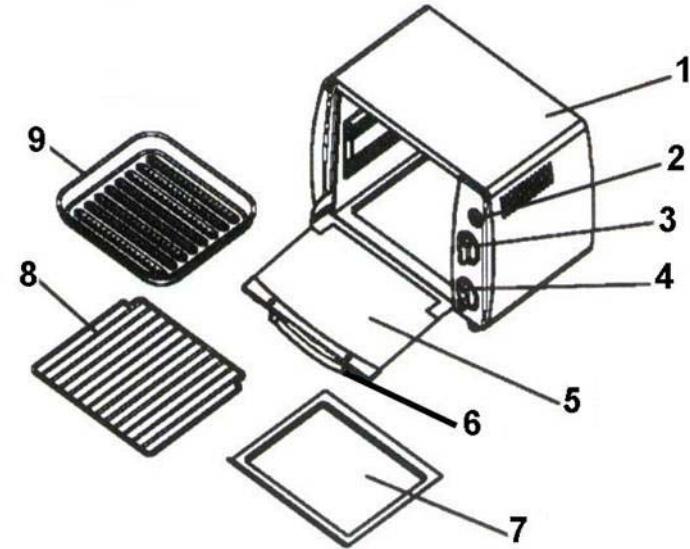
When using your **4 Slice Toaster Oven**, basic safety precautions should always be observed, including the following:

1. Read all instructions before using your **TOASTER OVEN**.
 2. Do not touch hot surfaces. Always use handles or knobs.
 3. Close supervision is necessary when any appliance is used by or near children.
 4. To protect against electric shock, do not immerse cord, plug or any parts of the oven in water or any other liquids.
 5. Do not let cord hang over edge of table or counter, or touch hot surfaces.
 6. Do not operate appliance with damaged cord or plug or after the appliance malfunctions or has been damaged in any manner. Return appliance to **EURO-PRO Operating LLC** for examination, repair or adjustment.
 7. The use of accessory attachments not recommended by the appliance manufacturer may cause hazard or injury.
 8. Do not place on or near a hot gas or electric burner.
 9. When operating the oven, keep at least four inches of free space on all sides of the oven to allow for adequate air circulation.
 10. Unplug from outlet when not in use and before cleaning. Allow to cool before putting on or taking off parts, and before cleaning.
 11. To disconnect, turn the time control button to OFF, then remove the plug. Always hold the plug, and never pull the cord.
 12. Extreme caution must be used when moving a drip pan containing hot oil or other hot liquids.
 13. Do not cover drip pan or any part of the oven with metal foil. This may cause the oven to overheat.
 14. Use extreme caution when removing the tray, racks or disposing of hot grease or other hot liquids.
 15. Do not clean the inside of the oven with metal scouring pads. Pieces can break off the pad and touch electrical parts, creating a risk of electric shock.
 16. Oversized foods or metal utensils must not be inserted in a toaster oven as they may create a fire or risk of electric shock.
 17. A fire may occur if the oven is covered or touching flammable material, including curtains, draperies, walls and the like when in operation. Do not place any items on the oven during operation.
 18. Extreme caution should be exercised when using cooking or baking containers constructed of anything other than metal or ovenproof glass.
 19. Be sure that nothing touches the top or bottom elements of the oven.
 20. Do not place any of the following materials in the oven: cardboard, plastic, paper, or any similar combustible material.
 21. Do not store any materials other than manufacturer's recommended accessories in this oven when not in use.
 22. This appliance is OFF when the Timer Control button is in the "OFF" position.
 23. Always wear protective, insulated oven gloves when inserting or removing items from the hot oven.
 24. This appliance has a tempered, safety glass door. The glass is stronger than ordinary glass and more resistant to breakage. Tempered glass can still break around the edges. Avoid scratching door surface or nicking edges.
 25. Do not use outdoors.
 26. Do not use appliance for other than intended use.
- This unit has a short power supply cord to reduce the risk resulting from becoming entangled in or tripping over a long cord. An extension cord may be used if you are careful in its use:
1. The electrical rating of the extension cord should be at least as great as the electrical rating of the appliance.
 2. An extension cord with the power cord must be arranged so that it will not drape over the countertop or tabletop where they can be pulled on by children or tripped over accidentally.

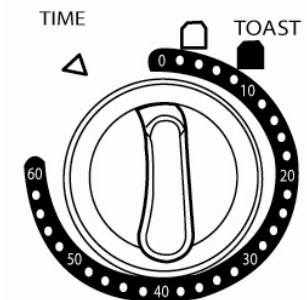
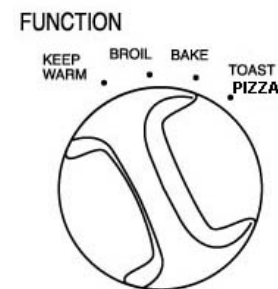
SAVE THESE INSTRUCTIONS For Household Use Only

WARNING: To reduce the risk of electric shock, this appliance has a polarized plug (one blade is wider than the other). This plug will fit in a polarized outlet only one way. If the plug does not fit fully in the outlet, reverse the plug. If it still does not fit, contact a qualified electrician to install the proper outlet. Do not modify the plug in any way.

GETTING TO KNOW YOUR TOASTER OVEN



- | | |
|------------------------------|---------------------------|
| 1. Metal Housing | 6. Cool Touch Door Handle |
| 2. Power "On" Light | 7. Crumb/Drip Pan |
| 3. Function Control Knob | 8. Wire Rack |
| 4. On/Off Timer Control Knob | 9. Bake/Broiling Tray |
| 5. Tempered Glass Door | |



Technical Specifications

Voltage: 120V., 60Hz.
Power: 1000 Watts

Read all the sections of this booklet and follow all the instructions carefully.

Using Your Toaster Oven

1. Read all of the instructions included in this manual.
2. Make sure that the oven is unplugged and the Time Control is in the "OFF" position.
3. Wash all the accessories in hot, soapy water or in the dishwasher.
4. Thoroughly dry all accessories and re-assemble in oven. Plug oven into the power outlet and you are ready to use your new Toaster Oven.
5. After re-assembling your oven, we recommend that you run it at the highest temperature function "Broil" (450° F.) on the Toast Function for approximately 15 minutes to eliminate any packing residue that may remain after shipping. This will also remove all traces of odor initially present.

Please Note: Initial start-up operation may result in minimal smell and smoke (about 15 minutes). This is normal and harmless. It is due to burning of the protective substance applied to the heating elements in the factory.

Broiling

For best results, it is recommended that you preheat the oven for 10 minutes on Broil.

Operation

- Turn Function Control Knob to Broil.
- Preheat the oven for 10 minutes.
- Place wire rack on the top wire rack support guide.
- Place the food on the broiling tray and place tray in oven.
- Food should be as close to the top heating element without touching it.
- Brush food with sauces or oil, as desired.

TOASTER OVEN FEATURES

Please familiarize yourself with the following oven functions and accessories prior to first use:

- **Function Control** - This oven is equipped with four positions for a variety of cooking needs:
 - Bake - Cakes, pies, cookies, poultry (pieces), beef, pork, etc.
 - Toast - Bread, muffins, frozen waffles, etc.
 - Broil - For broiling fish, steak, poultry, pork chops, etc.
 - Keep Warm - To keep cooked food warm for up to 30 minutes.
- **Time Control** - When you turn the control to the left, (counter-clockwise), the oven will stay "ON" until it is manually shut "OFF". To activate the timer segment of the control, turn to the right (clockwise) to toast or use as a timer. This function also has a bell that rings at the end of the programmed time.

- Turn Time Control Knob to position "Stay On".
- It is advisable to leave the door slightly ajar.
- Turn food over midway through the prescribed cooking time.
- When broiling is complete, turn the Time Control Knob to "OFF".

Note: **Cooking results may vary. Adjust times to suit your individual requirements. When broiling, check often to avoid overcooking.**

Baking

Bake your favorite cookies, cakes, pies, brownies, etc. The bakeware that will fit in your oven are up to 9 inches in length. We do not recommend the use of oven roasting bags or glass containers in the oven. **Never** use plastic, cardboard, paper or any similar material in the oven.

Note: When baking, use your discretion as to where to place the wire rack for baking.

Operation

- Place the Wire Rack on the lowest or top Rack Support Guide depending on the height of the pan or according to the recipe.
- Turn the Function Control Knob to Bake.
- Preheat the oven as directed in the recipe, approximately 10 minutes.
- Place Baking Tray with item(s) to be baked in the oven.
- Turn the Time Control Knob to "Stay On" position.
- When baking is complete, turn the Time Control Knob to "OFF".

Positioning of the Bake Rack

Cookies - Use bottom or top Support Guides.

Layer Cakes - Use bottom Support Guide only (bake one at a time).

Pies - Use bottom or top Support Guides.

Note: **Monitor food during cooking to avoid overcooking.**

Toasting

Oven allows for toasting 2 to 4 slices of bread, 4 to 6 muffins, frozen waffles or frozen pancakes. When toasting, place wire rack in the top rack support guide of the oven.

Operation

- Place the wire rack in the top rack support guide of the oven.
- Turn the Function Control Knob to Toast.
- Place food to be toasted on the wire rack.
- Ensure crumb tray is in place.
- Turn timer to desired cooking time.

Monitor food closely to avoid overcooking.

Note: Wire rack should be positioned in the top rack support guide of the oven with the indentations pointing down.

Baking Cookies

- Place wire rack in the oven.
- Preheat oven for 10 minutes, then place baking tray on the wire rack to begin baking.

Note: Baking times may differ from other ovens. Follow the package or recipe directions for baking times. **Check food often to avoid overcooking.**

Preparing & Cooking Pizza

Frozen Pizza: Bake as indicated on the package. We recommend that you use the top rack support guide and to let the frozen pizza defrost for 10 minutes before placing in the oven.

Pizza Mix: Follow instructions on the box. We recommend that you use the top rack support guide for cooking.

Pizza From Scratch: Follow recipe instructions. We recommend using the top rack support guide for cooking.

Keep Warm

Keep cooked food warm for up to 30 minutes. Longer periods of time are not recommended as food will become dry or will spoil.

Operation

- Turn the Function Control to Keep Warm.
- Turn the Time Control to "Stay On" position.
- Turn the Time Control to "Off" position when finished with Keep Warm feature.

Care & Cleaning

Warning: Be sure to unplug the oven and allow it to cool before cleaning.

To clean the oven, you may wipe the walls with a damp sponge, cloth or nylon scouring pad and mild detergent. If the oven is very soiled, you may use nylon scouring pad with an abrasive cleaner. **Do not** scrape the walls with a metal utensil, as this method may damage the oven interior.

All accessories should be washed in hot soapy water or can be cleaned in a dishwasher. The door may be wiped with a damp sponge and then wiped dry with a paper or cloth towel. Clean the outside with a damp sponge. **DO NOT USE AN ABRASIVE CLEANER AS IT MAY DAMAGE THE EXTERIOR FINISH.**

LET ALL PARTS AND SURFACES DRY THOROUGHLY PRIOR TO PLUGGING OVEN IN AND USING.

Model
TO282

EURO-PRO

ONE (1) YEAR LIMITED WARRANTY

EURO-PRO Operating LLC warrants this product to be free from defects in material and workmanship for a period of one (1) year from the date of the original purchase, when utilized for normal household use, subject to the following conditions, exclusions and exceptions.

If your appliance fails to operate properly while in use under normal household conditions within the warranty period, return the complete appliance and accessories, freight prepaid. For Customer Service support, call 1 (800) 798-7398 or visit our website www.euro-pro.com.

If the appliance is found to be defective in material or workmanship, **EURO-PRO Operating LLC** will repair or replace it free of charge. Proof of purchase date and \$ 12.95 to cover the cost of return shipping and handling must be included. *

The liability of **EURO-PRO Operating LLC** is limited solely to the cost of the repair or replacement of the unit at our option. This warranty does not cover normal wear of parts and does not apply to any unit that has been tampered with or used for commercial purposes. This limited warranty does not cover damage caused by misuse, abuse, negligent handling or damage due to faulty packaging or mishandling in transit. This warranty does not cover damage or defects caused by or resulting from damages from shipping or repairs, service or alterations to the product or any of its parts, which have been performed by a repair person not authorized by **EURO-PRO**.

This warranty is extended to the original purchaser of the unit and excludes all other legal and/or conventional warranties. The responsibility of **EURO-PRO Operating LLC** if any, is limited to the specific obligations expressly assumed by it under the terms of the limited warranty. **In no event is EURO-PRO Operating LLC** liable for incidental or consequential damages of any nature whatsoever. Some states/provinces do not permit the exclusion or limitation of incidental or consequential damages, so the above may not apply to you.

This warranty gives you specific legal rights, and you may also have other rights which vary from state to state or province to province.

***Important: Carefully pack item to avoid damage in shipping. Be sure to include proof of purchase date and to attach tag to item before packing with your name, complete address and phone number with a note giving purchase information, model number and what you believe is the problem with item. We recommend you insure the package (as damage in shipping is not covered by your warranty). Mark the outside of your package "ATTENTION CUSTOMER SERVICE". We are constantly striving to improve our products, therefore the specifications contained herein are subject to change without notice.**



PRODUCT REGISTRATION CARD FOR CANADIAN CONSUMERS ONLY

Please complete and return within ten (10) days of purchase. The registration will enable us to contact you in the event a product defect is discovered. By returning this card you acknowledge to have read and understood the instructions for use, and warnings set forth in the accompanying instructions.

RETURN TO: **EURO-PRO Operating LLC**, 4400 Bois Franc, St. Laurent, Quebec H4S 1A7

TO282

Appliance Model

Date of Purchase

Name of store

Owner's name

Address

City

Prov.

Postal Code

Free Manuals Download Website

<http://myh66.com>

<http://usermanuals.us>

<http://www.somanuals.com>

<http://www.4manuals.cc>

<http://www.manual-lib.com>

<http://www.404manual.com>

<http://www.luxmanual.com>

<http://aubethermostatmanual.com>

Golf course search by state

<http://golfingnear.com>

Email search by domain

<http://emailbydomain.com>

Auto manuals search

<http://auto.somanuals.com>

TV manuals search

<http://tv.somanuals.com>