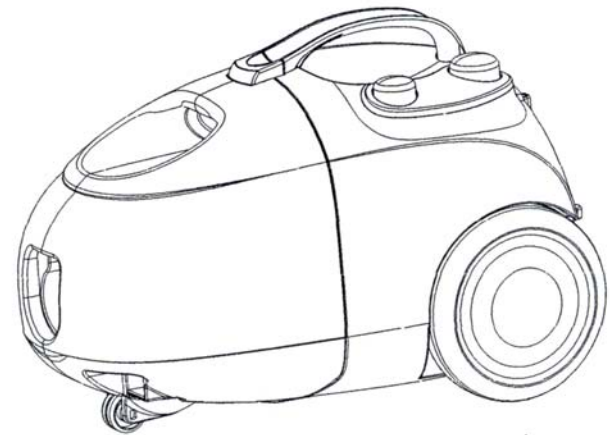




Bagless Shark
Compact Canister Vacuum
Model EP76
Use and Care Instructions



For information or assistance:

USA: EURO-PRO Operating LLC
21 Lawrence Paquette Industrial Drive
Champlain, NY 12919
Tel.: 800-798-7398
www.sharkvac.com



ONE (1) YEAR LIMITED WARRANTY

EURO-PRO OPERATING LLC warrants this product to be free from defects in material and workmanship for a period of one (1) year from the date of the original purchase, when utilized for normal household use, subject to the following conditions, exclusions and exceptions.

If your appliance fails to operate properly while in use under normal household conditions within the warranty period, return the complete appliance and accessories, freight prepaid to **EURO-PRO Operating LLC**, 21 Lawrence Paquette Industrial Drive, Champlain, N.Y. 12919. If the appliance is found by **EURO-PRO Operating LLC** to be defective in material or workmanship, **EURO-PRO Operating LLC** will repair or replace it free of charge. Proof of purchase date and \$9.85 to cover the cost of return shipping and handling must be included. *

Non-durable parts including, without limitation, dust cup filters, filters, brushes and electrical parts which normally require replacement are specifically excluded from warranty.

The liability of **EURO-PRO Operating LLC** is limited solely to the cost of the repair or replacement of the unit at our option. This warranty does not cover normal wear of parts and does not apply to any unit that has been tampered with or used for commercial purposes. This limited warranty does not cover damage caused by misuse, abuse, negligent handling or damage due to faulty packaging or mishandling in transit. This warranty does not cover damage or defects caused by or resulting from damages from shipping or repairs, service or alterations to the product or any of its parts, which have been performed by a repair person not authorized by **EURO-PRO Operating LLC**.

This warranty is extended to the original purchaser of the unit and excludes all other legal and/or conventional warranties. The responsibility of **EURO-PRO Operating LLC** if any, is limited to the specific obligations expressly assumed by it under the terms of the limited warranty. **In no event is EURO-PRO Operating LLC** liable for incidental or consequential damages of any nature whatsoever. Some states do not permit the exclusion or limitation of incidental or consequential damages, so the above may not apply to you.

This warranty gives you specific legal rights, and you may also have other rights which vary from state to state.

***Important: Carefully pack item to avoid damage in shipping. Be sure to include proof of purchase date and to attach tag to item before packing with your name, complete address and phone number with a note giving purchase information, model number and what you believe is the problem with item. We recommend you insure the package (as damage in shipping is not covered by your warranty). Mark the outside of your package "ATTENTION CUSTOMER SERVICE".**



OWNERSHIP REGISTRATION CARD

Please fill out and mail the product registration card within ten (10) days of purchase in order to validate the foregoing Limited Warranty. The registration will enable us to contact you in the unlikely event of a product safety notification. By returning this card you acknowledge to have read and understood the instructions for use, and warnings set forth in the accompanying instructions.

RETURN TO **EURO-PRO OPERATING LLC**, 21 LAWRENCE PAQUETTE IND. DR., CHAMPLAIN, N.Y. 12919
IN CANADA: **EURO-PRO OPERATING LLC**, 4400 BOIS FRANC, ST. LAURENT, QUEBEC, H4S 1A7

EP76

Appliance model

Date purchased

Name of store

Owner's name

Address

City

Prov./State

Postal code/Zip Code

Printed in China

IMPORTANT SAFEGUARDS

When using an electrical appliance, basic safety precautions should always be observed, including the following:

READ ALL INSTRUCTIONS BEFORE USING YOUR VACUUM CLEANER.

WARNING: To reduce the risk of fire, electrical shock, or injury:

1. Do not leave vacuum cleaner unattended when it is plugged in. Unplug from outlet when not in use and before changing bags or filters.
2. To reduce the risk of electric shock – do not use outdoors or on wet surfaces.
3. Do not allow children to use as a toy. Close attention is necessary when used by or near children.
4. Use only as described in this manual. Use only manufacturer's recommended attachments.
5. Do not use with damaged cord or plug. Do not use vacuum cleaner if it has been dropped, damaged, left outdoors, or dropped into water. Return appliance to **EURO-PRO Operating LLC** for examination, repair or adjustment.
6. Do not pull or carry by cord. Do not use cord as a handle, close a door on cord, or pull cord around sharp edges or corners. Do not run appliance over cord. Keep cord away from heated surfaces.
7. Do not unplug by pulling on cord. To unplug, grasp the plug, not the cord.
8. Do not handle plug or vacuum cleaner with wet hands. Do not use outdoors or on wet surfaces.
9. Do not put any objects into openings. Do not use with any opening blocked and do not restrict airflow. Keep all openings free of dust, lint, hair, and anything that may reduce airflow.
10. Keep hair, loose clothing, fingers, and all parts of body away from openings and moving parts.
11. Do not pick up hot coals, cigarette butts, matches or any hot, smoking, or burning objects.
12. Do not pick up hard or sharp objects such as glass, nails, screws, coins, etc.
13. Do not use without dust bag and/or filters in place.
14. Turn off all controls before plugging or unplugging vacuum cleaner.
15. Use extra care when vacuuming on stairs.
16. Do not pick up flammable or combustible materials (lighter fluid, gasoline, kerosene, etc.) or use in the presence of explosive liquids or vapor.
17. Do not pick up toxic material (chlorine bleach, ammonia, drain cleaner, etc.).
18. Do not use in an enclosed space filled with vapors given off by oil based paints, paint thinner, moth proofing substances, flammable dust, or other explosive or toxic vapors.
19. Always unplug this appliance before connecting or disconnecting vacuum hose. Do not allow plug to whip when rewinding.
20. Use only on dry, indoor surfaces.
21. Do not use for any purpose other than described in this user's guide.

TO ORDER REPLACEMENT DUST CUP FILTERS, FILTERS or for Customer Service Model EP76

To order additional Dust Cup Filters or Filters:

Call **EURO-PRO Operating LLC** Customer Service: 800-798-7398

Monday to Friday 8:30 A.M. - 5:00 P.M. Eastern Standard Time

or

visit our website at: www.sharkvac.com

Please Note:

The Dust Cup Filters and the filter for the grill-filter are washable.

Important:

Make sure that both the Dust Cup Filter and the Filter for the Grill-Filter are completely dry before inserting back in the vacuum.

IMPORTANT

PLEASE NOTE THAT THE MICRO-EXHAUST
FILTER IS NOT WASHABLE

IMPORTANT NOTICE

This appliance has a polarized plug (one blade is wider than the other). To reduce the risk of electric shock, this plug will fit in a polarized outlet only one way. If the plug does not fit fully in the outlet, reverse the plug. If it still does not fit, contact a qualified electrician. Do not modify the plug in any way.

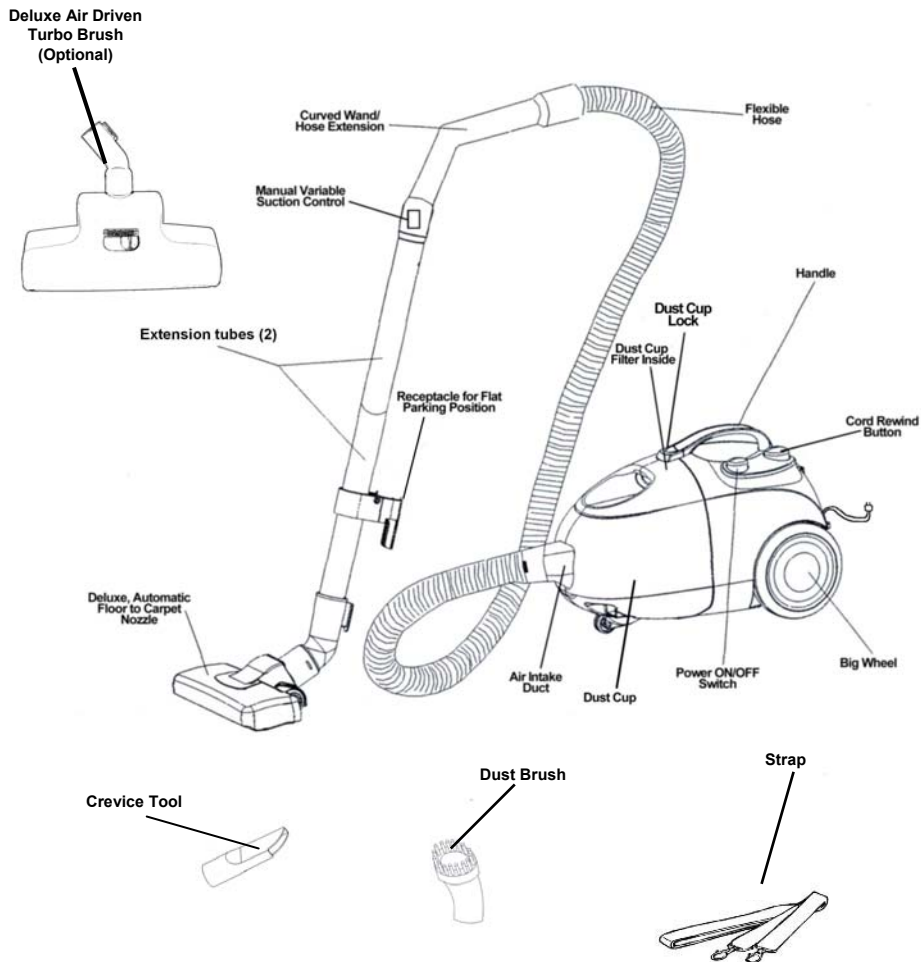
**SAVE THESE INSTRUCTIONS
FOR HOUSEHOLD USE ONLY**

EURO-PRO X™

Bagless Shark Model EP76

120 V., 60Hz., 1200 W.

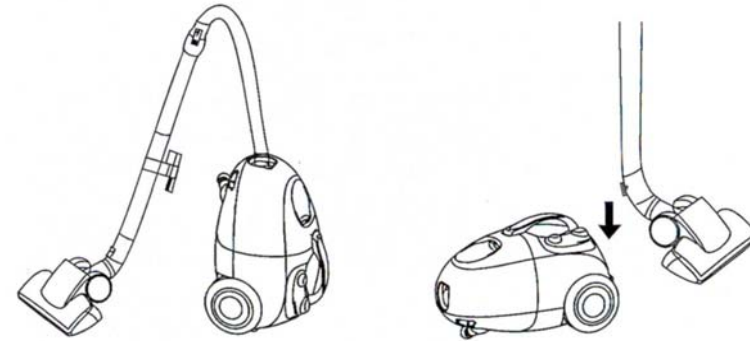
Main Components



Flat & Upright Parking Position

Please note that your vacuum cleaner can be conveniently placed in a space saving vertical parking position or in a convenient flat parking position.

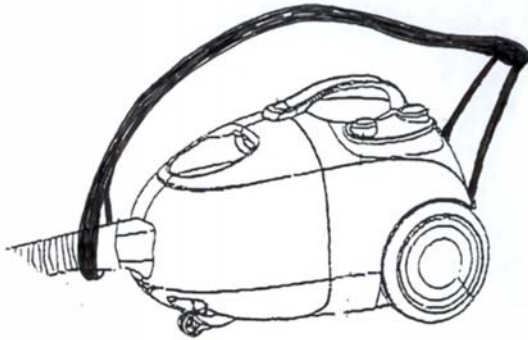
1. Place unit on its side. Slide floor nozzle into locking position with receptacle which rests on top of unit.
2. While laying flat on 3 wheels, slide floor nozzle into locking position with receptacle which rests on the rear side of the unit.



Attaching the Shoulder Strap

Use the hooks to attach the shoulder strap to the vacuum cleaner.

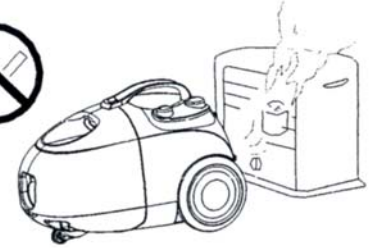
First pass the flexible hose through the loop of the shoulder strap and then attach the two hooks to the strap hookup holes at the bottom of the vacuum cleaner as shown in illustration below.



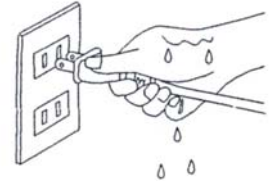
Precautionary Measures

IMPORTANT: If the suction opening in the unit, the hose or the chrome telescopic tube are **BLOCKED**, switch off the vacuum cleaner and remove the blocking substance before you start the unit again.

1. Do not operate the vacuum cleaner to close to heaters, radiators or cigarette butts.

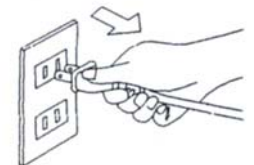


2. Before inserting the power plug into the wall outlet, make sure that your hands are dry.



3. Before you start vacuuming, make sure to remove large or sharp objects that might damage the dust cup filter.

4. When pulling out the power plug from the wall outlet, pull the plug not the power cord.



5. Do not pick up anything that is burning or smoking such as cigarettes, matches or hot ashes.
6. Do not use without dust bag and / or filters in place.

NOTE: This vacuum cleaner is equipped with a plug and power cord that retract automatically. If the cord or plug get damaged, it must be replaced by a qualified technician.

Warning: Hold the plug when rewinding the cord. Do not allow the cord to whip when rewinding.

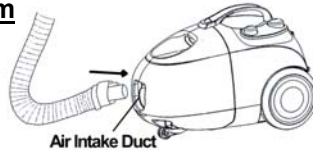
Assembling Your Vacuum Cleaner

NOTE: Always remove the power plug from the wall outlet before assembling or removing accessories.

1. Attaching the Flexible Hose into the Vacuum

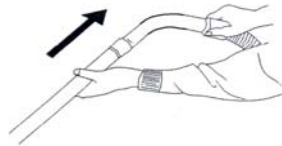
Connect the flexible hose into the air intake duct. Push in until you hear a “click”, indicating it is in its position.

To remove the flexible hose, reverse the operation.



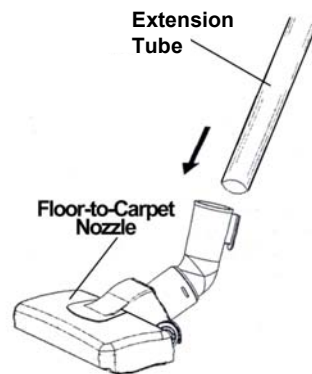
2. Fitting the Extension Tube to the Curved Wand / Hose Extension

Push the extension tube into the curved wand / hose extension, as shown in the illustration.

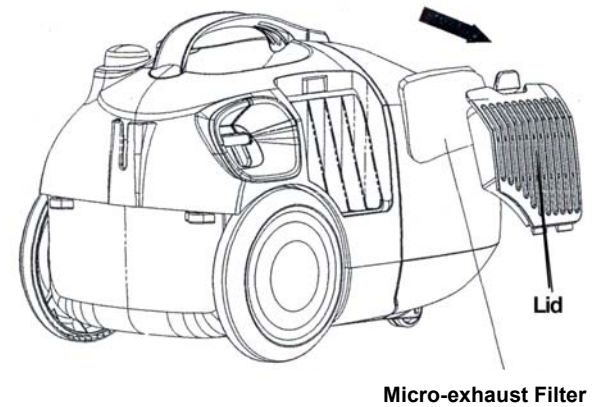


Fitting the Floor Brush to the Extension Tube

Push the extension tube into the Floor brush, as shown in the illustration.



Changing the Micro-Exhaust Filter



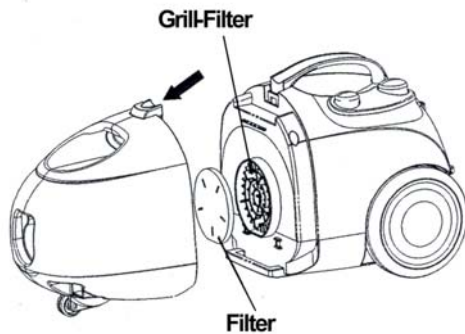
1. Open the lid.
2. Remove the used micro-exhaust filter.
3. Insert a new micro-exhaust filter.
4. Close the lid.

Motor Thermostat

IMPORTANT: This motor is equipped with a heat sensitive thermostat. If for some reason the vacuum cleaner will overheat, it will then stop working automatically. When the motor will cool off, the unit will restart by itself.

Changing and Cleaning the Filter

- Filter should be cleaned at least twice a year or when it becomes visible solid.
- Always operate the cleaner with the filter installed.
- Disconnect from electrical outlet before cleaning the filter.
- Do not use a washing machine to rinse the filter.
- Do not use a hair dryer to dry it.



1. Push the dust cup lock to open the dust cup.
2. Remove the filter from the grill-filter.
3. Rinse filter in lukewarm water and dry the filter completely.

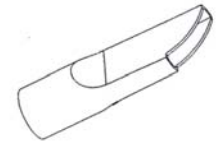


4. Put the filter into the grill-filter.
5. A severely solid or clogged filter should be thoroughly washed with fresh tepid water. A mild detergent can be used if required.

Using the Cleaning Tools

1. Crevice Tool

For radiators, crevices, corners, baseboards and between cushions.



2. Dusting Brush

The dusting brush is used for the furniture, venetian blinds, books, lamp shades and shelves.

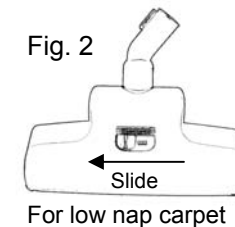
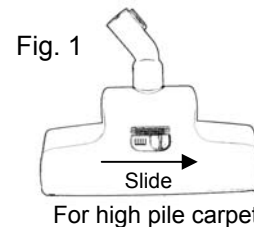


Deluxe Air Driven Turbo Brush (Optional)

The Deluxe Air Driven Turbo Brush is a deluxe floor attachment with a rotating brush turned by the air flow of the vacuum cleaner. The Turbo Brush is used for cleaning high pile carpets or whenever agitation of the carpet fibers is required. The Turbo Brush should **NOT** be used on hard floors.

Using the Deluxe Air Driven Turbo Brush (Optional)

- Turn off the vacuum and unplug from wall outlet.
- Attach the Deluxe Air Driven Turbo Brush to the telescopic tube.
- Re-plug the vacuum into the wall outlet and start the vacuum. Beater bar on the Air Driven Turbo Brush will begin to rotate and will continue to operate as long as the vacuum is "ON".
- The Air Driven Turbo Brush is adjustable for carpet nap. To adjust for high pile carpet, move the slide control on top of the brush housing as shown in Fig. 1.
- For low nap adjust the slide control as shown in fig. 2.

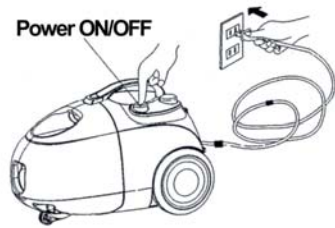


WARNING: The beater brush of this floor attachment rotates very fast. To avoid injury, **DO NOT TOUCH** the beater brush with fingers while the brush is rotating.

Instructions for Use

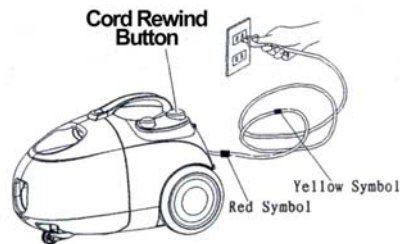
NOTE: Before using the appliance, unwind a sufficient length of cable and Insert the plug into the wall socket. A yellow mark on the power cord shows the ideal cable length. Don't pull the power cord beyond the red mark.

1. Insert the power plug into the wall outlet.



2. Press the Power On/Off Switch to activate the vacuum cleaner.

3. To rewind the power cord, press the cable rewind button with one hand and guide the power cord with the other hand to ensure that it does not whip causing damage.

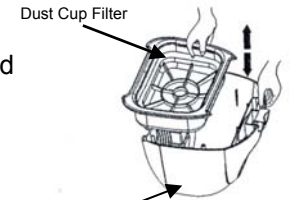


Removing the Dust Cup Filter

1. Push the Power On/Off switch to disconnect the power.
2. Remove the flexible hose (see page 5).
3. Push the dust cup lock and open the dust cup.



4. Pull up the dust cup filter and shake down and up. Take the dust cup filter out of the dust cup, do not let the dust fall out.



5. Take out the dust cup and dispose of the dust inside.



Caution:

If the dust is tightly packed and difficult to remove, lightly tap the front cover.

6. Insert the dust cup filter into the dust cup.



7. Attach the dust cup to the vacuum by pressing together until it is locked.



8. Reassemble the unit.

Free Manuals Download Website

<http://myh66.com>

<http://usermanuals.us>

<http://www.somanuals.com>

<http://www.4manuals.cc>

<http://www.manual-lib.com>

<http://www.404manual.com>

<http://www.luxmanual.com>

<http://aubethermostatmanual.com>

Golf course search by state

<http://golfingnear.com>

Email search by domain

<http://emailbydomain.com>

Auto manuals search

<http://auto.somanuals.com>

TV manuals search

<http://tv.somanuals.com>