

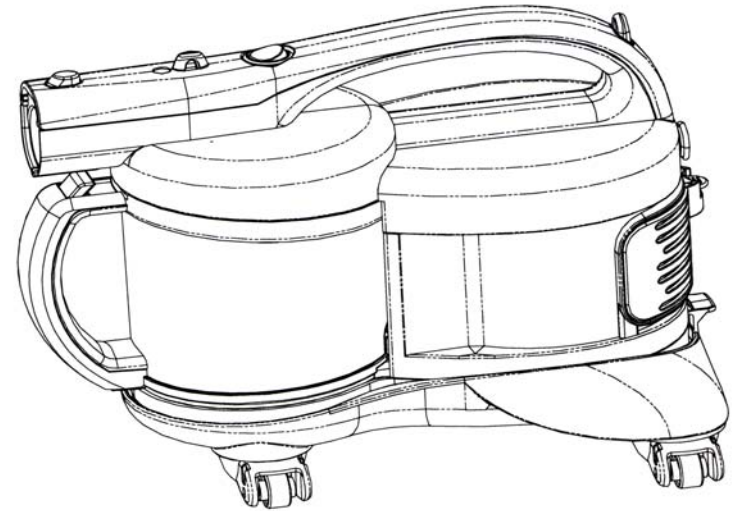


OWNER'S MANUAL

Model HV118H

120V., 60Hz., 8.33 Amps

Mini Canister with Caddy



For information or assistance:

EURO-PRO Operating LLC

94 Main Mill Street, Door 16

Plattsburgh, NY 12901

Tel: (800) 798-7398

ONE (1) YEAR LIMITED WARRANTY

EURO-PRO Operating LLC warrants this product to be free from defects in material and workmanship for a period of one (1) year from the date of the original purchase, when utilized for normal household use, subject to the following conditions, exclusions and exceptions.

If your appliance fails to operate properly while in use under normal household conditions within the warranty period, return the complete appliance and accessories, freight prepaid to **EURO-PRO Operating LLC**, 94 Main Mill Street, Door 16, Plattsburgh, NY 12901. If the appliance is found to be defective in material or workmanship, **EURO-PRO Operating LLC** will repair or replace it free of charge. Proof of purchase date and \$ 11.95 to cover the cost of return shipping and handling must be included. *

Non-durable parts including, without limitation, filters, brushes and electrical parts which normally require replacement are specifically excluded from warranty.

The liability of **EURO-PRO Operating LLC** is limited solely to the cost of the repair or replacement of the unit at our option. This warranty does not cover normal wear of parts and does not apply to any unit that has been tampered with or used for commercial purposes. This limited warranty does not cover damage caused by misuse, abuse, negligent handling or damage due to faulty packaging or mishandling in transit. This warranty does not cover damage or defects caused by or resulting from damages from shipping or repairs, service or alterations to the product or any of its parts, which have been performed by a repair person not authorized by **EURO-PRO Operating LLC**.

This warranty is extended to the original purchaser of the unit and excludes all other legal and/or conventional warranties. The responsibility of **EURO-PRO Operating LLC** if any, is limited to the specific obligations expressly assumed by it under the terms of the limited warranty. **In no event is EURO-PRO Operating LLC** liable for incidental or consequential damages of any nature whatsoever. Some states do not permit the exclusion or limitation of incidental or consequential damages, so the above may not apply to you.

This warranty gives you specific legal rights, and you may also have other rights which vary from state to state.

***Important:** Carefully pack item to avoid damage in shipping. Be sure to include proof of purchase date and to attach tag to item before packing with your name, complete address and phone number with a note giving purchase information, model number and what you believe is the problem with item. We recommend you insure the package (as damage in shipping is not covered by your warranty). Mark the outside of your package "ATTENTION CUSTOMER SERVICE". We are constantly striving to improve our products, therefore the specifications contained herein are subject to change without notice.



OWNERSHIP REGISTRATION CARD

Please fill out and mail the product registration card within ten (10) days of purchase. The registration will enable us to contact you in the unlikely event of a product safety notification. By returning this card you acknowledge to have read and understood the instructions for use, and warnings set forth in the accompanying instructions.

RETURN TO: EURO-PRO Operating LLC, 94 Main Mill Street, Door 16, Plattsburgh, NY 12901

Model HV118H

Appliance model

Date purchased Name of store

Owner's name

Address City State Zip Code

TROUBLE SHOOTING GUIDE

PROBLEM	POSSIBLE REASON	POSSIBLE SOLUTION
VACUUM WILL NOT OPERATE	<ol style="list-style-type: none"> 1. Power cord not firmly plugged into outlet. 2. No power in wall outlet. 3. Needs servicing. 4. Thermostat has tripped. 	<ol style="list-style-type: none"> 1. Plug unit in firmly. 2. Check fuse or breaker. Replace fuse/reset breaker. 3. Call 1-800-798-7398. 4. Turn the unit off and unplug from outlet. Allow unit to cool down, then restart.
VACUUM WILL NOT PICK-UP OR SUCTION POWER IS WEAK	<ol style="list-style-type: none"> 1. Dust cup is full. 2. Unit clogged. 3. Dust Cup Filter needs cleaning or replacing. 4. Flexible Hose/Extension Tubes clogged 	<ol style="list-style-type: none"> 1. Empty and clean dust cup. Turn unit off and unplug from wall outlet. Remove Dust Cup Filter and check for object(s) in air duct and remove. 2. Clean or replace Dust Cup Filter. 3. Turn unit off and unplug from wall outlet. Check for objects in deluxe hose/extension tube.
TURBO BRUSH DOES NOT ROTATE OR ROTATES SLOWLY	<ol style="list-style-type: none"> 1. Dust cup full. 2. Rotating brush or elbow obstructed. 3. Belt broken. 4. Hose obstructed. 5. Dust cup filter clogged. 	<ol style="list-style-type: none"> 1. Empty and clean dust cup. 2. Clear obstructions. 3. Call 1-800-798-7398. 4. Clear obstruction. 5. Clean or replace dust cup filter.
DUST ESCAPING FROM VACUUM	<ol style="list-style-type: none"> 1. Dust cup is full. 2. Dust Cup Filter is not installed correctly. 3. There is a puncture/hole in Dust Cup Filter. 	<ol style="list-style-type: none"> 1. Empty and clean dust cup. 2. Review Dust Cup Filter instructions. 3. Replace Dust cup filter.
VACUUM, HOSE OR BRUSHES WILL NOT PICK-UP	<ol style="list-style-type: none"> 1. Hose clogged. 2. Dust cup is full. 	<ol style="list-style-type: none"> 1. Remove hose and/or brushes. Remove obstruction from hose and /or brush. 2. Empty and clean dust cup.

FOR REPLACEMENT FILTER INFORMATION or for Technical Support for Model HV118H

Call Customer Service: 1 - 800 -798-7398
Monday to Friday 8:30 A.M. - 5:00 P.M. Eastern Standard Time

Please Note:

The HEPA Dust Cup Filter is washable. It should, however, be replaced every six (6) months to ensure peak performance of your vacuum. The Exhaust Filter is washable. It should however be replaced every three (3) months to ensure peak performance of your vacuum.

Important:

Make sure that **ALL** filters are completely dry (air dry only for 24 hours) before re-installing back in the mini canister vacuum.

IMPORTANT SAFETY INSTRUCTIONS

When using your *Mini Canister* vacuum, basic safety precautions should always be observed, including the following:

- WARNING:** To reduce the risk of fire, electrical shock, or injury:
1. Do not leave vacuum cleaner unattended when it is plugged in. Unplug from outlet when not in use and before cleaning or servicing.
 2. To reduce the risk of electric shock – do not use outdoors or on wet surfaces.
 3. Do not allow children to use as a toy. Close attention is necessary when used by or near children.
 4. Use only as described in this manual. Use only manufacturer's recommended attachments.
 5. Do not use with damaged cord or plug. Do not use vacuum cleaner if it has been dropped, damaged, left outdoors, or dropped into water. Return appliance to **EURO-PRO Operating LLC** for examination, repair or adjustment.
 6. Do not pull or carry by cord. Do not use cord as a handle, close a door on cord, or pull cord around sharp edges or corners. Do not run appliance over cord. Keep cord away from heated surfaces.
 7. Do not unplug by pulling on cord. To unplug, grasp the plug, not the power cord.
 8. Do not handle plug or vacuum cleaner with wet hands. Do not use outdoors or on wet surfaces.
 9. Do not put any objects into openings. Do not use with any opening blocked and do not restrict airflow. Keep all openings free of dust, lint, hair, and anything that may reduce airflow.
 10. Keep hair, loose clothing, fingers and all parts of body away from openings and moving parts.
 11. Do not pick up hot coals, cigarette butts, matches or any hot, smoking, or burning objects.
 12. Do not pick up hard or sharp objects such as glass, nails, screws, coins, etc.
 13. Do not use without all filters in place.
 14. Turn off all controls before plugging or unplugging vacuum cleaner.
 15. Use extra care when vacuuming on stairs.
 16. Do not pick up flammable or combustible materials (lighter fluid, gasoline, kerosene, etc.) or use in the presence of explosive liquids or vapor.
 17. Do not pick up toxic material (chlorine bleach, ammonia, drain cleaner, etc.).
 18. Do not use in an enclosed space filled with vapors given off by oil based paints, paint thinner, moth proofing substances, flammable dust, or other explosive or toxic vapors.
 19. Always unplug this appliance before connecting or disconnecting vacuum hose.
 20. Use only on dry, indoor surfaces.
 21. Do not use for any purpose other than described in this user's guide.
 22. Use **only** extension cords UL-rated or cUL at 15 amperes. extension cords rated for less amperage may overheat. Care should be taken to arrange the cord so that the cord cannot be pulled or tripped over.
 23. Store your appliance indoors in a cool, dry area.
 24. Keep your work area well lit.
 25. **Do not** immerse the mini canister into water or other liquids.
 26. Keep end of hose, wands and other openings away from your face and body.

SAVE THESE INSTRUCTIONS For Household Use Only



WARNING: To reduce the risk of electric shock, this appliance has a polarized plug (one blade is wider than the other). This plug will fit in a polarized outlet only one way. If the plug does not fit fully in the outlet, reverse the plug. If it still does not fit, contact a qualified electrician to install the proper outlet. Do not modify the plug in any way.

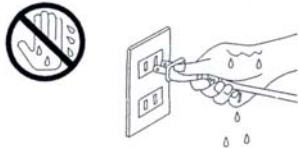
PRECAUTIONARY MEASURES

Important: If the suction opening in the unit, the hose or the extension tubes become blocked, switch off the vacuum cleaner and remove the blocking substance before you start the unit again.

1. Do not operate the vacuum cleaner to close too heaters, or radiators.



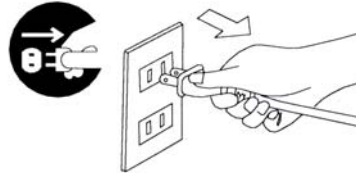
2. Before inserting the power plug into the wall outlet, make sure that your hands are dry.



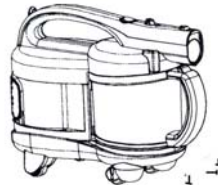
3. Do not vacuum any liquids.
4. Keep hair, loose clothing, fingers, feet and all parts of body away from openings.



5. When pulling out the power plug from the wall outlet, pull the plug not the power cord.



6. Do not pick up anything that is burning or smoking such as cigarettes, matches or hot ashes.
7. Do not use without dust cup filter or exhaust filter in place.
8. Before you start vacuuming, make sure to remove large or sharp objects that might damage the vacuum.

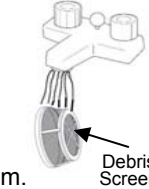


OPERATING INSTRUCTIONS

5. Vigorously "TapClean" the HEPA Dust Cup Filter on a hard surface until no more dust is observed falling out from between the pleats of the filter.



6. "TapClean" the Debris Screen under a faucet until clean. Remember that the Debris Screen must be completely air dried for 24 hours before reinstalling in the vacuum.

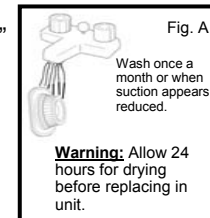


7. To re-assemble the HEPA filter assembly, first insert the HEPA filter onto the dust cup cover making sure to push it all the way in. Then insert the debris screen again making sure that it is pushed all the way up against the dust cup cover.

8. When replacing the dust cup cover with the HEPA filter assembly into the dust cup, make sure that the tab on the dust cup cover is fully aligned with the tab indentation on the dust cup handle otherwise the seal will not be complete and the unit will not function properly.



PLEASE NOTE: The white pleated filter material in the HEPA Dust Cup Filter will discolor over time -This is NORMAL and will NOT affect the performance of the filter. If the HEPA Dust Cup Filter is properly "TapCleaned" after each use and suction does not return to 100%, then we suggest that the HEPA filter be "TapCleaned" vigorously until no more dust can be removed, then rinsed under the faucet and allowed to air dry for 24 hours before refitting into the vacuum. (Fig. A) Wash once a month or when suction appears reduced.



CAUTION: The suction hole must be open, free of any obstructions at all times. Otherwise, the motor will overheat and could become damaged.

Intelli-Sense Filter Monitor™

When the Intelli-Sense Filter Monitor™ lights up, it means that the dust cup is full or filter needs cleaning. You must empty the dust from the dust cup and clean the HEPA dust cup filter right away.

Changing & Cleaning the Exhaust Filter

The exhaust filter is a washable filter but should be replaced every three (3) months depending on usage.

1. Remove the exhaust filter cover from the rear of the unit.
2. Rinse the exhaust filter in lukewarm water and dry the filter completely. Do not use a washing machine to rinse the filter. Do not use a hair dryer to dry it. Air dry **ONLY** for 24 hours. Never operate the vacuum without the exhaust filter in place.
3. When the filter is dry, replace into the unit and replace the exhaust filter cover over it.
4. A severely soiled or clogged filter should be thoroughly washed with fresh tepid water. A mild detergent can be used if required.



Motor Thermostat

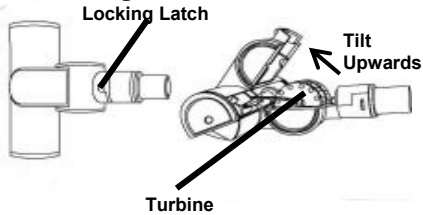
IMPORTANT: This unit is equipped with a motor protective thermostat. If for some reason the vacuum cleaner should overheat, the thermostat will automatically turn the unit off. Should this occur:

- Push the On/Off button once.
- Disconnect the plug from the power source.
- Check the source of overheating problem. (i.e. clogged hose or filter)
- If clogged hose or filter is found, unclog the hose and replace the filter.
- Wait at least 45 minutes before attempting to reuse the vacuum.
- After unit has cooled down for 45 minutes, plug in the cleaner and push the On/Off button. The vacuum should start again.
- If the vacuum still does not start, contact customer service at 1 (800) 798-7398.

OPERATING INSTRUCTIONS

IMPORTANT: In order to ensure that maximum air suction is maintained, empty the dust cup frequently and shake out the HEPA filter and Debris Screen at the same time. Ensure that the rotating brush is kept free of hair and string which may accumulate and decrease brush performance.

Cleaning Air Driven Turbo Brush



From time to time, the turbine of your turbo brush will require cleaning. To do this:

1. Remove the turbo brush from the hose or telescopic extension tube.
2. Slide locking latch forward then tilt the top housing of the brush upwards. The top housing is hinged and will tilt up approximately 45° only.
3. There may be some dust, lint, hair, etc on the turbine wheel. Remove as much of this as possible.
4. You may also use the unit's hose with crevice tool attached and use the vacuum to remove any additional debris from the turbine.
5. Ensure that the turbine wheel moves freely by rotating it with your finger. If the turbine does not rotate, call Customer Service for help.
6. Once clean, close the top cover of the turbo brush and slide the locking latch toward the rear of the brush to lock.

Cleaning & Changing the HEPA Dust Cup Filter

WARNING: Always unplug the unit from electrical outlet before opening the Dust Cup (container).

IMPORTANT: Do **NOT** use the HEPA dust cup filter without the debris screen in place.

WARNING: After each Use - Always remove the Filter Debris Screen from the HEPA Dust Cup Filter, then vigorously "TapClean" HEPA Filter until no more dust can be removed.

IMPORTANT, Please Note : The "TapClean" Rinseable HEPA Dust Cup Filter & Debris Screen will stop most of the tiniest dust particles from re-entering the air you breathe. In fact it stops 99.97% of all particles as small as 0.3 microns - many times smaller than a human hair!!! Because of this incredible filtration performance, the HEPA Dust Cup Filter will quickly accumulate, inside the white filter folds, many fine dust particles that are difficult to see but which will eventually block or reduce your suction power - if not cleaned properly. Clean the HEPA Filter and Debris Screen after each use as described in this section.

1. To open the Dust Cup (container), push the dust cup release button and pull out the Dust Cup (container).



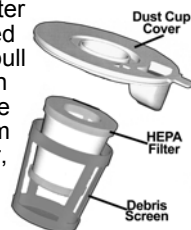
2. Press the dust cup trap door release button to empty the dirt into a trash can.



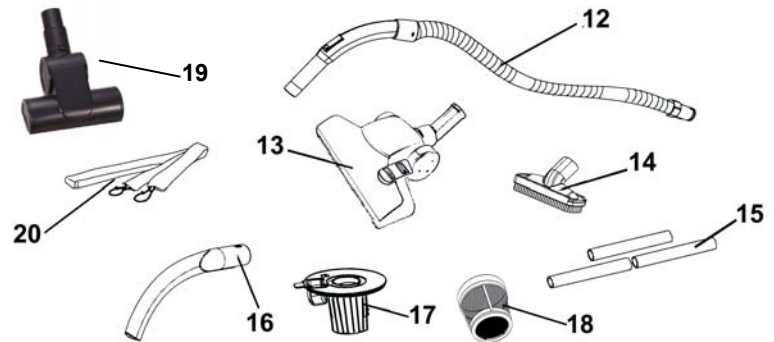
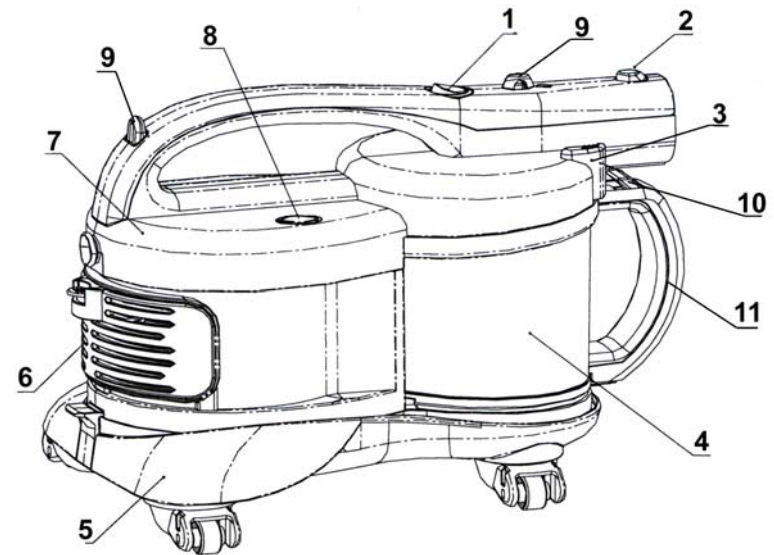
3. To remove the HEPA filter from the dust cup container hold the dust cup in one hand and insert one finger of your other hand into the inlet hole on the dust cup cover and pull it up.



4. When the HEPA Filter assembly is removed from the dust cup, pull off the debris screen first. Then to remove the HEPA Filter from the Dust Cup Cover, hold the HEPA filter with one hand and with the other hand pull the dust cup cover up.



GETTING TO KNOW YOUR MINI CANISTER VACUUM



- | | |
|---------------------------------------|--|
| 1. On/Off Power Switch | 11. Dust Cup Handle |
| 2. Hose Release Button | 12. Flexible Hose |
| 3. Dust Cup Release Button | 13. Floor Brush |
| 4. Dust Cup (Container) | 14. Deluxe Brush With Removable Bristles |
| 5. Caddy | 15. Extension Tubes (x3) |
| 6. Exhaust Filter Cover | 16. Crevice Tool |
| 7. Main Unit | 17. HEPA Dust Cup Filter |
| 8. Intelli-Sense Filter Monitor™ | 18. Debris Screen |
| 9. Shoulder Strap Attachment Points | 19. Air Driven Turbo Brush |
| 10. Dust Cup Trap Door Release Button | 20. Shoulder Strap |

Illustrations may differ from actual product.

Technical Specifications

Voltage: 120V., 60Hz.
Power: 8.33 Amps

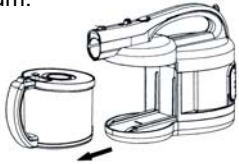
OPERATING INSTRUCTIONS

Warning: Always unplug from electrical outlet before opening the dust cup (container).

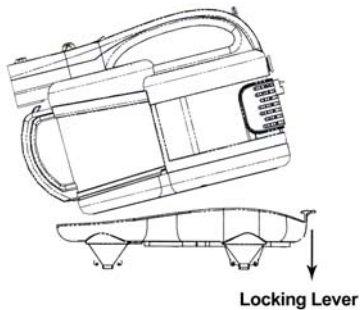
Note: HEPA dust cup filter must be used when operating the hand vacuum.

Using The Unit As A Hand Vacuum

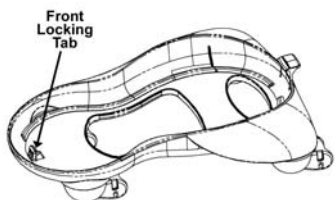
1. To open the dust cup (container), push the dust cup release button and pull out the dust cup. Verify that the HEPA dust cup filter is inside, then re-attach the dust cup (container) to the hand vacuum.



2. You have the option of using the Mini Canister Vacuum as a hand held vacuum or as a canister. To remove the caddy from the main unit, press down on the locking lever and lift the unit up.

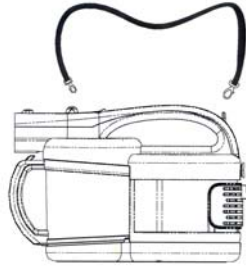


To replace the Mini Canister back onto the caddy, slip the front part of the unit onto the front locking tab of the caddy (see below) and then lock the unit in place by pushing it down until the locking lever clicks in place.



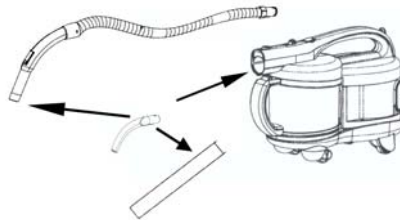
Attaching the Shoulder Strap

The Mini Canister Vacuum may be used with the shoulder strap with or without the caddy. To attach the shoulder strap to the unit, attach the hooks at the ends of the shoulder strap to the shoulder strap attachment points on the top of the vacuum. See illustration below.

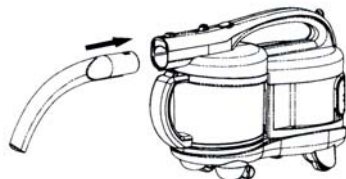


Using the Crevice Tool

The crevice tool that is provided with the Mini Canister Vacuum can be used either on the vacuum alone, with the hose or with the extension tubes. See illustration below.



Please note that the crevice tool will only go in the suction hole of the mini canister one way. See illustration below. There is a detent on the top of the crevice tool that locks in place when inserted into the suction hole. To remove the crevice tool from the unit, press the hose release button to allow you to remove the accessory.

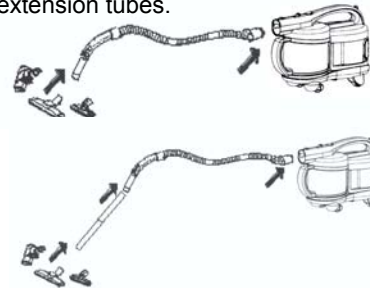


OPERATING INSTRUCTIONS

Using the Flexible Hose

To use the flexible hose with the Mini Canister Vacuum, push the end of the hose into the suction hole as shown below. The flexible hose may be used with the deluxe brush, crevice tool (see previous page), floor brush or the air driven turbo brush. To attach the flexible hose to the unit, insert the hose end into the suction hole making sure that the detent is on the top. This will lock the hose in place. To remove the hose, press the hose release button and pull the hose out.

The extension tubes can also be attached to the flexible hose to give you a longer reach or to help vacuum the floors with the floor brush. Just push the wider end of one of the tubes into the end of the flexible hose and then attach the other two tubes to each other. The floor brush fits to the end of the extension tubes.



Using the Deluxe Brush with Removable Bristles

Note: The deluxe brush with removable bristles can be used with the hose or the extension tube.

For vacuuming high, hard to reach places such as ceilings, curtains/drapes, etc., use the convertible brush with removable bristles as follows:

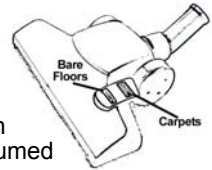
1. Insert the convertible brush to the hose alone or with the extension tube attached to the hose.
2. If you need a brush action, slide on the removable bristle brush onto the deluxe brush. (See illustration below.)



Using the Floor Brush

1. Attach the flexible hose and the extension tubes to the vacuum.
2. Attach the floor brush to the extension tube.
3. You can use the floor brush with the vacuum either with the caddy or as a hand vacuum with the shoulder strap.
4. To vacuum bare floors, press the floor-to-carpet lever on the floor brush down to lower the bristles.

To vacuum carpets, press the floor-to-carpet lever up, to raise the bristles. Very flat carpets can sometimes be vacuumed with the bristles down.



Air Driven Turbo Brush

The efficiency of your air driven turbo brush depends on the Bristle brush rotating at high speed. Strong air suction is needed to accomplish this.

In order to ensure that maximum air suction is maintained, please read the following instructions:

1. Empty the dust cup frequently.
2. Always shake out the dust cup filter when emptying the dust cup container.
3. Ensure that the rotating brush is kept free of hair and string which may accumulate and decrease brush performance.
4. Keep Air Driven Turbo Brush turbine free of dirt and foreign matter. (See page 6 for cleaning instructions.)



Using The Unit With Air Driven Turbo Brush

1. Slide the narrow end of the extension tube into the **air driven turbo brush or the flexible hose**.
2. Slide the wide end of the assembled extension tube onto the round end of the deluxe hose.
3. Slide the round side of the hose into the suction hole of the vacuum unit.
4. You can use the mini canister with or without the shoulder strap.
5. You can now proceed to vacuum your upholstery.

Free Manuals Download Website

<http://myh66.com>

<http://usermanuals.us>

<http://www.somanuals.com>

<http://www.4manuals.cc>

<http://www.manual-lib.com>

<http://www.404manual.com>

<http://www.luxmanual.com>

<http://aubethermostatmanual.com>

Golf course search by state

<http://golfingnear.com>

Email search by domain

<http://emailbydomain.com>

Auto manuals search

<http://auto.somanuals.com>

TV manuals search

<http://tv.somanuals.com>