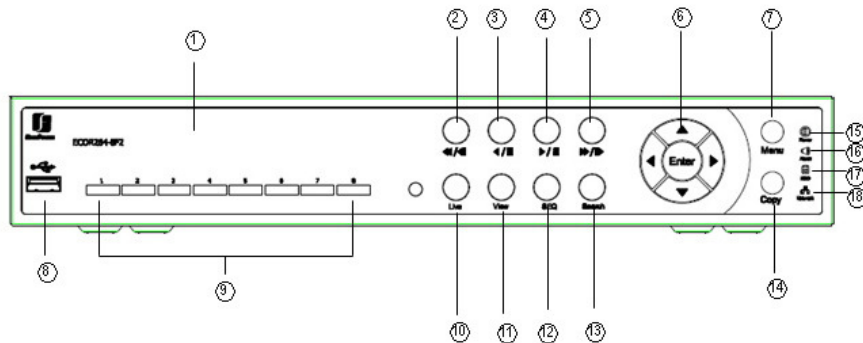


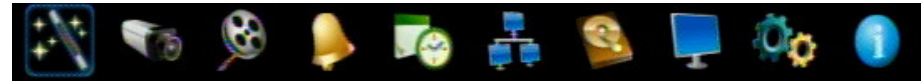
Operating elements *ECOR264-D2* Quick Reference Guide



- ① **DVD+RW:** DVD+RW burner for DVD model. (D models only)
- ② **◀◀/◀:** Fast reverse playback or step reverse playback depending on playback mode.
- ③ **◀/||:** Reverse playback or pause
- ④ **▶/||:** Forward playback or pause
- ⑤ **▶▶/▶:** Fast Forward playback or step forward playback depending on playback mode.
- ⑥ **Enter/ Arrow keys:** Instead of or in combination with a mouse, you can use these keys to change the Menu settings.
- ⑦ **Menu/ESC:** Press this key to enter/exit MAIN SETUP MENU.
- ⑧ **USB 2.0 (front):** For connecting USB-Flash-Drive to copy/archive video or for firmware upgrades.
- ⑨ **Channel keys 1~8 (1~4):**
 - Press channel key (CH1~CH8) / (CH1~CH4) to display that channel in full screen view.
 - Press channel key again for 2x electronic zoom.
- ⑩ **Live:** Press this key to show live view. Press to exit from playback mode.
- ⑪ **View:** Press this key to switch between 4x, PiP (Picture In Picture), full screen and 9x.
*Note: 1. PIP display is not available in playback mode.
 2. This key is also used for BNC and VGA selection at the initial setup.*
- ⑫ **SEQ:** Press this key to enter the auto sequential switching mode. The sequence dwell time can be set in "Display Setting" tab of the Menu.
- ⑬ **Search:** Press this key to enter Search Menu.
- ⑭ **Copy:** Press this key to enter Copy Menu.

- ⑮ **Power LED:** This LED ON indicates **Power** on.
- ⑯ **Alarm LED:** This LED ON indicates **Alarm** active.
- ⑰ **HDD LED:** This LED ON indicates **HDD** active.
- ⑱ **Network LED:** This LED ON indicates **Network** active.

Description of on-screen main menu (control bar)



- 1
 - 2
 - 3
 - 4
 - 5
 - 6
 - 7
 - 8
 - 9
 - 10
- ① **Express menu (manual chapter 4.2)**
 - ② **Camera menu (manual chapter 4.3)**
 - ③ **Record & Play menu (manual chapter 4.4)**
 - ④ **Alarm & event menu (manual chapter 4.5)**
 - ⑤ **Schedule menu (manual chapter 4.6)**
 - ⑥ **Network menu (manual chapter 4.7)**
 - ⑦ **Disk menu (manual chapter 4.8)**
 - ⑧ **Display menu (manual chapter 4.9)**
 - ⑨ **System menu (manual chapter 4.10)**
 - ⑩ **Information menu (manual chapter 4.11)**

P/N: 4605XECR04002AR_Ver.A

1. Monitor display formats

The monitor allows full screen, picture-in-picture, 4x, 6x, 8x and 9x multiscreen display (PiP in live mode only) as well as sequence view.

Display format switching

Repeated **VIEW** key actuation switches between the display formats mentioned above.

Full screen:

Select one of the channel keys **1 ~ 8** (8 CH model), **1~4** (4 CH model)

Sequence (automatic switch, available in live mode only)

Press the **SEQ** key to start / stop the automatic switching mode.

2. Menu start

Press the **MENU** key to access the main menu bar (front key no. 16). Control the menu either through mouse or through the arrow keys (front keys no. 18).

3. Brightness – contrast – color

Brightness, contrast and color can individually be set for each video channel. Select the camera menu (2nd icon) and enter the option "Video adjust". Define the values by using either the mouse or the arrow keys located around the **ENTER** key. After adjusting the values, exit the menu by either pressing the **MENU** key 3 times or mouseclick on the cross in the menu bar (top right corner).

4. Recording

Recording starts directly after the recorder has booted; there is no separate LED or display.

5. Playback

Start the playback at the latest HDD playback position by pressing the **PLAY** key (Quick Play function deactivated!).

Fast forward / reverse:

Use the „Fast Forward“ key to play video images forward / reverse with up to 32x speed (1x,2x,4x,8x,16x,32x and >>> "minute steps")

Pause:

Actuate **◀/ || or ▶/ ||** to freeze the current playback position.

6. Playback search

Press the **SEARCH** key to enter the playback search menu.

From the menu on the left, choose the search method:

- Time search

Enter time and date of the requested recording position and click **PLAY**.

Upon successful search, the monitor automatically switches to playback mode and playback starts at the requested position.

- Event search

Select time and date as well as the relevant camera(s). In the "Event" row, select the requested event type (alarm, motion, video loss, others) and confirm your selection by clicking **SEARCH**. After the search, a list of available events is displayed. Select the relevant event from the list and click **PLAY**.

The monitor automatically switches to playback mode and playback starts at the selected position.

- Smart search

Select time and date as well as the relevant camera(s). Click "Grid Setting" key to edit motion grid setup. Confirm your selection by clicking **SEARCH**. After the search, a list of available motion is displayed. Select the relevant motions from the list and click **PLAY**. The monitor automatically switches to playback mode and playback starts at the selected position.

- Snapshot search

Select among thumbnail images extracted from the recorded video at a user defined interval, at a specific date and time, in response to various types of events. Confirm your selection by clicking **SEARCH**. After the search, all the snapshots will be displayed. The result gives user an efficient review of significant activities.

7. Archiving video data

To archive to USB, insert a USB stick into the USB socket at the front. To archive to CD/DVD, insert the CD/DVD into the DVD+RW burner at the front. Press the **COPY** key in live mode to display the context menu.

Enter start and end time of the video export as well as the camera number and press **COPY** to start the video data export.

If requested, the player software can also be exported to the USB stick or CD/DVD by activating the checkbox "Player".

Exit the menu by either pressing the **MENU** key several times or mouseclick on the cross in the menu bar (top right corner).

8. Everfocus Central Management Software

ECOR264-D2 DVR is supported by Everfocus Central Management Software. Please visit Everfocus website at: <http://www.everfocus.com> to download the software.

Free Manuals Download Website

<http://myh66.com>

<http://usermanuals.us>

<http://www.somanuals.com>

<http://www.4manuals.cc>

<http://www.manual-lib.com>

<http://www.404manual.com>

<http://www.luxmanual.com>

<http://aubethermostatmanual.com>

Golf course search by state

<http://golfingnear.com>

Email search by domain

<http://emailbydomain.com>

Auto manuals search

<http://auto.somanuals.com>

TV manuals search

<http://tv.somanuals.com>