

# *EverPlex 4BQ*

## USER'S MANUAL



**Real time B/W quad processor**

**High resolution picture quality**

**4 Alarm input with buzzer**

# Notice

This manual is presented to the users of EverPlex 4BQ by EverFocus Electronics Corp. With years of engineering researching, EverFocus has spared no effort to provide the high quality products to the worldwide users. For the policy of continual product improvement, EverFocus reserves the right to make changes to the product specifications and documentation without notice. All the components of the products, including accessories, components, and outlook, are based on the agreements if each deals to satisfy all kinds of users. Meanwhile, please be advised that every steps of operation must follow the instruction of this manual to keep EverPlex 4BQ working under the best condition. Please notice that EverFocus will not be charged any claims or renewing cases resulted from inappropriate operation.

# Table of Content

<i>Safety Warning</i> .....	1
<i>Introduction</i> .....	2
<i>Specification</i> .....	3
<b>Chapter I Front Panel Keypads</b> .....	<b>4</b>
1. Full Screen .....	4
2. Quad Display .....	4
3. Sequential Seitching .....	4
4. VCR Playback.....	4
<b>Chapter II Back Panel Function</b> .....	<b>5</b>
1. BNC Connectors .....	5
1.1 Video In.....	5
1.2 Video Out .....	5
1.3 Monitor .....	5
1.4 VCR out .....	5
1.5 VCR In .....	5
2. Level .....	5
3. Terminator On/off.....	5
4. Alarm time.....	6
5. Switch Time.....	6
6. VCR Level.....	6
7. Power .....	6
8. Alarm Connectors (DB-15) .....	6
8.1 Alarm out .....	7
8.1.1 Normally Open Connection .....	7
8.1.2 Normally Closed Connection.....	7
8.2 Alarm in .....	8

# Safety Warning

---

1. To prevent fire or shock hazard, do not expose this equipment to the environment of high humidity and dust. Do not use it in an unprotected outdoor installation or any area classified as a wet area.
2. Installation environment: The temperature should be kept between 0°C ~ +50°C
3. For safety sake, do not disseminate the unit or put it on an unstable base.
4. Ventilation: Openings in the enclosure are provided for ventilation and to ensure reliable operation of the unit and to protect it from overheating. These openings must not be blocked or covered. This unit should not be placed in a built-in installation unless proper ventilation is provided.
5. Cleanse: Unplug the unit from the outlet before cleansing. Do not use liquid cleaners or aerosol cleaners. Use a damp cloth to clean it.
6. Overload: Do not overload outlets and extension cords as this may result in a risk of fire or electric shock.
7. Power-cord Protection: Power-supply cords should be routed so that they are not likely to be walked on or pinched by items placed upon or against them, paying particular attention to cords at plugs, convenience receptacles, and the point where they exit from the appliance.
8. Object and Liquid Entry: Never push objects of any kind into this unit through openings as they may touch dangerous voltage points or short-out parts that could result in a fire or electric shock. Never spill liquid of any kind on the unit.
9. Service: Do not attempt to service this unit yourself as opening or removing covers may expose you to dangerous voltage of other hazards. Refer all servicing to qualified service personnel.

# Introduction

---

This B/W Quad processor represents the best choice for 4 cameras monitoring and recording. 4 channel auto sequential switching with real time quad display, superior high resolution, and the most practical features in one convenient unit. The most unbeatable B/W Quad processor for the security surveillance.

## Main Features:

- Connect up to 4 cameras with loop through
- Real-time quad display
- Option to watch full image or quadrant pictures
- Superior high resolution: 960 x 576 (CCIR) , 960 x 480 (EIA)
- Independent brightness level adjustment for each channel and VCR output
- Auto sequential switching for each camera and quad (Dwelling time: 1~10 seconds)
- Alarm time setting (1-20 seconds)
- 4 alarm inputs with built-in buzzer
- VCR playback function
- Easy-handled desktop size
- User-friendly front panel design
- Low power consumption

# Specification

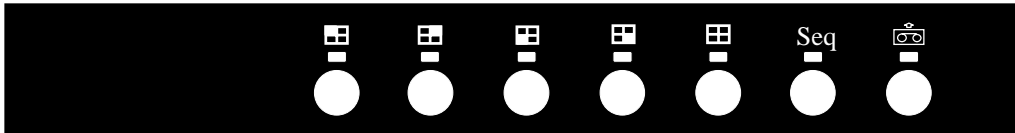
---

<b>Video input:</b>	Up to 4 cameras inputs and 1 VCR input
<b>Video output:</b>	1 monitor output and 1 quad output for VCR 1V <sub>p-p</sub> /75 ohm
<b>Refresh Rate:</b>	15~30 fields/sec.
<b>VCR Playback:</b>	Yes
<b>Alarm input:</b>	4 alarm inputs and 1 alarm reset input
<b>Buzzer:</b>	Yes
<b>Alarm output:</b>	2 Alarm Out (1 Normally Open, 1 Normally Closed)
<b>Dimension:</b>	239 x 166 x 55 mm
<b>Power source:</b>	AC 24V
<b>Power consumption:</b>	5W max.
<b>Operating temperature:</b>	0°C to +50 °C


# Chapter I Front Panel Keypads

---

## 1. Front Panel Keypads



### 1.1 Full Screen

Press any key of corresponding quadrant, the required channel will be displayed as full screen on the monitor. Press  to go back to quad display.


### 1.2 Quad Display

Press , the 4 camera input will be displayed in quad format on the main monitor.

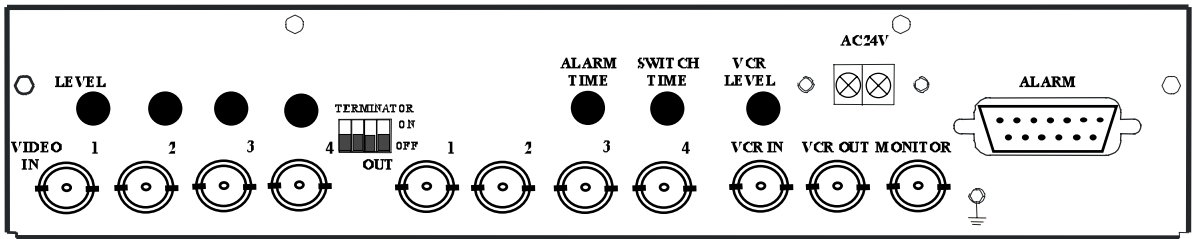
### 1.3 Sequential Switching

Press Seq key to enter the auto sequential switching mode. It will display live quad and full screen sequentially on the main monitor. Press any full screen key or quad display key to exit Seq mode.

### 1.4 VCR Playback

Press  key to play back the recorded video from VCR. Press any full screen key or quad display key to exit Seq mode.

# Chapter II Back Panel Function



## 1. BNC Connectors

### 1.1 Video In

Connect camera video output to the corresponding video in connector by a 75 ohm coaxial cable.

### 1.2 Video Out

Connect the other devices to these connectors. They are used to loop through camera's video to other devices.

### 1.3 Monitor

Connect this output port to the main monitor.

### 1.4 VCR Out

Connect this output port to the VIDEO IN of VCR. The quad video output is obtained from this connector.

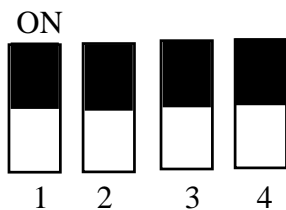
### 1.5 VCR In

Connect this input port to the VIDEO OUT of VCR.

## 2. Level

The 4 gain control regulators is used to adjust the brightness level of the video input.

## 3. Terminator On/Off



Terminator	Camera Input	OFF	ON
1	1	Not Terminated	75 Ohm Termination
2	2	Not Terminated	75 Ohm Termination
3	3	Not Terminated	75 Ohm Termination
4	4	Not Terminated	75 Ohm Termination

Each camera should be terminated by 75 Ohms. This termination is normally provided by having all switches of 1-4 on. If cameras are looped through to other equipment which provides termination, then the switch sections of the corresponding inputs should be turned off.



## 4. Alarm Time

Adjust the alarm holding time from 1 to 20 seconds.

## 5. Switch Time

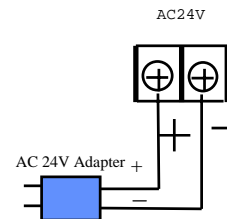
Adjust the auto sequential switching time from 1 to 10 seconds.

## 6. VCR Level

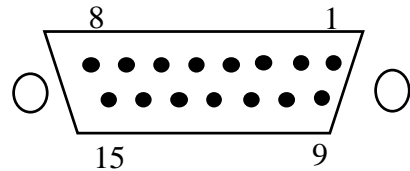
The gain control regulator is used to adjust the brightness level of the VCR output.

## 7. Power

Connect the AC 24V power source to the power input terminals. The power supply connection is illustrated as the right sketch.



## 8. Alarm Connectors (DB-15)

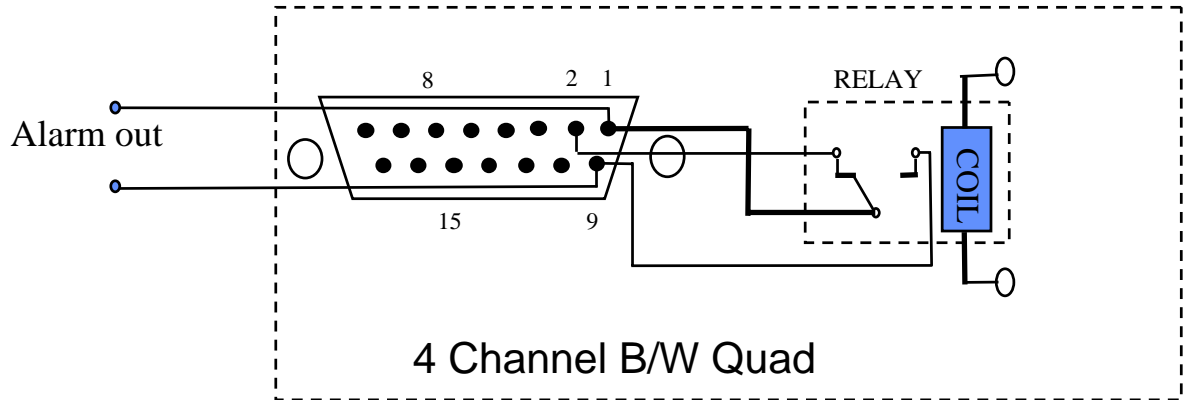


PIN #	NAME	PIN #	NAME
1	Alarm Out Common contact	9	Alarm Out Normally Open
2	Alarm Out Normally Closed	10	
3	Alarm Reset	11	
4	GROUND	12	ALARM IN 1
5	ALARM OUT	13	ALARM IN 2
6		14	ALARM IN 3
7		15	ALARM IN 4
8			

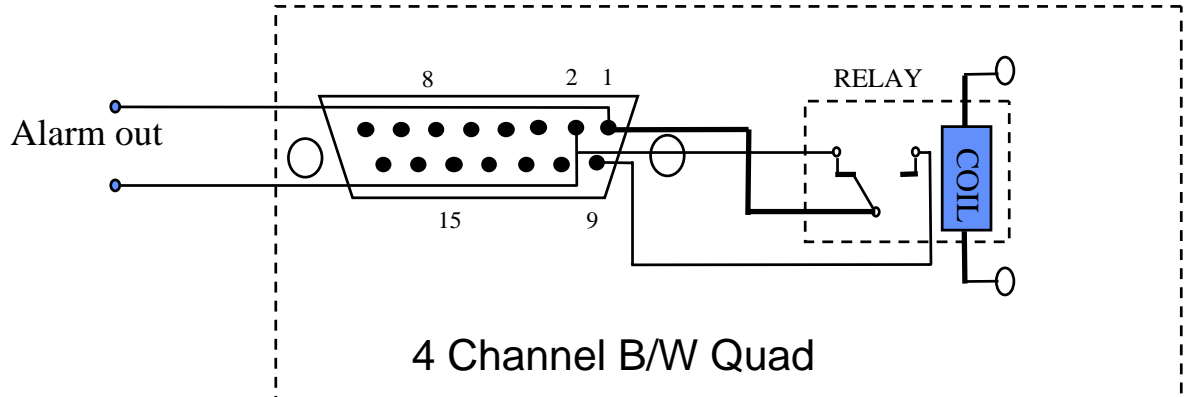
## 8.1 Alarm out

There are two ways to do the alarm out connection:

### 8.1.1 Normally Open Connection (use pin # 1 and # 9)

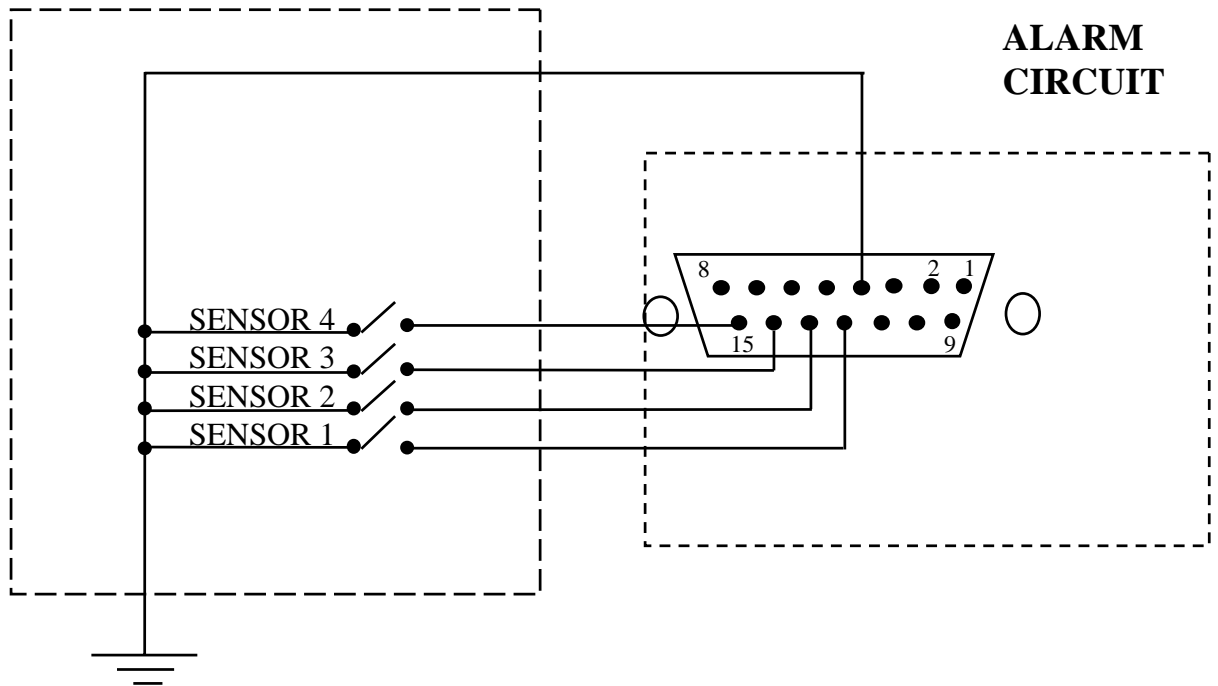


### 8.1.2 Normally Closed Connection (use pin # 1 and # 2)



## 8.2 Alarm in

There are 4 alarm sensors in for 4 channels, all these alarm inputs are Normally Open and shorted to ground means an alarm happens.



There are four alarm inputs for each camera. Please connect the alarm input in the same sequence as the cameras input.

When any alarm signal is input, this quad processor will do the following:

1. switch to the full screen display of the alarmed channel.
2. Light on the channel LED.
3. turn on the buzzer.

When 2 or more alarms occur from the cameras, it will switch to quad display.

When the alarm time is over, it will go back to the normal condition that alarm occurred before.

## ***EverFocus Electronics Corp.***

### Head Office:

10F-6, No.79 Sec. 1 Shin-Tai Wu Road,  
Hsi-Chi, Taipei, Taiwan  
TEL: 886-2-26982334  
FAX: 886-2-26982380

### USA Office:

145 Vista Ave. Suite 108  
Pasadena, CA. 91107  
USA  
TEL: 1-626-844-8888  
FAX: 1-626-844-8838  
Toll free: 1-888-383-6287 or  
1-888-EV-FOCUS

### Hong Kong Office:

Room 0, 10/F., Block 3, Camelpaint Building,  
60, Hoi Yuen Road, Kwun Tong, Kowloon  
Hong Kong  
TEL: 852-2758-9871  
FAX: 852-2758-9056

### European Office:

Fasanenweg 3, D-46446 Emmerich  
Germany  
TEL: 49-2822-9394-0  
FAX: 49-2822-939495



**EverFocus®**

P/N : M4BQG00100

## Free Manuals Download Website

<http://myh66.com>

<http://usermanuals.us>

<http://www.somanuals.com>

<http://www.4manuals.cc>

<http://www.manual-lib.com>

<http://www.404manual.com>

<http://www.luxmanual.com>

<http://aubethermostatmanual.com>

Golf course search by state

<http://golfingnear.com>

Email search by domain

<http://emailbydomain.com>

Auto manuals search

<http://auto.somanuals.com>

TV manuals search

<http://tv.somanuals.com>