



EV9333-52

# Exubera Pro 3 Tap Faucet

Nickel plated & stainless steel 3 tap delivery system



3 Tap Faucet: EV9333-52

## BENEFITS

- Nickel-plated construction
- 5/16" stainless steel water lines
- Flow regulating levers on all taps
- Special stainless steel CO<sub>2</sub> tap
- Copper tube chilled water recirculation capability (not sold by Everpure)

## INSTALLATION TIPS

- Ensure carbonated water dispenses from labeled CO<sub>2</sub> tap
- Installation hole: 1 3/8" (35mm)
- Maximum counter thickness: 4" (100mm)
- Ensure all regulating valves are pointed in down direction (open) before adjustment
- Adjust each regulating lever so unit dispenses 1/4 gallon (1 L) water in 20 seconds

## OPERATION TIPS

- Regular preventative maintenance should be performed to ensure optimum performance

## APPLICATION/SIZING

- Should be used with Exubera Pro UC Water Appliance (EV9333-50)

# Exubera Pro 3 Tap Faucet

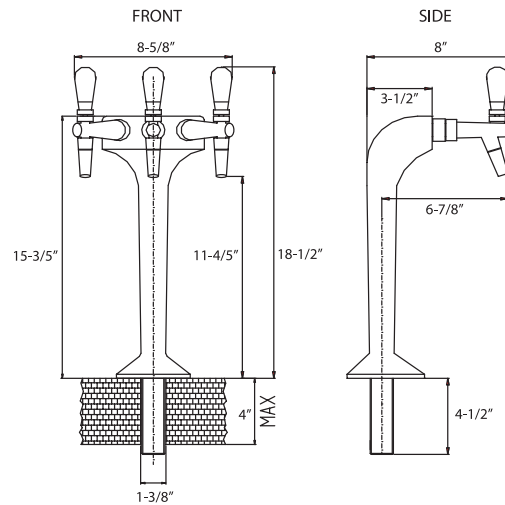
## SPECIFICATIONS

Dimensions: 8 5/8" W x 8" D x 18.5" H (tap alone, not including threading)

Connections: 5/16"

Shipping Weight: 18 lbs

Operating Weight: 16 lbs



## WARRANTY

Everpure water treatment systems (excluding replaceable elements) are covered by a limited warranty against defects in material and workmanship for a period of five years after date of purchase. Everpure replaceable elements (filter cartridges and water treatment cartridges) are covered by a limited warranty against defects in material and workmanship for a period of one year after date of purchase. See printed warranty for details. Everpure will provide a copy of the warranty upon request.

### EVERPURE®

*Worldwide Headquarters:*  
EVERPURE, LLC  
1040 Muirfield Drive  
Hanover Park, Illinois 60133  
Toll Free (800) 323-7873  
Tel (630) 307-3000  
Fax (630) 307-3030  
<http://www.everpure.com>

*In Europe:*  
Pentair Water Belgium B.V./B.A.  
Industriepark Wolfstee  
Toekomstlaan 30  
B- 2200 Herentals  
BELGIUM  
TEL: +32.(0).14.283.500  
FAX: +32.(0).14.283.505

*In Japan:*  
Hashimoto MN Bldg. 7F  
3-25-1 Hashimoto Sagamihara-Shi  
Kanagawa 229-1103  
JAPAN  
TEL: 81.(0)42.775.3011  
FAX: 81.(0)42.775.3015

**Everpure, LLC**  
1040 Muirfield Drive  
Hanover Park, IL 60133  
Ph: 630-307-3010 Fax: 630-307-3030

## Free Manuals Download Website

<http://myh66.com>

<http://usermanuals.us>

<http://www.somanuals.com>

<http://www.4manuals.cc>

<http://www.manual-lib.com>

<http://www.404manual.com>

<http://www.luxmanual.com>

<http://aubethermostatmanual.com>

Golf course search by state

<http://golfingnear.com>

Email search by domain

<http://emailbydomain.com>

Auto manuals search

<http://auto.somanuals.com>

TV manuals search

<http://tv.somanuals.com>