



EV9751-11

EFS5002-K Filter Cartridge

Replacement filter for Cuno® OCS and POU Water Cooler cartridges



EFS5002-K Replacement Cartridge: EV9751-11

BENEFITS

Carbon block filter finely polishes water for high quality beverage and food applications

Reduces chlorine taste and odor and other offensive contaminants that can adversely affect the taste of water and beverages

Reduces extra fine dirt and particles

Reduces limescale build-up that can cause excessive machine downtime and increased maintenance costs. Plus, scale reduction lowers energy costs

KDF® Media inhibits microbial growth and provides bacteriostatic control plus scale inhibition

Sanitary cartridge replacement is simple, quick and clean. Internal filter parts are never exposed to handling or contamination

Tested by Everpure in accordance with NSF Standard 42 for aesthetic effects

INSTALLATION TIPS

- Never use saddle valve for connection
- Use 3/8" water line
- Install vertically with cartridge hanging down
- Allow 2-1/2" clearance below the cartridge for easy cartridge replacement
- Flush EFS8002 cartridge by running water through filter for five minutes at full flow

OPERATION TIPS

- Change cartridges on a regular 6 month preventative maintenance program
- Change cartridges when capacity is reached or when pressure falls below 10 psi
- Service flow rate must not exceed 1.5 gpm
- Always flush the filter cartridge at time of installation and cartridge change

APPLICATION/SIZING

- Replacement for Cuno® filter cartridges
- For foodservice, vending machine and OCS applications
- Rated Capacity: 5,000 gallons (18,927L)
- KDF® is a registered trademark of KDF Fluid Treatment, Inc.
- Cuno® is a registered trademark of CUNO, INC.

EFS5002-K Filter Cartridge

SPECIFICATIONS

Overall Dimensions:
10.25"H x 3.25"Diameter

Service Flow Rate:
Maximum 0.5 gpm (1.9 Lpm)

Rated Capacity: 5,000 gallons

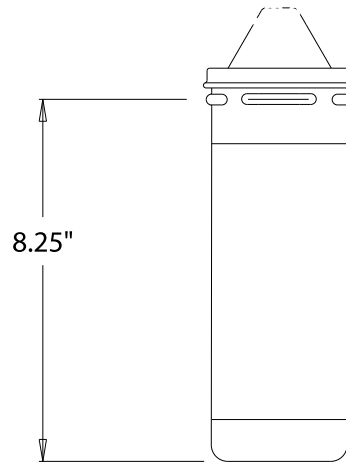
Pressure Requirements:
10 psi - 125 psi (0.7 - 8.6 bar), non-shock

Temperature:
35°F - 100°F (2-38°C)

No electrical connection required

KDF® is a registered trademark of KDF Fluid Treatment, Inc.

The contaminants or other substances removed or reduced by this drinking water system are not necessarily in your water. Do not use with water that is microbiologically unsafe or of unknown quality without adequate disinfection before or after the system. Systems certified for cyst reduction may be used with disinfected water that may contain filterable cysts.



WARRANTY

Everpure water treatment systems (excluding replaceable elements) are covered by a limited warranty against defects in material and workmanship for a period of five years after date of purchase. Everpure replaceable elements (filter cartridges and water treatment cartridges) are covered by a limited warranty against defects in material and workmanship for a period of one year after date of purchase. See printed warranty for details. Everpure will provide a copy of the warranty upon request.

Tested by Everpure in Accordance with NSF/ANSI Standard 42 for the reduction of:

Aesthetic Effects
Chemical Unit
Taste and Odor Reduction
Chlorine Reduction

EVERPURE®

EVERPURE, LLC
1040 Muirfield Drive
Hanover Park, Illinois 60133
Toll Free (800) 323-7873
Tel (630) 307-3000
Fax (630) 307-3030
<http://www.everpure.com>

In Europe:
N.V. EVERPURE (EUROPE) S.A.
INDUSTRIEPARK WOLFSTEE
TOEKOMSTLAAN 30
B-2200 HERENTALS
BELGIUM
TEL 32-14-283500
FAX 32-14-283505

In Japan:
EVERPURE JAPAN LLC
HASHIMOTO MN BLDG. 7F
3-25-1 HASHIMOTO SAGAMIHARA-SHI
KANAGAWA 229-1103
JAPAN
TEL 81-(0)42-775-3011
FAX 81-(0)42-775-3015

Everpure
1040 Muirfield Drive
Hanover Park, IL 60133
Phone: 630-307-3020 Fax: 630-307-3030

Free Manuals Download Website

<http://myh66.com>

<http://usermanuals.us>

<http://www.somanuals.com>

<http://www.4manuals.cc>

<http://www.manual-lib.com>

<http://www.404manual.com>

<http://www.luxmanual.com>

<http://aubethermostatmanual.com>

Golf course search by state

<http://golfingnear.com>

Email search by domain

<http://emailbydomain.com>

Auto manuals search

<http://auto.somanuals.com>

TV manuals search

<http://tv.somanuals.com>