

RT-9 Water Filter

Part No. 169116

REPLACES P/N EV934955



RT-9 Assembly
P/N 169116 (1 pack)
Replaces P/N EV934955

EVERPURE[®]
WATER YOU CAN TRUST[®]

*Premium Quality Water Filtration
Created for Use in Marine Applications*



955-RT U-Fil[®]
P/N 255353-401 (1 pack) Replaces P/N EV963011
P/N 255353-404 (4 pack) Replaces P/N EV963014

BENEFITS

- Improves potable water by reducing chlorine and bromine taste and odor and other off tastes and odors
- For long-lasting service the pressure vessel and top are constructed of non-corrodible stainless steel
- Designed for use with 955-RT U-Fil[®] Cartridges

INSTALLATION TIPS

- To service, simply shut off influent water supply and unscrew the V-Band Clamp and remove cartridge.
- **Flush cartridges by running water through filter at full flow at the service tap for three minutes, or until water runs clear.**

INLET AND OUTLET CONNECTIONS

- **Top IN / Top OUT Top Vent**
- Inlet and Outlet: 1/2-inch NPT Female Unions

955-RT U-FIL[®] REPLACEMENT CARTRIDGE

- The 955-RT cartridge reduces chlorine taste and odors, while filtering out dirt and suspended matter.
- Fast and clean cartridge change, just lift out the old cartridge and replace with a new one.
- Disposable cartridge means there is no carbon mix.
- The precoat filtration technology used in the 955-RT is designed for maximum performance. This guarantees that as long as you are getting a flow of water your filter is working. Once the water flow noticeably slows it means the filter has taken so much sediment and other material that the cartridge needs to be changed.

OPERATION TIPS

- Change cartridge when the flow of water becomes too slow for convenience, or after 6 months of operation (whichever occurs first).
- **Always flush all new filter cartridges at time of installation.**

SPECIFICATIONS

Dimensions

18" H x 9 $\frac{1}{8}$ " D (45.7 cm H x 20.6 cm D)

Net Weight

5 lbs (2.4 kg) including cartridge

Inlet and Outlet Connections: Top IN / Top OUT

Inlet and Outlet: 1/2-inch NPT Female Unions

Service Flow Rate

3.0 gpm (11.4 L/min)

Working Pressure

125 psi (8.62 bar), non-shock

Maximum Temperature

100°F (37.8°C)

No electrical connection required.

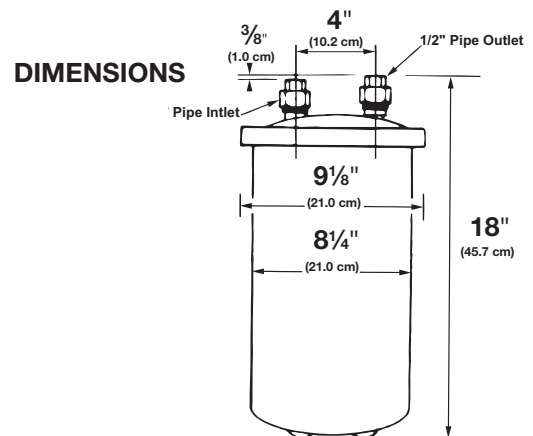
LIMITED WARRANTY OF PHYSICAL QUALITY

If, within eighteen months after manufacture or twelve months after purchase (whichever occurs first), any part of Pentair Filtration, Inc.'s manufacture which is returned to its factory, shipping charges prepaid, is found to be defective in material or workmanship in the judgement of Pentair Filtration, Inc.'s engineers, Pentair Filtration, Inc. will repair or replace such part at no charge, f.o.b., Sheboygan factory. Pentair Filtration, Inc., however, shall not be liable for damages or delays caused by any defective material or workmanship, or by failure of any parts due to normal wear and tear. Pentair Filtration, Inc. will not be responsible for products which malfunction due to user neglect or unauthorized modification.

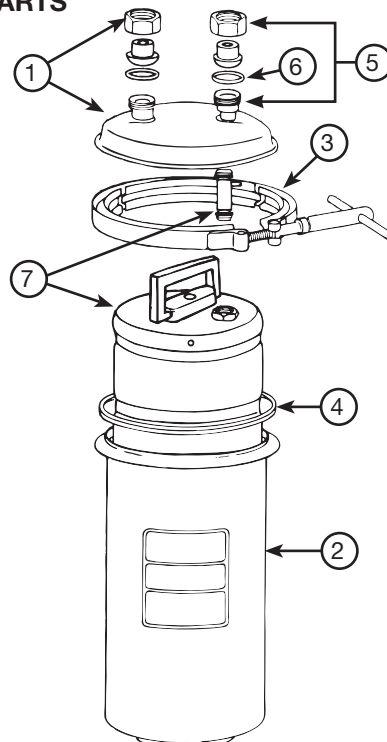
NOTE: Some states do not allow limitations on how long an implied warranty lasts, so the above limitation may not apply to you. Similarly, some states do not allow the exclusion or limitation of consequential or incidental damages, so the above limitation or exclusion may not apply to you. This warranty gives you specific legal rights and you may also have other rights which may vary from state to state.

PARTS LIST & DIMENSIONS

| Item No. | Description | Part Number | |
|----------|--|-------------|------------|
| 1 | Top, Drawn Stainless Steel Includes O-Ring for Union | EV301098 | 156225 |
| 2 | Shell, Drawn Stainless Steel | EV301099 | 156219 |
| 3 | V-Band Closure, Stainless Steel | EV306573 | 244303 |
| 4 | Square Cut Gasket | EV301104 | 244295 |
| 5 | Top Union (Tall Piece, O-Ring and Nut) | EV301106 | 156224 |
| 6 | O-Ring for Union | EV301097 | 244308 |
| 7 | 955-RT U-fil® Cartridge (1 Pack) | EV963011 | 255353-401 |
| | 955-RT U-fil® Cartridge (4 Pack) | EV963014 | 255353-404 |



PARTS



EVERPURE
WATER YOU CAN TRUST®

Pentair Filtration, Inc.
502 Indiana Avenue - P.O. Box 1047
Sheboygan, Wisconsin 53082-1047
Phone 866.873.7506 Fax 888.203.7361
International Phone 920.457.9435 International Fax 920.457.2417
www.everpure.com

Free Manuals Download Website

<http://myh66.com>

<http://usermanuals.us>

<http://www.somanuals.com>

<http://www.4manuals.cc>

<http://www.manual-lib.com>

<http://www.404manual.com>

<http://www.luxmanual.com>

<http://aubethermostatmanual.com>

Golf course search by state

<http://golfingnear.com>

Email search by domain

<http://emailbydomain.com>

Auto manuals search

<http://auto.somanuals.com>

TV manuals search

<http://tv.somanuals.com>