



EV9797-91
MRS-20

Complete Mineral Reduction Water Processing System



MRS-20 System: EV9797-91

4CB5 cartridge: EV9617-11

MR-20 Cartridge: EV9273-69

BENEFITS

- Improves equipment life and performance by removing at least 90%+ of all dissolved solids that cause scale build-up
- Protects against taste and odor causing contaminants while removing dirt, particulates and dissolved minerals
- Less frequent deliming of equipment means reduced maintenance and service costs
- Sanitary cartridge replacement is simple, quick and clean. Internal filter parts are never exposed to handling or contamination
- Two-part design makes installation flexible, and small footprint easily fits in any kitchen
- Easy to operate system has no moving parts and requires no electrical power
- System includes mineral reduction processor, carbon filter cartridge, reverse osmosis cartridge, and storage tank
- No monitoring of grains per gallons is necessary. System removes scale reducing minerals regardless of the GPG

INSTALLATION TIPS

- Choose a mounting location suitable to support the full weight of the system when operating
- Mount system convenient to the post water softener supply line and for routing the outlet and drain lines
- The tank assembly may be mounted above, below or alongside (preferred) of the water processor assembly
- Install vertically with cartridges hanging down. Allow 2-1/2" clearance below the cartridge for easy cartridge replacement
- The water inlet must supply a minimum of 0.5 gpm at 50-85 psi on a consistent basis
- Deliming of equipment prior to application is recommended

OPERATION TIPS

- Replace the 4CB5-MR carbon filter every 12 months. Change the 4MR-1 mineral reduction cartridge every two years, or as needed
- Cartridge replacement schedules assume the system is installed on softened water
- Outlet Water Production: 25 gal. per day (54.5L) @ 50 psig (340 kPa), 77 F (25 C) per NSF Standard 58 testing. Water production depends on supply water pressure and temperature
- Wastewater Production: 74 gal. per day (289L) @ 50 psig (340 kPa), 77 F (25 C). Wastewater drain line capacity: 3 gpm (21 Lpm) to open atmosphere
- Storage Tank Capacity: 3 gallon tank; effective/usable capacity: 2.5 gal. (9.5L)

APPLICATION/SIZING

- Mineral Reduction System for foodservice applications
- Ideal for: Flash steamers, conventional steamers, cheese melters, combi-ovens and coffee/espresso machines
- Uniquely designed for low volume applications (approximately 25 gpd nominal consumption)

MRS-20

SPECIFICATIONS

Overall Dimensions:

Processor - 25"H x 22.5"W x 5"D

Tank - 27"H x 22.5"W x 11.25"D

Inlet and Outlet connection:

3/8" OD John Guest tubing fitting (provided)

3/8" ID beverage hose

Wastewater line and Sample port connection:

1/4" OD John Guest tubing fitting (provided)

Steamer manifold connection:

1/4" quick connect on tubing coil (provided)

Steamer feed hose connection:

3/8" barb on tubing coil (provided)

Pressure Requirements:

10 psi - 125 psi (0.7 – 8.6 bar), non-shock

Water Supply:

0.5 gpm (1.9L) @ 50-85 psi (280-595 Kpa)

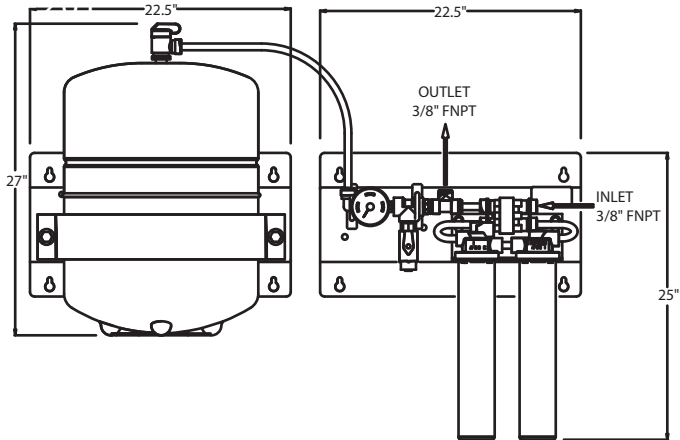
Inlet Temperature:

40°F - 100°F (4-38°C)

Inlet TDS:

1,500 ppm max recommended

Operating Weight: 50 lbs.



WARRANTY

Everpure water treatment systems (excluding replaceable elements) are covered by a limited warranty against defects in material and workmanship for a period of five years after date of purchase. Everpure replaceable elements (filter cartridges and water treatment cartridges) are covered by a limited warranty against defects in material and workmanship for a period of one year after date of purchase. See printed warranty for details. Everpure will provide a copy of the warranty upon request.

The contaminants or other substances removed or reduced by this drinking water system are not necessarily in your water. Do not use with water that is microbiologically unsafe or of unknown quality without adequate disinfection before or after the system. Systems certified for cyst reduction may be used with disinfected water that may contain filterable cysts.

EVERPURE®

EVERPURE, LLC
1040 Muirfield Drive
Hanover Park, Illinois 60133
Toll Free (800) 323-7873
Tel (630) 307-3000
Fax (630) 307-3030
<http://www.everpure.com>

In Europe:
N.V. EVERPURE (EUROPE) S.A.
INDUSTRIEPARK WOLFSTEE
TOEKOMSTLAAN 30
B-2200 HERENTALS
BELGIUM
TEL 32-14-283500
FAX 32-14-283505

In Japan:
EVERPURE JAPAN LLC
HASHIMOTO MN BLDG. 7F
3-25-1 HASHIMOTO SAGAMIHARA-SHI
KANAGAWA 229-1103
JAPAN
TEL 81-(0)42-775-3011
FAX 81-(0)42-775-3015

Everpure, LLC
1040 Muirfield Drive
Hanover Park, IL 60133
Ph: 630-307-3000 Fax: 630-307-3030

Free Manuals Download Website

<http://myh66.com>

<http://usermanuals.us>

<http://www.somanuals.com>

<http://www.4manuals.cc>

<http://www.manual-lib.com>

<http://www.404manual.com>

<http://www.luxmanual.com>

<http://aubethermostatmanual.com>

Golf course search by state

<http://golfingnear.com>

Email search by domain

<http://emailbydomain.com>

Auto manuals search

<http://auto.somanuals.com>

TV manuals search

<http://tv.somanuals.com>