



EV9100-66

# IN-6 CG-S In-line Filter

Designed for great taste and odor reduction



IN-6 CG-S: EV9100-66

## BENEFITS

Provides clear, fresh, quality ingredient water for coffee, and ice applications

Granular activated carbon reduces chlorine taste and odor, which can cause coffee to taste bitter

Inhibits the formation of limescale, which can shorten the life of equipment

6" in-line design is compact and installs out of sight behind equipment

## INSTALLATION TIPS

Use 1/4" water line

Flush IN-6 CG-S by running water through filter for three minutes at full flow

## OPERATION TIPS

Change cartridges on a regular 6 month preventative maintenance program

Change cartridges when capacity is reached or when pressure falls below 10 psi

Service flow rate must not exceed 0.75 gpm

Always flush the filter cartridge at time of installation and cartridge change

## APPLICATION/SIZING

For low volume, single pot coffee brewers with flow rates up to 0.75 gpm

Capacity: 700 gallons

# IN-6 CG-S In-line Filter

## SPECIFICATIONS

### Overall Dimensions:

Length: 6"

Diameter: 2.0"

Inlet connection: 1/4"

Outlet connection: 1/4"

Capacity: 700 gallons

### Service Flow Rate:

Maximum 0.75 gpm (2.8 Lpm)

### Pressure Requirements:

10 - 125 psi (0.7 - 8.6 bar), non-shock

### Temperature:

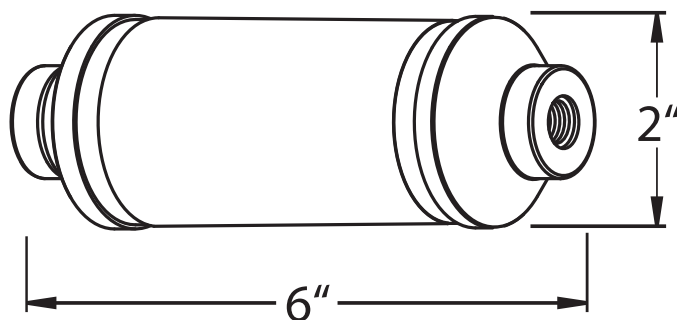
35 - 100°F (2 - 38°C)

### Operating Weight:

1.0 lbs.

No electrical connection required

The contaminants or other substances removed or reduced by this drinking water system are not necessarily in your water. Do not use with water that is microbiologically unsafe or of unknown quality without adequate disinfection before or after the system. Systems certified for cyst reduction may be used with disinfected water that may contain filterable cysts.



## WARRANTY

Everpure water treatment systems (excluding replaceable elements) are covered by a limited warranty against defects in material and workmanship for a period of five years after date of purchase. Everpure replaceable elements (filter cartridges and water treatment cartridges) are covered by a limited warranty against defects in material and workmanship for a period of one year after date of purchase. See printed warranty for details. Everpure will provide a copy of the warranty upon request.

### EVERPURE®

EVERPURE, LLC  
1040 Muirfield Drive  
Hanover Park, Illinois 60133  
Toll Free (800) 323-7873  
Tel (630) 307-3000  
Fax (630) 307-3030  
<http://www.everpure.com>

*In Europe:*  
N.V. EVERPURE (EUROPE) S.A.  
INDUSTRIEPARK WOLFSTEE  
TOEKOMSTLAAN 30  
B-2200 HERENTALS  
BELGIUM  
TEL 32 -14-283500  
FAX 32-14-283505

*In Japan:*  
EVERPURE JAPAN LLC  
HASHIMOTO MN BLDG. 7F  
3-25-1 HASHIMOTO SAGAMIHARA-SHI  
KANAGAWA 229-1103  
JAPAN  
TEL 81-(0)42-775-3011  
FAX 81-(0)42-775-3015

Everpure, LLC  
1040 Muirfield Drive  
Hanover Park, IL 60133  
Ph: 630-307-3000 Fax: 630-307-3030

## Free Manuals Download Website

<http://myh66.com>

<http://usermanuals.us>

<http://www.somanuals.com>

<http://www.4manuals.cc>

<http://www.manual-lib.com>

<http://www.404manual.com>

<http://www.luxmanual.com>

<http://aubethermostatmanual.com>

Golf course search by state

<http://golfingnear.com>

Email search by domain

<http://emailbydomain.com>

Auto manuals search

<http://auto.somanuals.com>

TV manuals search

<http://tv.somanuals.com>