



EV9107-21

QCP Single Head

Filter head exclusively for Everpure QCP replacement cartridges

QCP Single Head: EV9107-21



BENEFITS

Commercial quality filter head is designed exclusively to fit Everpure QCP filter cartridges

Solid durable construction is ideal for vending applications

Engineered for durability, strength and longevity

Uses 1/4" John Guest fittings

Water is automatically shut off during the change of the filter through the auto shut-off feature built into the filter head. This feature eliminates the need for additional shut-off valves to and from the filter system.

Will not corrode

INSTALLATION TIPS

Mounts directly onto flat surface

Installs vertically or horizontally

Allow 1-1/2" clearance below the cartridge for easy cartridge replacement

Use 1/4" tubing

Flush filter by running water through filter according to cartridge instructions

OPERATION TIPS

Change cartridges on a regular 6 month preventative maintenance program

Change cartridges when capacity is reached or when pressure decreases

Always flush the filter cartridge at time of installation and cartridge change

APPLICATION/SIZING

For Vending and OCS applications

Capacity: varies according to filter cartridge used

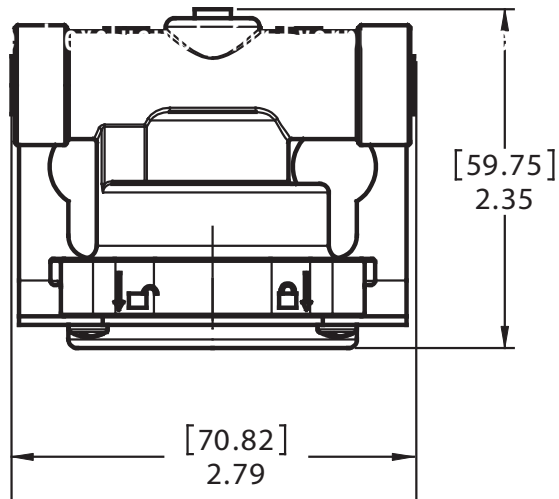
QCP Single Head

SPECIFICATIONS

Overall Dimensions:
2.35"H x 2.79"W x 3.25"D

Inlet and outlet connection:
1/4" OD tube connection

No electrical connection required



WARRANTY

Everpure water treatment systems (excluding replaceable elements) are covered by a limited warranty against defects in material and workmanship for a period of five years after date of purchase. Everpure replaceable elements (filter cartridges and water treatment cartridges) are covered by a limited warranty against defects in material and workmanship for a period of one year after date of purchase. See printed warranty for details. Everpure will provide a copy of the warranty upon request.

EVERPURE®

Worldwide Headquarters:
EVERPURE, LLC
1040 Muirfield Drive
Hanover Park, Illinois 60133
Toll Free (800) 323-7873
Tel (630) 307-3000
Fax (630) 307-3030
<http://www.everpure.com>

In Europe:
Pentair Water Belgium B.V./B.A.
Industriepark Wolfstee
Toekomstlaan 30
B- 2200 Herentals
BELGIUM
TEL: +32.(0).14.283.500
FAX: +32.(0).14.283.505

In Japan:
Hashimoto MN Bldg. 7F
3-25-1 Hashimoto Sagamihara-Shi
Kanagawa 229-1103
JAPAN
TEL: 81.(0)42.775.3011
FAX: 81.(0)42.775.3015

Free Manuals Download Website

<http://myh66.com>

<http://usermanuals.us>

<http://www.somanuals.com>

<http://www.4manuals.cc>

<http://www.manual-lib.com>

<http://www.404manual.com>

<http://www.luxmanual.com>

<http://aubethermostatmanual.com>

Golf course search by state

<http://golfingnear.com>

Email search by domain

<http://emailbydomain.com>

Auto manuals search

<http://auto.somanuals.com>

TV manuals search

<http://tv.somanuals.com>