



EV9272-26

# QC Twin Series RO Head

Series filter head exclusively for Everpure replacement cartridges



QC Twin Series RO Head: EV9272-26

## BENEFITS

New redesigned commercial quality filter head for Everpure filter cartridges

Series plumbed for use with a fine filter cartridge and any Everpure problem solving cartridge

A cartridge nesting feature provides a more secure and durable fit

Engineered for durability, strength and longevity.

Will not corrode

## INSTALLATION TIPS

Mounts directly onto flat surface

Install vertically so cartridge hangs down

Allow 2-1/2" clearance below the cartridge for easy cartridge replacement

Flush filter by running water through filter according to cartridge instructions

## OPERATION TIPS

Change cartridges on a regular 6-month preventative maintenance program

Change cartridges when capacity is reached or when pressure decreases

Always flush the filter cartridge at time of installation and cartridge change

## APPLICATION/SIZING

Plumbed in series configuration.

Capacity: varies according to filter cartridge used

# QC Twin Series RO Head

## SPECIFICATIONS

### Overall Dimensions:

7.9"H x 8.5"W

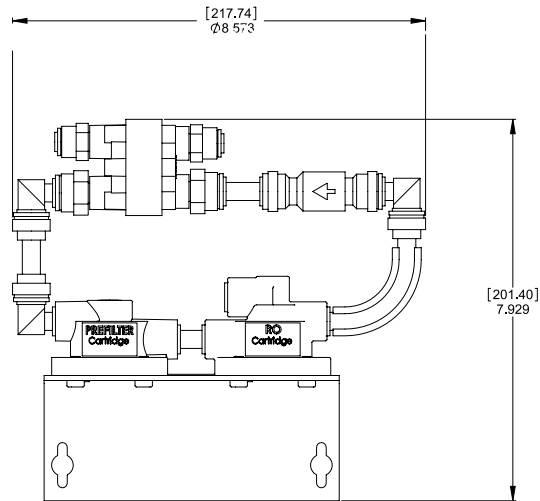
### Inlet connection:

1/4" John Guest

### Outlet connection:

1/4" John Guest

No electrical connection required



## WARRANTY

Everpure water treatment systems (excluding replaceable elements) are covered by a limited warranty against defects in material and workmanship for a period of five years after date of purchase. Everpure replaceable elements (filter cartridges and water treatment cartridges) are covered by a limited warranty against defects in material and workmanship for a period of one year after date of purchase. See printed warranty for details. Everpure will provide a copy of the warranty upon request.

### EVERPURE®

#### Worldwide Headquarters:

EVERPURE, LLC  
1040 Muirfield Drive  
Hanover Park, Illinois 60133  
Toll Free (800) 323-7873  
Tel (630) 307-3000  
Fax (630) 307-3030  
<http://www.everpure.com>

#### In Europe:

Pentair Water Belgium B.V./B.A.  
Industriepark Wolfstee  
Toekomstlaan 30  
B-2200 Herentals  
BELGIUM  
TEL: +32.(0).14.283.500  
FAX: +32.(0).14.283.505

#### In Japan:

Hashimoto MN Bldg. 7F  
3-25-1 Hashimoto Sagamihara-Shi  
Kanagawa 229-1103  
JAPAN  
TEL: 81.(0)42.775.3011  
FAX: 81.(0)42.775.3015

## Free Manuals Download Website

<http://myh66.com>

<http://usermanuals.us>

<http://www.somanuals.com>

<http://www.4manuals.cc>

<http://www.manual-lib.com>

<http://www.404manual.com>

<http://www.luxmanual.com>

<http://aubethermostatmanual.com>

Golf course search by state

<http://golfingnear.com>

Email search by domain

<http://emailbydomain.com>

Auto manuals search

<http://auto.somanuals.com>

TV manuals search

<http://tv.somanuals.com>