



EV9333-40

# Exubera Pro CT Water Appliance

High volume premium water appliance for drinking water

Exubera Pro CT: EV9333-40



## BENEFITS

- Produces ambient, chilled and chilled carbonated water
- Combined with Everpure filtration technologies, allows for premium carafe water
- Capable of supplying water cooled to 38°F-50°F
- Efficient ice bank technology
- Durable construction
- UL Approved

## INSTALLATION TIPS

- Fill the ice bank before connecting CO<sub>2</sub>, main water supply or power
- Flush each dispenser before use
- Before connecting CO<sub>2</sub> run water through dispenser
- For water pressure regulation install water pressure reducer (calibrated to 43.5 PSI)
- Ensure John Guest fittings are secure before operation
- Ventilation required for optimal performance
- Do not place unit near any heat source
- To obtain optimal carbonation allow ice bank to form for at least 2 hours.
- Temperature setting should be between 5 and 7

## OPERATION TIPS

- Use water pressure regulator (supplied) to ensure proper water pressure.
- Optimal performance requires cleaning machine regularly & performing semi-annual sanitization
- To ensure the highest quality water, use in combination with an Everpure filtration system
- CO<sub>2</sub> Pressure: 43.5 - 58 PSI
- A 20 lb CO<sub>2</sub> cylinder will provide roughly 400 gallons of carbonated water\*\*
- \*\*Varies based on CO<sub>2</sub> pressure, Use water pressure regulator (supplied) to ensure proper water pressure.
- Optimal performance requires cleaning machine regularly & performing semi-annual sanitization
- To ensure the highest quality water, use in combination with an Everpure filtration system

## APPLICATION / SIZING

- Maximum Cold Water Capacity: 31.7 gph
- Maximum Continuous Cold Water Capacity: 18.5 gph
- Suggested tubing: 3/8" OD, 1/4" ID polyethylene tubing

# Exubera Pro CT Water Appliance

## SPECIFICATIONS

**Overall dimensions:**

20"H x 14"W x 24"D

**Inlet connections:**

3/8" OD John Guest Fittings

**Power Supply:**

115V, 60Hz, 800W, 12.0Amps

**Compressor Power:**

1/3 HP

**Refrigerant Gas:**

CFC Free R134a

**Maximum Cold Water Capacity:**

31.7 gph

**Maximum Continuous Cold Water Capacity:**

18.5 gph

**Shipping Weight:**

104 lbs

**Operating Weight:**

118 lbs

**Optimum Water Operating Pressure:**

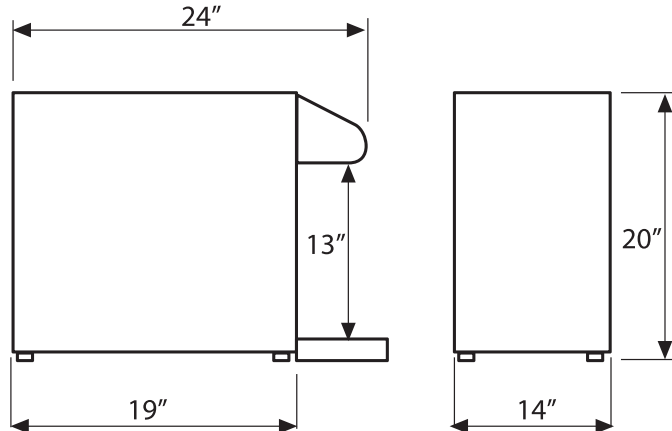
43.5 PSI (3 Bars)

**Water Pressure Range:**

29 - 43.5 PSI (2 - 3 Bars)

**C02 Pressure Range:**

43.5 - 58 PSI (3 - 4 Bars)



## WARRANTY

Everpure water treatment systems (excluding replaceable elements) are covered by a limited warranty against defects in material and workmanship for a period of five years after date of purchase. Everpure replaceable elements (filter cartridges and water treatment cartridges) are covered by a limited warranty against defects in material and workmanship for a period of one year after date of purchase. See printed warranty for details. Everpure will provide a copy of the warranty upon request. Everpure water treatment systems (excluding replaceable elements) are covered by a limited warranty against defects in material and workmanship for a period of five years after date of purchase. Everpure replaceable elements (filter cartridges and water treatment cartridges) are covered by a limited warranty against defects in material and workmanship for a period of one year after date of purchase. See printed warranty for details. Everpure will provide a copy of the warranty upon request. Everpure water treatment systems (excluding replaceable elements) are covered by a limited warranty against defects in material and

**EVERPURE®**

*Worldwide Headquarters:*  
EVERPURE, LLC  
1040 Muirfield Drive  
Hanover Park, Illinois 60133  
Toll Free (800) 323-7873  
Tel (630) 307-3000  
Fax (630) 307-3030  
<http://www.everpure.com>

*In Europe:*  
Pentair Water Belgium B.V./B.A.  
Industriepark Wolfstee  
Toekomstlaan 30  
B- 2200 Herentals  
BELGIUM  
TEL: +32.(0).14.283.500  
FAX: +32.(0).14.283.505

*In Japan:*  
Hashimoto MN Bldg. 7F  
3-25-1 Hashimoto Sagamihara-Shi  
Kanagawa 229-1103  
JAPAN  
TEL: 81.(0)42.775.3011  
FAX: 81.(0)42.775.3015

**Everpure**  
1040 Muirfield Drive  
Hanover Park, IL 60133

## Free Manuals Download Website

<http://myh66.com>

<http://usermanuals.us>

<http://www.somanuals.com>

<http://www.4manuals.cc>

<http://www.manual-lib.com>

<http://www.404manual.com>

<http://www.luxmanual.com>

<http://aubethermostatmanual.com>

Golf course search by state

<http://golfingnear.com>

Email search by domain

<http://emailbydomain.com>

Auto manuals search

<http://auto.somanuals.com>

TV manuals search

<http://tv.somanuals.com>