



EV9797-20

SR-X Feeder/Deliming System

Superior scale prevention and corrosion control for steam equipment



SR-X Feeder and Deliming System: EV9797-20

SS-10 Cartridge: EV9799-02

2.2 lb package ScaleKleen and Dip Tube

BENEFITS

- A complete system that effectively targets scale
- Provides protection against equipment corrosion
- A sophisticated blend of polyphosphate compound represents an advancement in scale inhibition
- Patented design (patent no. 5,580,448) dispenses a controlled amount of Hydroblend™ for long-term protection and provides greater effectiveness than standard phosphate treatments
- SS-10 cartridge is more effective in higher alkalinity/ hardness/ TDS/ temperature installations.
- Clear bowl and cartridge make it easy to determine when Hydroblend compound is exhausted
- System includes clear SR-X housing, SS-10 cartridge, dip tube assembly, (1) 2.2 lb. ScaleKleen package
- The SS-10 is NSF Certified under NSF/ANSI Standard 42 for material requirements only

INSTALLATION TIPS

- Choose a mounting location suitable to support the full weight of the system when operating
- Make sure to properly lubricate O-ring prior to use
- Use 3/4" water line (Optional reducer bushings included)
- Install vertically with bowl hanging down
- Allow 2-1/2" clearance below the cartridge for easy cartridge replacement
- For steam applications, connect the system to the boiler water only! Do not connect to the condenser!

OPERATION TIPS

- Deliming of equipment prior to application is recommended, but not required
- Inspect SS-10 cartridge at least every 6 months
- Replace SS-10 cartridge before Hydroblend™ compound is completely dissolved
- Pre-existing equipment scale may come loose and clog equipment. Remove any loose scale to assure satisfactory operation

APPLICATION/SIZING

- For scale reduction applications
- Provides scale reduction for steam applications
- Provides delimiting capabilities

SR-X Feeder/Delimiting System

SPECIFICATIONS

Overall Dimensions:
12.44"H x 5.16"W x 5.5"D

Inlet connection: 3/4"

Outlet connection: 3/4"

Service Flow Rate:
Maximum 6.0 gpm (22.7 Lpm)

Pressure Requirements:
10 - 125 psi (0.7 - 8.6 bar), non-shock

Temperature: 35 - 100°F (2 - 38°C)

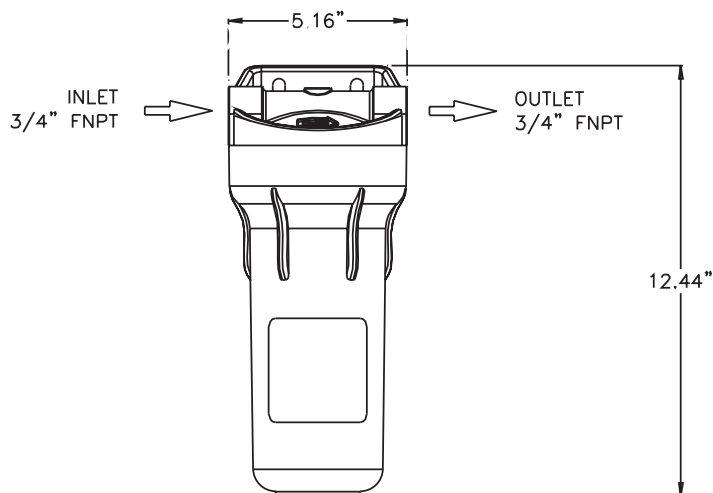
No electrical connection required

Shipping Weight: 6 lbs.

Operating Weight: 6 lbs.

**The ScaleStick® trademark is used pursuant to an agreement between PWC Enterprises and Everpure, Inc.

The contaminants or other substances removed or reduced by this drinking water system are not necessarily in your water. Do not use with water that is microbiologically unsafe or of unknown quality without adequate disinfection before or after the system. Systems certified for cyst reduction may be used with disinfected water that may contain filterable cysts.



WARRANTY

Everpure water treatment systems (excluding replaceable elements) are covered by a limited warranty against defects in material and workmanship for a period of five years after date of purchase. Everpure replaceable elements (filter cartridges and water treatment cartridges) are covered by a limited warranty against defects in material and workmanship for a period of one year after date of purchase. See printed warranty for details. Everpure will provide a copy of the warranty upon request.

EVERPURE®

Worldwide Headquarters:
EVERPURE, LLC
1040 Muirfield Drive
Hanover Park, Illinois 60133
Toll Free (800) 323-7873
Tel (630) 307-3000
Fax (630) 307-3030
<http://www.everpure.com>

In Europe:
Pentair Water Belgium B.V./B.A.
Industriepark Wolfstee
Toekomstlaan 30
B-2200 Herentals
BELGIUM
TEL: +32.(0).14.283.500
FAX: +32.(0).14.283.505

In Japan:
Hashimoto MN Bldg. 7F
3-25-1 Hashimoto Sagamihara-Shi
Kanagawa 229-1103
JAPAN
TEL: 81.(0)42.775.3011
FAX: 81.(0)42.775.3015

Free Manuals Download Website

<http://myh66.com>

<http://usermanuals.us>

<http://www.somanuals.com>

<http://www.4manuals.cc>

<http://www.manual-lib.com>

<http://www.404manual.com>

<http://www.luxmanual.com>

<http://aubethermostatmanual.com>

Golf course search by state

<http://golfingnear.com>

Email search by domain

<http://emailbydomain.com>

Auto manuals search

<http://auto.somanuals.com>

TV manuals search

<http://tv.somanuals.com>