

**eXmark**®



**QUEST**®

**For Serial Nos.  
720,000 & Higher**  
Part No. 4500-339 Rev. A

**Parts Manual**

**EXMARK PARTS PLUS**

***PARTS***

**OVERNIGHT**  
**OR *FREE*\***

If your Exmark dealer does not have the Exmark part in stock, Exmark will get the parts to the dealer the next business day or the part will be FREE Guaranteed!! (Some restrictions apply. See your participating Exmark Dealer for details.)

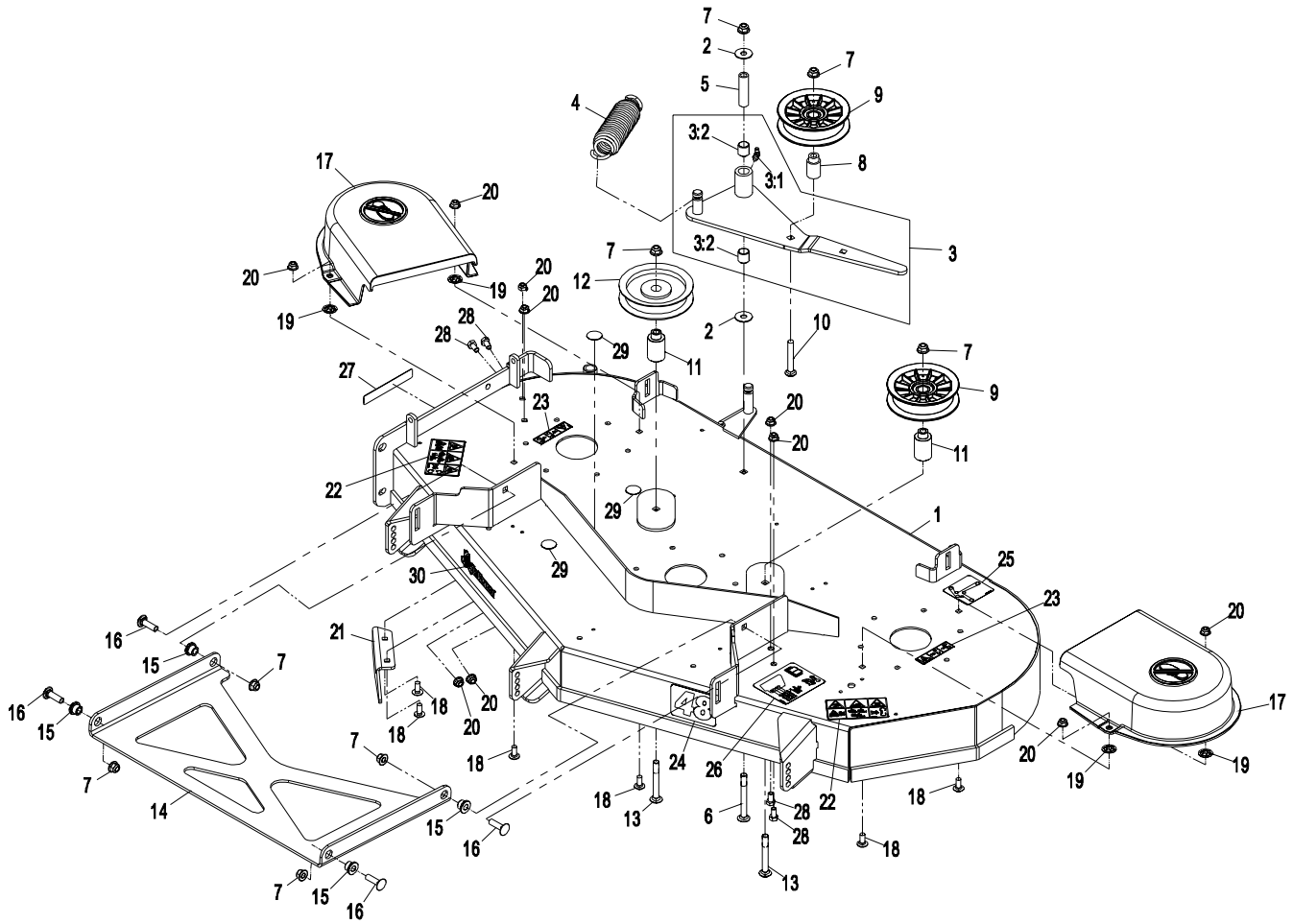


**READ OPERATOR'S MANUAL BEFORE  
OPERATING OR SERVICING EXMARK EQUIPMENT**

## **TABLE OF CONTENTS**

<b><u>Description</u></b>	<b><u>Page</u></b>
Cutter Housing Assembly .....	7
48" Deck Group .....	3-4
52" Deck Group .....	5-6
Decal Group .....	17
Electrical Diagram.....	19-20
Electrical Group .....	18
Electrical Logic Schematic.....	21-22
Engine Group .....	13-14
Frame Group .....	8-9
Fuel Group.....	12
Motion Control Group .....	10
Seat Group .....	11
Transaxle Assembly .....	16
Transaxle Group.....	15

# 48" DECK GROUP



Item	Part No.	Description	Qty.
1	109-6253	Asm, Deck W/Decals .....	1
2	52-2860	Washer .....	2
3	109-9158	Asm, Idler Arm W/Bearings .....	1
3:1	302-40	Zerk, 90° 1/4-28 .....	1
3:2	1-513034	Bearing .....	2
4	103-3330	Spring, Extension.....	1
5	1-603384	Bushing.....	1
6	3231-11	Bolt, Carriage 3/8-16 x 3 1/2 .....	1
7	104-8301	Nut, Nyloc 3/8-16 Flg .....	8
8	1-413113	Bushing.....	1
9	109-8891	Asm, Pulley and Bearing.....	2
10	3231-31	Bolt, Carriage 3/8-16 x 2 1/2 .....	1
11	109-6572	Bushing.....	2
12	1-603384	Pulley, Idler .....	1
13	109-6868	Bolt, Carriage 3/8-16 x 3 .....	2
14	109-3723-01	Strut, Deck .....	1
15	109-8788	Bushing, Flanged.....	4

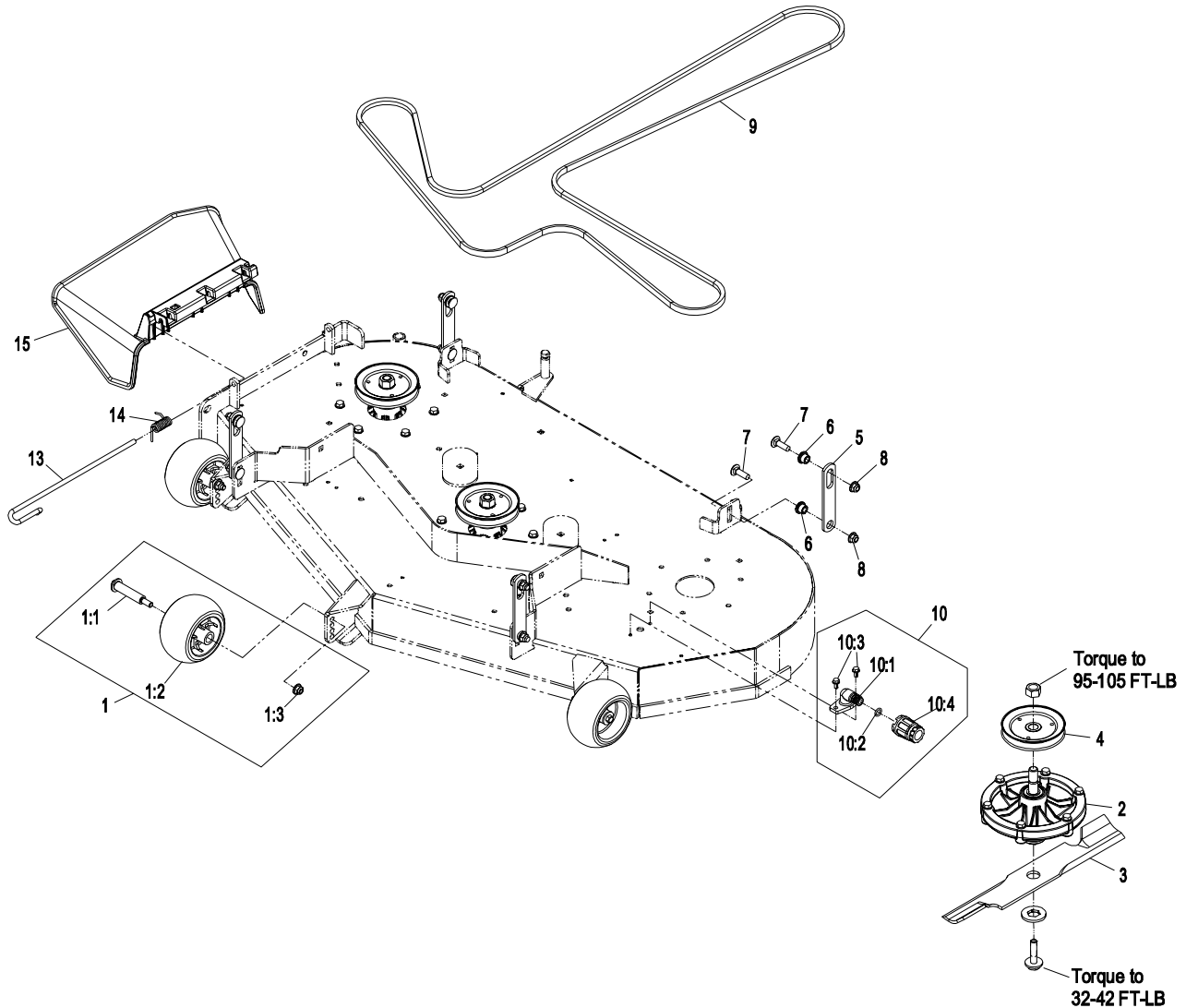
Item	Part No.	Description	Qty.
16	3231-25	Bolt, Carriage 3/8-16 x 1 1/4 .....	4
17	109-3449	Shield, Belt .....	2
18	3230-23	Bolt, Carriage 5/16-18 x 3/4 Short Neck .6	6
19	109-5667	Ring, Bolt Retaining .....	4
20	104-8300	Nut, Nyloc 5/16-18 Flg .....	10
21	109-5498-03	Baffle, Discharge .....	1
22	110-6691	Decal, Danger.....	2
23	109-6459	Decal, Belt Shield Warning .....	2
24	109-6034	Decal, Deck 48 .....	1
25	109-6035	Decal, Belt Routing.....	1
26	109-6036	Decal, Anti-Scalp Roller .....	1
27	93-7009	Decal, Danger.....	1
28	322-2	Screw, HH 5/16-18 x 5/8.....	4
29	109-9159	Decal, Hole Cover.....	3
30	1-303520	Decal, Trivantage.....	1
▲	109-8745	Asm, 48 Deck Complete	

Exmark black touch up spray paint – gloss black.

Exmark red touch up paint (spray paint - P/N 1-850337 - .6 oz liquid bottle - P/N 103-9140).

▲ Includes all item shown on pages 3, 4 & 7. Does not include struts or strut hardware.

## 48" DECK GROUP (Continued)



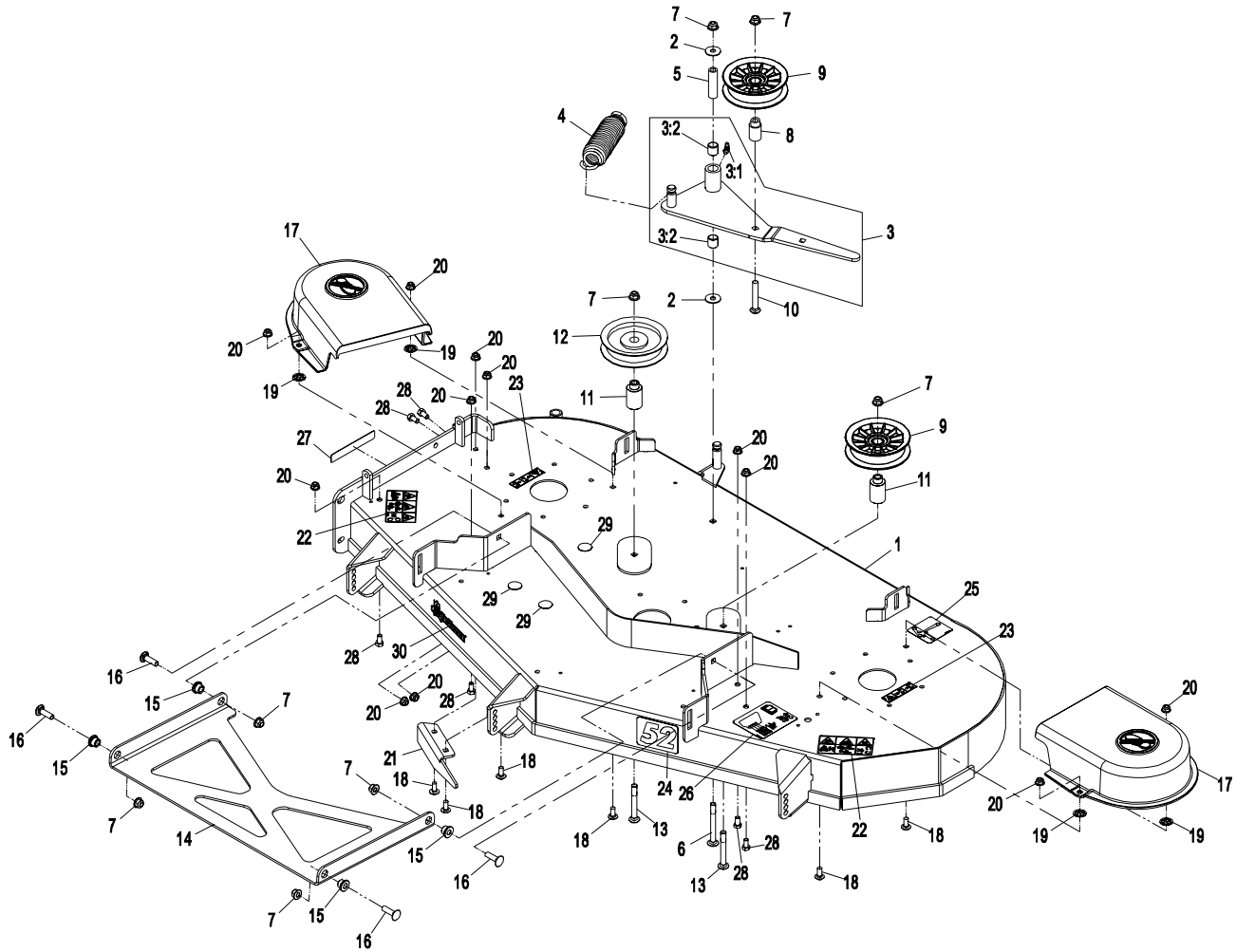
Item	Part No.	Description	Qty.
1	109-6388	Kit, Anti-Scalp Roller .....	3
1:1	112-3977	Bolt, Shoulder .....	1
1:2	1-603299	Roller, Anti-Scalp .....	1
1:3	104-8301	Nut, Nyloc 3/8-16 Flg .....	1
2	109-8744	Asm, Cutter Housing Complete .....	3
3	103-6401	Blade, Notched .....	3
■	109-6389	Blade, Mulch .....	3
	109-6391	Blade, High Lift.....	3
4+	109-3747	Sheave, Blade Drive .....	3
5	109-3410	Hanger, Deck.....	4
6	109-8788	Bushing, Flanged.....	8

Item	Part No.	Description	Qty.
7	3231-25	Bolt, Carriage 3/8-16 x 1 1/4 .....	8
8	104-8301	Nut, Nyloc 3/8-16 Flg.....	8
9	109-5364	Belt .....	1
10	109-6393	Kit, Washout Port.....	1
10:1	95-2747	Fitting, Washout Port .....	1
10:2	46-6290	O-Ring.....	1
10:3	93-6083	Screw, HWH 1/2-20 x 1/2 Taptite.....	2
10:4	95-3270	Connector, Hose.....	1
13	109-8854	Pin, Chute.....	1
14	109-6886	Spring.....	1
15	109-5151	Chute, Deflector.....	1

Exmark red touch up paint (spray paint - P/N 1-850337 - .6 oz liquid bottle - P/N 103-9140).

- + Apply Mobil HTS grease (P/N 103-5217 1.5 oz packet) (or a food-grade anti-seize) between the spindles & sheaves. DO NOT use a copper or nickel based anti-seize.
- Requires installation of Micro-Mulch accessory for proper mulching. Mulch kit P/N 109-5980.

# 52" DECK GROUP



Item	Part No.	Description	Qty.
1	109-6254	Asm,52 Deck W/ Decals.....	1
2	52-2860	Washer .....	2
3	109-9158	Asm, Idler Arm W/Bearings .....	1
3:1	302-40	Zerk, 90° 1/4-28 .....	1
3:2	1-513034	Bearing .....	2
4	103-3330	Spring, Extension.....	1
5	1-603384	Bushing.....	1
6	3231-11	Bolt, Carriage 3/8-16 x 3 1/2 .....	1
7	104-8301	Nut, Nyloc 3/8-16 Flg .....	8
8	1-413113	Bushing.....	1
9	109-8891	Asm, Sheave and Bearing.....	2
10	3231-31	Bolt, Carriage 3/8-16 x 2 1/2 .....	1
11	109-6572	Bushing.....	2
12	1-603843	Pulley, Idler .....	1
13	109-6868	Bolt, Carriage 3/8-16 x 3 .....	2
14	109-3723-01	Strut, Deck .....	1
15	109-8788	Bushing, Flanged.....	4

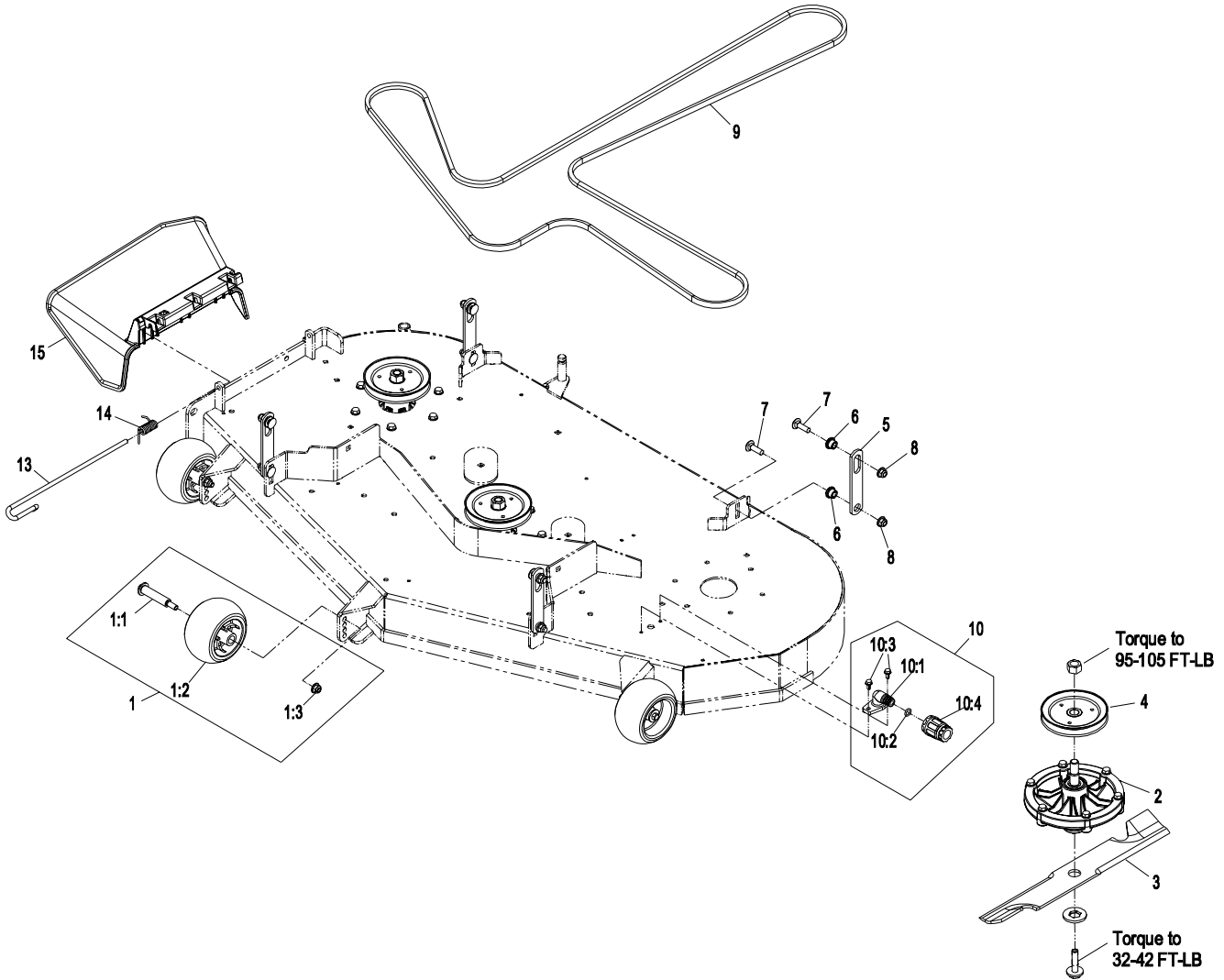
Item	Part No.	Description	Qty.
16	3231-25	Bolt, Carriage 3/8-16 x 1 1/4 .....	4
17	109-3449	Shield, Belt .....	2
18	3230-23	Bolt, Carriage 5/16-18 x 3/4 Short Neck .	6
19	109-5667	Ring, Bolt Retaining.....	4
20	104-8300	Nut, Nyloc 5/16-18 Flg .....	12
21	109-5498-03	Baffle, Discharge .....	1
22	110-6691	Decal, Danger.....	2
23	109-6459	Decal, Belt Shield Warning .....	2
24	109-6033	Decal, Deck 52 .....	1
25	109-6035	Decal, Belt Routing.....	1
26	109-6036	Decal, Anti-Scalp Roller .....	1
27	93-7009	Decal, Danger.....	1
28	322-2	Screw, HH 5/16-18 x 5/8.....	6
29	109-9159	Decal, Hole Cover.....	3
30	1-303520	Decal, Trivantage.....	1
▲	109-8746	Asm,52 Deck Complete	

Exmark black touch up spray paint – gloss black.

Exmark red touch up paint (spray paint - P/N 1-850337 - .6 oz liquid bottle - P/N 103-9140).

▲ Includes all item shown on pages 5, 6 & 7. Does not include struts or strut hardware.

## 52" DECK GROUP (Continued)



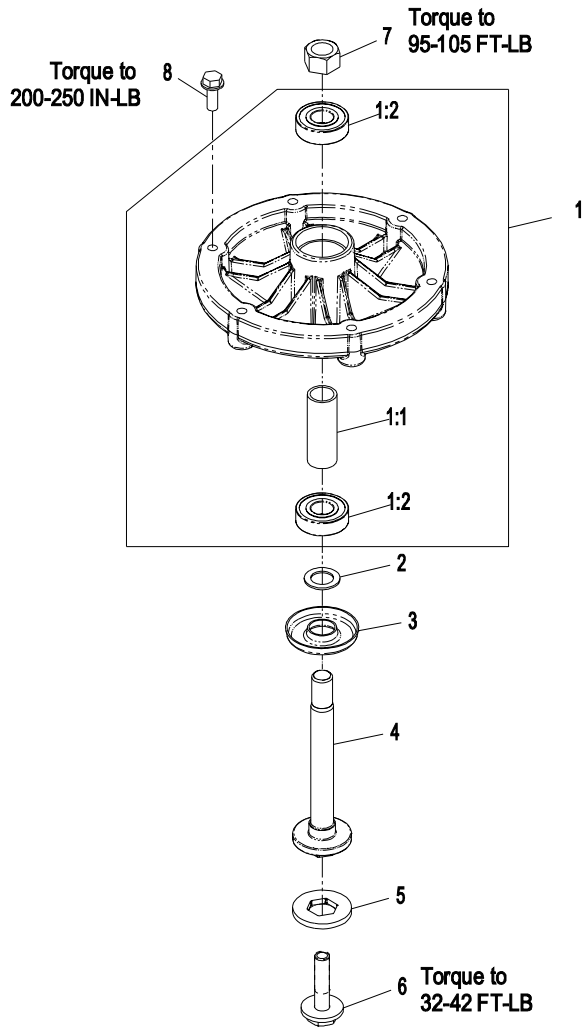
Item	Part No.	Description	Qty.
1	109-6388	Kit, Anti-Scalp Roller .....	3
1:1	112-3977	Bolt, Shoulder .....	1
1:2	1-603299	Roller, Anti-Scalp .....	1
1:3	104-8301	Nut, Nyloc 3/8-16 Flg .....	1
2	109-8744	Asm, Cutter Housing Complete.....	3
3	103-6402	Blade, Notched 18.0 .....	3
■	109-6390	Blade, Mulch.....	3
	109-6392	Blade, High Lift .....	3
4+	109-3671	Sheave, Blade Drive .....	3
5	109-3410	Hanger, Deck.....	4
6	109-8788	Bushing, Flanged.....	8

Item	Part No.	Description	Qty.
7	3231-25	Bolt, Carriage 3/8-16 x 1 1/4 .....	8
8	104-8301	Nut, Nyloc 3/8-16 Flg.....	8
9	109-3661	Belt .....	1
10	109-6393	Kit, Washout Port.....	1
10:1	95-2747	Fitting, Washout Port .....	1
10:2	46-6290	O-Ring .....	1
10:3	93-6083	Screw, HWH 1/2-20 x 1/2 Tapite.....	2
10:4	95-3270	Connector, Hose.....	1
13	109-8854	Pin, Chute.....	1
14	109-6886	Spring.....	1
15	109-5151	Chute, Deflector.....	1

Exmark red touch up paint (spray paint - P/N 1-850337 - .6 oz liquid bottle - P/N 103-9140).

- ✦ Apply Mobil HTS grease (P/N 103-5217 1.5 oz packet) (or a food-grade anti-seize) between the spindles & sheaves. DO NOT use a copper or nickel based anti-seize.
- Requires installation of Micro-Mulch accessory for proper mulching. Mulch kit P/N 109-5982.

# CUTTER HOUSING ASSEMBLY



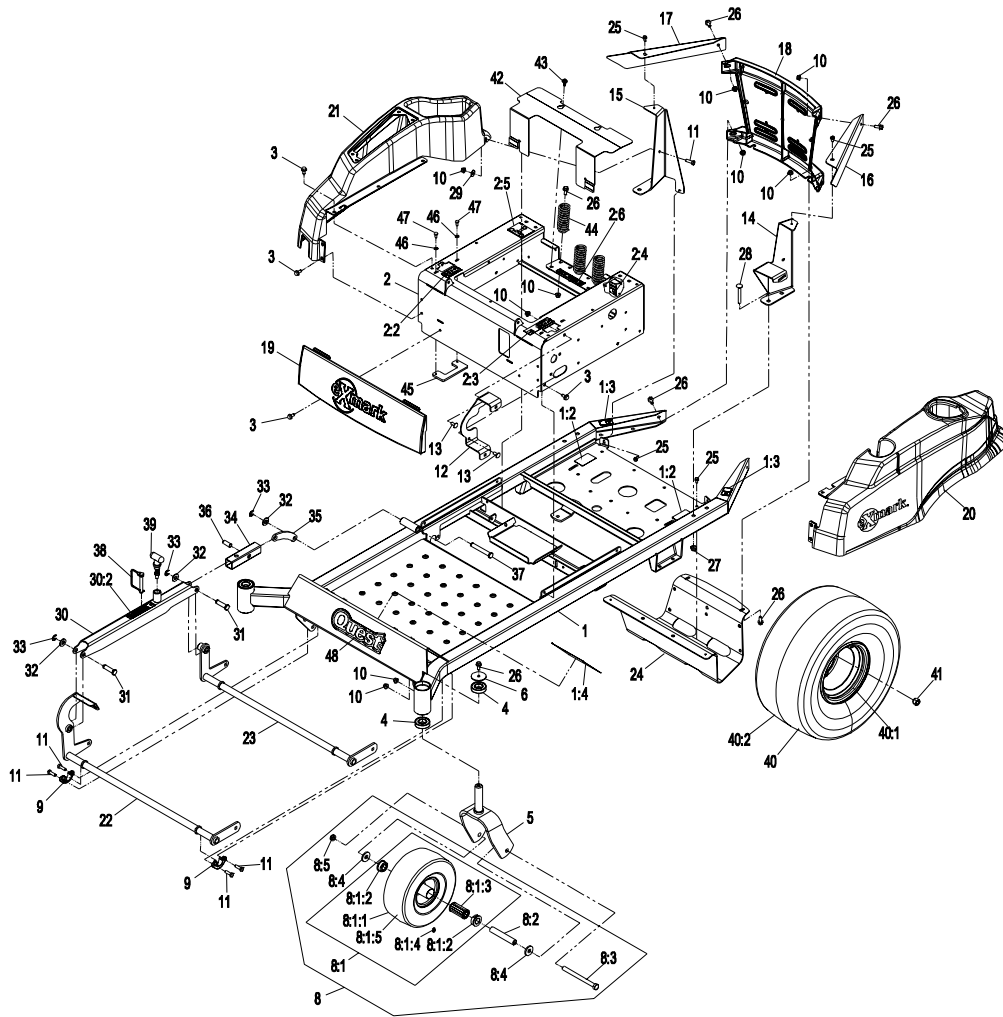
Item	Part No.	Description	Qty.
1	109-9380	Asm, Cutter Housing.....	1
1:1	62-3661	Spacer, Bearing.....	1
1:2+	109-9379	Bearing, Ball.....	2
2	80-4380	Spacer.....	1
3	80-4360	Shield, Bearing.....	1

Item	Part No.	Description	Qty.
4	109-7431	Spindle, Hex Pilot.....	1
5	109-7429	Washer, Blade Drive.....	1
6	116-0005	Bolt, Sems Blade.....	1
7	3219-6	Nut, Hex 5/8-18.....	1
8	32144-41	Screw, HWH 3/8-16 x 7/8 Taptite.....	6

+ Apply Mobil HTS grease (P/N 103-5217 1.5 oz packet) (or a food-grade anti-seize) between the spindle & bearings. DO NOT use a copper or nickel based anti-seize.



# FRAME GROUP



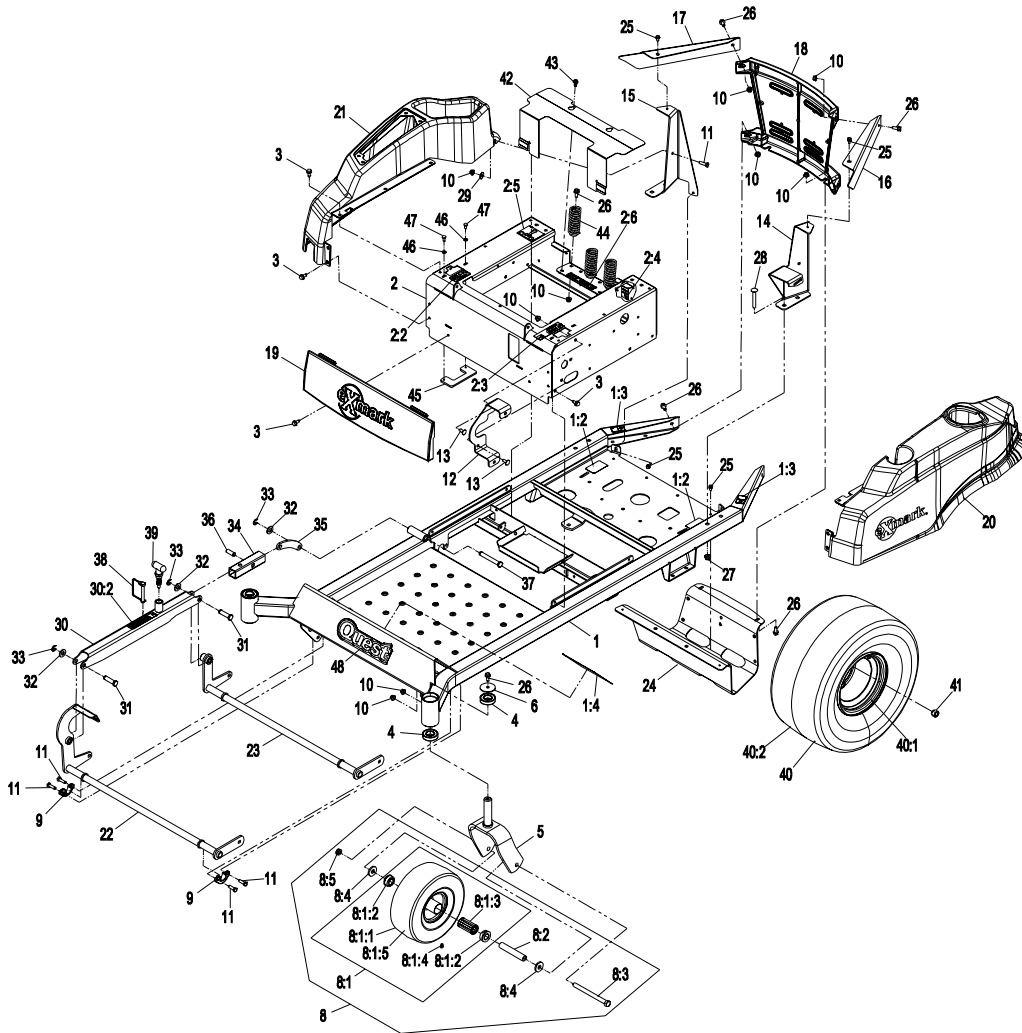
Item	Part No.	Description	Qty.
1	109-8825	Asm, Frame W/ Decal .....	1
1:2	109-6008	Decal, Drive Release .....	2
1:3	106-5517	Decal, Surface, Hot .....	2
1:4	109-8965	Decal, Safety Warning .....	1
2	109-8845	Asm, Seat Box W/ Decals .....	1
2:2	109-9182	Decal, Control, Motion .....	1
2:3	109-9173	Decal, Control/Brake .....	1
2:4	109-9120	Decal, Fuse Block .....	1
2:5	109-6014	Decal, Belt Routing .....	1
2:6	109-6210	Decal, Danger .....	1
3	32144-70	Screw, HWH 5/16-18 x 3/4 TF .....	16
4	109-3678	Bearing, Ball .....	4
5	109-6218-01	Wld, Caster Fork .....	2
6	109-3724	Washer .....	2
8	109-6405	Asm, Caster Wheel .....	2
8:1	105-1863	Asm, Caster Wheel W/Bearings .....	1
8:1:1	105-1864	Tire .....	1
8:1:2	62-5580	Bearing .....	2
8:1:3	83-4740	Bearing .....	1

Item	Part No.	Description	Qty.
8:1:4	302-5	Zerk 1/4-28 Str Thrd Forming .....	1
8:1:5	93-4244	Tube, Inner .....	1
8:2	104-3667	Spanner, Wheel .....	1
8:3	325-20	Screw, HH 1/2-13 x 6 .....	1
8:4	92-2651	Washer .....	2
8:5	3296-45	Nut, Nyloc 1/2-13 Thin .....	1
9	109-3667	Bearing, Flange .....	4
10	104-8300	Nut, Nyloc 5/16-18 Flg .....	21
11	322-5	Screw, HH 5/16-18 x 1 .....	10
12	109-6045-03	Bracket, Tank Mount .....	1
13	3230-23	Bolt, Carriage 5/16-18 x 3/4, Short Neck .....	2
14	109-6867-01	Bracket, Rear Tank (LH) .....	1
15	109-3406-01	Bracket, Rear Console (RH) .....	1
16	109-3381-01	Guard, Engine (LH) .....	1
17	109-3391-01	Guard, Engine (RH) .....	1
18	109-5363-01	Casting, Rear .....	1
19	109-3709	Panel, Front .....	1
20	109-3707	Fender, Exmark (LH) .....	1
21	109-3708	Fender, Exmark (RH) .....	1

Exmark black touch up spray paint – gloss black.

Exmark red touch up paint (spray paint - P/N 1-850337 - .6 oz liquid bottle - P/N 103-9140).

## FRAME GROUP (Continued)



Item	Part No.	Description	Qty.
22	109-8870-01	Wld, Shaft Front.....	1
23	109-8871-01	Wld, Shaft Rear.....	1
24	114-1658-03	Guard, Muffer.....	1
25	9266714	Screw, HWH 1/4-20 x .50.....	6
26	3234-5	Screw, HH FLG 5/16-18 x 3/4 .....	11
27	104-8301	Nut, Nyloc 3/8-16 Flg .....	4
28	3231-9	Bolt, Carriage 3/8-16 x 2 3/4 .....	4
29	3256-3	Washer, 5/16 Std .....	2
30	109-8758	Asm, Height Adjust W/ Decal .....	1
30:2	109-8759	Decal, Cut Height.....	1
31	109-5819	Pin, Clevis.....	2
32	3256-26	Washer, 1/2 SAE .....	3
33	32120-47	Ring, Retaining .....	3
34	109-8755	Stop, Height Adjust .....	1
35	109-5814	Arm, Float Link.....	1
36	109-5818	Pin, Pivot.....	1
37	109-6172	Pin, Clevis.....	1

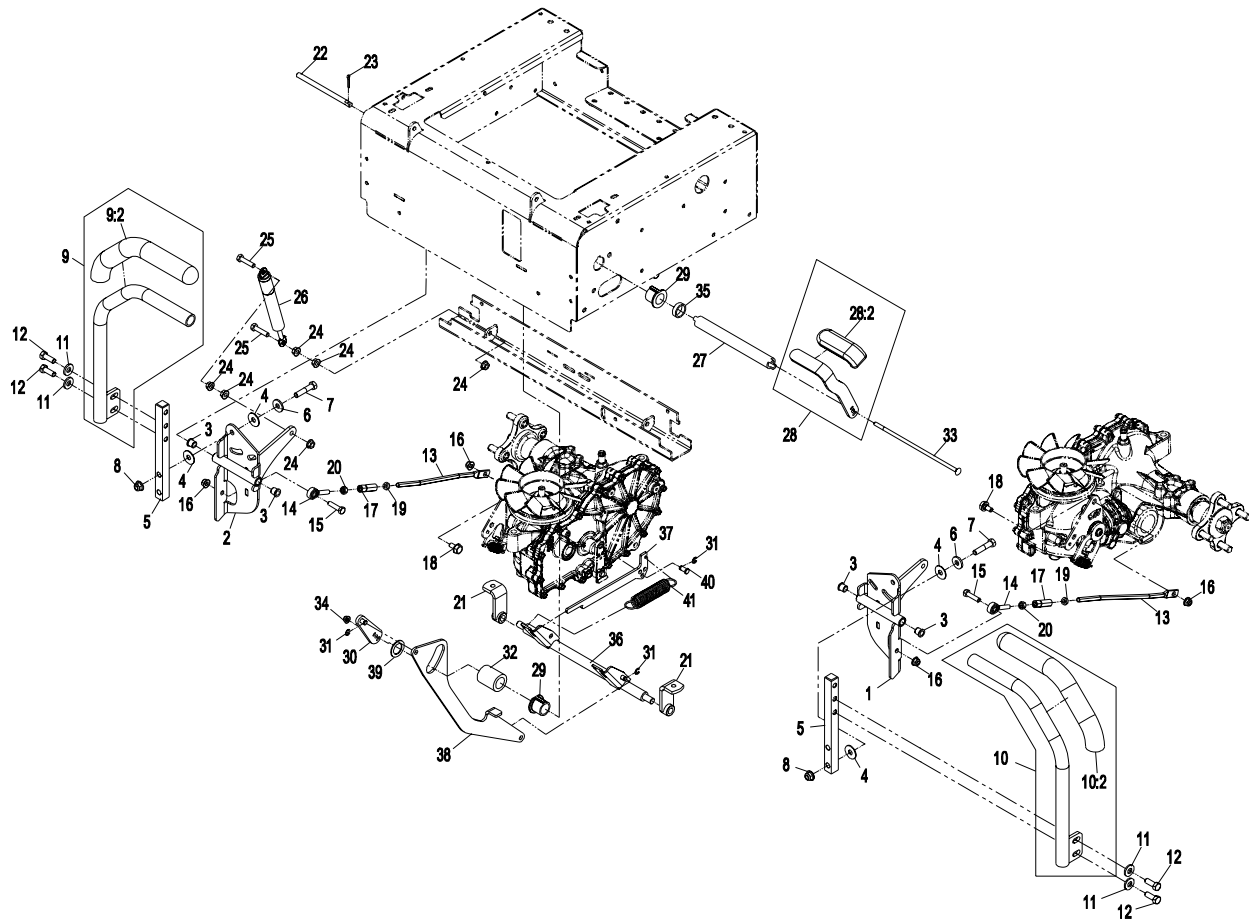
Item	Part No.	Description	Qty.
38	93-4696	Pin, Hitch .....	1
39+	109-6177	Pin, Spring.....	1
40	109-5486	Asm, Wheel And Tire (48" Only) .....	2
40	109-5268	Asm, Wheel And Tire (52" Only) .....	2
40:1	109-5487	Wheel (48" Only).....	1
40:1	109-5270	Wheel (52" Only).....	1
40:2	109-5488	Tire, 20 X 8-8 (48" Only) .....	1
40:2	109-5269	Tire, 20 X 10-8 (52" Only) .....	1
41	242-50	Nut, Lug 1/2-20 .....	8
42	109-6190-03	Cover, Hydro Fan .....	1
43	99-6810	Screw, HH 1/4-20 x 5/8.....	2
44	92-7054	Spring, Compression .....	3
45	109-6214	Stop, Motion Control .....	2
46	1-303435	Washer, Spring Disc 1/4 .....	4
47	321-2	Screw, HH 1/4-20 x 1/2.....	4
48	109-6280	Decal, Quest Logo .....	1

Exmark black touch up spray paint – gloss black.

Exmark red touch up paint (spray paint - P/N 1-850337 - .6 oz liquid bottle - P/N 103-9140).

✚ Use Pro-Lock, Nut Type (P/N 1-840022, .5ml tube) on Spring Pin hub threads.

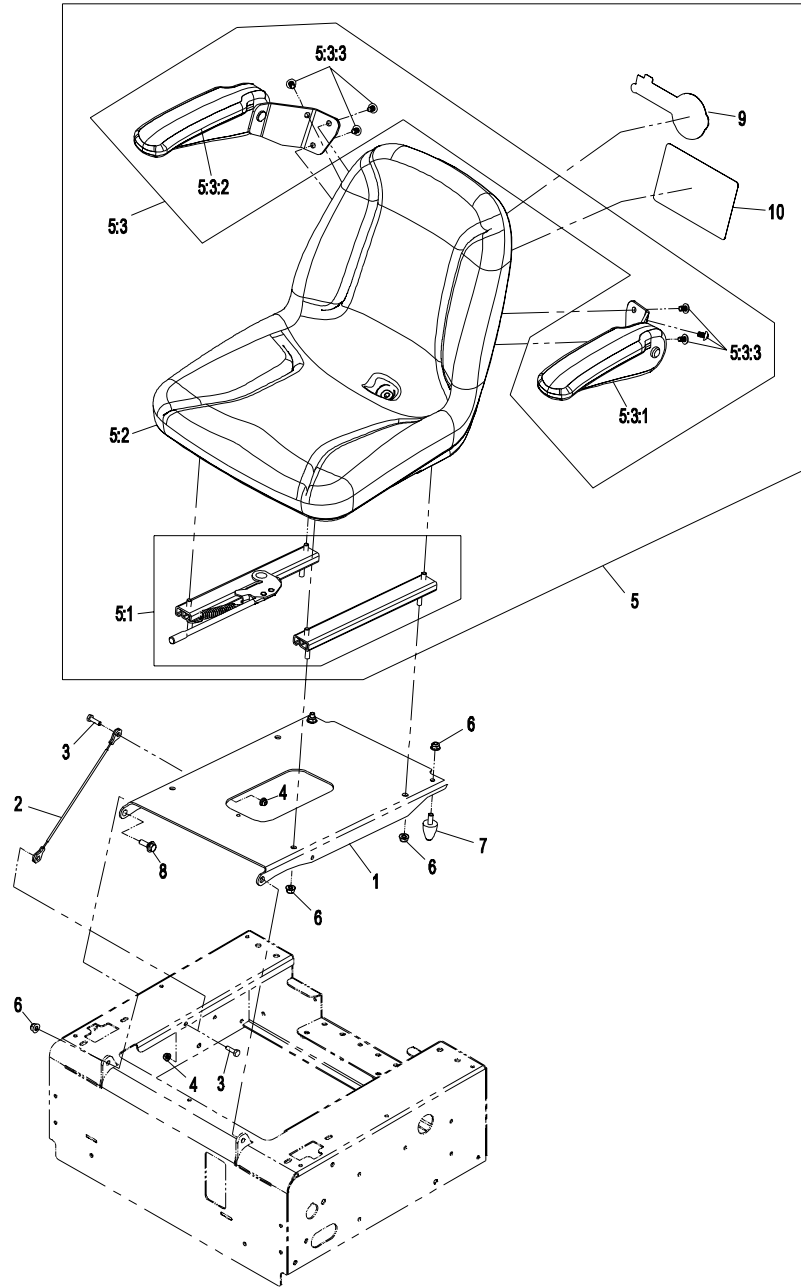
# MOTION CONTROL GROUP



Item	Part No.	Description	Qty.
1	109-6915	Wld, Motion Control Pivot (LH) .....	1
2	109-6914	Wld, Motion Control Pivot (RH) .....	1
3	103-9928	Bearing .....	4
4	52-2900	Washer .....	8
5	109-3689	Post, Lever Mount.....	2
6	5-0838	Washer .....	4
7	323-9	Screw, HH 3/8-16 x 1 3/4 .....	4
8	104-8301	Nut, Nyloc 3/8-16 Flg .....	4
9	109-7098	Asm, Lever W/Grip (RH) .....	1
9:2	109-5192	Grip, Control Lever.....	1
10	109-7099	Asm, Lever W/Grip (LH).....	1
10:2	109-5192	Grip, Control Lever.....	1
11	98-5975	Washer, Spring Disc 3/8.....	4
12	323-6	Screw, HH 3/8-16 x 1 .....	4
13	109-3414	Rod, Steering.....	2
14	2411-53	Balljoint LH.....	2
15	322-6	Screw, HH 5/16-18 x 1 1/4 .....	2
16	104-8300	Nut, Nyloc 5/16-18 Flg .....	4
17	109-3728	Nut, Rod Adjustment.....	2
18	37-8771	Screw, Shoulder 5/16-18 x 5/8 .....	2
19	3220-2	Nut, Jam 5/16-24 .....	2
20	3220-20	Nut, Jam 5/16-24 .....	2

Item	Part No.	Description	Qty.
21	109-6220	Wld, Brake Pivot .....	2
22	109-3705	Pin, Control Pivot .....	2
23	3272-10	Pin, Cotter 1/8 x 3/4 .....	2
24	32128-20	Nut, Whizlock 5/16-18.....	12
25	1-403180	Screw, HH 5/16-18 x 1 1/4 Sp.....	4
26	109-5957	Damper, Motion Control.....	2
27	109-5825	Tube, Brake Pivot .....	1
28	109-5918	Asm, Lever W/Grip .....	1
28:2	1-633268	Grip, Brake Lever.....	1
29	107-7581	Bushing .....	2
30	109-5824	Wld, Bellcrank.....	1
31	701197	E-Ring .....	4
32	109-5834	Spacer .....	1
33	109-5868	Bolt, Carriage 1/4-20 x 9 .....	1
34	104-7201	Nut, Nyloc 1/4-20 Flg .....	1
35	109-5914	Spacer .....	1
36	109-8765	Asm, Brake Shaft.....	1
37	109-6907	Link, Brake Actuation.....	2
38	109-5833	Arm, Brake.....	1
39	99-4958	Spacer .....	1
40	109-6887	Pin, Clevis 5/16 x 5/8 .....	2
41	1-603693	Spring.....	2

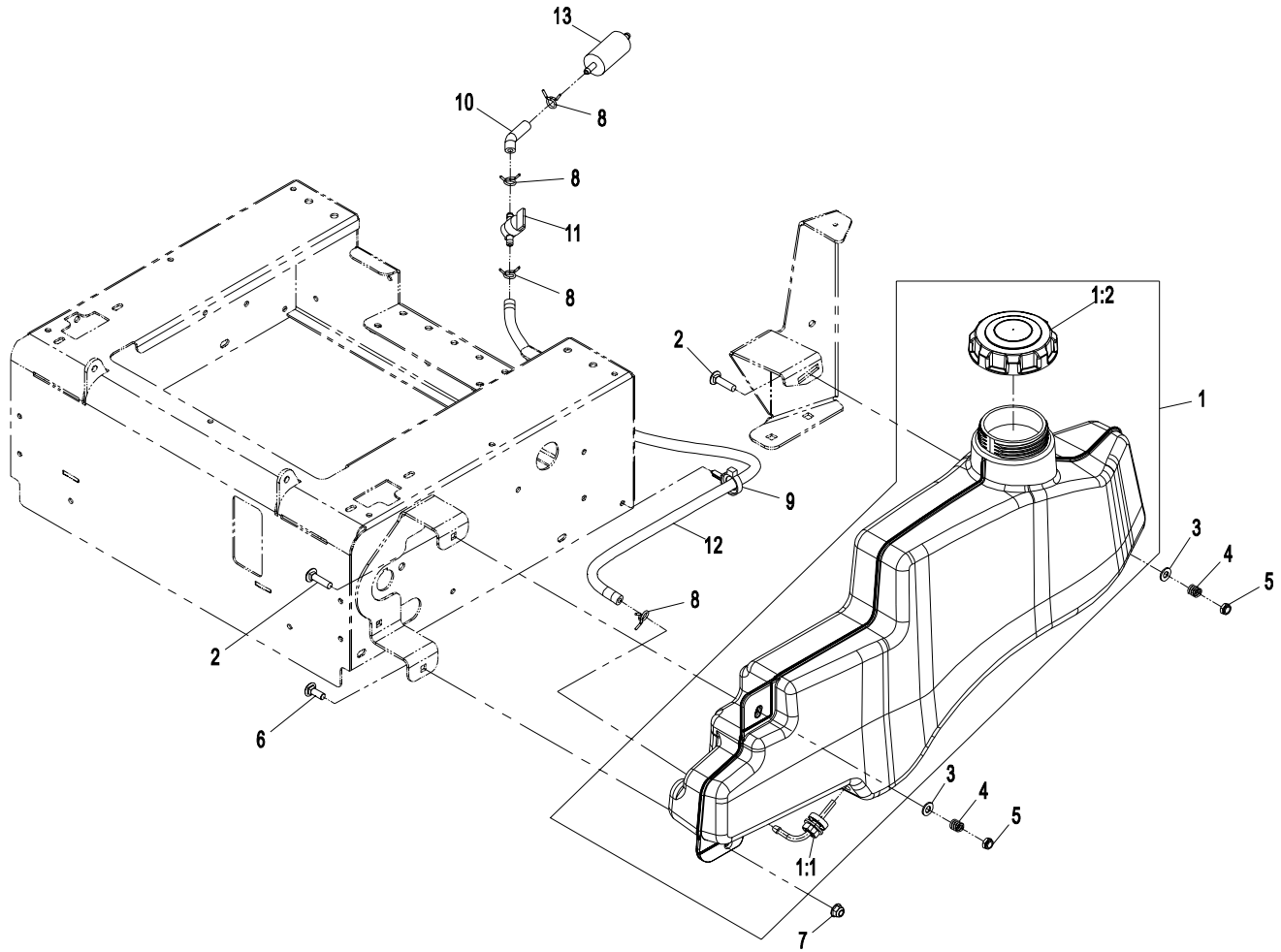
# SEAT GROUP



Item	Part No.	Description	Qty.
1	109-6916	Asm, Seat Plate .....	1
2	109-2628	Cable-Stop, Seat.....	1
3	321-5	Screw, HH 1/4-20 x 7/8 .....	2
4	104-7201	Nut, Nyloc 1/4-20 Flg .....	2
5	109-6399	Asm, Seat W/Decals .....	1
5:1	107-1880	Kit, Seat Tracks.....	1
5:2	109-6382	Seat .....	1
5:3	108-6163	Armrest Kit.....	1

Item	Part No.	Description	Qty.
5:3:1	110-6569	LH Armrest Kit .....	1
5:3:2	110-6570	RH Armrest Kit.....	1
5:3:3	108-6179	Screw, Button Head 5/16-18 x 1/2 .....	6
6	104-8300	Nut, Nyloc 5/16-18 Flg .....	8
7	103-9376	Bumper-Seat .....	2
8	27-0410	Screw, Shoulder 5/16-18 x 1 Sp.....	2
9	103-3999	Decal, Exmark Logo.....	1
10	109-6016	Decal, Service Aid .....	1

# FUEL GROUP

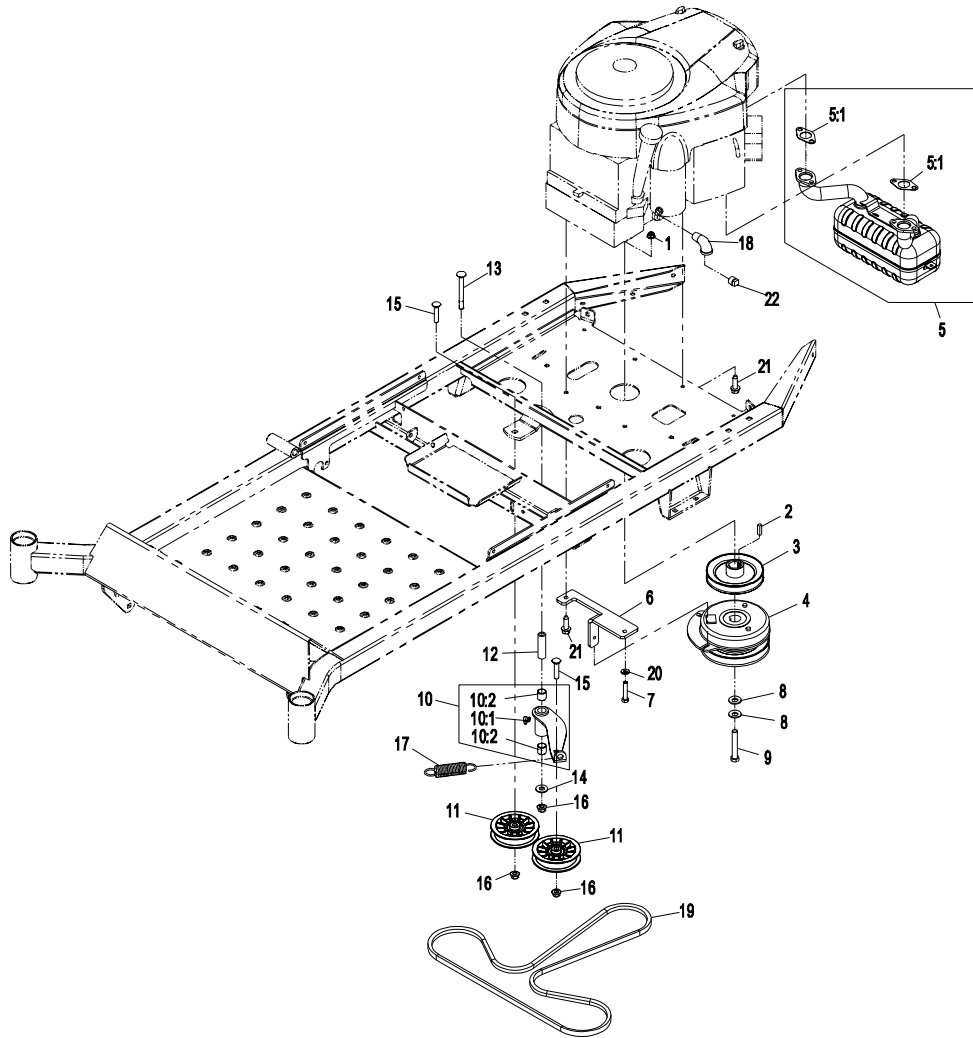


Item	Part No.	Description	Qty.
1	109-5510	Asm, Fuel Tank.....	1
1:1	103-2605	Fitting, Fuel Bulkhead W/Strainer.....	1
	103-2784	O-Ring.....	1
1:2	109-0346	Cap, Fuel.....	1
2	3230-3	Bolt, Carriage 5/16-18 x 1 1/4.....	2
3	3256-23	Washer, 5/16 SAE.....	2
4	1-633349	Spring, Compression.....	2
5	3296-47	Nut, Nyloc 5/16-18 Thin.....	2
6	3230-16	Bolt, Carriage 5/16-18 x 7/8.....	1

Item	Part No.	Description	Qty.
7	104-8300	Nut, Nyloc 5/16-18 Flg.....	1
8	1-303077	Clamp, Fuel Line.....	4
9	105-1853	Clamp, Fuel Line.....	1
10	109-0304	Hose, Fuel Line 2 1/2".....	1
11	1-603770	Valve, Fuel.....	1
12	109-0286	Hose, Fuel Line 35".....	1
13♦	Briggs & Stratton Part No. 695666	Fuel Filter.....	1
	Kohler Command Part No. 24 050 10	Fuel Filter.....	1

♦ Refer to Engine Owner's manual. (Fuel filter **Must** be 30 Micron).

# ENGINE GROUP –BRIGGS & STRATTON



Item	Part No.	Description	Qty.
1	104-8300	Nut, Nyloc 5/16-18 Flg .....	1
2	5-7280	Key, Machine 1/4 SQ x 1.....	1
3	109-3386	Sheave .....	1
4	110-6766	Clutch-Electric.....	1
5	109-8851	Asm, Muffler W/Gaskets.....	1
5:1	104-3226	Gasket .....	2
6	109-8855-03	Anchor, Clutch .....	1
7	322-10	Screw, HH 5/16-18 x 2 .....	1
8	1-603610	Washer, Spring Disc 7/16.....	2
9◆	3212-11	Screw, HH 7/16-20 x 2 3/4 .....	1
10	109-9162	Asm, Idler Arm W/Bearings .....	1
10:1	302-40	Zerk, 90° 1/4-28 .....	1
10:2	1-513034	Sleeve, Bearing.....	2

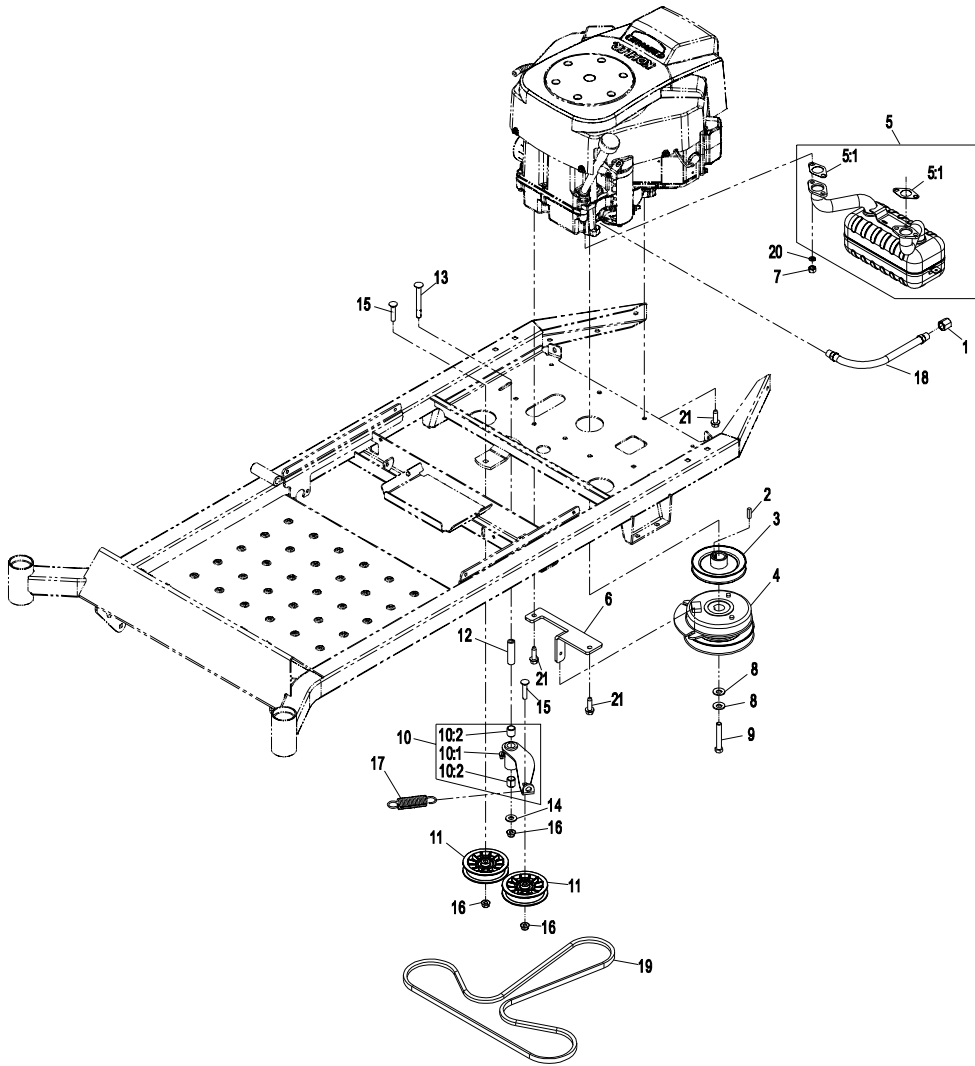
Item	Part No.	Description	Qty.
11	109-3397	Pulley, Flat Idler 3.50 Dia. ....	2
12	1-603384	Bushing, Pivot Idler.....	1
13	3231-11	Bolt, Carriage 3/8-16 x 3 1/2 .....	1
14	3256-4	Washer, 3/8 Std.....	1
15	3231-5	Bolt, Carriage 3/8-16 x 1 3/4 .....	2
16	104-8301	Nut, Nyloc 3/8-16 Flg.....	3
17	1-603402	Spring.....	1
18▼	1-403124	Elbow, 90° .....	1
19	109-3388	Belt.....	1
20	1-303334	Washer, Spring Disc 5/16 .....	1
21◆	32144-109	Screw, HWH 3/8-16 x 1 1/4 Taptite.....	3
22▼	281-2	Plug, Pipe.....	1

Exmark black touch up spray paint – gloss black.

▼ Use a Teflon Pipe Sealant or equivalent on threads.

◆ Use Pro-Lock, Nut Type (P/N 1-840022, .5ml tube) on clutch bolt and self-tapping engine mounting bolts.

# ENGINE GROUP – KOHLER COMMAND



Item	Part No.	Description	Qty.
1▼	288-10	Cap, Pipe .....	1
2	5-7280	Key, Machine 1/4 SQ x 1.....	1
3	109-3386	Sheave .....	1
4	110-6766	Clutch-Electric.....	1
5	109-8951	Asm, Muffler W/Gaskets.....	1
5:1	110-6697	Gasket .....	2
6	109-8855-03	Anchor, Clutch .....	1
7	33014-00	Nut, Hex M8-1.25.....	4
8	1-603610	Washer, Spring Disc 7/16.....	2
9◆	3212-11	Screw, HH 7/16-20 x 2 3/4.....	1
10	109-9162	Asm, Idler Arm W/Bearings.....	1
10:1	302-40	Zerk, 90° 1/4-28.....	1

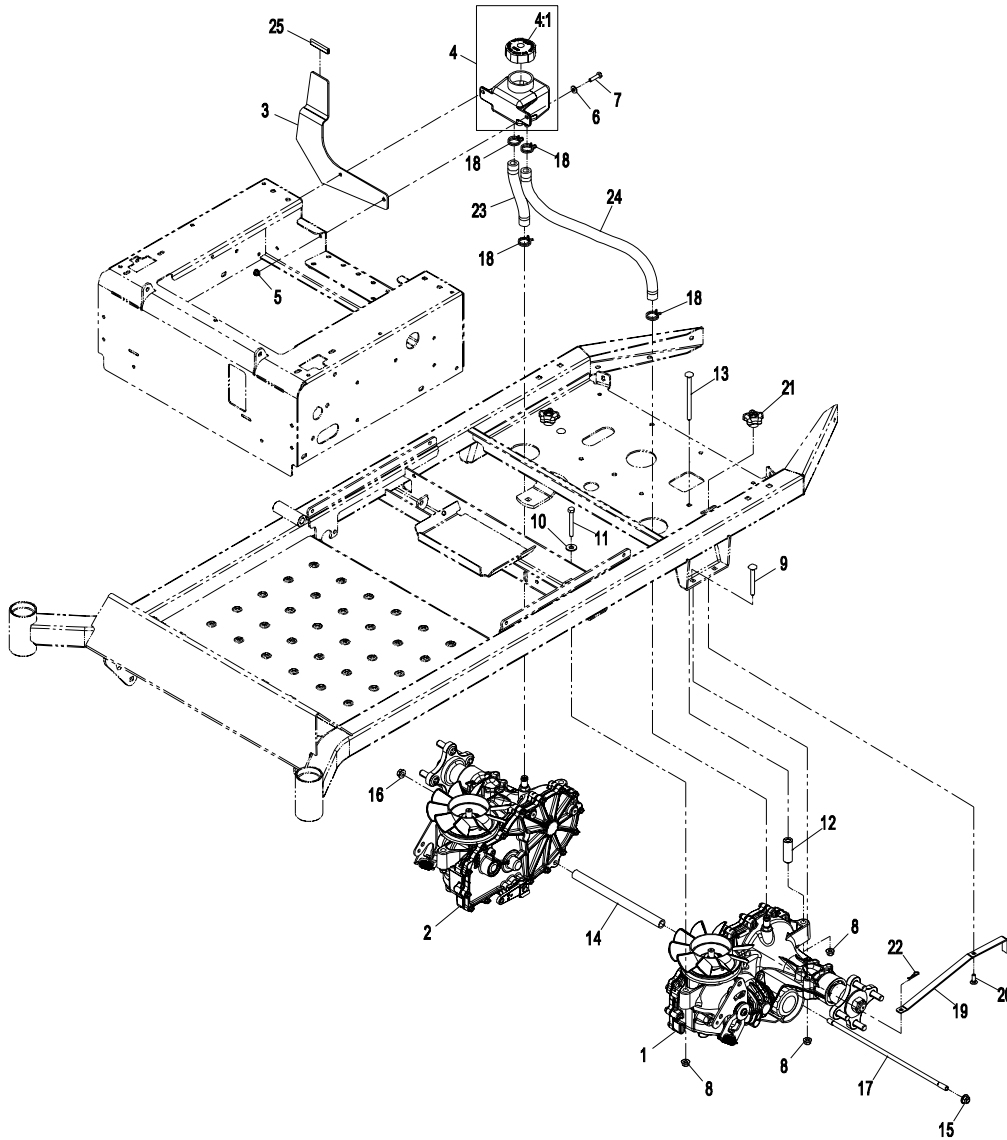
Item	Part No.	Description	Qty.
10:2	1-513034	Sleeve, Bearing .....	2
11	109-3397	Pulley, Flat Idler 3.50 Dia.....	2
12	1-603384	Bushing, Pivot Idler.....	1
13	3231-11	Bolt, Carriage 3/8-16 x 3 1/2.....	1
14	3256-4	Washer, 3/8 Std.....	1
15	3231-5	Bolt, Carriage 3/8-16 x 1 3/4.....	2
16	104-8301	Nut, Nyloc 3/8-16 Flg.....	3
17	1-603402	Spring.....	1
18▼	82-4201	Asm, Hydraulic Hose .....	1
19	109-3388	Belt.....	1
20	3253-4	Washer, Lock 5/16.....	4
21◆	32144-109	Screw, HWH 3/8-16 x 1 1/4 Taptite.....	4

Exmark black touch up spray paint – gloss black.

▼ Use a Teflon Pipe Sealant or equivalent on threads.

◆ Use Pro-Lock, Nut Type (P/N 1-840022, .5ml tube) on clutch bolt and self-tapping engine mounting bolts.

# TRANSAXLE GROUP



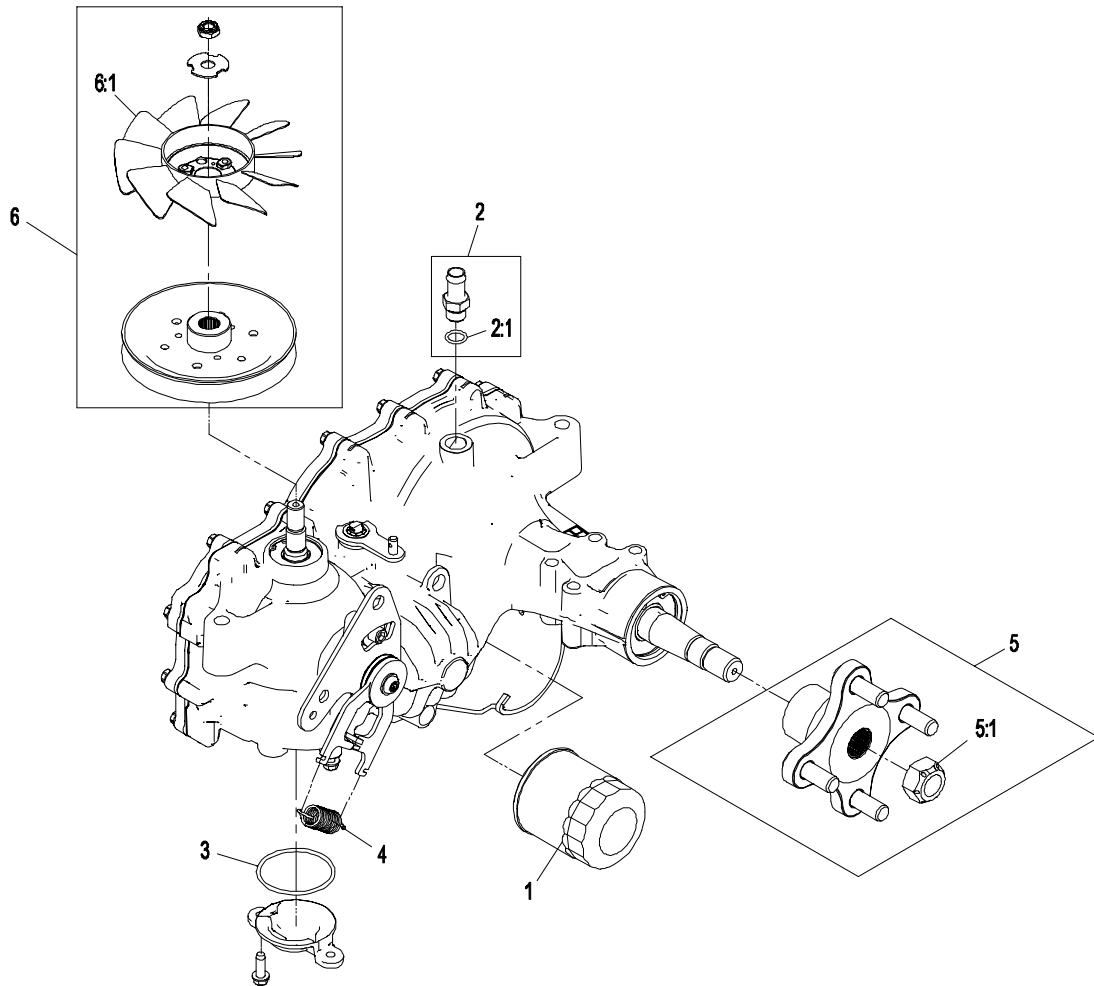
Item	Part No.	Description	Qty.
1	109-3372	Asm, Transaxle (LH) .....	1
2	109-3371	Asm, Transaxle (RH).....	1
3	109-6570-03	Bracket, Fender Support .....	1
4	109-2250	Tank, Hydraulic.....	1
4:1	109-3320	Cap, Hydraulic Reservoir .....	1
5	104-7201	Nut, Nyloc 1/4-20 Flg .....	2
6	3256-22	Washer, 1/4 SAE .....	2
7	321-6	Screw, HH 1/4-20 x 1 .....	2
8	104-8300	Nut, Nyloc 5/16-18 Flg .....	8
9	3230-9	Bolt, Carriage 5/16-18 x 2 3/4.....	4
10	3256-3	Washer, 5/16 Std .....	2
11	322-12	Screw, HH 5/16-18 x 2 1/2.....	2
12	109-3652	Spacer .....	2

Item	Part No.	Description	Qty.
13	3230-30	Bolt, Carriage 5/16-18 x 4 1/2 .....	2
14	109-3710	Tube, Spacer .....	1
15	104-8301	Nut, Nyloc 3/8-16 Flg.....	1
16	3290-357	Nut, Whizlock 3/8-16.....	1
17	109-3711	Rod, Tension .....	1
18	109-3322	Clamp, Hose.....	4
19	109-5395	Arm, Hydro Bypass.....	2
20	3229-1	Bolt, Carriage 1/4-20 x 3/4 .....	2
21	108-6402	Knob .....	2
22	1-806003	Hairpin, Cotter .....	2
23	109-5577	Hose, Hydraulic .....	1
24	109-5578	Hose, Hydraulic .....	1
25	109-2985	Trim,.13 X 2.0 Edge.....	1

Exmark black touch up spray paint – gloss black.



# TRANSAXLE ASSEMBLY



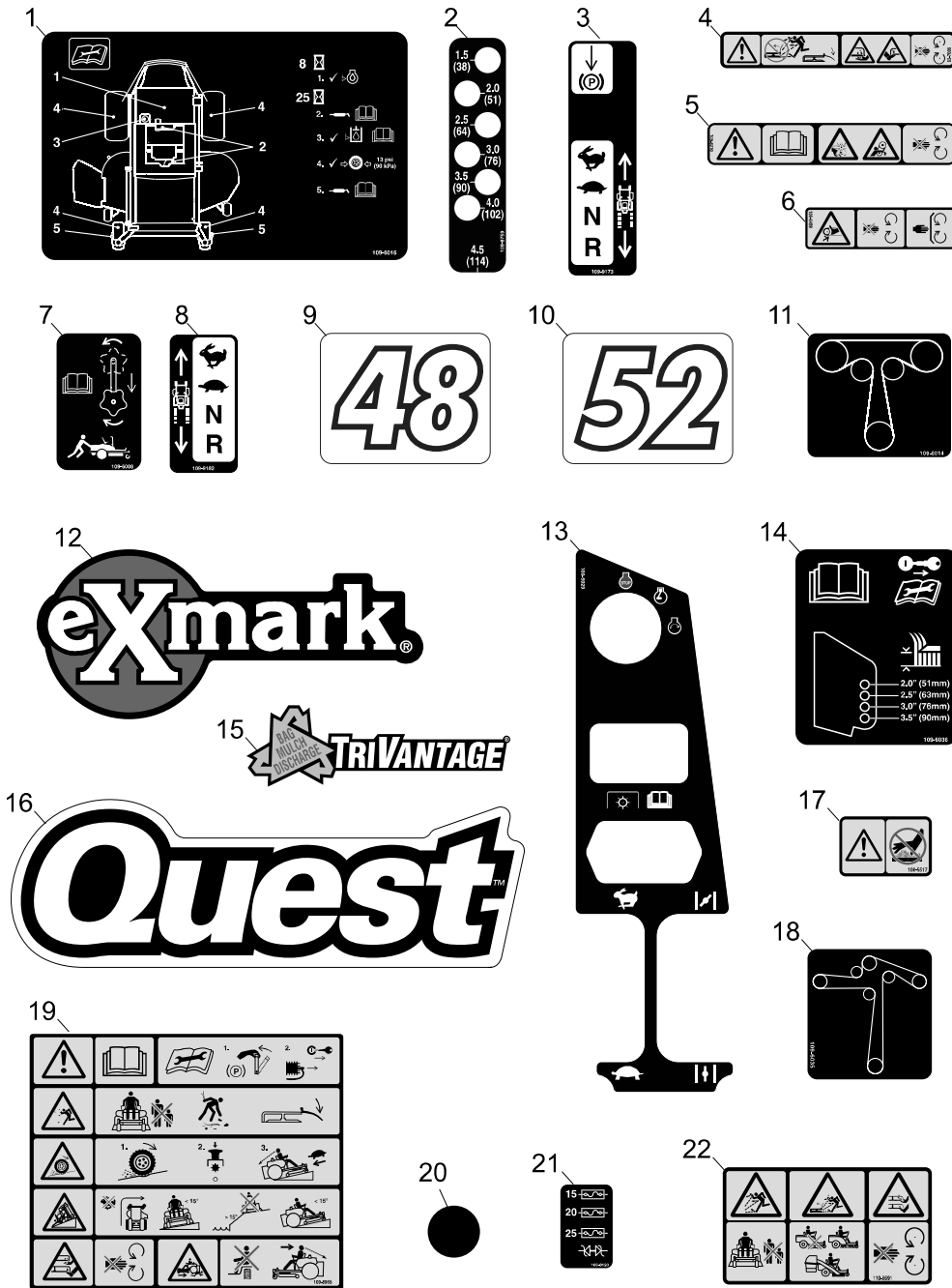
Item	Part No.	Description	Qty.
1	109-3321	Filter, Hydraulic.....	1
2	109-3278	Adapter, Straight.....	1
2:1	1-603921	O-Ring, SAE #6.....	1
3	109-3540	O-Ring, Charge Seal Cover.....	1
4	109-5592	Spring.....	1

Item	Part No.	Description	Qty.
5	109-5939	Kit, Hub.....	1
5:1	109-3536	Nut, Hub.....	1
6	109-5938	Kit, Fan And Pulley.....	1
6:1	109-5940	Fan, Hydro.....	1
7■	109-3537	Kit, Complete Seal.....	1

Note: The above numbers can be used on both right and left hand transaxle assemblies.

■ Not shown

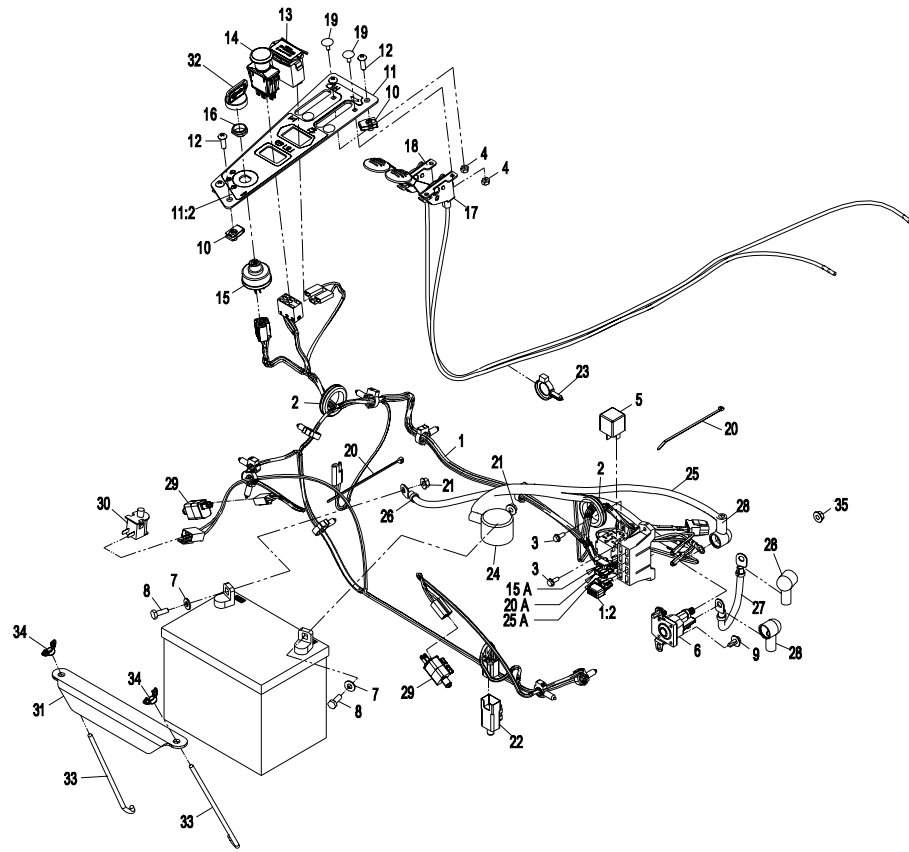
## DECAL GROUP



Item	Part No.	Description	Qty.
1	109-6016	Decal, Service Aid.....	1
2	109-8759	Decal, Cut Height.....	1
3	109-9173	Decal, Control/Brake.....	1
4	93-7009	Decal, Danger.....	1
5	109-6210	Decal, Danger.....	1
6	109-6459	Decal, Belt Shield Warning.....	2
7	109-6008	Decal, Drive Release.....	2
8	109-9182	Decal, Motion Control.....	1
9	109-6034	Decal, Deck 48".....	1
10	109-6033	Decal, Deck 52".....	1
11	109-6014	Decal, Belt Routing.....	1
12	103-3999	Decal, Exmark Logo.....	1

Item	Part No.	Description	Qty.
13	109-6029	Decal, Console.....	1
14	109-6036	Decal, Anti-Scalp Roller.....	1
15	1-303520	Decal, Trivantage.....	1
16	109-6280	Decal, Quest Logo.....	1
17	106-5517	Decal, Hot Surface.....	2
18	109-6035	Decal, Belt Routing.....	1
19	109-8965	Decal, Safety Warning.....	1
20	109-9159	Decal, Hole Cover.....	3
21	109-9120	Decal, Fuse Block.....	1
22	110-6691	Decal, Danger.....	2
	109-8889	Decal Kit	

# ELECTRICAL GROUP

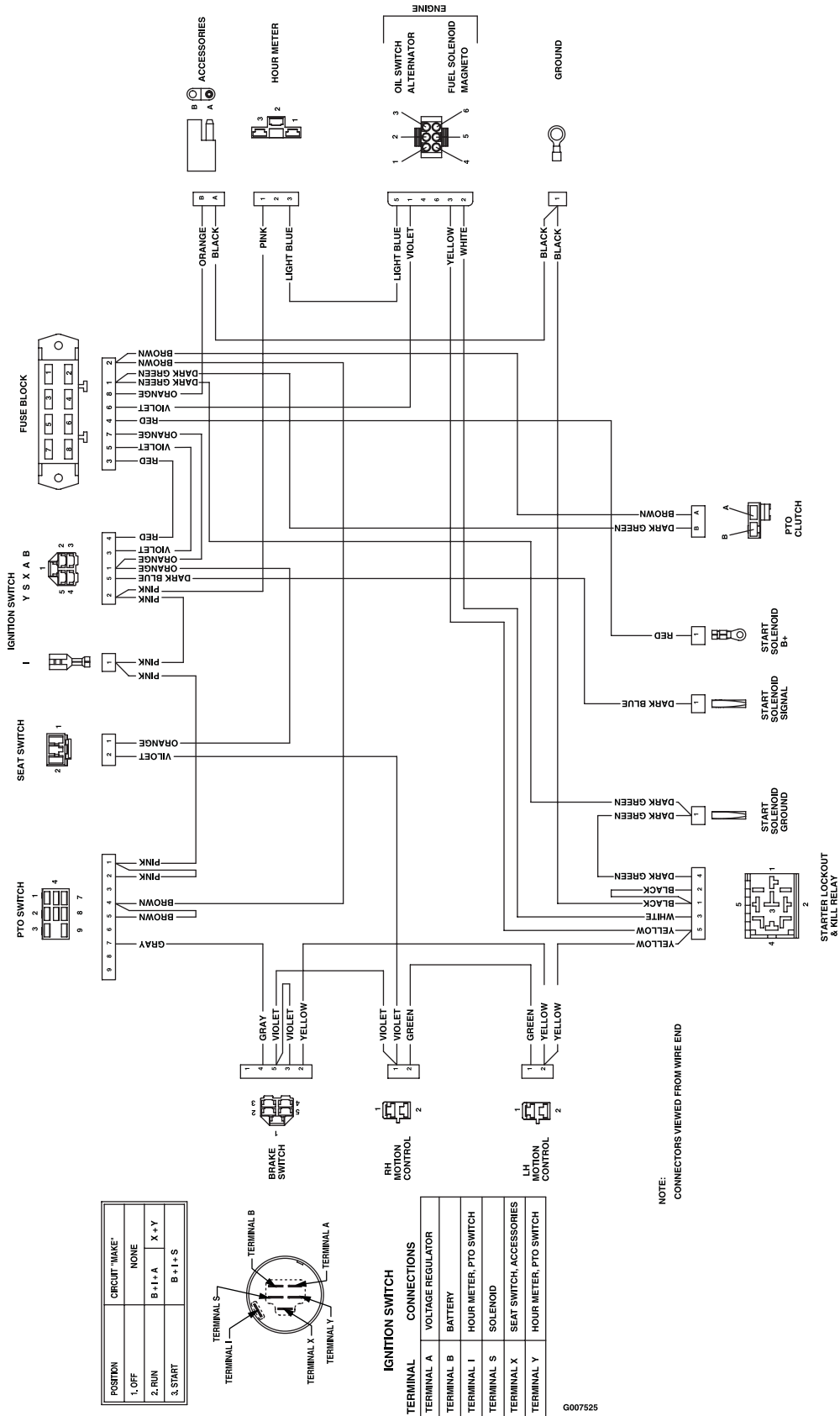


Item	Part No.	Description	Qty.
1◆▲	109-8786	Harness .....	1
◆●	109-8963	Harness .....	1
1:2	109-9186	Diode, TVS .....	1
2	240-3	Grommet, Rubber .....	2
3▲	32144-1	Screw, HWH #10-24 x 1/2 Taptite .....	3
●	32144-1	Screw, HWH #10-24 x 1/2 Taptite .....	4
4	3296-2	Nut, Nyloc #10-24 .....	4
5▲	1-643275	Relay, 12VDC 40 Amp .....	1
●	1-643275	Relay, 12VDC 40 Amp .....	2
6▲	1-513075	Switch, Solenoid .....	1
7	3256-22	Washer, 1/4 SAE .....	2
8	321-4	Screw, HH 1/4-20 x 3/4 .....	2
9▲	46-8560	Screw, HHF 1/4-20 X 1/2 .....	2
10	107069	Nut, Retainer-Panel 1/4-20 .....	4
11	109-6398	Asm, Control Panel W/Decal .....	1
11:2	109-6029	Decal, Console .....	1
12	3258-166	Screw, PPH 1/4-20 x 3/4 .....	4
13	1-513374	Meter, Engine Hours .....	1
14	103-5221	Switch, PTO .....	1
15	109-4736	Switch, Ignition W/Nut .....	1
16	103-0498	Nut, Ignition .....	1
17	109-3987	Control, Throttle .....	1
18▲	109-8747	Control, Choke .....	1
●	109-9147	Control, Choke .....	1

Item	Part No.	Description	Qty.
19	1-807513	Bolt, Carriage #10-24 x 1/2 .....	4
20	614249	Tie, Cable .....	2
21	32128-33	Nut, Whizlock 1/4-20 .....	2
22	99-7408	Switch .....	1
23	105-1853	Clamp .....	1
24	109-2407	Insulator, Battery + .....	1
25▲	109-7653	Asm, Cable, Battery + .....	1
●	109-7621	Asm, Cable, Battery + .....	1
26	103-0705	Cable, Ground - .....	1
27▲	109-9415	Cable, Starter + .....	1
28▲	1-543393	Insulator, Solenoid + .....	3
●	1-543393	Insulator, Solenoid + .....	1
29	110-6765	Switch .....	2
30	82-2190	Switch .....	1
31	103-1311-03	Holddown, Battery .....	1
32	103-2106	Key, Exmark Logo .....	1
33	1-633651	Bolt, Battery Holddown .....	2
34	1-543792	Wingnut, Nyloc 1/4-20 .....	2
	1-603511	Key, Ignition .....	1
35▲	32128-33	Nut, Whizlock 1/4-20 .....	1
●	57-6390	Nut, Jam M8-1.25 .....	1

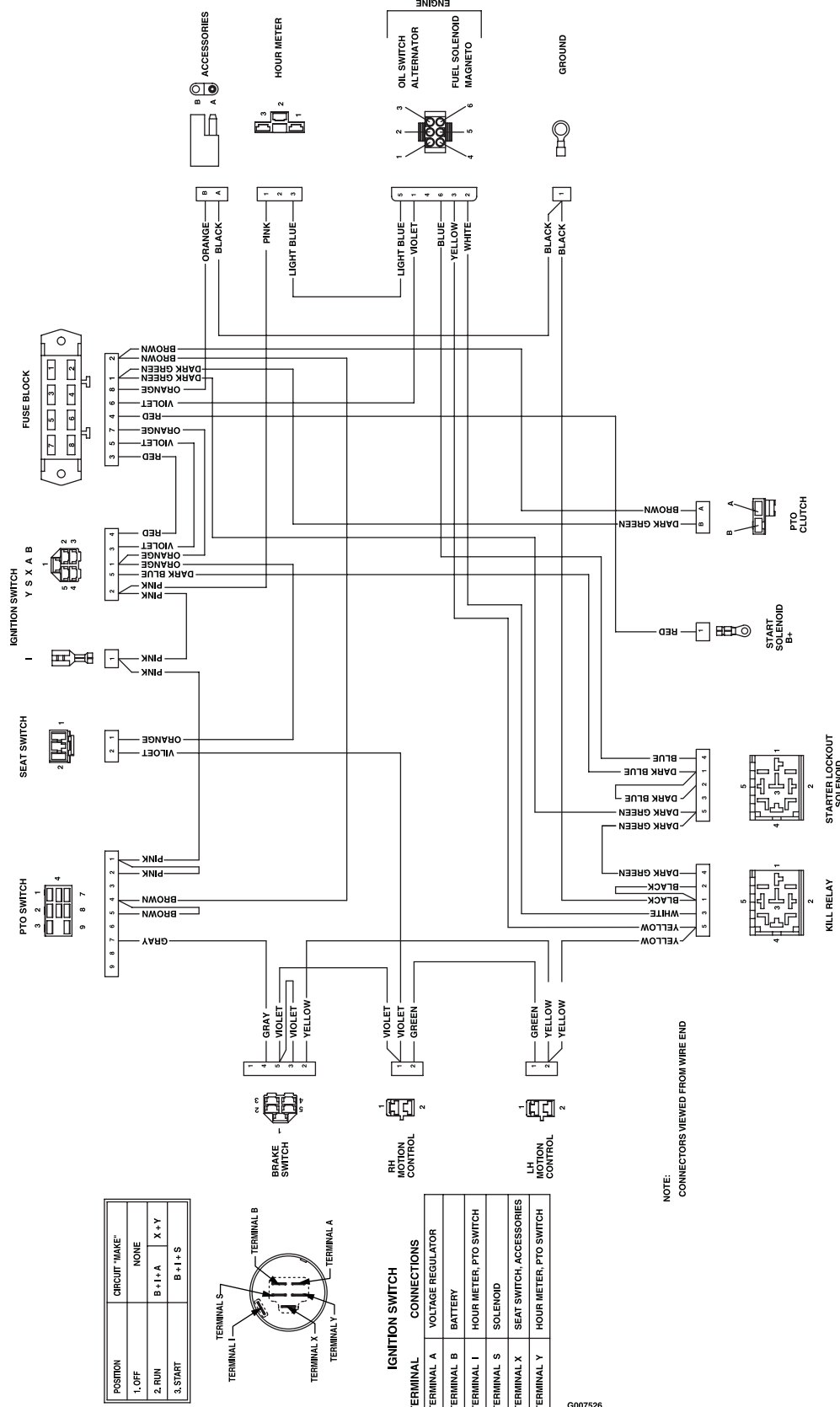
- ◆ Use dielectric grease on all wiring harness connectors
  - ▲ For Briggs & Stratton engines
  - For Kohler Command engines.
- Exmark black touch up spray paint – gloss black.

# ELECTRICAL DIAGRAM – BRIGGS & STRATTON

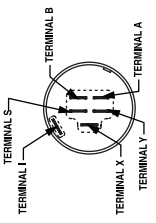


G007525

# ELECTRICAL DIAGRAM – KOHLER COMMAND



POSITION	CIRCUIT MAKE
1, OFF	NONE
2, RUN	B + I + A X + Y
3, START	B + I + S



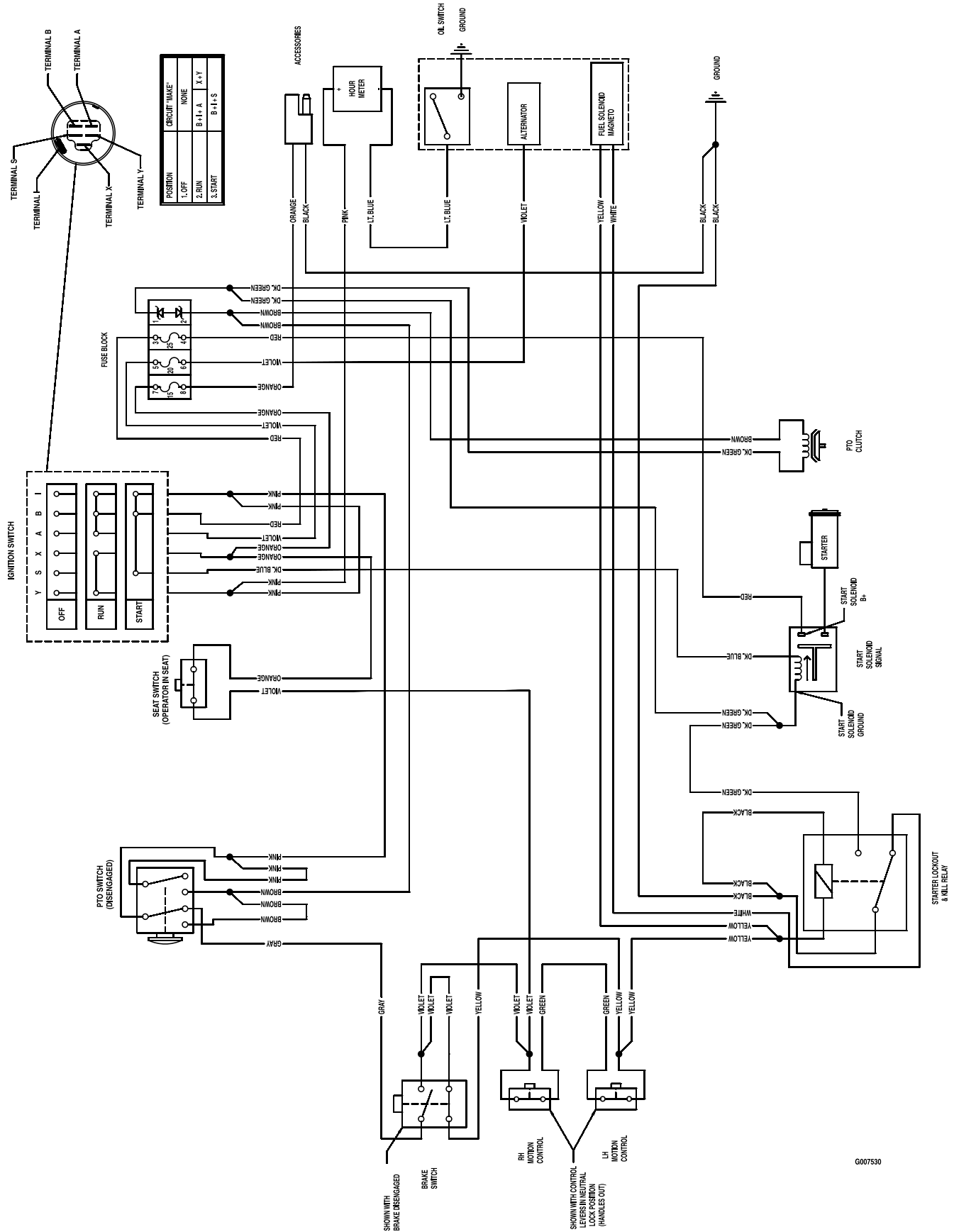
## IGNITION SWITCH CONNECTIONS

TERMINAL	CONNECTIONS
TERMINAL A	VOLTAGE REGULATOR
TERMINAL B	BATTERY
TERMINAL I	HOUR METER, PTO SWITCH
TERMINAL S	SOLENOID
TERMINAL X	SEAT SWITCH, ACCESSORIES
TERMINAL Y	HOUR METER, PTO SWITCH

NOTE: CONNECTORS VIEWED FROM WIRE END

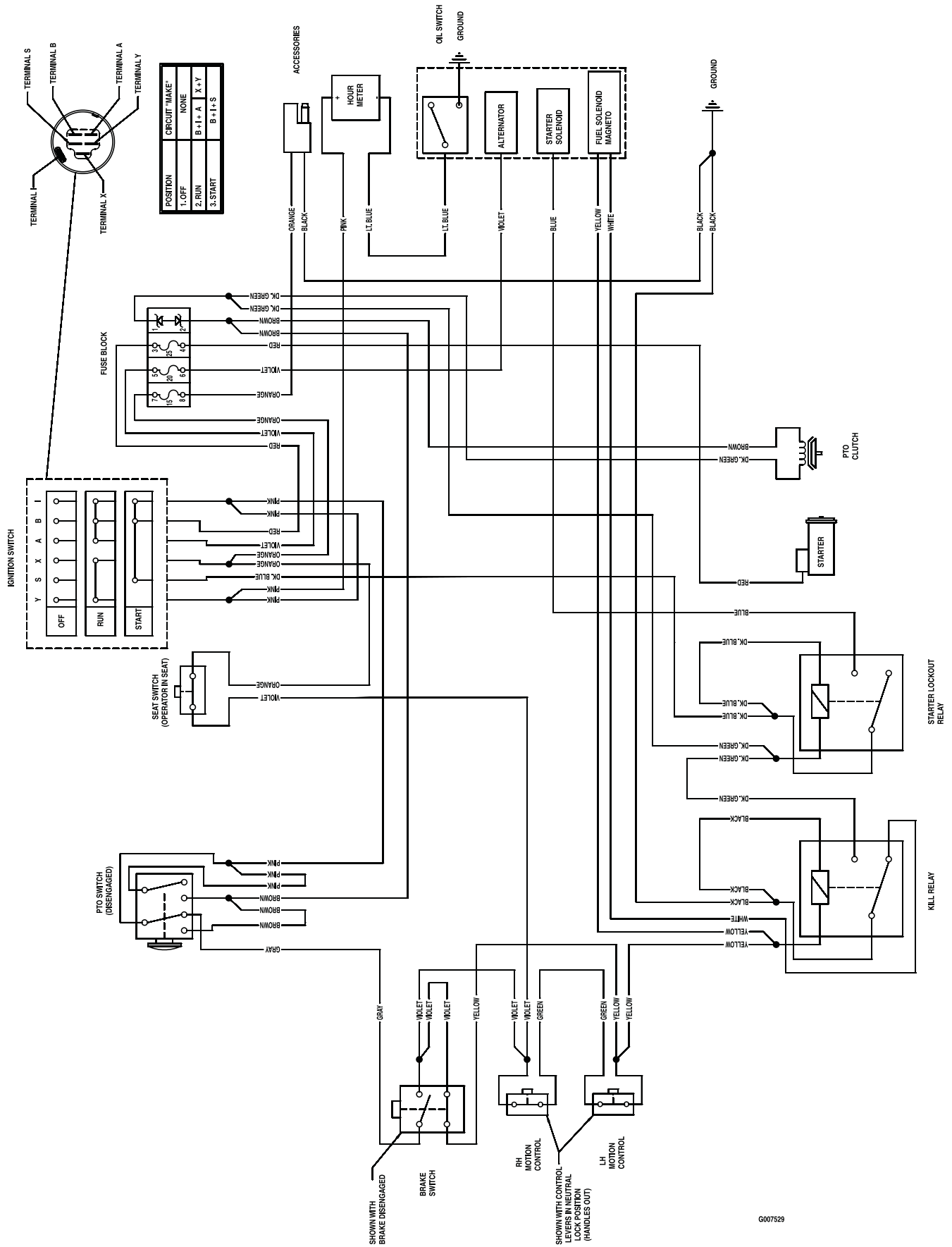
G007526

# ELECTRICAL SCHEMATIC – BRIGGS & STRATTON



G007530

# ELECTRICAL SCHEMATIC – KOHLER COMMAND



G007529

# SEE EXMARK'S COMPLETE LINE OF ACCESSORIES

## MID-MOUNT RIDING ACCESSORIES

CUSTOM RIDE SEAT SUSPENSION SYSTEM	ROLL OVER PROTECTION SYSTEM (ROPS)
DECK LIFT ASSIST KIT	SNOW BLADE
HITCH KIT	SUN SHADE
LAZERLOCKER	TRASH CONTAINER
LIGHT KIT	TURF STRIPER
MICRO-MULCH SYSTEM	ULTRA VAC COLLECTION SYSTEM
OPERATOR CONTROLLED DISCHARGE	ULTRA VAC QUICK DISPOSAL SYSTEM

## OUT-FRONT RIDING ACCESSORIES

CUSTOM RIDE SEAT SUSPENSION SYSTEM	SNOW BLADE
DUAL-TAIL WHEEL	SNOWBLOWER
FLOOR PAN EXTENDER	SUN SHADE
HITCH KIT	TRASH CONTAINER
LIGHT KIT	ULTRA VAC COLLECTION SYSTEM
MICRO-MULCH SYSTEM	ULTRA VAC QUICK DISPOSAL SYSTEM
ROLL OVER PROTECTION SYSTEM (ROPS)	WEATHER CAB
ROTARY BROOM	

## WALK-BEHIND ACCESSORIES

GRASS CATCHER	TURF STRIPER
LAZERLOCKER	STANDON
MICRO-MULCH SYSTEM	

Place Model No. and Serial No.  
Label Here (Included in the Literature  
Pack or Fill in Below)

Model No. \_\_\_\_\_

Serial No. \_\_\_\_\_

Date Purchased \_\_\_\_\_

Engine Model No. and Spec. No. \_\_\_\_\_

Engine Serial No. (E/No) \_\_\_\_\_

© 2007—2008 Exmark Mfg. Co., Inc.  
Industrial Park Box 808  
Beatrice, NE 68310  
All Rights Reserved

Part No. 4500-339 Rev. A  
(402) 223-6300  
Fax (402) 223-5489  
Printed In USA.



[www.exmark.com](http://www.exmark.com)



## Free Manuals Download Website

<http://myh66.com>

<http://usermanuals.us>

<http://www.somanuals.com>

<http://www.4manuals.cc>

<http://www.manual-lib.com>

<http://www.404manual.com>

<http://www.luxmanual.com>

<http://aubethermostatmanual.com>

Golf course search by state

<http://golfingnear.com>

Email search by domain

<http://emailbydomain.com>

Auto manuals search

<http://auto.somanuals.com>

TV manuals search

<http://tv.somanuals.com>