



## **LAZER Z<sup>®</sup> MODELS**

**For Serial Nos.  
790,000 & Higher**  
Part No. 4500-484 Rev. A

# **Parts Manual**

**EXMARK PARTS PLUS**

***PARTS***

**OVERNIGHT**  
**OR *FREE*\***

If your Exmark dealer does not have the Exmark part in stock, Exmark will get the parts to the dealer the next business day or the part will be FREE Guaranteed!! (Some restrictions apply. See your participating Exmark Dealer for details.)

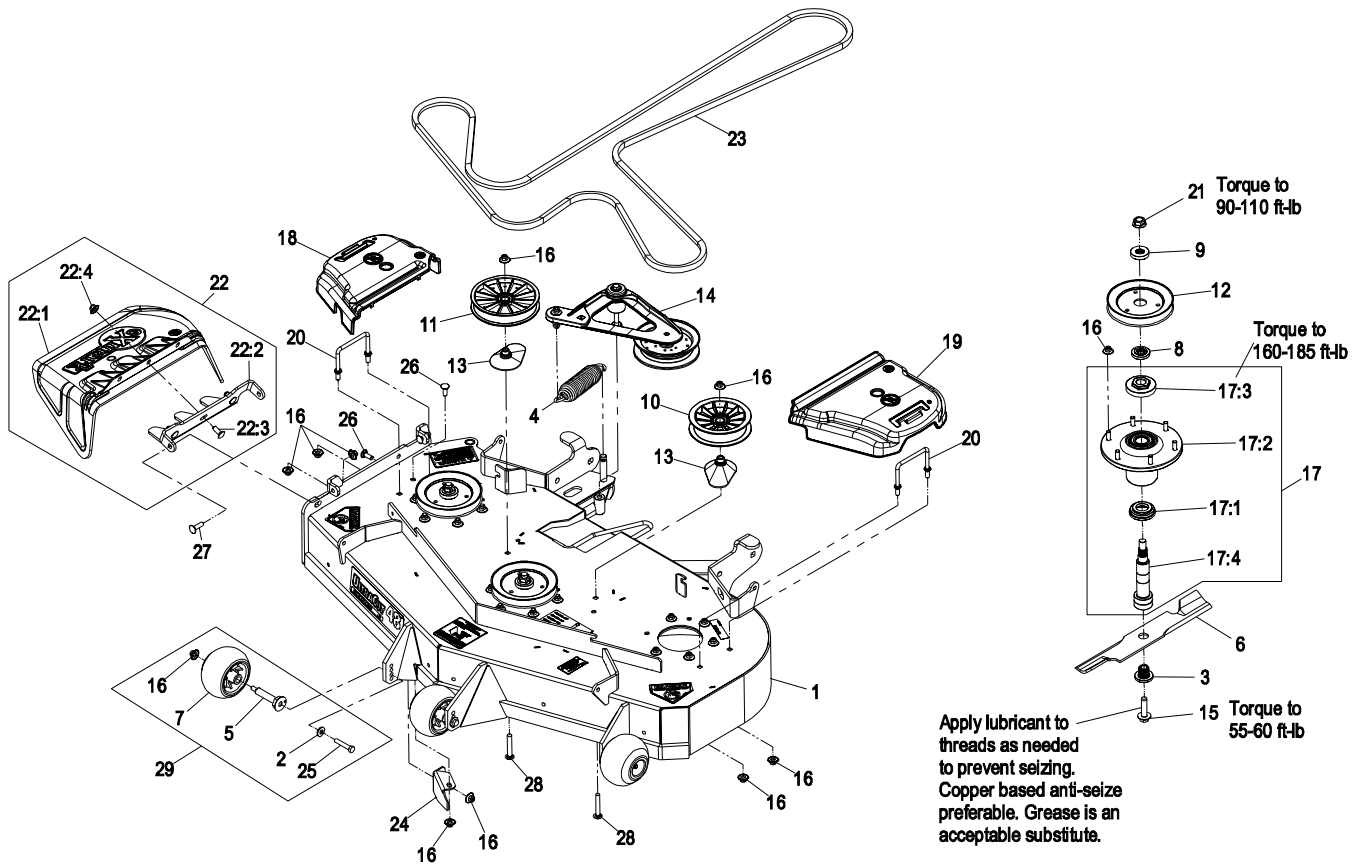


**READ OPERATOR'S MANUAL BEFORE  
OPERATING OR SERVICING EXMARK EQUIPMENT.**

## **TABLE OF CONTENTS**

<b><u>Description</u></b>	<b><u>Page</u></b>
Brake Handle Assembly .....	22
Caster Wheel Assembly .....	15-16
Controls Group .....	19
Cutter Housing Assembly .....	12
Decal Group .....	34
Deck Group .....	3-10
Deck Support Group .....	17
Deck Idler Assembly .....	11
Electrical Diagram .....	35
Electrical Group .....	33
Electrical Logic Schematic .....	36
Engine Group .....	27-30
Fuel Group .....	25
Fuel Tank Assembly .....	26
Height of Cut Assembly .....	18
Hydraulic Group .....	31
Mainframe Group .....	13
Motion Control Group .....	20
Park Brake Group .....	21
Pump Idler Assembly .....	32
ROPS Assembly .....	14
Seat Group .....	23
Seat W/Tracks Assembly .....	24

# 48" DECK GROUP



Item	Part No.	Description	Qty.
1	109-9008	Asm, Deck W/Decals 486.....	1
2	98-5975	Washer, Spring Disc 3/8.....	3
3	103-3037	Bushing, Splined .....	3
4	116-0133	Spring, Extension .....	1
5	109-9851	Axle, Anti-Scalp Roller.....	3
6	103-6401	Blade, Notched.....	3
●	103-6391	Blade, Mulching.....	3
	103-6386	Blade, Low Lift.....	3
	103-6381	Blade, Solid.....	3
	103-6396	Blade, Extreme.....	3
7	103-8415	Roller, Anti-Scalp.....	3
8	103-9522	Spacer, Splined Stepped.....	3
9	103-9523	Spacer, Splined .....	3
10	109-0977	Pulley, Idler 5" .....	1
11	109-2796	Pulley, Idler 6" .....	1
12	109-2798	Sheave, Blade Drive 5.72 .....	3
13	109-2872	Spacer, Pulley .....	2
14	109-2883	Asm, Deck Idler.....	1
15	109-9220	Screw, SEMS Hex 1/2-20 x 2.18.....	3
16	109-6658	Nut, Nyloc 3/8-16 Flg.....	31
17	109-6917	Asm, Spindle Housing .....	3

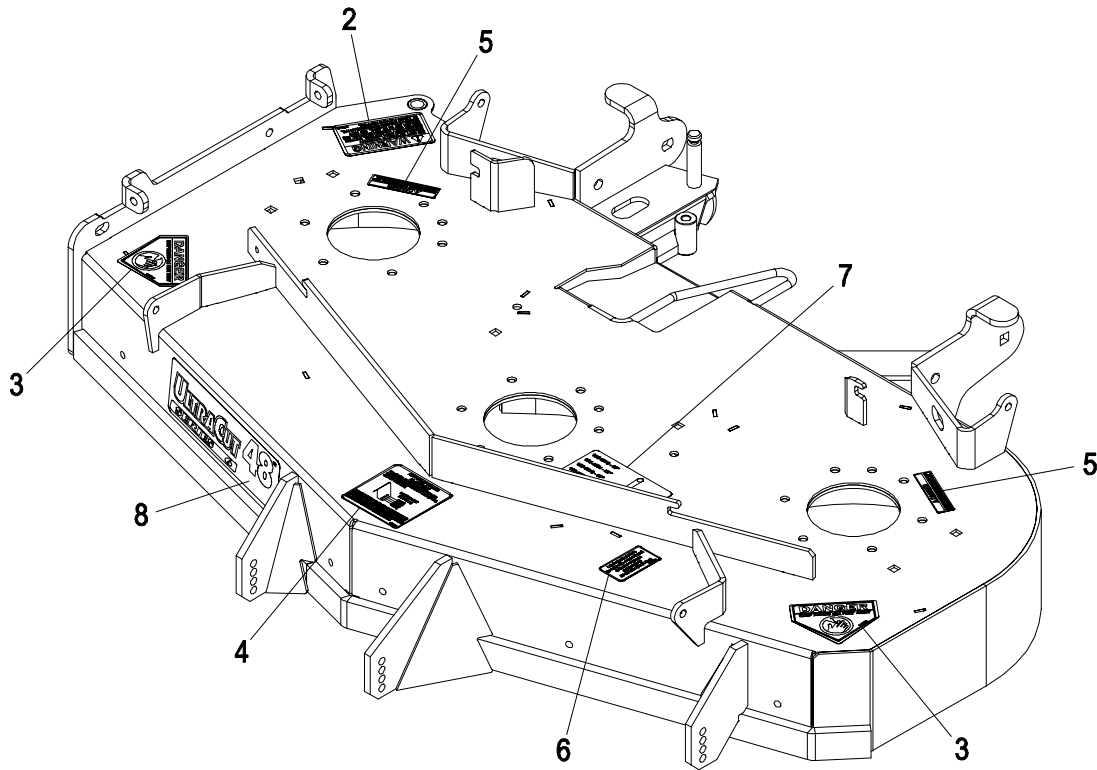
Item	Part No.	Description	Qty.
17:1	103-9504	Guard, Bottom.....	1
17:2	103-9539	Asm, Cutter Housing.....	1
17:3	109-0916	Nut, Spindle 7/8-14 .....	1
17:4■	109-6881	Spindle, Double Spline .....	1
18	109-6935	Cover, Belt RH 46-56 .....	1
19	109-6936	Cover, Belt LH 46-56.....	1
20	109-6982	Wireform, Cover.....	2
21	109-7033	Nut, Flange 5/8-18 Centerlock.....	3
22	109-7188	Asm, Discharge Chute .....	1
22:1	109-2738	Chute, Discharge .....	1
22:2	109-8675-01	Bracket, Discharge Chute .....	1
22:3	3231-22	Bolt, Carriage 3/8-16 x 1.....	3
22:4	109-6658	Nut, Nyloc 3/8-16 Flg.....	3
23	109-8070	Belt, V-B X 175.75.....	1
24	109-9010-01	Baffle, Discharge 484/486 .....	1
25	3211-46	Screw, HH 3/8-24 x 2 Gr8 .....	3
26	3231-22	Bolt, Carriage 3/8-16 x 1.....	1
27	3231-28	Bolt, Carriage 3/8-16 x 1 1/4.....	2
28	3231-44	Bolt, Carriage 3/8-16 x 2 1/2.....	2
29	109-2098	Kit, Anti-Scalp .....	3
30	109-9643	Asm, Deck Complete 486 .....	1

Exmark red touch up paint (spray paint – P/N 1-850337 - .6 oz liquid bottle – P/N 103-9140).

● Requires installation of Micro-Mulch accessory for proper mulching. Mulch kit P/N MK486.

■ Apply Mobil HTS grease (P/N 103-5217 1.5 oz packet) (or a food-grade anti-seize) between the spindles and bearings. DO NOT use a copper or nickel based anti-seize.

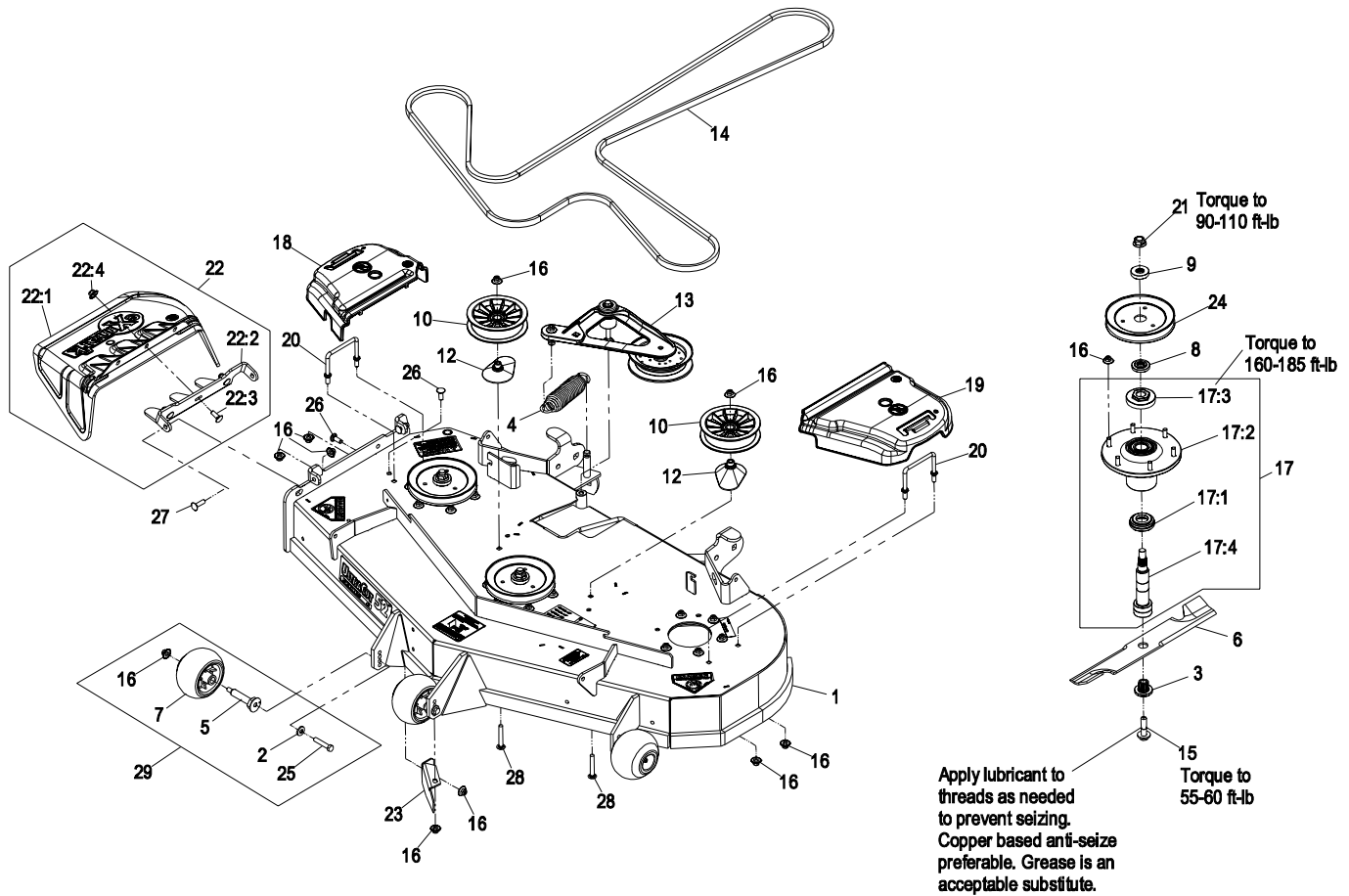
# 48" DECK W/DECALS ASSEMBLY – 109-9008



Item	Part No.	Description	Qty.
2	1-303508	Decal, Discharge Warning .....	1
3	1-403005	Decal, Danger .....	2
4	1-633922	Decal, Anti-Scalp .....	1
5	98-5954	Decal, Danger .....	2

Item	Part No.	Description	Qty.
6	109-3148	Decal, Bolt Torque .....	1
7	109-9361	Decal, Belt Routing .....	1
8	109-9437	Decal, Ultracut 48 .....	1

# 52" DECK GROUP



Item	Part No.	Description	Qty.
1	109-9149	Asm, Deck W/ Decals 526.....	1
2	98-5975	Washer, Spring Disc 3/8.....	3
3	103-3037	Bushing, Splined .....	3
4	116-0133	Spring, Extension .....	1
5	109-9851	Axle, Anti-Scalp Roller.....	3
6	103-6402	Blade-Notched.....	3
●	103-6392	Blade, Mulching.....	3
	103-6387	Blade, Low Lift.....	3
	103-6382	Blade, Solid.....	3
	103-6397	Blade, Extreme.....	3
7	103-8415	Roller, Anti-Scalp.....	3
8	103-9522	Spacer, Splined Stepped.....	3
9	103-9523	Spacer, Splined .....	3
10	109-0977	Pulley, Idler 5" .....	2
12	109-2872	Spacer, Pulley .....	2
13	109-2883	Asm, Deck Idler.....	1
14	109-4994	Belt, V-B X 186.00".....	1
15	109-9220	Screw, SEMS Hex 1/2-20 x 2.18.....	3
16	109-6658	Nut, Nyloc 3/8-16 Flg.....	31
17	109-6917	Asm, Spindle Housing .....	3
17:1	103-9504	Guard, Bottom.....	1

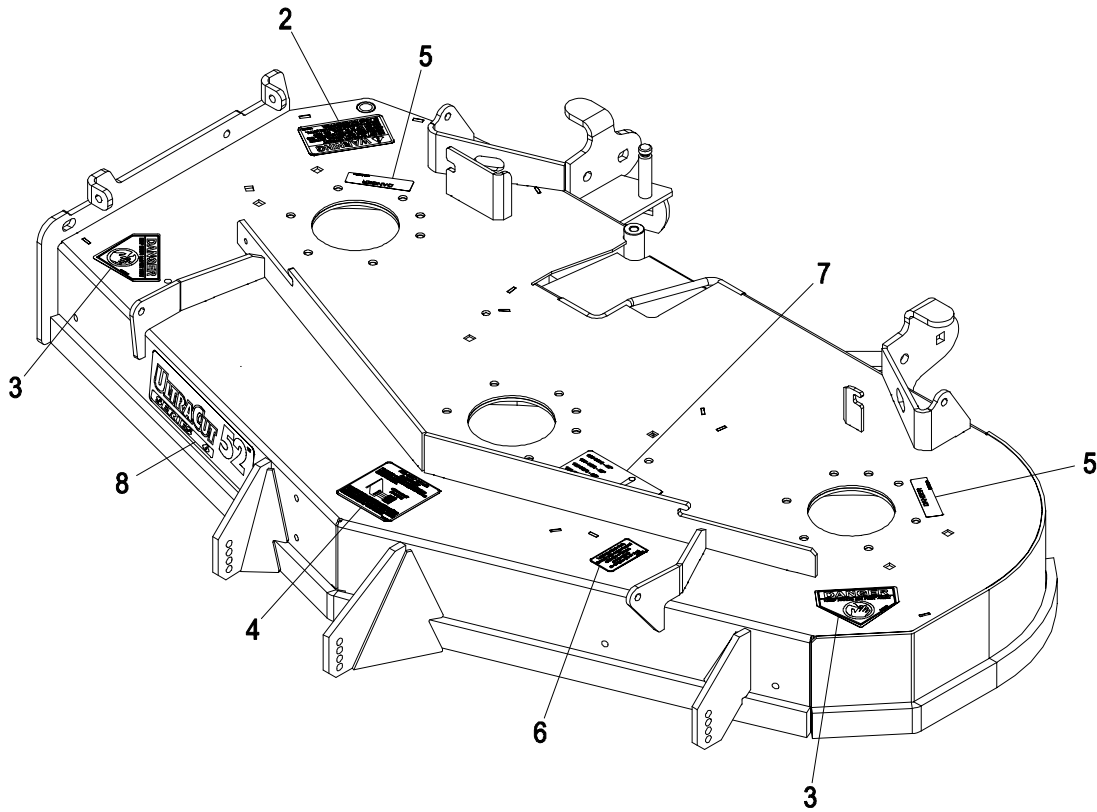
Item	Part No.	Description	Qty.
17:2	103-9539	Asm, Cutter Housing .....	1
17:3	109-0916	Nut, Spindle 7/8-14 .....	1
17:4■	109-6881	Spindle, Double Spline .....	1
18	109-6935	Cover, Belt RH 46-56 .....	1
19	109-6936	Cover, Belt LH 46-56.....	1
20	109-6982	Wireform, Cover.....	2
21	109-7033	Nut, Flange 5/8-18 Centerlock.....	3
22	109-7188	Asm, Discharge Chute .....	1
22:1	109-2738	Chute, Discharge .....	1
22:2	109-8675-01	Bracket, Discharge Chute .....	1
22:3	3231-22	Bolt, Carriage 3/8-16 x 1.....	3
22:4	109-6658	Nut, Nyloc 3/8-16 Flg.....	3
23	109-9915-01	Baffle, Discharge 52/60.....	1
24	116-0185	Sheave, Blade Drive.....	3
25	3211-46	Screw, HH 3/8-24 x 2 Gr8 .....	3
26	3231-22	Bolt, Carriage 3/8-16 x 1.....	2
27	3231-28	Bolt, Carriage 3/8-16 x 1 1/4.....	2
28	3231-44	Bolt, Carriage 3/8-16 x 2 1/2.....	2
29	109-2098	Kit, Antiscalp .....	3
30	109-9645	Asm, Deck Complete 526 .....	1

Exmark red touch up paint (spray paint – P/N 1-850337 - .6 oz liquid bottle – P/N 103-9140).

● Requires installation of Micro-Mulch accessory for proper mulching. Mulch kit P/N MK526.

■ Apply Mobil HTS grease (P/N 103-5217 1.5 oz packet) (or a food-grade anti-seize) between the spindles and bearings. DO NOT use a copper or nickel based anti-seize.

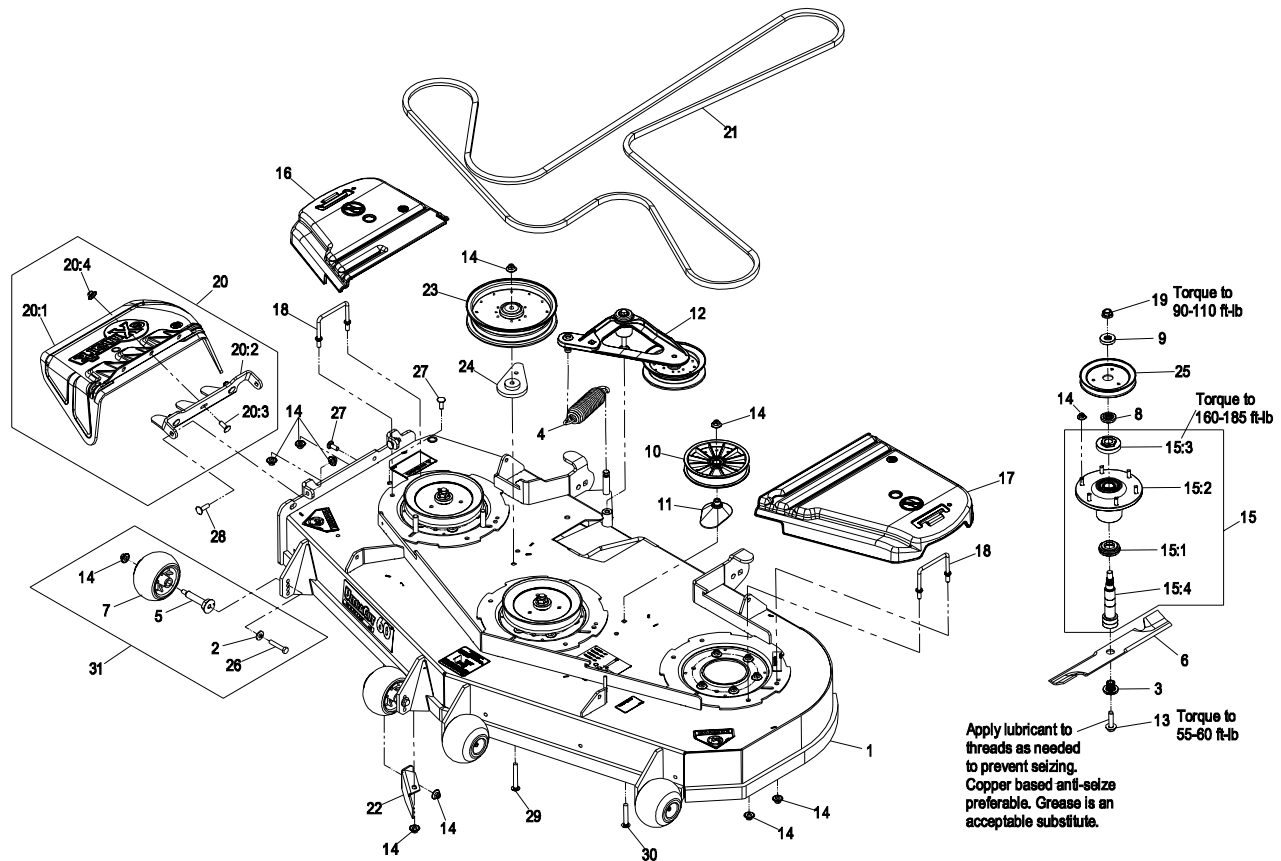
# 52" DECK W/DECALS ASSEMBLY – 109-9149



Item	Part No.	Description	Qty.
2	1-303508	Decal, Warning, Discharge .....	1
3	1-403005	Decal, Danger .....	2
4	1-633922	Decal, Antiscalp .....	1
5	98-5954	Decal, Cover, Missing .....	2

Item	Part No.	Description	Qty.
6	109-3148	Decal, Bolt Torque .....	1
7	109-9361	Decal, Belt Routing .....	1
8	109-9438	Decal, Ultracut 52 Series 6 .....	1

# 60" DECK GROUP



Item	Part No.	Description	Qty.
1	109-9148	Asm, Deck W/ Decals 606.....	1
2	98-5975	Washer, Spring Disc 3/8.....	4
3	103-3037	Bushing, Splined .....	3
4	116-0133	Spring, Extension .....	1
5	109-9851	Axle, Anti-Scalp Roller.....	3
6	103-6403	Blade, Notched.....	3
●	103-6393	Blade, Mulching.....	3
	103-6388	Blade, Low Lift.....	3
	103-6383	Blade, Solid.....	3
	103-6398	Blade, Extreme.....	3
7	103-8415	Roller, Anti-Scalp.....	4
8	103-9522	Spacer, Splined Stepped.....	3
9	103-9523	Spacer, Splined .....	3
10	109-2796	Pulley, Idler 6" .....	1
11	109-2872	Spacer, Pulley .....	1
12	109-2883	Asm, Deck Idler.....	1
13	109-9220	Screw, SEMS Hex 1/2-20 x 2.18.....	3
14	109-6658	Nut, Nyloc 3/8-16 Flg.....	32
15	109-6917	Asm, Spindle Housing .....	3
15:1	103-9504	Guard, Bottom.....	1
15:2	103-9539	Asm, Cutter Housing .....	1
15:3	109-0916	Nut, Spindle 7/8-14.....	1

Item	Part No.	Description	Qty.
15:4	109-6881	Spindle, Double Spline .....	1
16	116-0094	Cover, Belt RH 60-72 .....	1
17	109-6938	Cover, Belt LH 60-72.....	1
18	109-6982	Wireform, Cover.....	2
19	109-7033	Nut, Flange 5/8-18 Centerlock.....	3
20	109-7188	Asm, Discharge Chute .....	1
20:1	109-2738	Chute, Discharge .....	1
20:2	109-8675-01	Bracket, Discharge Chute .....	1
20:3	3231-22	Bolt, Carriage 3/8-16 x 1.....	3
20:4	109-6658	Nut, Nyloc 3/8-16 Flg.....	3
21	109-8073	Belt, V-5V-198.75.....	1
22	109-9915-01	Baffle, Discharge 52/60.....	1
23	109-8590	Pulley, Idler 8 In Flanged.....	1
24	109-9416	Wld, Spacer Idler .....	1
25	109-9511	Sheave, Blade Drive 7.25.....	3
26	3211-46	Screw, HH 3/8-24 x 2 Gr8 .....	4
27	3231-22	Bolt, Carriage 3/8-16 x 1.....	2
28	3231-28	Bolt, Carriage 3/8-16 x 1 1/4.....	2
29	3231-42	Bolt, Carriage 3/8-16 x 3.....	1
30	3231-44	Bolt, Carriage 3/8-16 x 2 1/2.....	1
31	109-2098	Kit, Antiscalp .....	4
32	109-9647	Asm, Deck Complete 606 .....	1

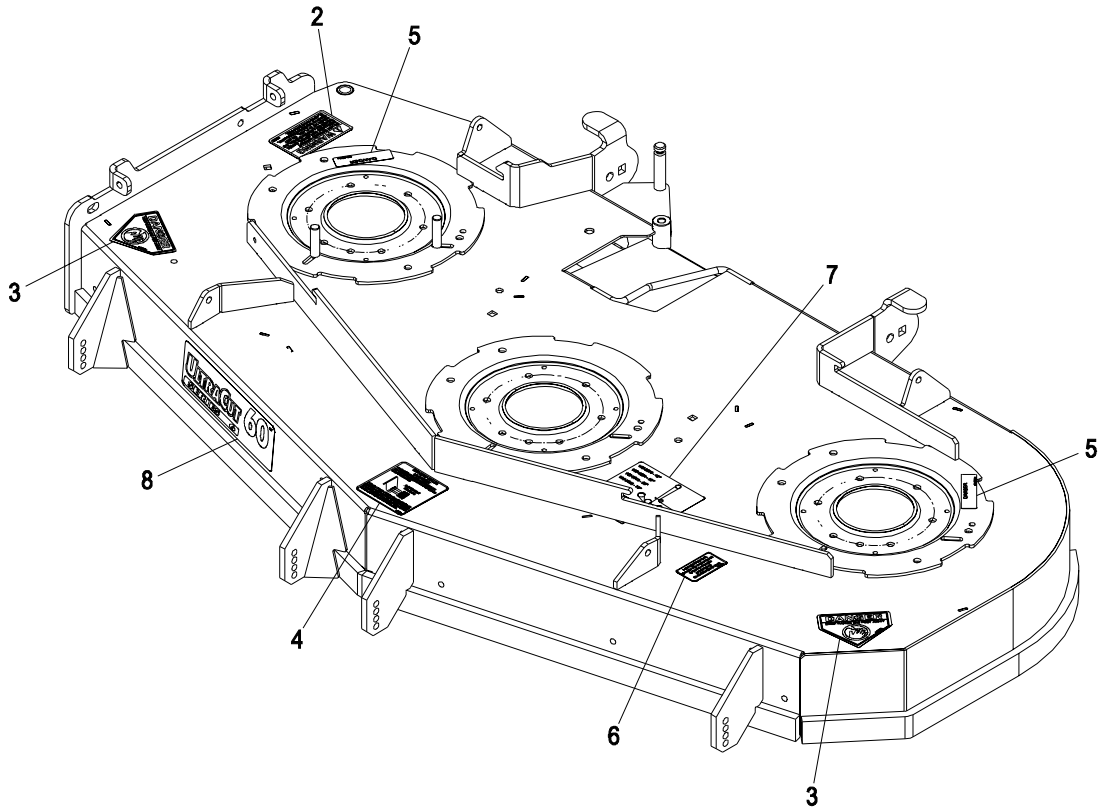
Exmark red touch up paint (spray paint – P/N 1-850337 - .6 oz liquid bottle – P/N 103-9140).

● Requires installation of Micro-Mulch accessory for proper mulching. Mulch kit P/N MK606.

■ Apply Mobil HTS grease (P/N 103-5217 1.5 oz packet) (or a food-grade anti-seize) between the spindles and bearings. DO NOT use a copper or nickel based anti-seize.



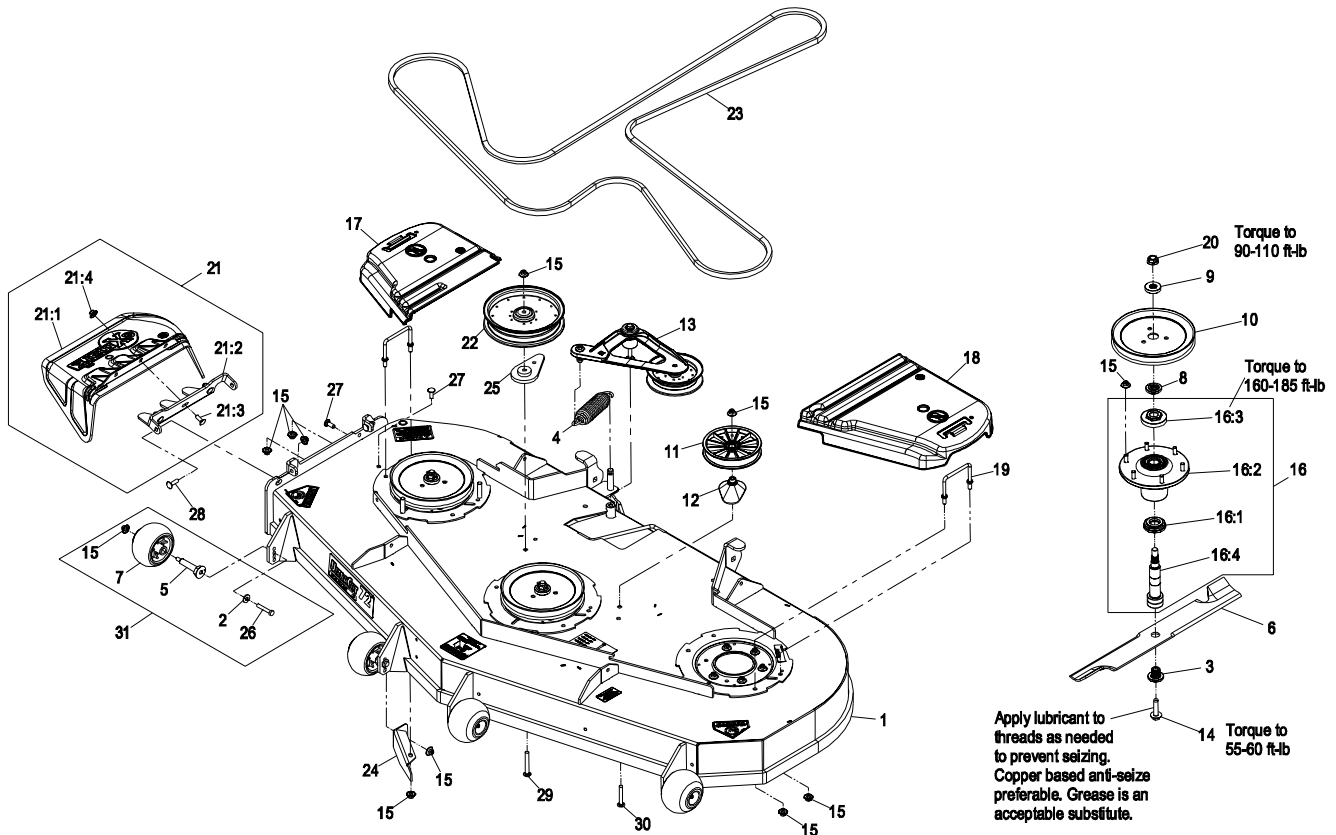
# 60" DECK W/DECALS ASSEMBLY – 109-9148



Item	Part No.	Description	Qty.
2	1-303508	Decal, Warning, Discharge .....	1
3	1-403005	Decal, Danger .....	2
4	1-633922	Decal, Antiscalp .....	1
5	98-5954	Decal, Cover, Missing .....	2

Item	Part No.	Description	Qty.
6	109-3148	Decal, Bolt Torque .....	1
7	109-9361	Decal, Belt Routing .....	1
8	109-9439	Decal, Ultracut 60 Series 6 .....	1

# 72" DECK GROUP



Item	Part No.	Description	Qty.
1	109-9133	Asm, Deck W/ Decals 726.....	1
2	98-5975	Washer, Spring Disc 3/8.....	4
3	103-3037	Bushing, Splined .....	3
4	116-0133	Spring, Extension .....	1
5	109-9851	Axle, Anti-Scalp Roller.....	4
6	103-6404	Blade, Notched.....	3
●	103-6394	Blade, Mulching.....	3
	103-6389	Blade, Low Lift.....	3
	103-6384	Blade, Solid.....	3
	103-6399	Blade, Extreme.....	3
7	103-8415	Roller, Anti-Scalp.....	4
8	103-9522	Spacer, Splined Stepped.....	3
9	103-9523	Spacer, Splined .....	3
10	109-2180	Sheave, Blade Drive 9.00.....	3
11	109-2796	Pulley, Idler 6" .....	1
12	109-2872	Spacer, Pulley .....	1
13	109-2883	Asm, Deck Idler.....	1
14	109-9220	Screw, SEMS Hex 1/2-20 x 2.18.....	3
15	109-6658	Nut, Nyloc 3/8-16 Flg.....	32
16	109-6917	Asm, Spindle Housing .....	3
16:1	103-9504	Guard, Bottom.....	1
16:2	103-9539	Asm, Cutter Housing .....	1

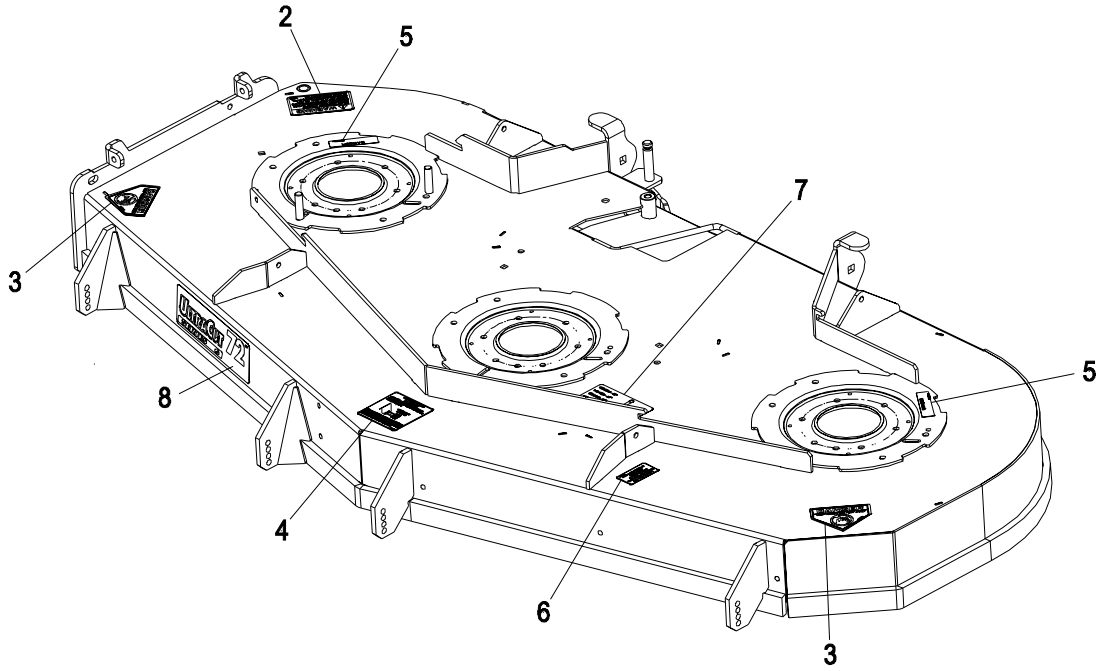
Item	Part No.	Description	Qty.
16:3	109-0916	Nut, Spindle 7/8-14 .....	1
16:4	109-6881	Spindle, Double Spline .....	1
17	116-0094	Cover, Belt RH 60-72 .....	1
18	109-6938	Cover, Belt LH 60-72.....	1
19	109-6982	Wireform, Cover.....	2
20	109-7033	Nut, Flange 5/8-18 Centerlock.....	3
21	109-7188	Asm, Discharge Chute .....	1
21:1	109-2738	Chute, Discharge .....	1
21:2	109-8675-01	Bracket, Discharge Chute .....	1
21:3	3231-22	Bolt, Carriage 3/8-16 x 1.....	3
21:4	109-6658	Nut, Nyloc 3/8-16 Flg.....	3
22	109-8590	Pulley, Idler 8 In Flanged.....	1
23	109-9023	Belt, V-5V X 219.00" .....	1
24	109-9695-01	Baffle, Discharge 726.....	1
25	109-9416	Wld, Spacer Idler .....	1
26	3211-46	Screw, HH 3/8-24 x 2 Gr8 .....	4
27	3231-22	Bolt, Carriage 3/8-16 x 1.....	2
28	3231-28	Bolt, Carriage 3/8-16 x 1 1/4.....	2
29	3231-42	Bolt, Carriage 3/8-16 x 3.....	1
30	3231-44	Bolt, Carriage 3/8-16 x 2 1/2.....	1
31	109-2098	Kit, Antiscalp .....	3
32	109-9649	Asm, Deck Complete 726 .....	1

Exmark red touch up paint (spray paint – P/N 1-850337 - .6 oz liquid bottle – P/N 103-9140).

● Requires installation of Micro-Mulch accessory for proper mulching. Mulch kit P/N MK726

■ Apply Mobil HTS grease (P/N 103-5217 1.5 oz packet) (or a food-grade anti-seize) between the spindles and bearings. DO NOT use a copper or nickel based anti-seize.

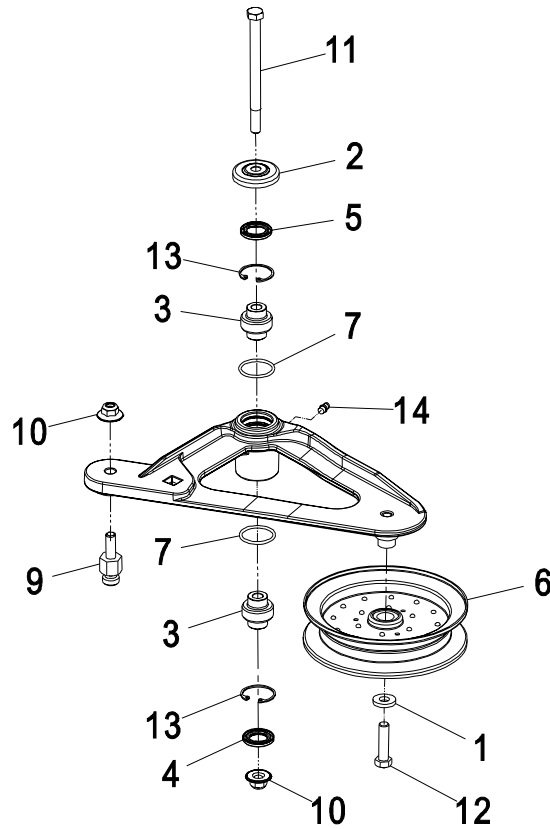
# 72" DECK W/DECALS ASSEMBLY – 109-9133



Item	Part No.	Description	Qty.
2	1-303508	Decal, Warning, Discharge .....	1
3	1-403005	Decal, Danger .....	2
4	1-633922	Decal, Antiscalp .....	1
5	98-5954	Decal, Cover, Missing .....	2

Item	Part No.	Description	Qty.
6	109-3148	Decal, Bolt Torque .....	1
7	109-9361	Decal, Belt Routing .....	1
8	109-9440	Decal, Ultracut 72 Series 6 .....	1

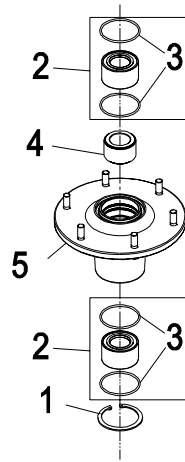
# DECK IDLER ASSEMBLY – 109-2883



Item	Part No.	Description	Qty.
1	43-0940	Spacer-Hub, Blower.....	1
2	103-2916	Guard, Top.....	1
3	103-3504	Bearing, Spherical.....	2
4	103-3505	Seal, Double Lip.....	1
5	103-3506	Seal, Single Lip.....	1
6	103-8743	Pulley, Idler 5" Flanged.....	1
7	106-7159	O-Ring.....	2

Item	Part No.	Description	Qty.
9	109-7399	Pin, Spring Anchor.....	1
10	109-6658	Nut, Nyloc 3/8-16 Flg.....	2
11	109-7409	Screw, Shoulder 3/8-16 x 5.....	1
12	323-8	Screw, HH 3/8-16 x 1 1/2.....	1
13	32120-10	Ring, Retaining.....	2
14	302-19	Zerk, 1/4-28 Str.....	1

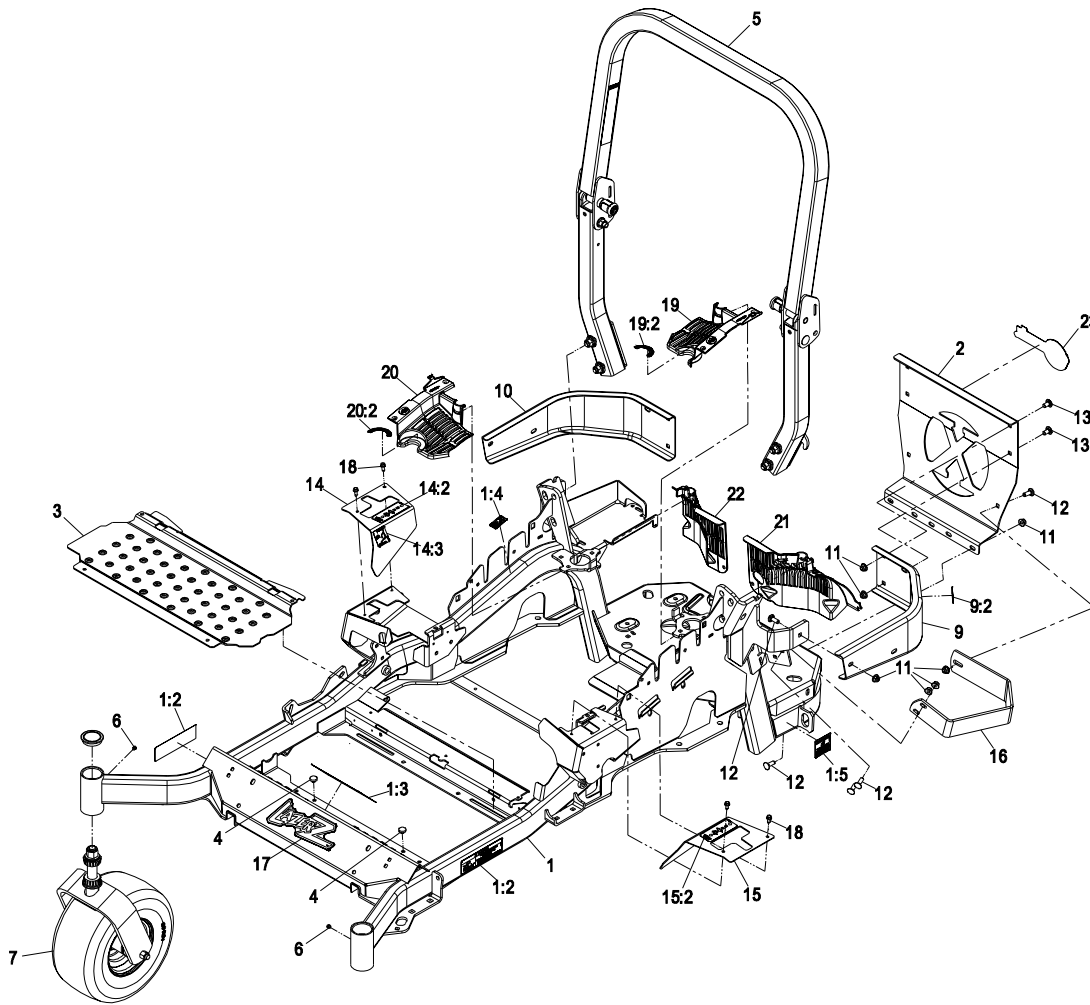
# CUTTER HOUSING ASSEMBLY – 103-9539



Item	Part No.	Description	Qty.
1	92-5581	Ring-Retaining .....	1
2	109-2064	Asm, Bearing W/O-Rings.....	2
3	103-5895	O-Ring .....	4

Item	Part No.	Description	Qty.
4	103-9506	Spacer, Bearing.....	1
5	109-0764	Asm, Housing W/Studs.....	1

# MAINFRAME GROUP



Item	Part No.	Description	Qty.
1	109-7345	Frame, Main 48/52 W/Decals.....	1
	109-7347	Frame, Main 60 W/Decals .....	1
	109-7349	Frame, Main 72 W/Decals .....	1
1:2	109-9477	Decal, Warning Spring Load .....	2
1:3	107-2112	Decal, Warning .....	1
1:4	103-2076	Decal, Caution Hot Surface.....	2
1:5	116-0205	Decal, Belt Drive .....	2
2	109-8863-03	Plate, Rear Guard .....	1
3	116-0024-01	Floorpan.....	1
4	1-513658	Bumper .....	2
5	116-0230	Asm, ROPS Service .....	1
6	1-811010	Plug .....	2
7▲		Asm, Caster Wheel (60" & 72").....	2
		Asm, Caster Wheel (48" & 52").....	2
9	116-0180	Bumper, Rear LH W/Decal .....	1
9:2	103-2076	Decal, Caution Hot Surface.....	1
10	116-0057-03	Bumper, Rear RH .....	1
11	104-8301	Nut, Nyloc 3/8-16 Flg .....	11
12	3231-22	Bolt, Carriage 3/8-16 x 1 .....	7

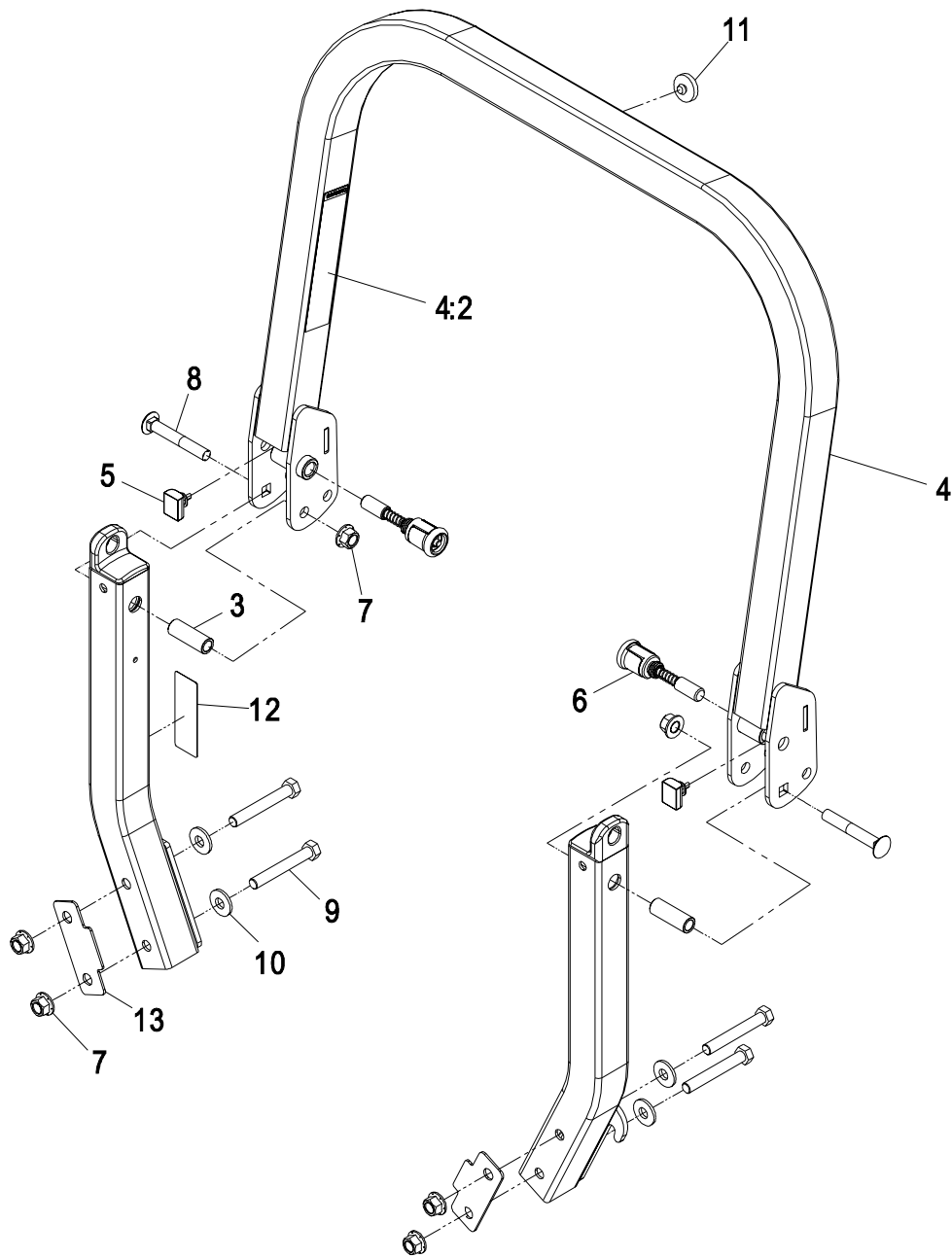
Item	Part No.	Description	Qty.
13	3231-21	Bolt, Carriage 3/8-16 x 3/4 .....	4
14	116-0579	Asm, Motion Control Cover W/Decal RH ....	1
14:2	109-7232	Decal, Motion Control .....	1
14:3	109-7929	Decal, Park Brake.....	1
15	116-0580	Asm, Motion Control Cover W/Decal LH	1
15:2	109-7232	Decal, Motion Control .....	1
16	116-0043-03	Guard, Muffler.....	1
17	103-3113	Decal, Lazer Model.....	1
18	32144-10	Screw, HWH 1/4-20 x .62 .....	4
19	116-0170	Asm, Guard, Hydro W/Decal .....	1
19:2	116-0157	Decal, Hydro Oil .....	1
20	116-0171	Asm, Guard, Hydro W/Decal .....	1
20:2	116-0157	Decal, Hydro Oil .....	1
21	109-9709	Guard, Hydro Rear	
		LH Trim (34HP Kohler) .....	1
	109-9057	Guard, Hydro Rear LH.....	1
22	109-9058	Guard, Hydro Rear RH .....	1
23	103-2883	Decal, Exmark Logo .....	1

Exmark red touch up paint (spray paint – P/N 1-850337 - .6 oz liquid bottle – P/N 103-9140).

Exmark black touch up spray paint – gloss black.

▲ See pages 15 & 16.

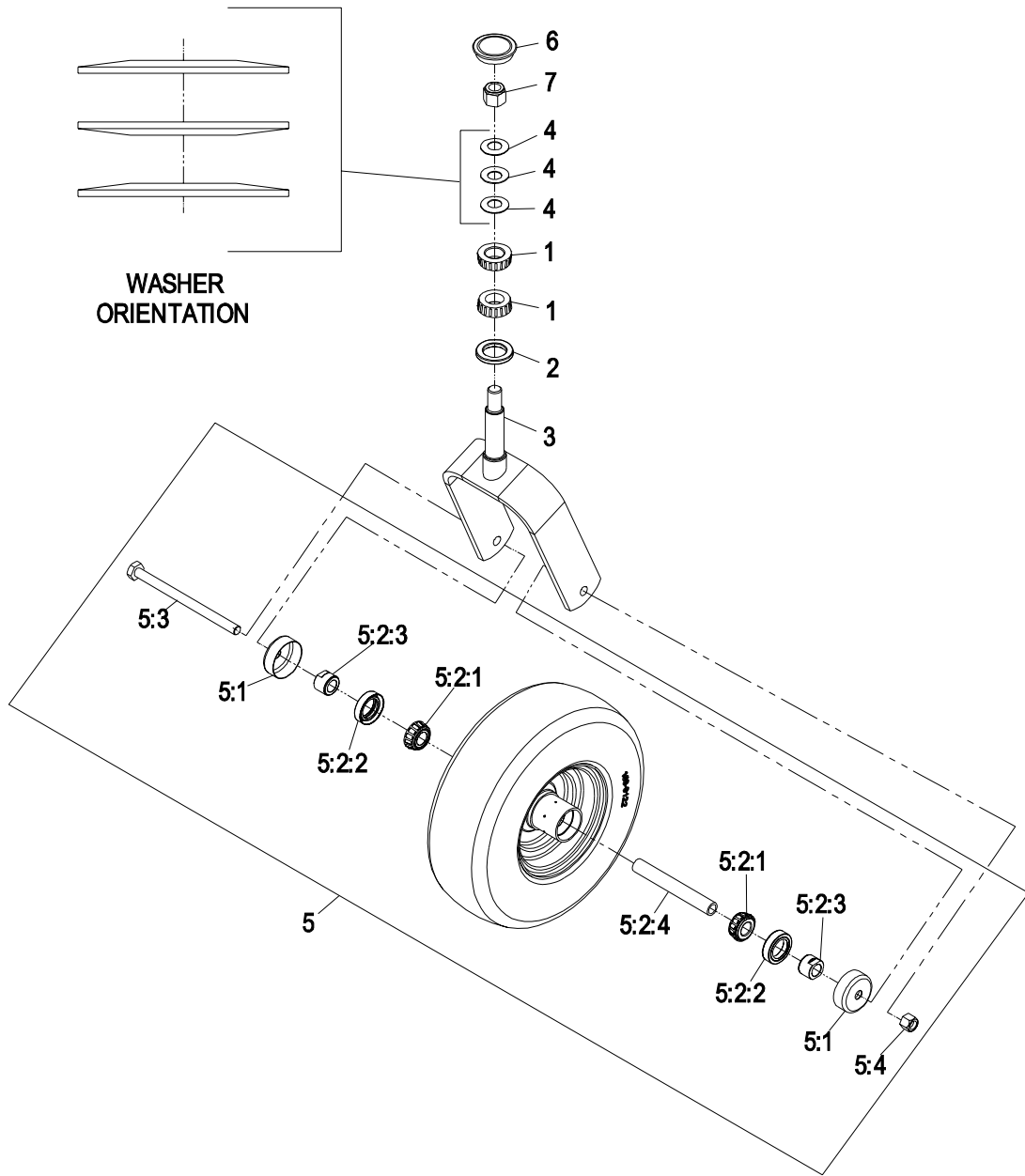
# ROPS ASSEMBLY – 116-0230



Item	Part No.	Description	Qty.
3	109-6653	Spacer .....	2
4	116-0019	Asm, Rops Upper W/Decal .....	1
4:2	107-2102	Decal, Warning, Folding Rops .....	1
5	109-5337	Bumper, Rops .....	2
6	116-0104	Asm, Spring Pin .....	2
7	99-5107	Nut, Lock 1/2-13 .....	6

Item	Part No.	Description	Qty.
8	3233-10	Bolt, Carriage 1/2-13 x 3 1/2 .....	2
9	325-17	Screw, HH 1/2-13 x 4 .....	4
10	1-513435	Washer, Spring Disc 1/2 .....	4
11	109-9233	Bumper, Rubber Push-In .....	1
12	116-0090	Decal, Caution Fuel Vent .....	1
13	116-0960	Spacer .....	2

## CASTER WHEEL ASSEMBLY – 48” & 52”



Item	Part No.	Description	Qty.
1	1-543509	Cone, Bearing Tapered Roller .....	2
2	1-543511	Seal, Grease .....	1
3	109-1092-01	Wld, Caster Fork .....	1
4	1-633508	Washer, Spring Disc.....	3
5	109-9126	Asm, Wheel And Tire W/Axle .....	1
5:1	103-2768	Guard, Seal .....	2
5:2:1	1-633585	Bearing, Cone Tapered Roller .....	2

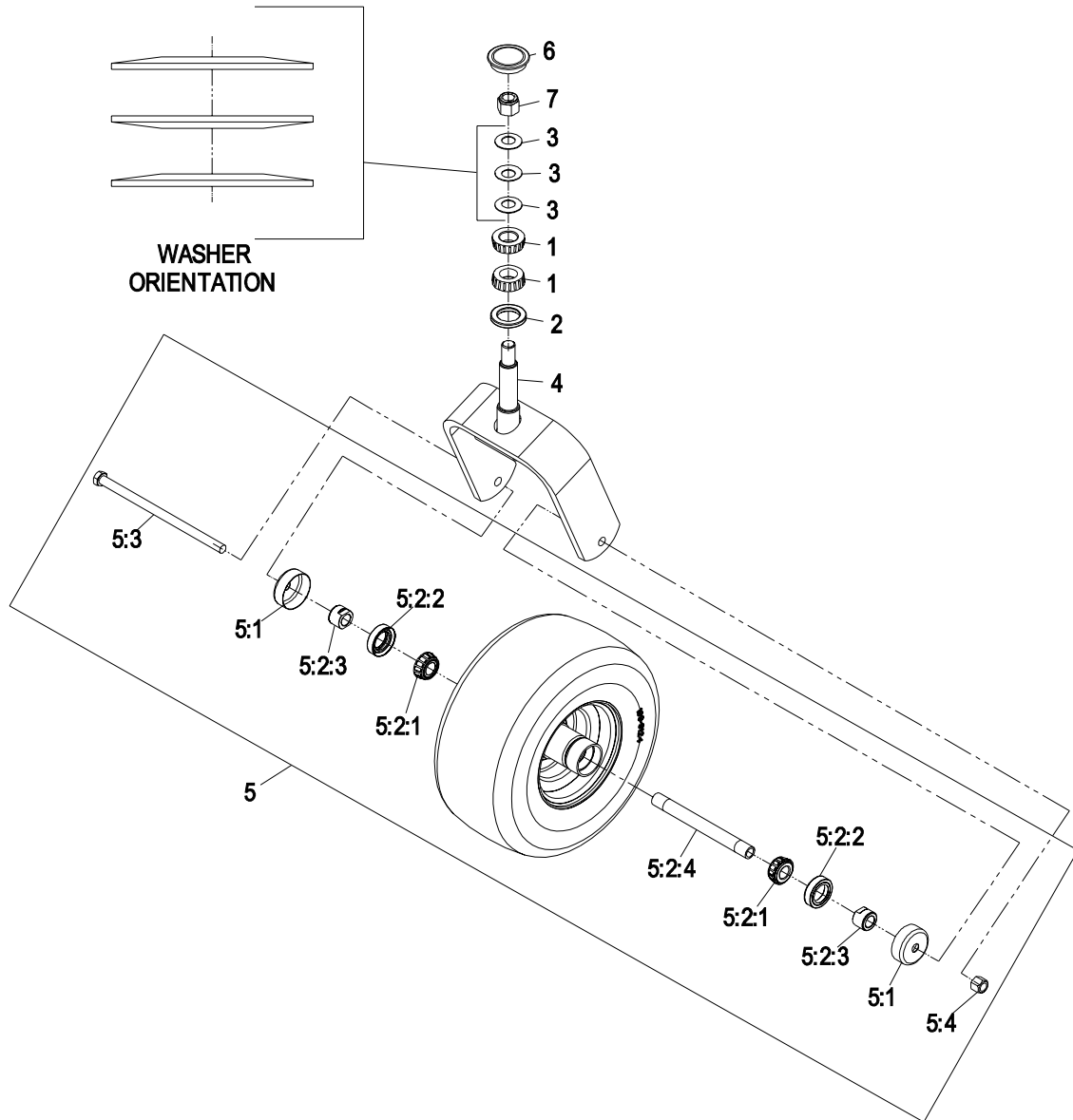
Item	Part No.	Description	Qty.
5:2:2	103-0063	Seal, Double Lip.....	2
5:2:3▲	103-3051	Spacer, Nut .....	2
5:2:4	103-3155	Axle, Caster.....	1
5:3	325-42	Screw, HH 1/2-13 x 8 .....	1
5:4	3296-23	Nut, Nyloc 1/2-13 .....	1
6	103-4882	Cap-Grease.....	1
7	3296-51	Nut, Nyloc 3/4-10 .....	1

Exmark red touch up paint (spray paint – P/N 1-850337 - .6 oz liquid bottle – P/N 103-9140).

▲ Use Pro-Lock, Nut Type (P/N 1-840022, .5ml tube) on spacer nut, item 5:2:3.



# CASTER WHEEL ASSEMBLY – 60” & 72”



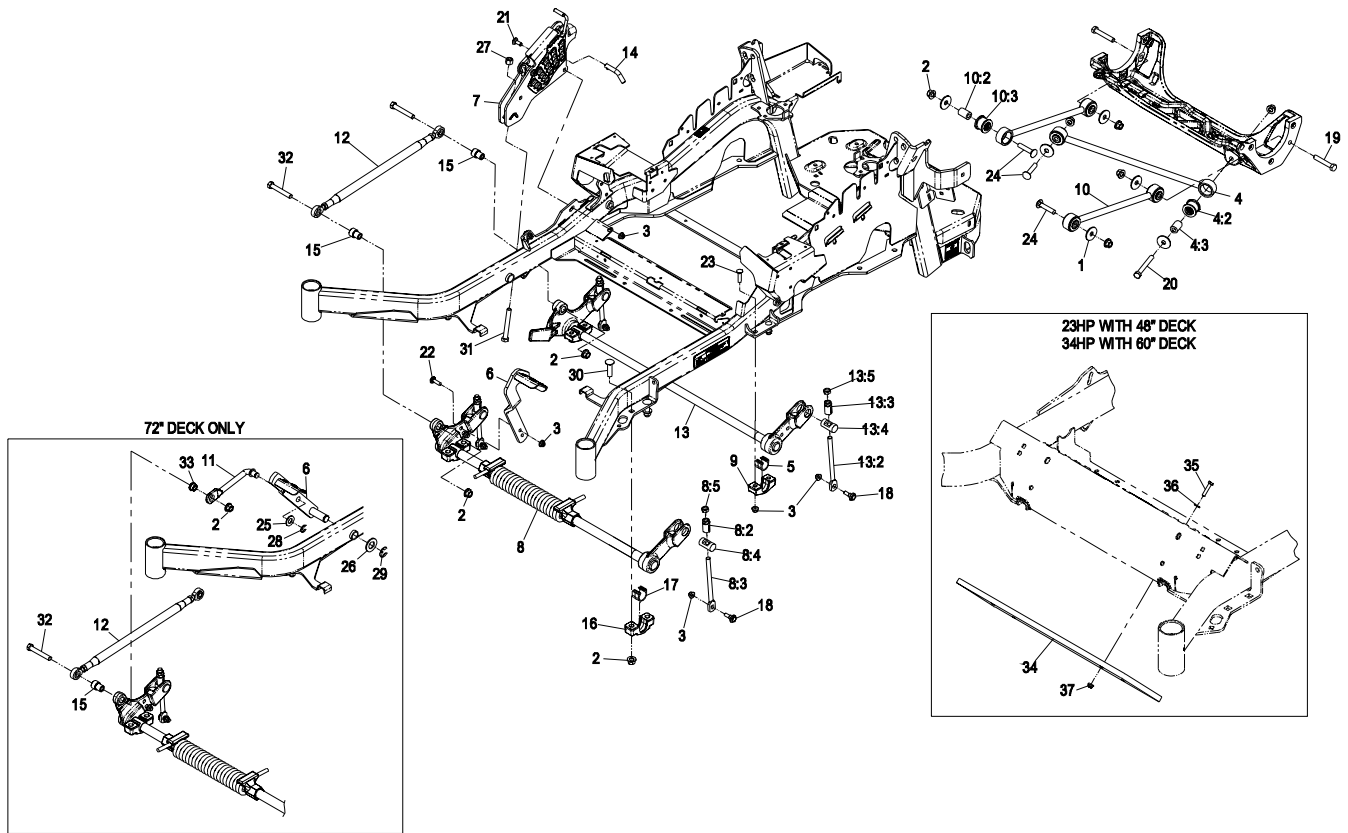
Item	Part No.	Description	Qty.
1	1-543509	Cone, Bearing Tapered Roller .....	2
2	1-543511	Seal, Grease .....	1
3	1-633508	Washer, Spring Disc.....	3
4	103-1474-01	Fork-Caster .....	1
5	109-9127	Asm, Wheel And Tire W/Axle .....	1
5:1	103-2768	Guard, Seal .....	2
5:2:1	1-633585	Bearing, Cone Tapered Roller .....	2

Item	Part No.	Description	Qty.
5:2:2	103-0063	Seal, Double Lip.....	2
5:2:3▲	103-3051	Spacer, Nut .....	2
5:2:4	103-5156	Axle, Caster.....	1
5:3	325-39	Screw, HH 1/2-13 x 9 1/2 .....	1
5:4	3296-23	Nut, Nyloc 1/2-13 .....	1
6	103-4882	Cap-Grease.....	1
7	3296-51	Nut, Nyloc 3/4-10 .....	1

Exmark red touch up paint (spray paint – P/N 1-850337 - .6 oz liquid bottle – P/N 103-9140).

▲ Use Pro-Lock, Nut Type (P/N 1-840022, .5ml tube) on spacer nut, item 5:2:3.

# DECK SUPPORT GROUP

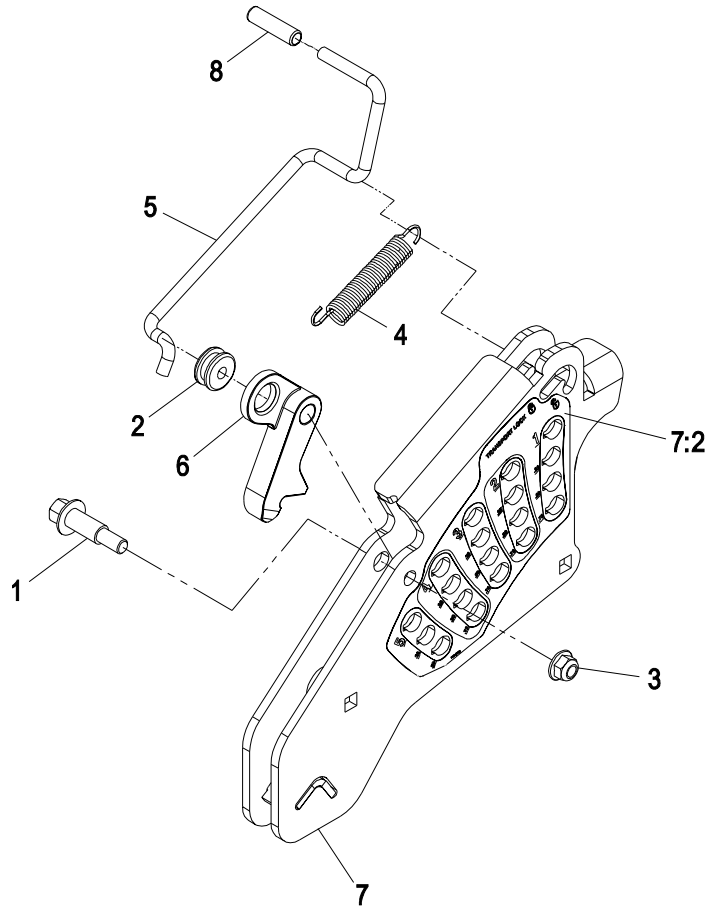


Item	Part No.	Description	Qty.
1	86-1990	Washer .....	6
2	99-5107	Nut, Lock 1/2-13 .....	12
3	104-8301	Nut, Nyloc 3/8-16 Flg (48", 52" & 60") .....	12
	104-8301	Nut, Nyloc 3/8-16 Flg (72") .....	10
4	109-5013	Asm, Panhard Rod .....	1
4:2	109-5009	Bushing, Rubber Suspension .....	2
4:3	109-5010	Spacer .....	2
5	109-7173	Bearing, Cross Shaft Rear .....	2
6	109-7202-01	Wld, Foot Lever (72") .....	1
	109-8737-01	Wld, Foot Pedal (48", 52" & 60") .....	1
7	109-7438	Asm, Height Of Cut .....	1
8	116-0356	Asm, Deck Lift Front 7/16 (48" & 52") .....	1
	116-0358	Asm, Deck Lift Front 1/2 (60" & 72") .....	1
8:2	109-7840	Adjuster, Deck Lift .....	2
8:3	109-8007	Link, Deck Lift Adjuster .....	2
8:4	109-8353	Trunnion .....	2
8:5	3218-5	Nut-Jam .....	2
9	116-0818-03	Support, Bearing Cross Shaft .....	2
10	109-7952	Asm, Deck Strut .....	2
10:2	109-5009	Bushing, Rubber Suspension .....	2
10:3	109-5010	Spacer .....	2
11	109-8004	Link, Foot Lever (72") .....	1
12	116-0806	Wld, Side Link .....	1
13	116-0362	Asm, Deck Lift Rear .....	1
13:2	109-8007	Link, Deck Lift Adjuster .....	2
13:3	109-7840	Adjuster, Deck Lift .....	2
13:4	109-8353	Trunnion .....	2

Item	Part No.	Description	Qty.
13:5	3218-5	Nut-Jam .....	2
14	109-8757	Pin, Hoc .....	1
15	116-0795	Bushing, Flange .....	2
16	109-9409	Support, Bearing Cross Shaft Front .....	2
17	109-9410	Liner, Bearing .....	2
18	109-9840	Screw, Hex Flange 3/8-16 x .80 .....	4
19	325-12	Screw, HH 1/2-13 x 3 .....	2
20	325-17	Screw, HH 1/2-13 x 4 .....	1
21	3231-2	Bolt, Carriage 3/8-16 x 1 .....	2
22	3231-28	Bolt, Carriage 3/8-16 x 1 1/4 (48", 52" & 60") .....	2
23	3231-4	Bolt, Carriage 3/8-16 x 1 1/2 .....	4
24	3233-34	Bolt, Carriage 1/2-13 x 2 1/2 .....	3
25	3256-27	Washer, 5/8 SAE (72") .....	1
26	3256-29	Washer, 7/8 SAE (72") .....	1
27	3296-23	Nut, Nyloc 1/2-13 .....	1
28	32120-19	E-Ring (72") .....	1
29	32151-103	E-Ring (72") .....	1
30	3233-37	Screw, Carriage 1/2-13 x 2.5 .....	4
31	116-0559	Bolt, 1/2-13 x 4 .....	1
32	325-13	Screw, HH 1/2-13 x 3 1/4 .....	2
33	116-0796	Bushing, Flange (72") .....	1
34	116-0827-01	Weight, Toe Board .....	1
35	321-8	Screw, HH 1/4-20 x 1 1/4 .....	4
36	3256-22	Washer, 1/4 SAE .....	4
37	104-7201	Nut, Nyloc 1/4-20 Flg .....	4

Exmark red touch up paint (spray paint – P/N 1-850337 - .6 oz liquid bottle – P/N 103-9140)

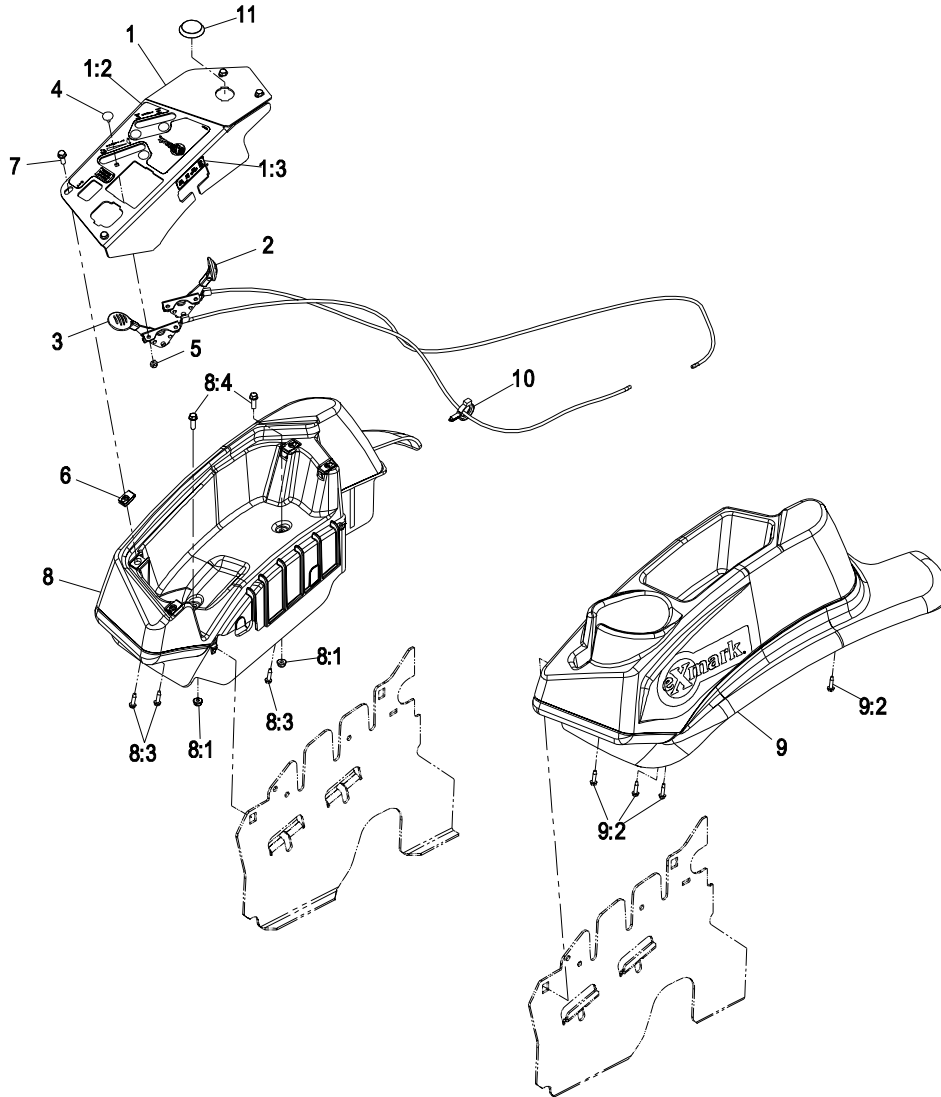
# HEIGHT OF CUT ASSEMBLY – 109-7438



Item	Part No.	Description	Qty.
1	62-1330	Bolt-Shoulder .....	1
2	109-7130	Grommet.....	1
3	104-8301	Nut, Nyloc 3/8-16 Flg .....	1
4	109-7124	Spring, Extension.....	1
5	109-7128	Rod, Transport Lock .....	1

Item	Part No.	Description	Qty.
6	116-0118	Pawl, Transfer Lock.....	1
7	109-7335	Asm, Hoc Plate W/Decal .....	1
7:2	116-0752	Decal, Cut Of Height.....	1
8	109-8250	Grip, Lever.....	1

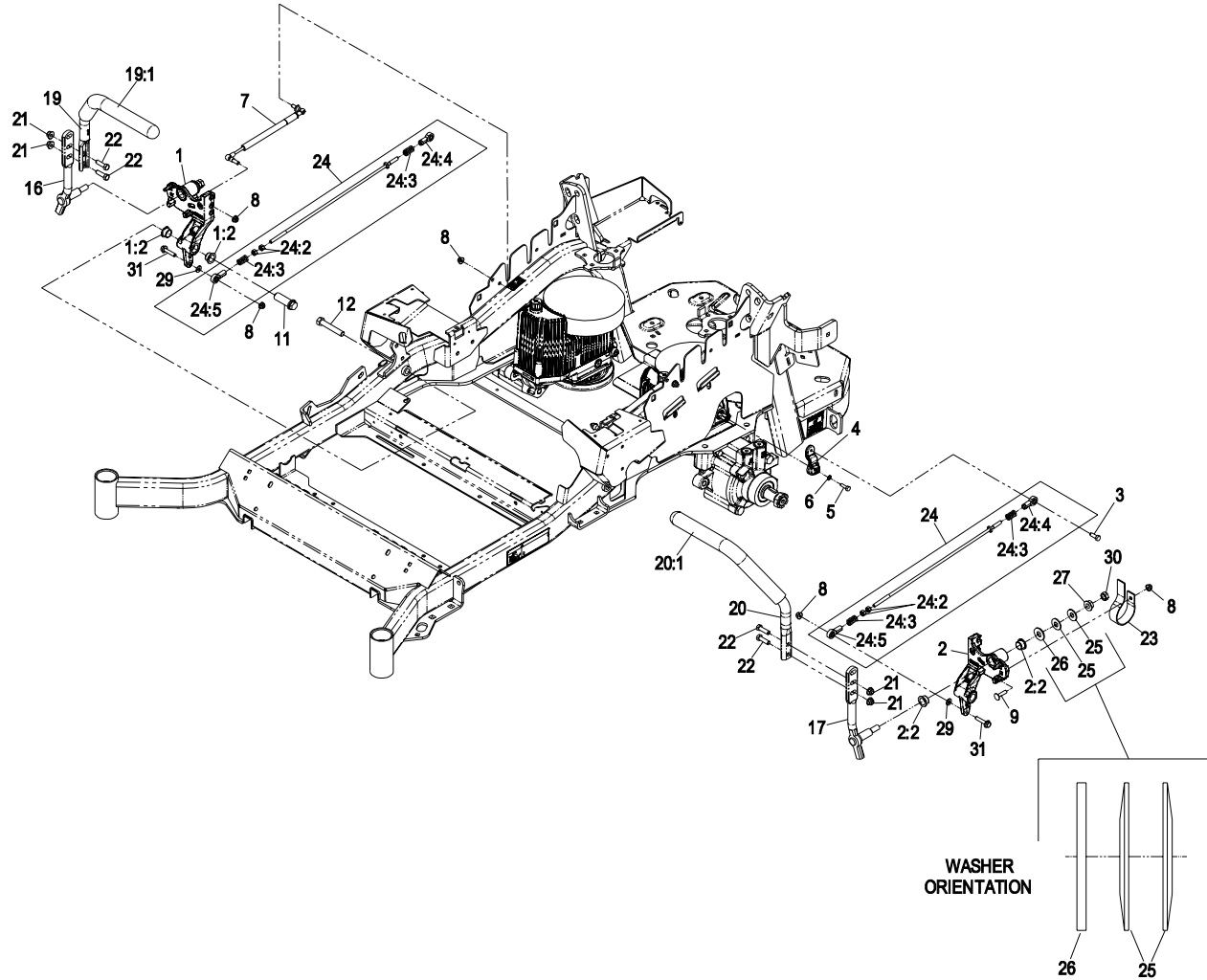
# CONTROLS GROUP



Item	Part No.	Description	Qty.
1	109-8484	Console, Panel W/Decal .....	1
1:2	109-8483	Decal, Control Panel .....	1
1:3	109-7330	Decal, Fuse.....	1
2	109-4601	Asm, Choke Cable (34HP Kawasaki).....	1
	109-8165	Asm, Choke Cable (Kohler) .....	1
	109-8167	Asm, Choke Cable (29HP Kawasaki).....	1
3	109-4602	Asm, Throttle Cable (34HP Kawasaki)...	1
	109-8166	Asm, Throttle Cable (All Units except 34HP Kawasaki).....	1
4	1-807513	Bolt, Carriage #10-24 x 1/2 .....	4
5	3296-2	Nut, Nyloc #10-24 .....	4

Item	Part No.	Description	Qty.
6	107069	Clip .....	4
7	32105-15	Screw, Machine 1/4-20 x 3/4.....	4
8	109-9341	Console, RH Narrow Asm .....	1
8:1	104-7201	Nut, Nyloc 1/4-20 Flg .....	2
8:3	109-9345	Screw, HWH #10-14 x 3/4 TF .....	3
8:4	32105-15	Screw .....	2
9	109-9342	Console.LH Narrow Asm .....	1
9:2	109-9345	Screw, HWH #10-14 x 3/4 TF .....	4
10	105-1853	Clamp, Hose.....	1
11	109-9445	Plug, Plastic.....	1

# MOTION CONTROL GROUP

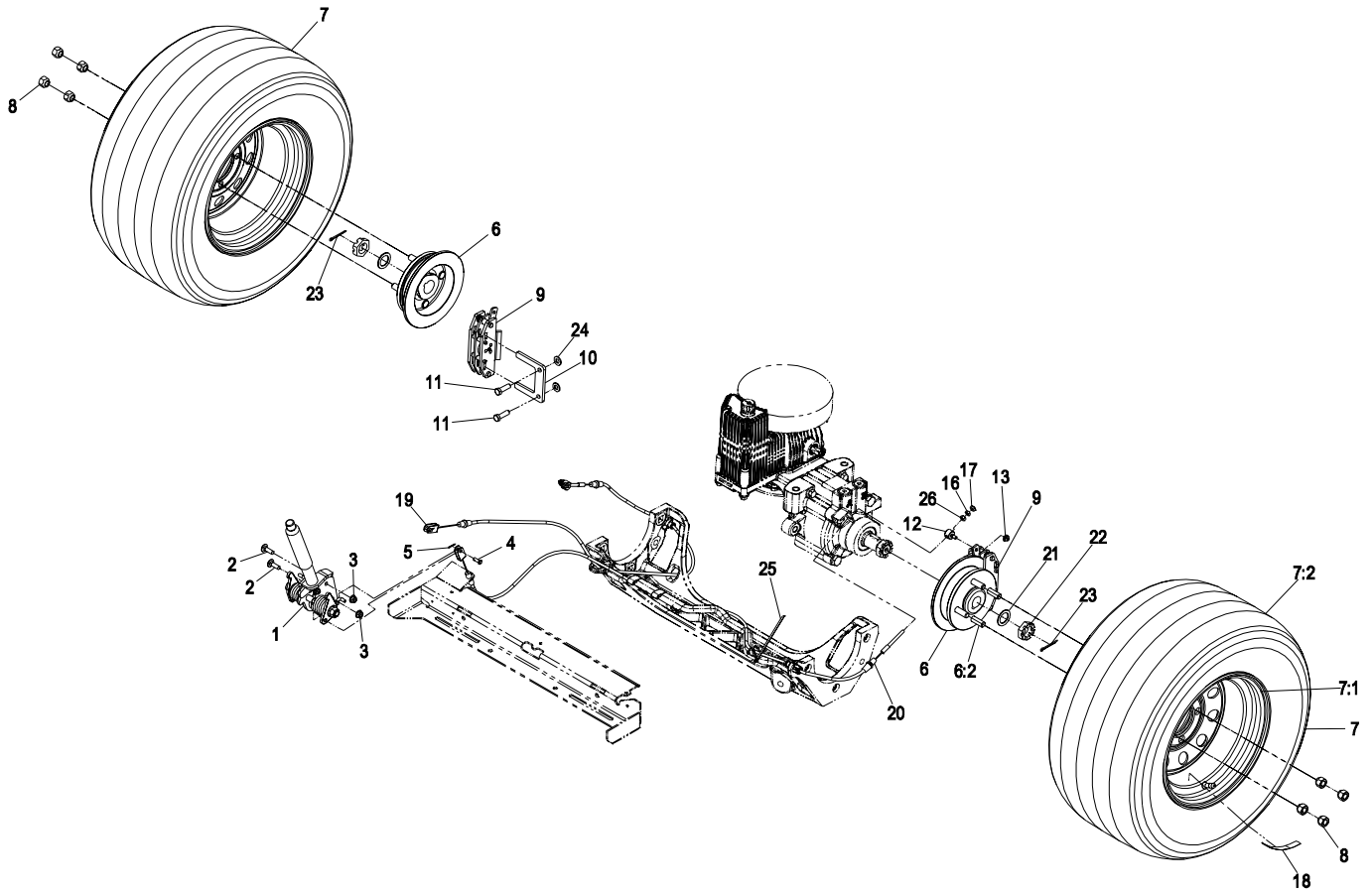


Item	Part No.	Description	Qty.
1	116-0880	Asm, Mot Ctrl/Bushing RH .....	1
1:2	109-8054	Bushing, Flanged .....	4
2	116-0881	Asm, Mot Ctrl/Bushing LH .....	1
2:2	109-8054	Bushing, Flanged .....	4
3▲	116-0648	Screw, HH 5/16-18 x 1 W/Patch .....	2
4	109-4581	Arm, Pump Control .....	2
5▲	9080046	Screw, HH 1/4-20 x 7/8 .....	2
6	1-303435	Washer, Spring Disc 1/4 .....	2
7	116-0027	Damper, Motion Control .....	2
8	104-8300	Nut, Nyloc 5/16-18 Flg .....	8
9	3230-2	Bolt, Carriage 5/16-18 x 1 .....	2
11	109-5891	Hub, Threaded .....	2
12	325-12	Screw, HH 1/2-13 x 3 .....	2
16	116-0039	Lever, Motion Control RH .....	1
17	116-0040	Lever, Motion Control LH .....	1
19	109-6589	Asm, Steering Handle RH .....	1
19:1	109-5668	Grip, Control Lever .....	1

Item	Part No.	Description	Qty.
20	109-6590	Asm, Steering Handle LH .....	1
20:1	109-5668	Grip, Control Lever .....	1
21	104-8301	Nut, Nyloc 3/8-16 Flg .....	4
22	323-7	Screw, HH 3/8-16 x 1 1/4 .....	4
23	109-5575	Spring, Leaf Rtn .....	2
24	109-8106	Asm, Pump Linkage Front (60" & 72") ...	2
	109-8107	Asm, Pump Linkage Rear (48" & 52) ....	2
24:2	3219-2	Nut, Hex 5/16-24 .....	2
24:3	1-323245	Spring, Compression .....	2
24:4	1-633152	Balljoint .....	1
24:5	1-543017	Balljoint .....	1
25	109-9505	Washer, Spring Disc 1/2 .....	4
26	3256-6	Washer .....	2
27	32128-23	Nut, Hex 1/2-13 Side Lock .....	2
29	3256-23	Washer .....	2
30	3218-5	Nut, Jam 1/2-13 .....	2
31	115-1794	Screw, Hex Flange 5/16-18 x 1 1/2 .....	2

▲ Use Pro-Lock, Nut Type (P/N 1-840022, .5ml tube).

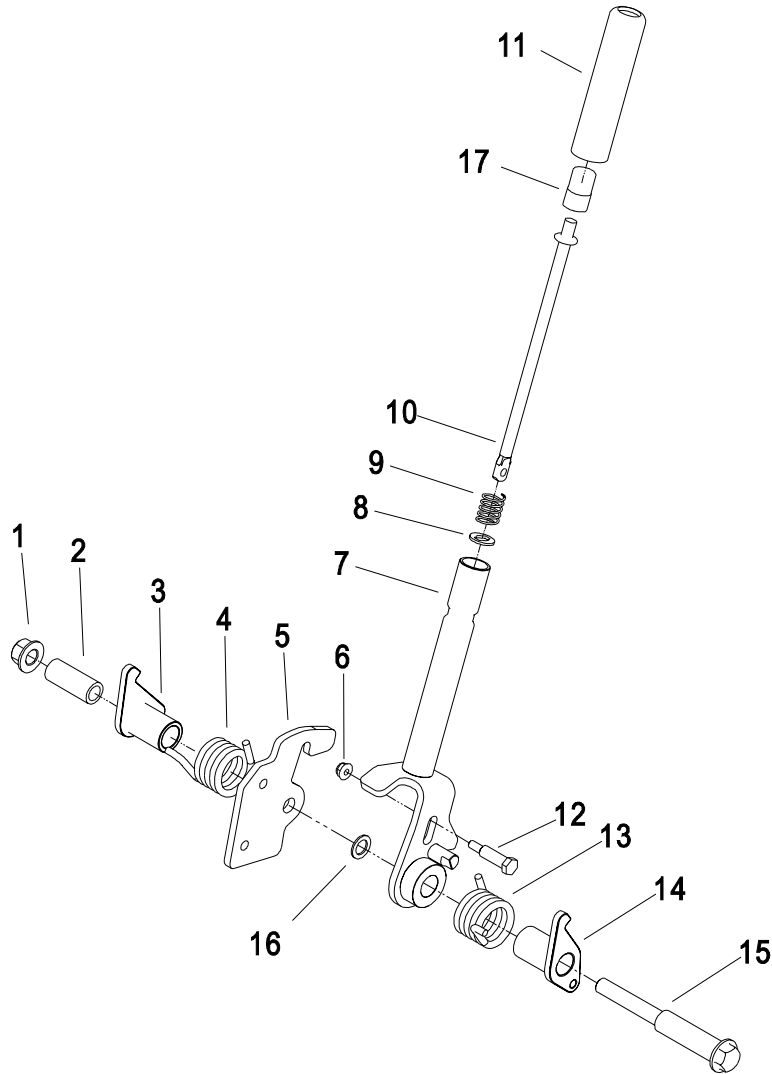
# PARK BRAKE GROUP



Item	Part No.	Description	Qty.
1	117-0383	Asm, Brake Handle.....	1
2	3230-2	Bolt, Carriage 5/16-18 x 1 .....	2
3	104-8300	Nut, Nyloc 5/16-18 Flg .....	2
4	60-1730	Pin-Clevis.....	2
5	3272-1	Pin, Cotter 1/16 x 1/2 .....	2
6	115-3624	Wheel Hub And Stud Asm .....	2
6:2	1-633926	Stud-Wheel.....	4
7	109-3050	Asm, Wheel & Tire (48") .....	2
	109-3247	Asm, Wheel & Tire (52") .....	2
	109-3248	Asm, Wheel & Tire (60") .....	2
	109-3158	Asm, Wheel & Tire (72") .....	2
7:1	109-3645	Wheel (48").....	1
	109-2875	Wheel (52").....	1
	109-2871	Wheel (60").....	1
	109-3156	Wheel (72").....	1
7:2	103-2771	Tire (48" & 52").....	1
	103-2744	Tire (60" & 72").....	1

Item	Part No.	Description	Qty.
8	242-50	Nut, Lug 1/2-20.....	8
9	109-2889	Caliper-Brake.....	2
10	109-0958	Plate, Brake Mount .....	2
11	323-7	Screw, HH 3/8-16 x 1 1/4.....	4
12	112-8379	Swivel.....	2
13	104-7201	Nut, Nyloc 1/4-20 Flg.....	2
16	3220-1	Nut, Jam 1/4-28.....	2
17	3296-13	Nut, Nyloc 1/4-28.....	2
18	116-0165	Decal, Wheel Hub, Slotted Nut .....	2
19	115-3584	Cable.....	1
20	115-3585	Cable.....	1
21	1-523157	Washer.....	2
22	1-809036	Nut, Slotted 1-20.....	2
23	1-806800	Pin, Cotter 9/64 x 1 1/2 .....	2
24	3256-24	Washer, 3/8 SAE.....	4
25	116-0940	Tie .....	2
26	3219-1	Nut, Hex 1/4-28.....	2

# BRAKE HANDLE ASSEMBLY – 117-0383

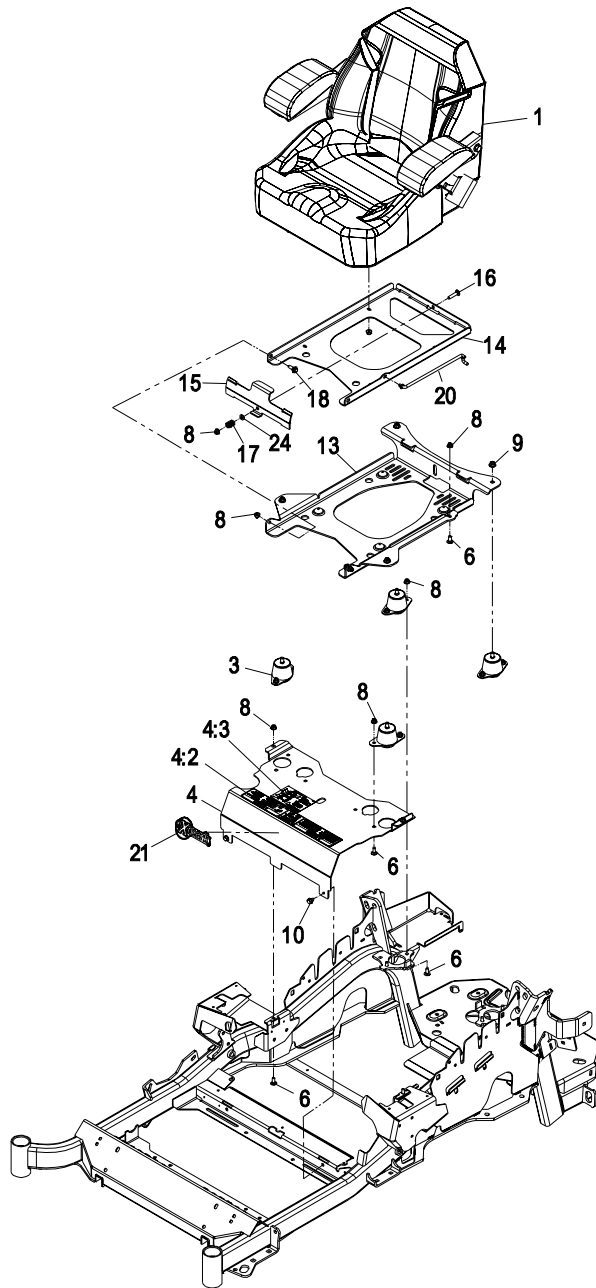


Item	Part No.	Description	Qty.
1	99-5107	Nut, Lock 1/2-13 .....	1
2	117-0380	Spacer .....	1
3	115-3580	Arm, Brake LH .....	1
4	117-0376	Spring Torsion RH .....	1
5	115-3574	Plate-Latch.....	1
6	104-7201	Nut, Nyloc 1/4-20 Flg .....	1
7	117-0382-03	Brake Handle Asm .....	1
8	114-1207	Washer, Special.....	1
9	114-8187	Spring-Compression .....	1

Item	Part No.	Description	Qty.
10	115-3581	Rod-Brake Release .....	1
11	115-3592	Grip 1.0 In.....	1
12	112-8387	Bolt, HH Shoulder 1/4-20 x 1.64 .....	1
13	117-0375	Spring Torsion LH.....	1
14	115-3579	Arm, Brake RH .....	1
15	117-0379	Bolt, Shoulder 1/2-13 x 5.57 .....	1
16	117-0378	Washer.....	1
17	115-2750	Knob.....	1

Exmark black touch up spray paint – gloss black.

# SEAT GROUP



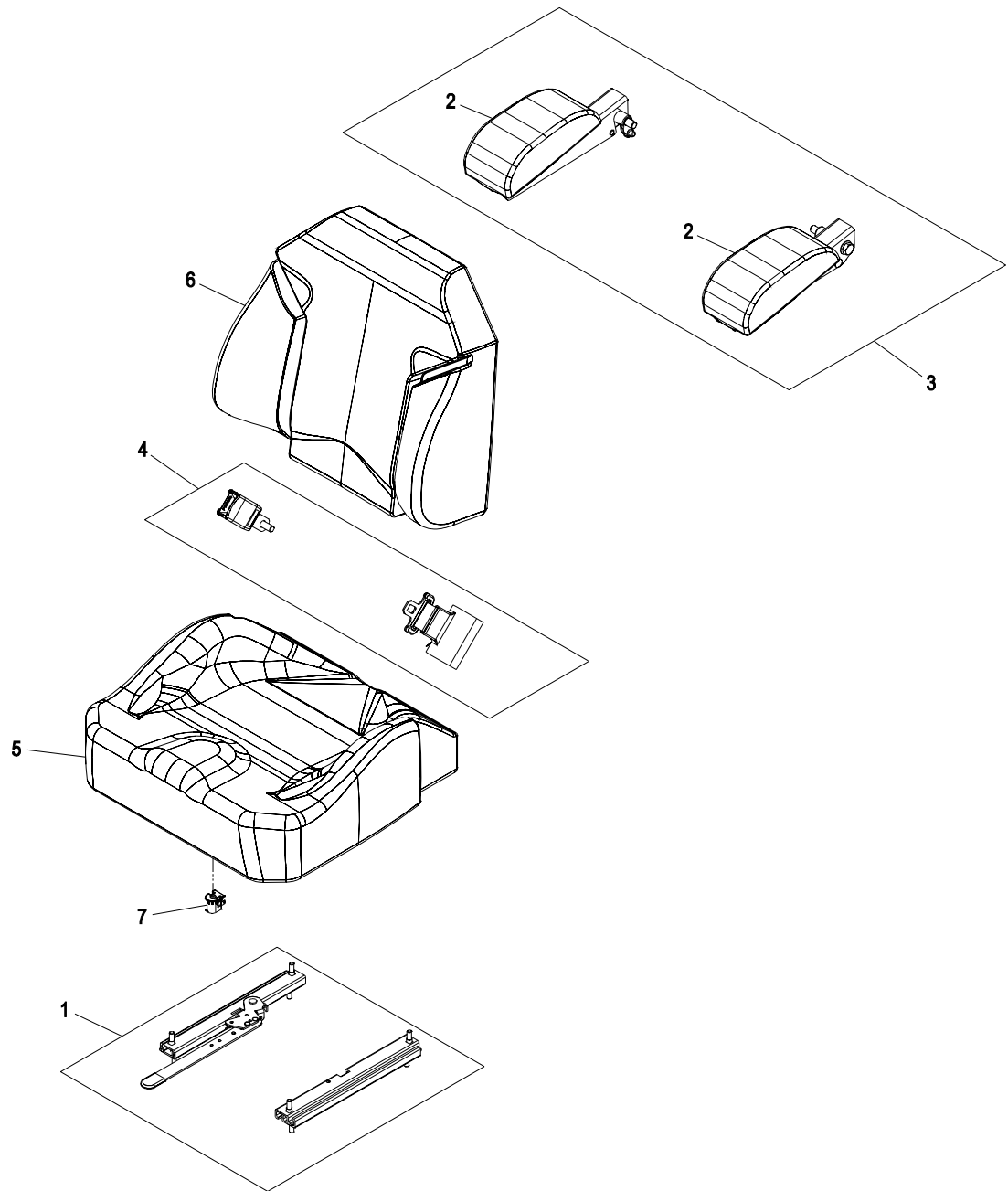
Item	Part No.	Description	Qty.
1	116-0036	Asm, Seat W/Tracks.....	1
3	109-9034	Seat Isolator.....	4
4	109-9036	Mount, Seat W/Decals .....	1
4:2	109-7069	Decal, Console .....	1
4:3	116-0211	Decal, Service Lz.....	1
6	3230-23	Bolt, Carriage 5/16-18 x 3/4, short neck	11
8	104-8300	Nut, Nyloc 5/16-18 Fig .....	18
9	104-8301	Nut, Nyloc 3/8-16 Fig .....	4
10	9266934	Screw, HWH 5/16 x 1/2 TF .....	2

Item	Part No.	Description	Qty.
13	116-0181-03	Plate, Seat Support .....	1
14	116-0179-03	Plate, Seat Base .....	1
15	109-9881-03	Plate, Seat Latch .....	1
16	3230-4	Bolt, Carriage 5/16-18 x 1 1/2 .....	1
17	107-3017	Spring-Compression .....	1
18	99-5284	Screw-Shoulder .....	2
20	116-0070	Rod, Prop .....	1
21	103-2883	Decal, Exmark Logo .....	1
24	3256-23	Washer, 5/16 SAE .....	1

Exmark black touch up spray paint – gloss black



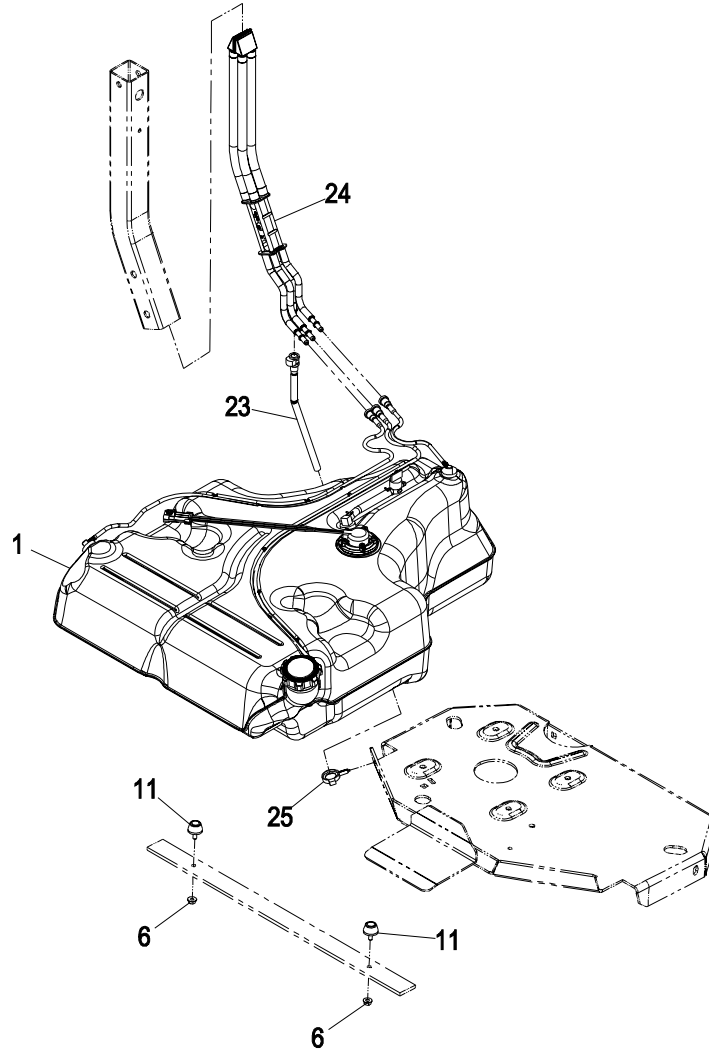
# SEAT W/TRACKS ASSEMBLY – 116-0036



Item	Part No.	Description	Qty.
1	109-9801	Set, Seat Track .....	1
2	109-9812	Set, Arm Rest Pads .....	1
3	109-9815	Kit, Arm Rest Set .....	1
4	116-0751	Kit, Seat Belt (short buckle) .....	1

Item	Part No.	Description	Qty.
5	109-9807	Cover, Cushion .....	1
6	109-9817	Cover, Back .....	1
7	82-2190	Switch, Occupancy .....	1

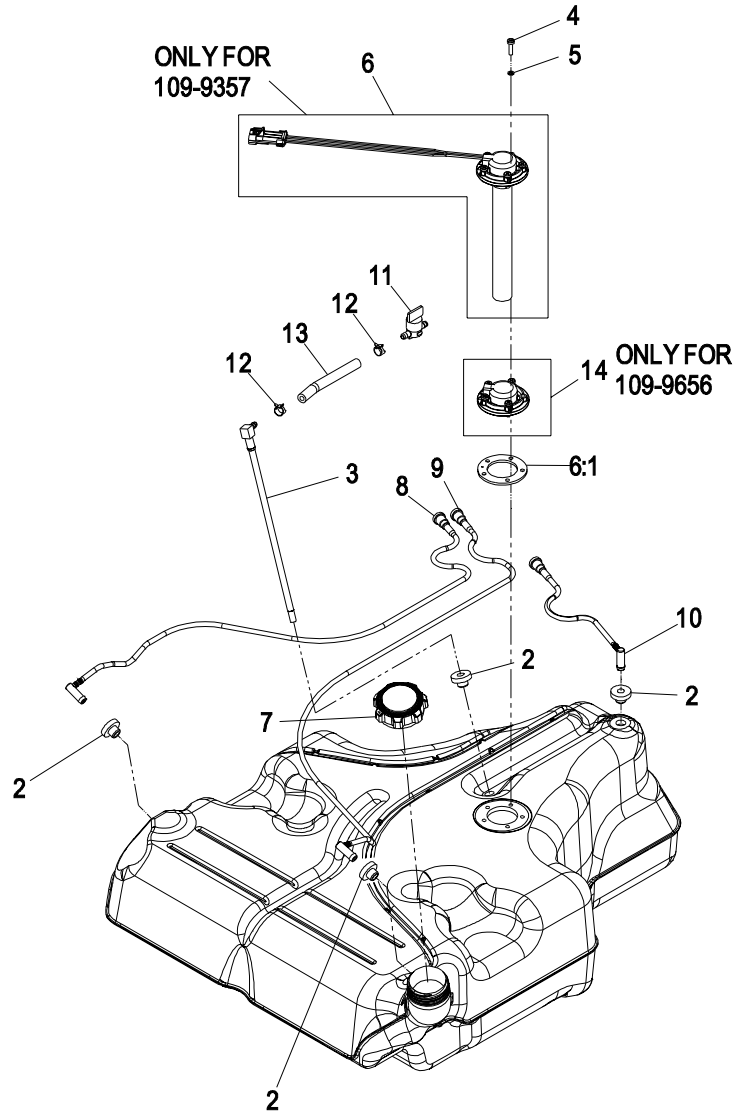
# FUEL TANK GROUP



Item	Part No.	Description	Qty.
1	109-9357	Asm, Fuel Tank.....	1
	109-9656	Asm, Fuel Tank W/O Sender .....	1
6	32128-33	Nut, Whizlock 1/4-20.....	2
11	109-2365	Bumper-Rubber (W/Stud) .....	2

Item	Part No.	Description	Qty.
23	109-9450	Tube, Fuel Vent Drain.....	1
24	109-9491	Asm, Fuel Manifold Vent.....	1
25	105-1853	Clamp, Hose.....	1

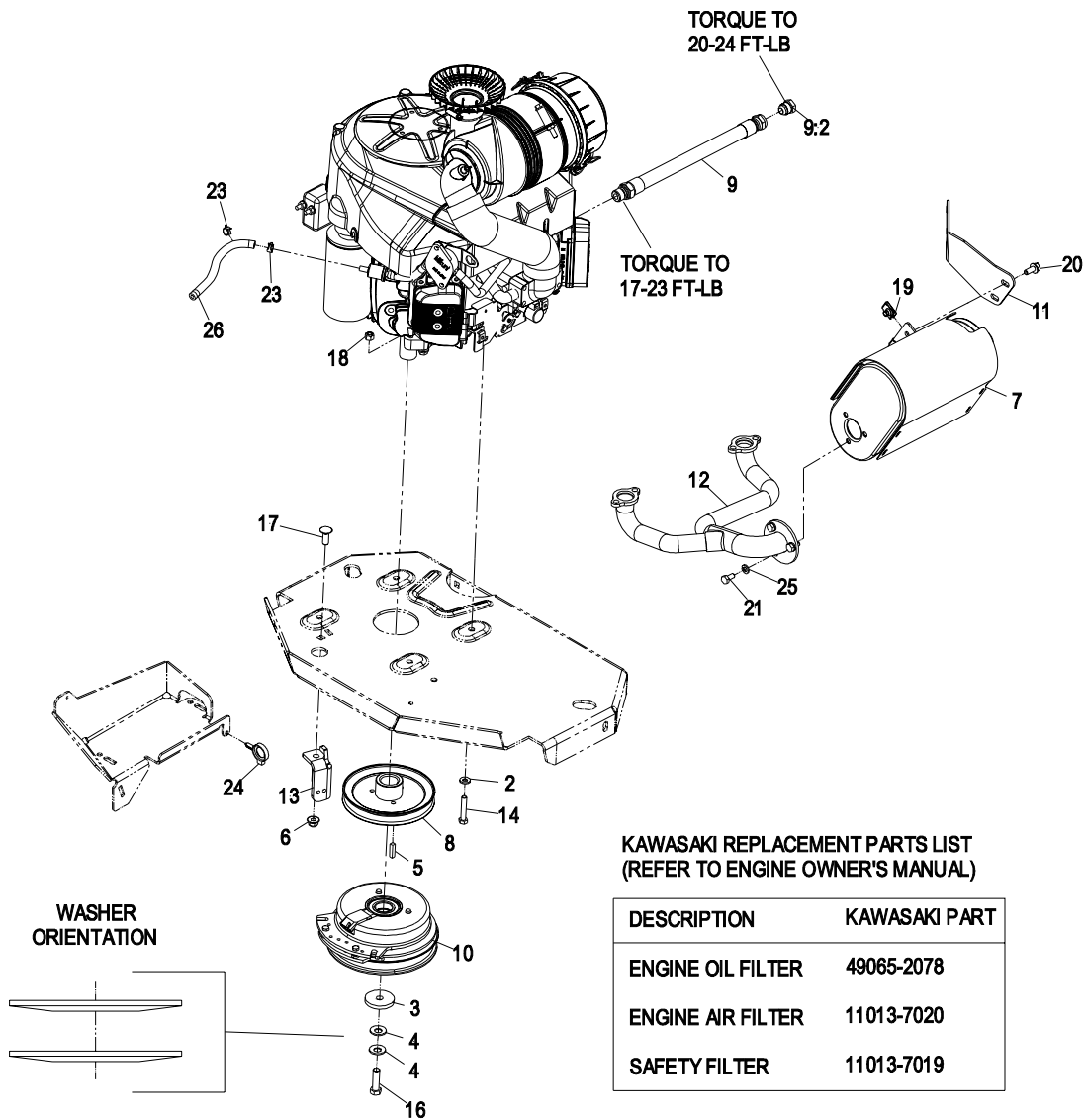
# FUEL TANK ASSEMBLY – 109-9357 & 109-9656



Item	Part No.	Description	Qty.
2	46-6560	Bushing.....	4
3	109-9364	Fitting, Fuel W/Line And Screen .....	1
4	9107944	Screw-Pan .....	5
5	3253-17	Washer, Lock 3/16.....	5
6	116-0003	Sender, Fuel Level W/Gasket & Tube (109-9357 only).....	1
6:1	109-9620	Gasket .....	1
7	109-9619	Cap, Fuel .....	1

Item	Part No.	Description	Qty.
8	109-9447	Tube, RH Vent.....	1
9	109-9448	Tube, LH Vent .....	1
10	109-9449	Tube, Rear Vent .....	1
11	1-603770	Valve, Fuel .....	1
12	2412-98	Clamp, Hose.....	2
13	109-0650	Hose-Fuel.....	1
14	109-9678	Cover, Plastic Fuel Tank (109-9656 only).....	1

# ENGINE GROUP – 23HP KAWASAKI



## KAWASAKI REPLACEMENT PARTS LIST (REFER TO ENGINE OWNER'S MANUAL)

DESCRIPTION	KAWASAKI PART
ENGINE OIL FILTER	49065-2078
ENGINE AIR FILTER	11013-7020
SAFETY FILTER	11013-7019

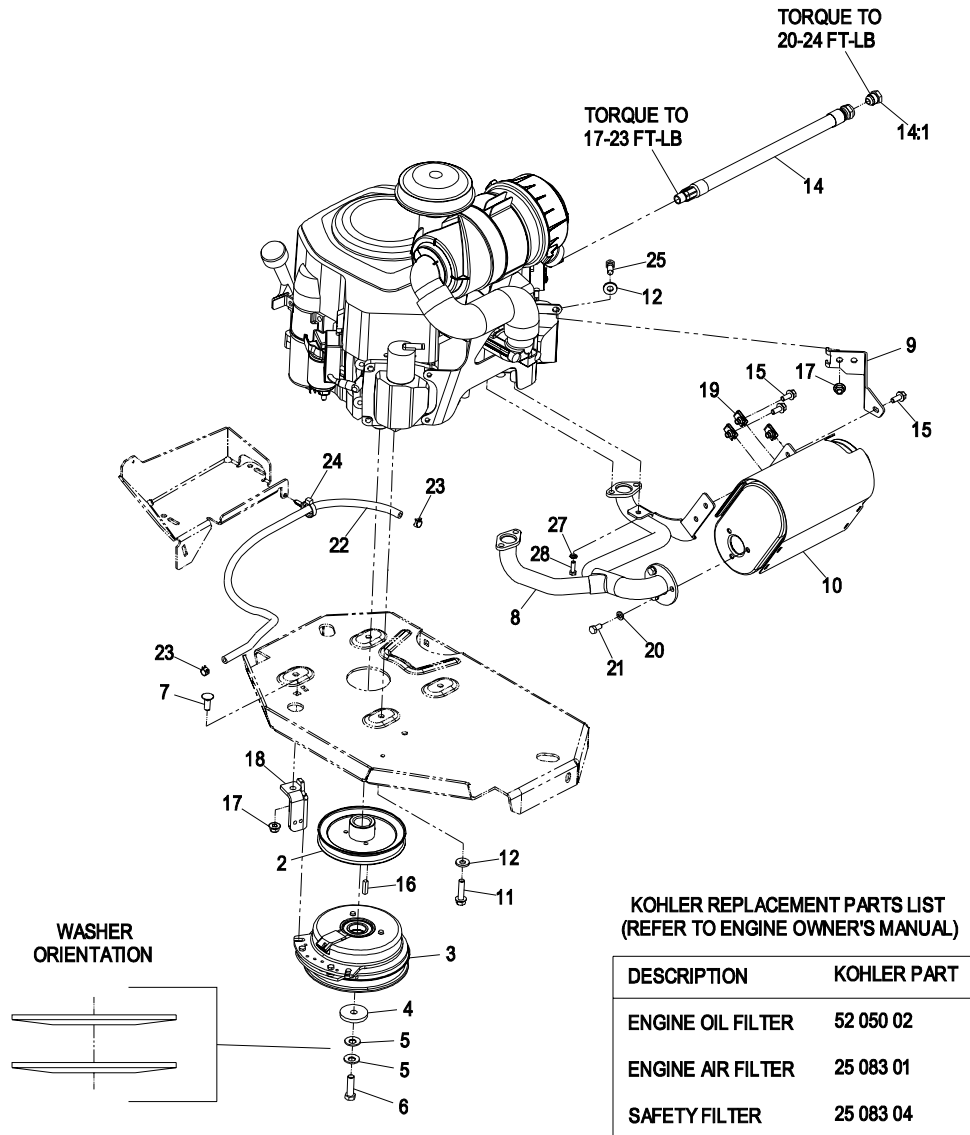
Item	Part No.	Description	Qty.
2	1-303334	Washer, Spring Disc 5/16 .....	4
3	109-6919	Washer, Clutch .....	1
4	1-603610	Washer, Spring Disc 7/16 .....	2
5	1-807259	Key, Machine 1/4 x 1/4 x 1 .....	1
6	104-8301	Nut, Nyloc 3/8-16 Flg .....	1
7	109-9280	Muffler, Small Engine .....	1
8	109-9905	Sheave, W/Hub .....	1
9	109-4490	Asm, Hose Oil Drain W/Plug .....	1
9:2	109-1012	Plug .....	1
10	109-9282	Clutch, CMS-200 W/Spot Brake .....	1
11	109-9254	Bracket, Muffler .....	1
12	109-9251	Manifold, Exhaust .....	1

Item	Part No.	Description	Qty.
13	109-8138-01	Anchor, Clutch .....	1
14	322-9	Screw, HH 5/16-18 x 1 3/4 .....	4
16▲	109-9761	Screw, HH 7/16-20 x 1 1/2 W/Loctite .....	1
17	3231-22	Bolt, Carriage 3/8-16 x 1 .....	1
18	3296-29	Nut, Nyloc 5/16-18 .....	4
19	94-2413	U-Nut 5/16-18 .....	2
20	3234-5	Screw, HH FLG 5/16-18 x 3/4 .....	2
21	322-2	Screw, HH 5/16-18 x 5/8 .....	3
23	2412-98	Clamp, Hose .....	2
24	105-1853	Clamp-Hose, Hydro .....	1
25	3253-4	Washer, Lock 5/16 .....	3
26	109-0296	Hose, Fuel 15" .....	1

Exmark red touch up paint (spray paint – P/N 1-850337 - .6 oz liquid bottle – P/N 103-9140)

▲ Use Pro-Lock, Nut Type (P/N 1-840022, .5ml tube) on clutch bolt.

# ENGINE GROUP – 23-27HP KOHLER



Item	Part No.	Description	Qty.
2	109-9905	Sheave, W/Hub.....	1
3	109-9282	Clutch, CMS-200 W/Spot Brake.....	1
4	109-6919	Washer, Clutch.....	1
5	1-603610	Washer, Spring Disc 7/16.....	2
6▲	109-9761	Screw, HH 7/16-20 x 1 1/2 W/Loctite.....	1
7	3231-22	Bolt, Carriage 3/8-16 x 1.....	1
8	116-0807	Manifold, Exhaust.....	1
9	109-9230	Bracket, Muffler.....	1
10	109-9280	Muffler.....	1
11	32144-102	Screw, HWH 3/8-16 X 1 1/2 Taptite.....	4
12	98-5975	Washer, Spring Disc 3/8.....	5
14+	116-0013	Asm, Oil Drain Hose With Plug.....	1
14:1	109-1012	Plug.....	1

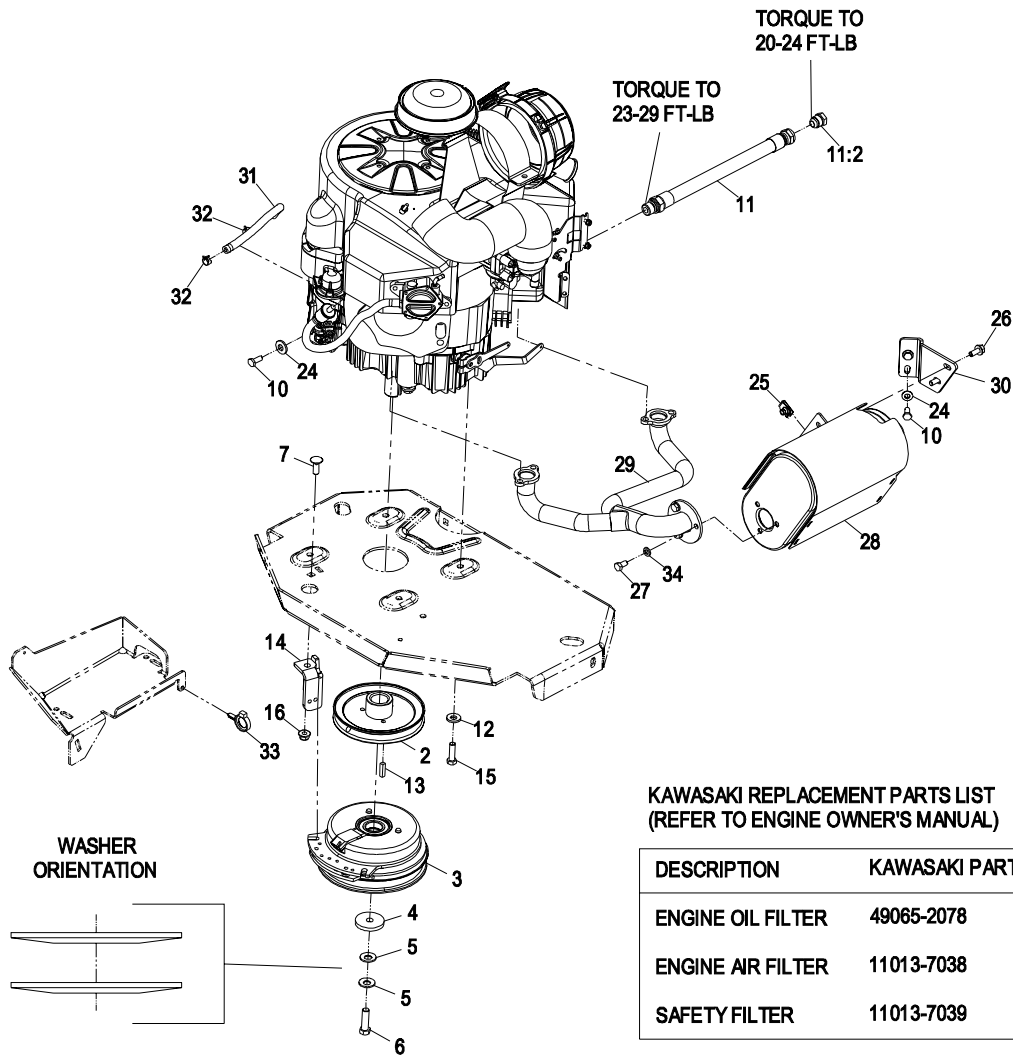
Item	Part No.	Description	Qty.
15	3234-5	Screw, HH FLG 5/16-18 x 3/4.....	3
16	1-807259	Key, Machine 1/4 x 1/4 x 1.....	1
17	104-8301	Nut, Nyloc 3/8-16 Fig.....	2
18	109-8138-01	Anchor, Clutch.....	1
19	94-2413	U-Nut.....	3
20	3253-4	Washer, Lock 5/16.....	3
21	322-2	Screw, HH 5/16-18 x 5/8.....	3
22	109-0286	Hose, Fuel Line 35".....	1
23	2412-98	Clamp, Hose.....	2
24	105-1853	Clamp, Hose.....	1
25	323-5	Screw, HH 3/8-16 X 7/8.....	1
27	1-303435	Washer, Spring Disc 1/4.....	1
28	33113-020	Screw, HH M6-1 x 12mm.....	1

Exmark red touch up paint (spray paint – P/N 1-850337 - .6 oz liquid bottle – P/N 103-9140)

✚ Use Teflon Pipe Sealant or equivalent on threads.

▲ Use Pro-Lock, Nut Type (P/N 1-840022, .5ml tube) on clutch bolt.

# ENGINE GROUP – 29HP KAWASAKI



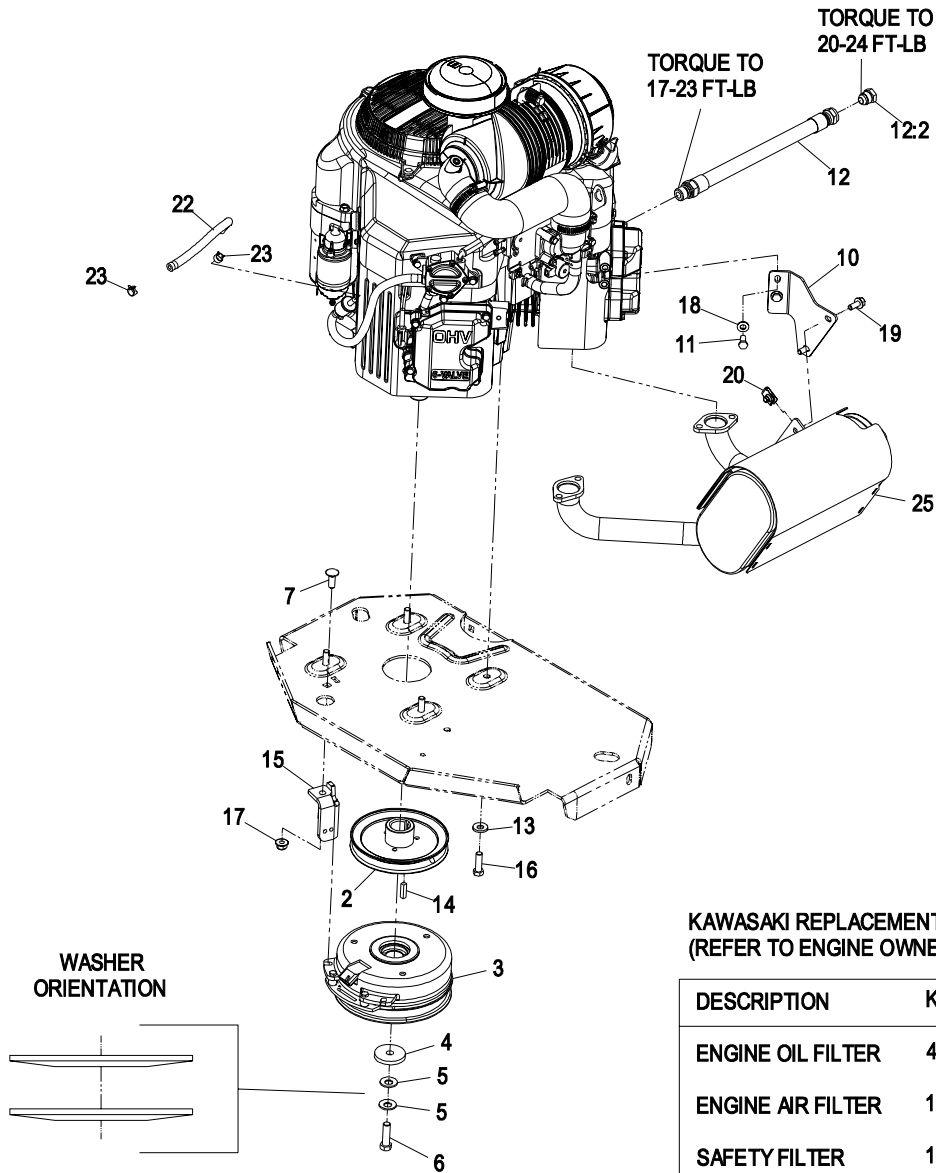
Item	Part No.	Description	Qty.
2	109-9905	Sheave, W/Hub.....	1
3	109-9282	Clutch, CMS-200 W/Spot Brake.....	1
4	109-6919	Washer, Clutch .....	1
5	1-603610	Washer, Spring Disc 7/16 .....	2
6▲	109-9761	Screw, HH 7/16-20 x 1 1/2 W/Loctite .....	1
7	3231-22	Bolt, Carriage 3/8-16 x 1 .....	1
10	33114-020	Screw, HH M8-1.25 x 20mm .....	3
11	109-4490	Asm, Hose-Oil Drain W/Plug.....	1
11:2	109-1012	Plug .....	1
12	98-5975	Washer, Spring Disc 3/8 .....	4
13	1-807259	Key, Machine 1/4 x 1/4 x 1 .....	1
14	109-8138-01	Anchor, Clutch .....	1
15	323-7	Screw, HH 3/8-16 x 1 1/4 .....	4

Item	Part No.	Description	Qty.
16	104-8301	Nut, Nyloc 3/8-16 Flg .....	1
24	1-303334	Washer, Spring Disc 5/16 .....	3
25	94-2413	U-Nut .....	2
26	3234-5	Screw, HH FLG 5/16-18 x 3/4 .....	2
27	322-2	Screw, HH 5/16-18 x 5/8.....	3
28	109-9280	Muffler, Small Engine.....	1
29	109-9250	Manifold, Exhaust .....	1
30	116-0203	Bracket, Muffler .....	1
31	109-0296	Hose, Fuel Line 15" .....	1
32	2412-98	Clamp, Hose.....	2
33	105-1853	Clamp, Hose.....	1
34	3253-4	Washer, Lock 5/16.....	3

Exmark red touch up paint (spray paint – P/N 1-850337 - .6 oz liquid bottle – P/N 103-9140)

▲ Use Pro-Lock, Nut Type (P/N 1-840022, .5ml tube) on clutch bolt.

# ENGINE GROUP – 34HP KAWASAKI



## KAWASAKI REPLACEMENT PARTS LIST (REFER TO ENGINE OWNER'S MANUAL)

DESCRIPTION	KAWASAKI PART
ENGINE OIL FILTER	49065-2078
ENGINE AIR FILTER	11013-7038
SAFETY FILTER	11013-7039

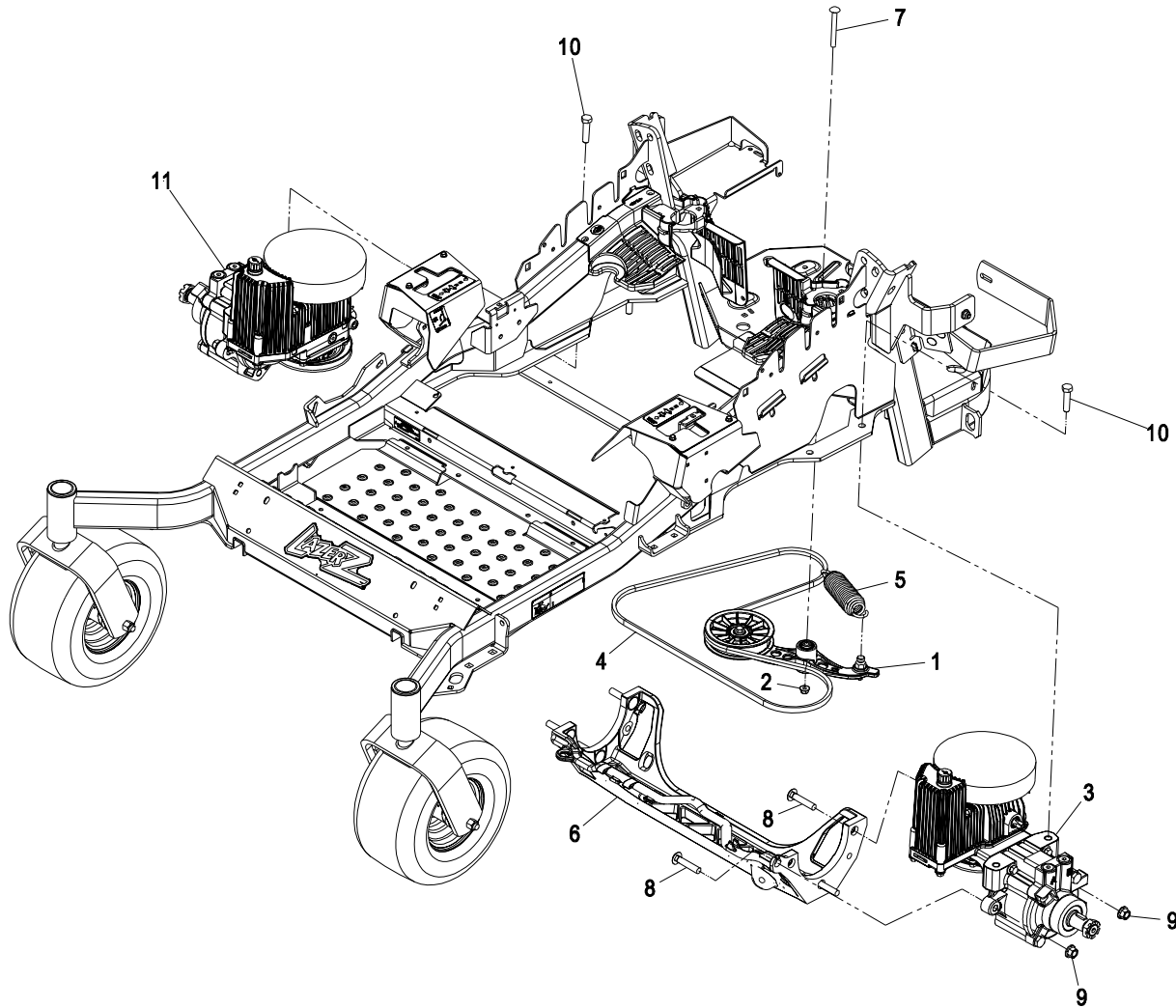
Item	Part No.	Description	Qty.
2	109-9905	Sheave, W/Hub.....	1
3	109-5004	Clutch, CMS-250.....	1
4	109-6919	Washer, Clutch .....	1
5	1-603610	Washer, Spring Disc 7/16 .....	2
6▲	109-9761	Screw, HH 7/16-20 x 1 1/2 W/Loctite .....	1
7	3231-22	Bolt, Carriage 3/8-16 x 1 .....	1
10	109-9217	Bracket, Muffler.....	1
11	33114-020	Screw, HH M8-1.25 x 20mm .....	2
12	109-4490	Asm, Hose-Oil Drain W/Plug.....	1
12:2	109-1012	Plug .....	1
13	98-5975	Washer, Spring Disc 3/8 .....	4

Item	Part No.	Description	Qty.
14	1-807259	Key, Machine 1/4 x 1/4 x 1.....	1
15	109-8138-01	Anchor, Clutch.....	1
16	323-7	Screw, HH 3/8-16 x 1 1/4.....	4
17	104-8301	Nut, Nyloc 3/8-16 Flg.....	1
18	1-303334	Washer, Spring Disc 5/16.....	2
19	3234-5	Screw, HH FLG 5/16-18 x 3/4 .....	2
20	94-2413	U-Nut.....	2
22	109-0296	Hose, Fuel Line 15" .....	1
23	2412-98	Clamp, Hose.....	2
25	109-9879	Muffler .....	1

Exmark red touch up paint (spray paint – P/N 1-850337 - .6 oz liquid bottle – P/N 103-9140)

▲ Use Pro-Lock, Nut Type (P/N 1-840022, .5ml tube) on clutch bolt.

# HYDRAULIC GROUP



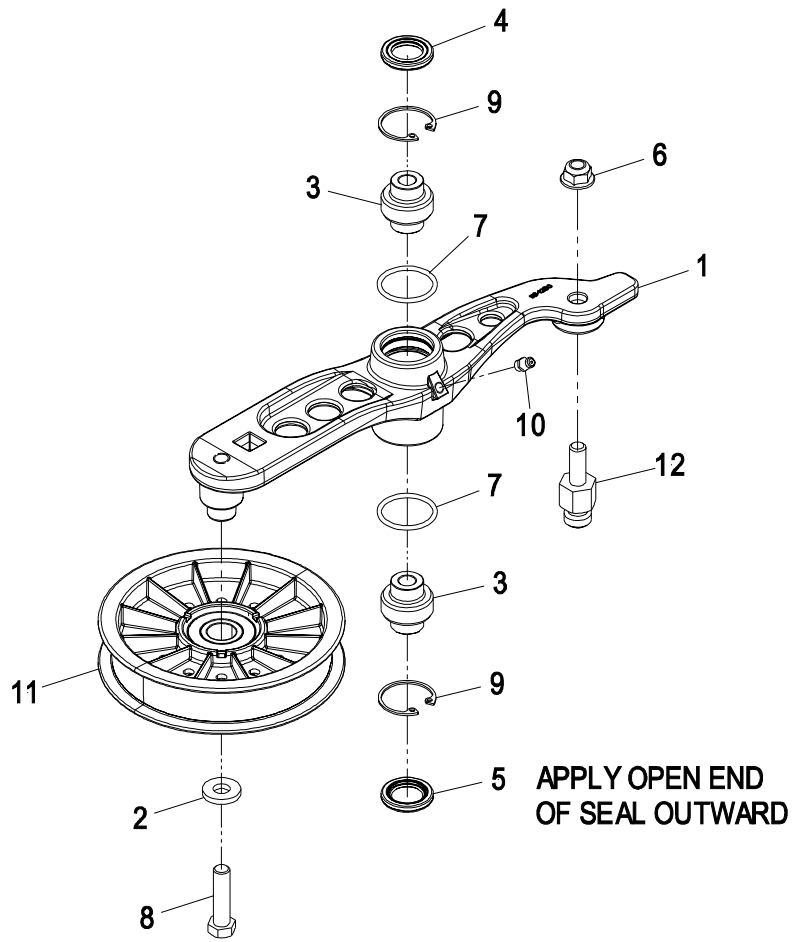
Item	Part No.	Description	Qty.
1	109-2182	Asm, Pump Idler .....	1
2	109-6658	Nut, Nyloc 3/8-16 Flg .....	1
3	116-1322	Hydro, LH 12CC W/Check (48" & 52") .....	1
	116-1326	Hydro, LH 16CC W/Shock (60" & 72") .....	1
4	109-3388	Belt, V .....	1
5	116-0133	Spring, Extension .....	1
6	109-9375	Cradle, Machined Hydro .....	1
7	3231-41	Bolt-Carriage .....	1
8	3233-34	Bolt, Carriage 1/2-13 x 2 1/2 .....	6
9	99-5107	Nut, Lock 1/2-13 .....	6
10	325-8	Screw, HH 1/2-13 x 1 1/4 .....	4

Item	Part No.	Description	Qty.
11	116-1323	Hydro, RH 12CC W/Check (48" & 52") .....	1
	116-1327	Hydro, RH 16CC W/Shock (60" & 72") .....	1
12+	117-0377	Bracket, Anchor Cable .....	2
13+	116-0164	Filter, Hydro .....	2
14+	116-0233	Fan, Hydro .....	2
15+	116-0234	Pulley, Hydro .....	2
16+	116-0235	Handle, Hydro Bypass Valve .....	2
17+	116-0236	Dipstick, Hydro .....	2
18+	116-0237	Gasket, Hydro Dipstick .....	2
19+	109-9828	Oil, Exmark Premium Hydro .....	4

+ Not shown



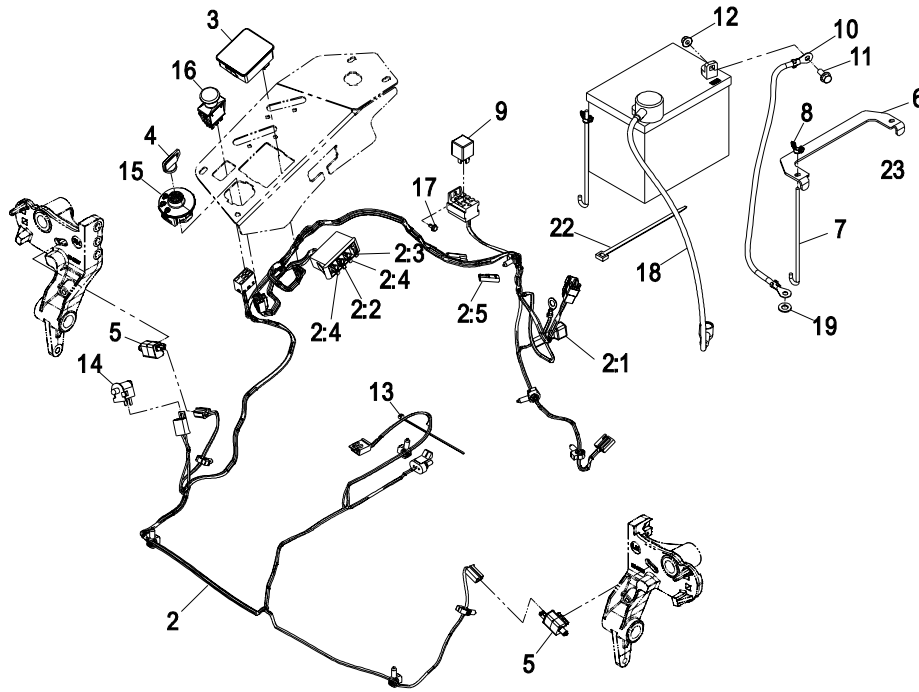
# PUMP IDLER ASSEMBLY – 109-2182



Item	Part No.	Description	Qty.
2	43-0940	Spacer-Hub, Blower .....	1
3	103-3504	Bearing, Spherical.....	2
4	103-3505	Seal, Double Lip.....	1
5	103-3506	Seal, Single Lip.....	1
6	104-8301	Nut, Nyloc 3/8-16 Flg .....	1
7	106-7159	O-Ring .....	2

Item	Part No.	Description	Qty.
8	323-8	Screw, HH 3/8-16 x 1 1/2.....	1
9	32120-10	Ring, Retaining .....	2
10	302-19	Zerk, 1/4-28 Str.....	1
11	109-8076	Pulley, Idler 5" X 1" Nylon .....	1
12	109-7399	Pin, Spring Anchor.....	1

# ELECTRICAL GROUP



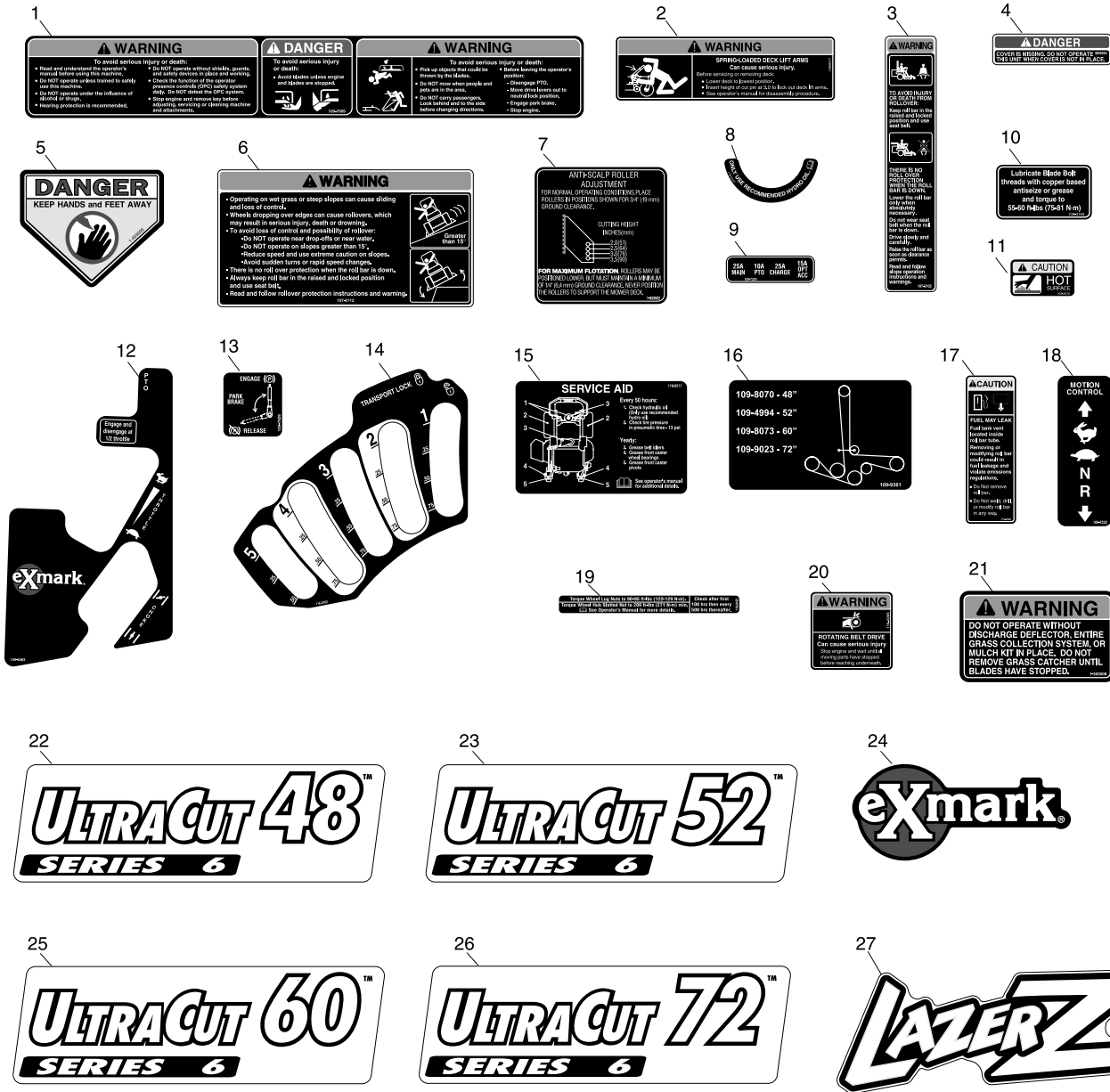
Item	Part No.	Description	Qty.
2▲	115-2796	Harness, Wire, Main .....	1
2:1	103-3895	Diode, TVS .....	1
2:2	218-578	Fuse, 10 Amp .....	1
2:3	109355	Fuse, 15 Amp .....	1
2:4	109102	Fuse, 25 Amp .....	2
2:5	116-0053	Cap, Plug.....	1
3	116-0916	Asm, Fuel/Hour Meter .....	1
4	1-603511	Key, Ignition.....	1
	103-2106	Key, Ignition.....	1
5	110-6765	Switch-Single Pole No.....	2
6	116-0042-03	Strap, Battery Tie Down.....	1
7	1-633651	Bolt-Holddown.....	2
8	1-543792	Wingnut, Nyloc 1/4-20.....	2

Item	Part No.	Description	Qty.
9	1-643275	Relay, 12VDC 40 Amp.....	1
10	114-1218	Cable-Battery, Negative.....	1
11	3234-5	Screw, HH FLG 5/16-18 x 3/4.....	2
12	104-8300	Nut, Nyloc 5/16-18 Flg.....	2
13	1-303287	Tie, Cable 5 1/2 (Small).....	3
14	82-2190	Switch.....	1
15	116-0229	Switch-Ignition .....	1
16	116-0124	Switch, PTO .....	1
17	104-2065	Screw, HWH #10-24 x 3/8 .....	1
18	115-3864	Cable-Battery, Positive .....	1
19	3256-24	Washer, Flat.....	1
22	1-303335	Tie, Plastic.....	1

Exmark black touch up spray paint - gloss black.

▲ Use dielectric grease on all wiring harness connectors.

# DECAL GROUP

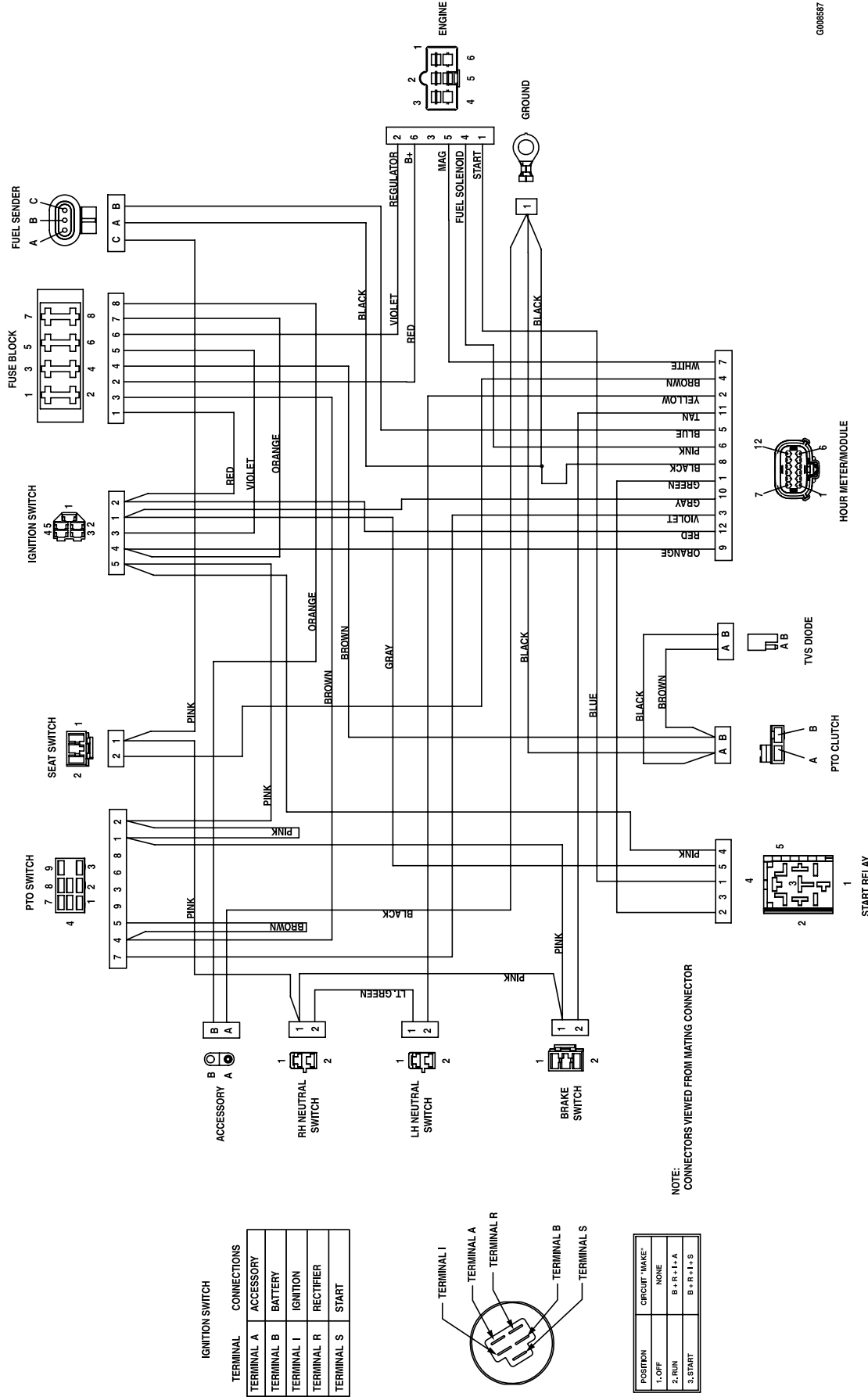


Item	Part No.	Description	Qty.
1	109-7069	Decal, Console .....	1
2	109-9477	Decal, Warning Spring Load .....	2
3	107-2102	Decal, ROPS Folding .....	1
4	98-5954	Decal, Danger .....	2
5	1-403005	Decal, Danger .....	2
6	107-2112	Decal, Warning Slope .....	1
7	1-633922	Decal, Anti-Scalp .....	1
8	116-0157	Decal, Hydro Oil .....	2
9	109-7330	Decal, Fuse .....	1
10	109-3148	Decal, Bolt Torque .....	1
11	103-2076	Decal, Hot Surface .....	3
12	109-8483	Decal, Control Panel .....	1
13	109-7929	Decal, Park Brake .....	1
14	116-0752	Decal, Cut of Height .....	1

Item	Part No.	Description	Qty.
15	116-0211	Decal, Service Aid .....	1
16	109-9361	Decal, Belt Routing .....	1
17	116-0090	Decal, Caution Fuel Vent .....	1
18	109-7232	Decal, Motion Control .....	2
19	116-0165	Decal, Wheel Hub .....	2
20	116-0205	Decal, Belt Drive .....	2
21	1-303508	Decal, Discharge Warning .....	1
22	109-9437	Decal, UltraCut 48 Series 6 .....	1
23	109-9438	Decal, UltraCut 52 Series 6 .....	1
24	103-2883	Decal, Exmark Logo .....	2
25	109-9439	Decal, UltraCut 60 Series 6 .....	1
26	109-9440	Decal, UltraCut 72 Series 6 .....	1
27	103-3113	Decal, Lazer .....	1

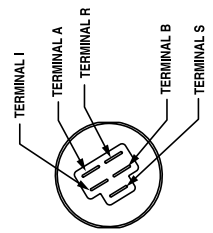
# ELECTRICAL DIAGRAM

GU06897



**IGNITION SWITCH**

TERMINAL	CONNECTIONS
TERMINAL A	ACCESSORY
TERMINAL B	BATTERY
TERMINAL I	IGNITION
TERMINAL R	RECTIFIER
TERMINAL S	START

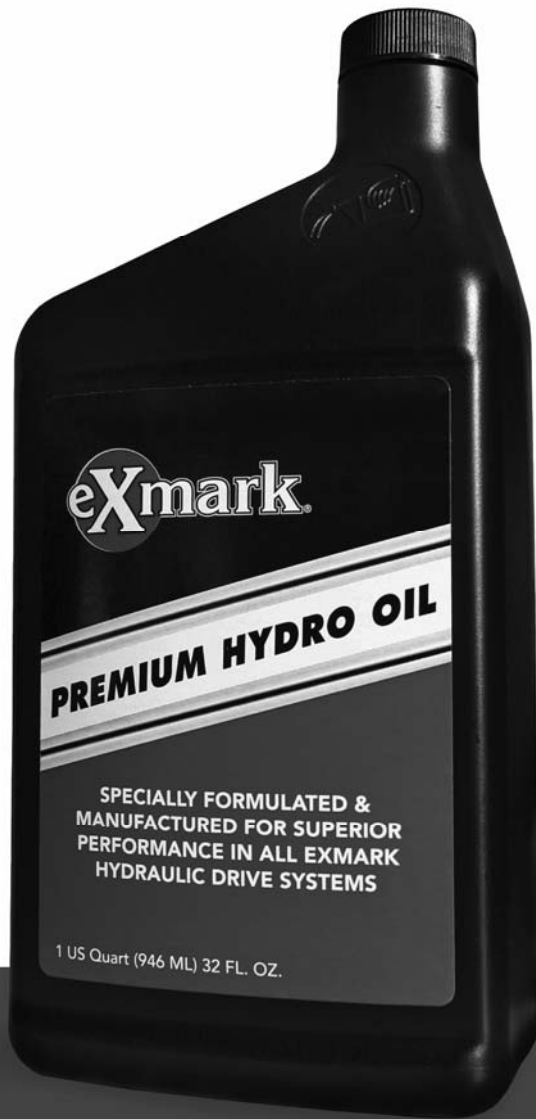


POSITION	CIRCUIT "MAKE"
1. OFF	NONE
2. RUN	B + R + I + A
3. START	B + R + I + S





# NEW EXMARK PREMIUM HYDRO OIL



## BENEFITS

- Designed & manufactured with superior anti-wear protection
- Superior thermal stability
- Consistent hydro performance
- Superior shear resistance under heavy loads
- Field tested & proven performance
- Twice the shear stability of competing oils
- Enhanced control performance
- Specially formulated for any Exmark hydraulic system

**NOW AVAILABLE  
FOR PURCHASE**

Part No. 109-9828



# SEE EXMARK'S COMPLETE LINE OF ACCESSORIES

## MID-MOUNT RIDING ACCESSORIES

CUSTOM RIDE SEAT SUSPENSION SYSTEM  
FULL SUSPENSION SEAT  
DECK LIFT ASSIST KIT  
HITCH KIT  
LIGHT KIT  
12V POWER PORT  
MICRO-MULCH SYSTEM

OPERATOR CONTROLLED DISCHARGE  
ROLL OVER PROTECTION SYSTEM (ROPS)  
SUN SHADE  
TRASH CONTAINER  
TURF STRIPER  
ULTRA VAC COLLECTION SYSTEM  
ULTRA VAC QUICK DISPOSAL SYSTEM

## OUT-FRONT RIDING ACCESSORIES

CUSTOM RIDE SEAT SUSPENSION SYSTEM  
DUAL-TAIL WHEEL  
FLOOR PAN EXTENDER  
HITCH KIT  
LIGHT KIT  
MICRO-MULCH SYSTEM  
ROLL OVER PROTECTION SYSTEM (ROPS)

SNOW BLADE  
SNOWBLOWER  
SUN SHADE  
TRASH CONTAINER  
ULTRA VAC COLLECTION SYSTEM  
ULTRA VAC QUICK DISPOSAL SYSTEM  
WEATHER CAB

## WALK-BEHIND ACCESSORIES

GRASS CATCHER  
MICRO-MULCH SYSTEM

TURF STRIPER  
STANDON

Place Model No. and Serial No.  
Label Here (Included in the Literature  
Pack or Fill in Below)

Model No. \_\_\_\_\_

Serial No. \_\_\_\_\_

Date Purchased \_\_\_\_\_

Engine Model No. and Spec. No. \_\_\_\_\_

Engine Serial No. (E/No) \_\_\_\_\_

© 2009 Exmark Mfg. Co., Inc.  
Industrial Park Box 808  
Beatrice, NE 68310  
All Rights Reserved

Part No. 4500-484 Rev. A  
(402) 223-6300  
Fax (402) 223-5489  
Printed In USA.



[www.exmark.com](http://www.exmark.com)



## Free Manuals Download Website

<http://myh66.com>

<http://usermanuals.us>

<http://www.somanuals.com>

<http://www.4manuals.cc>

<http://www.manual-lib.com>

<http://www.404manual.com>

<http://www.luxmanual.com>

<http://aubethermostatmanual.com>

Golf course search by state

<http://golfingnear.com>

Email search by domain

<http://emailbydomain.com>

Auto manuals search

<http://auto.somanuals.com>

TV manuals search

<http://tv.somanuals.com>