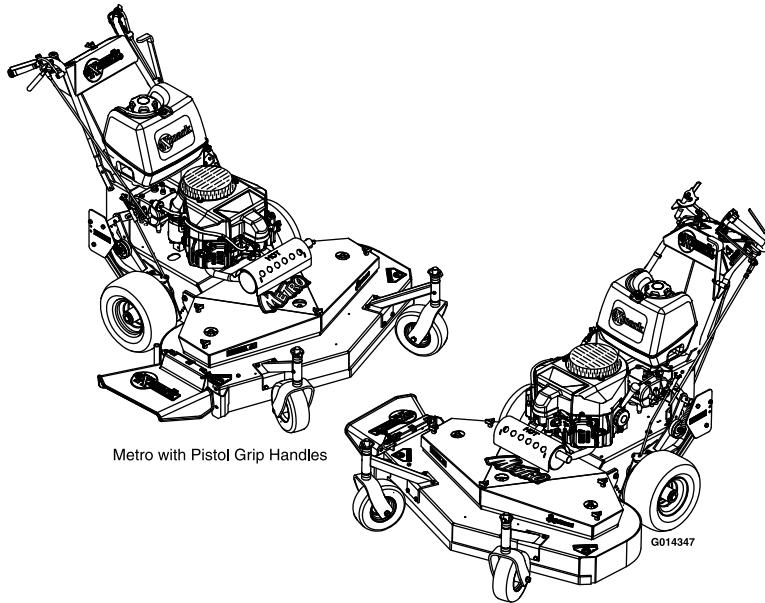




# METRO®

Model No. MG16KA362—Serial No. 920000 and Up



Metro with Pistol Grip Handles

Metro with ECS Handles

# Parts Manual

Part No. 4500-764 Rev. A

# Ordering Replacement Parts

To order replacement parts, please supply the part number, the quantity, and the description of each part desired.

## Understanding Reference Numbers

Each identified part in an illustration has a reference number. The reference number for a part also appears in the parts list, along with other information about the part.

This catalog uses two special reference number formats, one to indicate parts in a service assembly and another to indicate the quantity of a given part in an illustration.

## Service Assembly Reference Numbers

Parts in service assemblies have reference numbers in the form a:b. The a represents the reference number of the entire service assembly and the b represents a sequential number unique to each part within the service assembly.

For example, a wheel assembly might be identified by reference number 6, the tire by 6:1, the valve by 6:2, and the wheel by 6:3. When you order the assembly identified by reference number 6, you receive all parts identified by reference numbers 6:1, 6:2, and 6:3. However, you may also order any part individually. Reference numbers of this type appear in illustration and in parts lists.

## Reference Numbers Indicating Quantity

In an illustration, if a reference number indicates more than one part, the reference number has the form nX y. The n represents the quantity of the part, the X is the multiplication symbol, and the y represents the reference number.

For example, in an illustration, the reference number 2X 37 means that two of the parts identified by reference number 37 are indicated.

# List of Abbreviations

<b>AR:</b> as required	<b>HOC:</b> height-of-cut	<b>RRB:</b> rear roller brush
<b>ASM:</b> assembly	<b>HSBH:</b> hex socket button head	<b>SFH:</b> slotted fillister head
<b>BBC:</b> blade brake control	<b>HSFH:</b> hex socket flat head	<b>SHH:</b> slotted hex head
<b>BHTF:</b> button head thread forming	<b>HSH:</b> hex socket head	<b>SHWH:</b> slotted hex washer head
<b>CARR:</b> carriage	<b>HWH:</b> hex washer head	<b>SPH:</b> slotted pan head
<b>CCW:</b> counter clockwise	<b>HWTF:</b> hex washer head thread forming	<b>SQH:</b> square head
<b>CW:</b> clockwise	<b>HYD:</b> hydraulic	<b>SRH:</b> slotted round head
<b>DEG:</b> degrees	<b>LH:</b> left hand	<b>STD:</b> standard
<b>DPA:</b> Dual Point Adjustment	<b>LP:</b> Liquid Propane	<b>TAP:</b> self tapping
<b>ECM:</b> electronic control module	<b>NI:</b> nylon insert	<b>TTH:</b> torx truss head
<b>EXT:</b> external	<b>NPTF:</b> national pipe thread fine	
<b>FH:</b> flat head	<b>PFH:</b> phillips flat head	
<b>GA:</b> gauge	<b>PPH:</b> phillips pan head	
<b>HD:</b> heavy-duty	<b>PPHTF:</b> phillips pan head thread forming	
<b>HF:</b> hex flange	<b>PRH:</b> phillips round head	
<b>HH:</b> hex head	<b>PTH:</b> phillips truss head	
<b>HHF:</b> hex head flange	<b>PTO:</b> power-take-off	
<b>HHFTF:</b> hex head flange thread forming	<b>RH:</b> right hand	
<b>HJ:</b> hex jam	<b>ROPS:</b> roll-over protection system	
<b>HLH:</b> hex lag head		

# Touch Up Paint

Exmark black touch up spray paint – gloss black.

Exmark red touch up paint (spray paint – P/N 1-850337 - .6 oz liquid bottle – P/N 103-9140).

**EXMARK PARTS PLUS**

***PARTS***

**OVERNIGHT**

**OR *FREE*\***

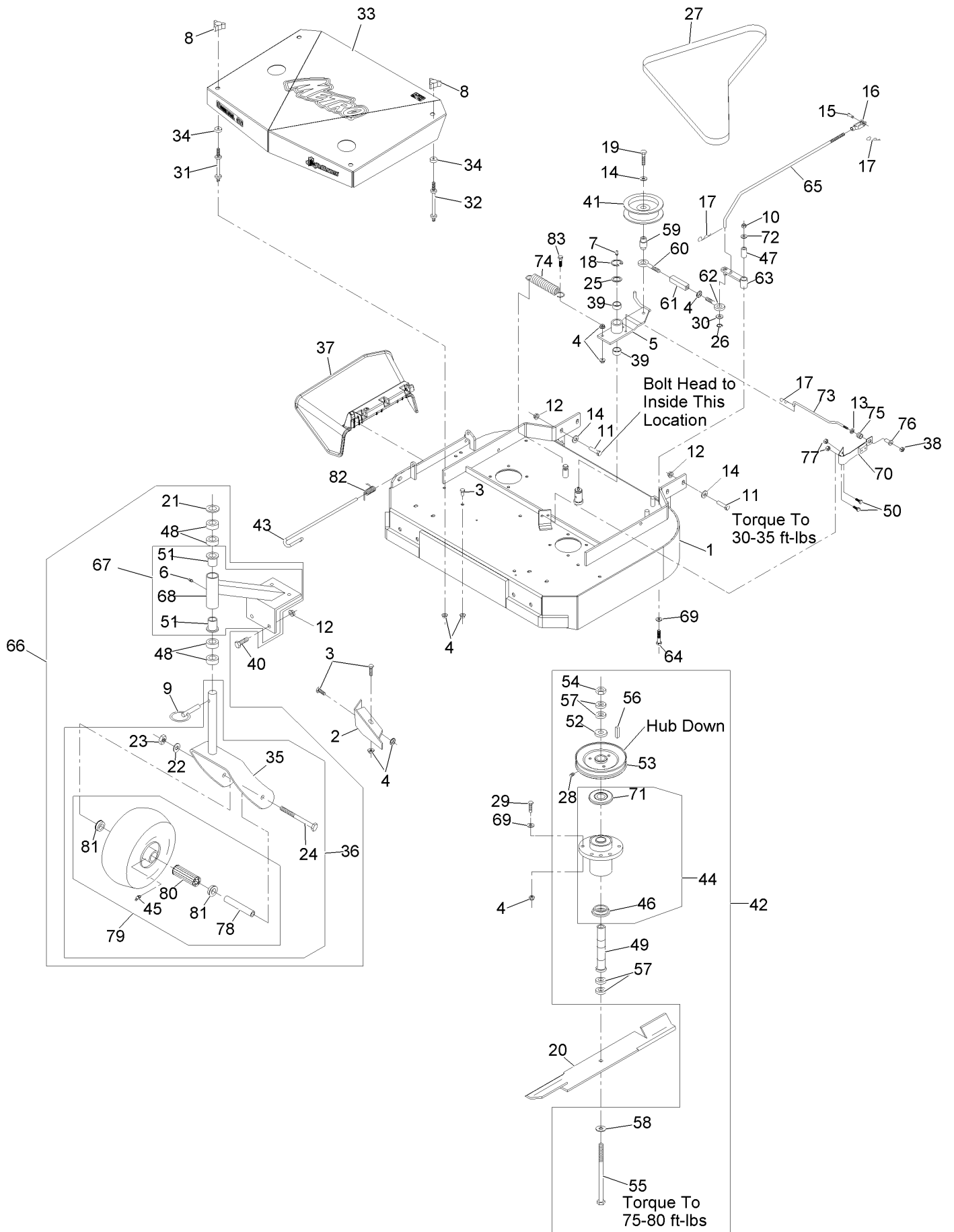
If your Exmark dealer does not have the Exmark part in stock, Exmark will get the parts to the dealer the next business day or the part will be FREE Guaranteed!! (Some restrictions apply. See your participating Exmark Dealer for details.)

# Contents

Mower Deck Assembly .....	6
Engine Deck Assembly .....	8
Engine Deck Assembly (cont.) .....	10
ECS Upper Handle and Controls .....	12
Fuel Tank Assembly .....	14
Decals .....	15



# Mower Deck Assembly



# Mower Deck Assembly (continued)

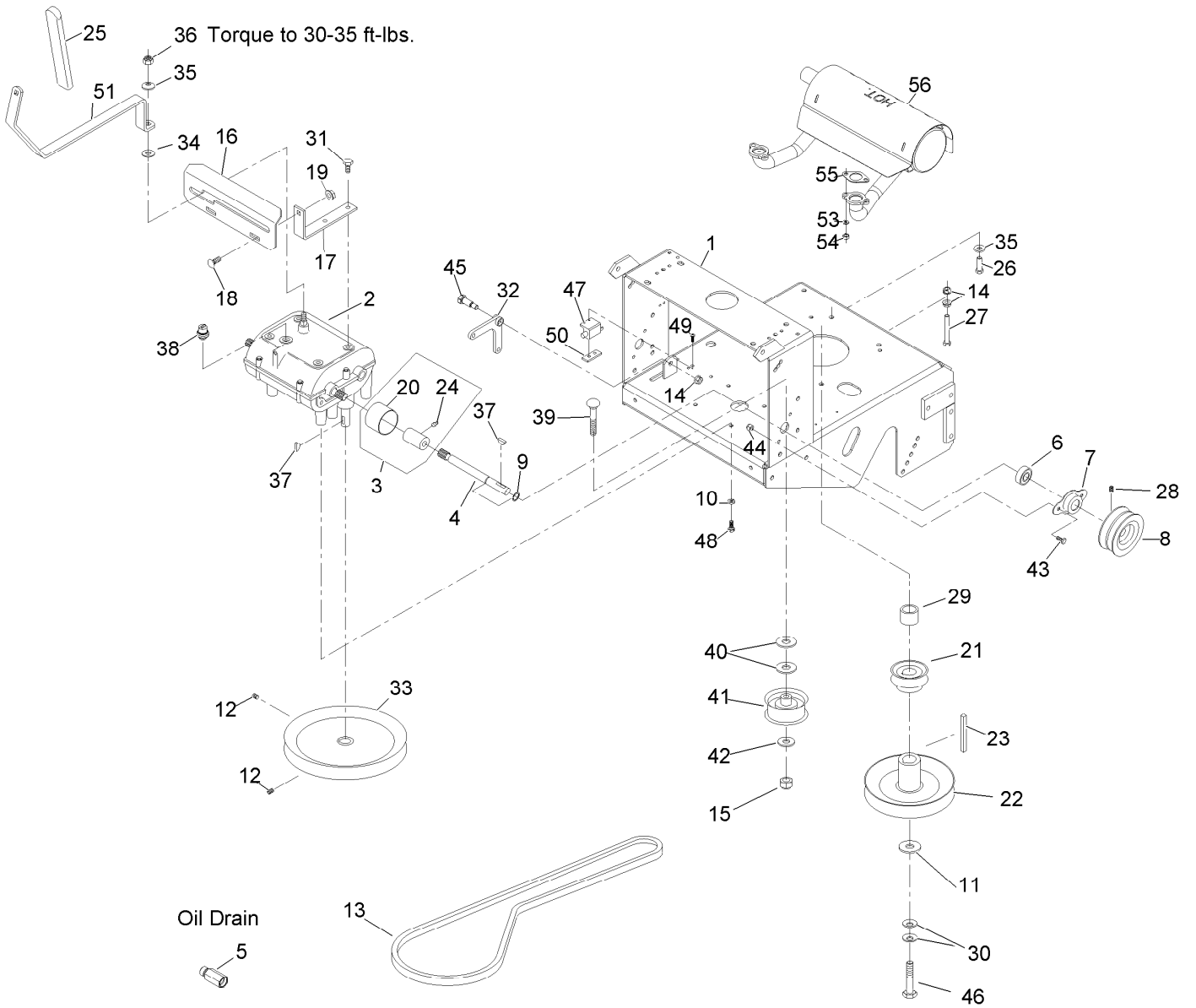
Ref.	Part Number	Qty.	Description	Ref.	Part Number	Qty.	Description
1	103-2312	1	Deck (116-0616-01) W/Decals, Dogleg, & Discharge Deflector	42	103-8387	2	Asm, Cutter Housing Complete
2	1-302189-01	1	Baffle-Dogleg	43	109-8854	1	Pin-Chute
3	322-2	7	Screw-HH 5/16-18 X 5/8	44	103-8280	2	Kit, Cutter Housing ▲
4	32128-20	22	Nut-Whizlock 5/16-18	45	302-61	2	Zerk-45° 1/4-28
5	103-3600	1	Idler Arm ASM	46	103-2535	2	Spacer-Guard Bottom
6	302-52	2	Zerk-1/8-27 Str	47	1-403179	1	Tube-Pivot
7	302-19	1	Zerk-1/4-28 Str	48	1-303314	8	Spacer-Caster
8	1-323385	4	Knob-3 Prong	49	1-323529	2	Tube-Spindle, Short ▲
9	1-809020	2	Pin	50	321-4	2	Screw-HH 1/4-20 X 3/4
10	3296-29	1	Nut-Nyloc 5/16-18	51	1-303514	4	Bearing-Flanged
11	323-8	8	Screw-HH 3/8-16 X 1 1/2	52	1-323339	2	Washer
12	3290-357	16	Nut-Whizlock 3/8-16	53	1-403183	2	Sheave
13	1-323748	1	Ring-Push On	54	3219-6	2	Nut-Hex 5/8-18
14	98-5975	9	Washer-Spring Disc 3/8	55	1-800861	2	Screw-Cap, HH
15	1-808280	1	Pin-Clevis 5/16 X 1 49/64	56	1-807267	2	Key-Machine 1/4 X 3/16 X 1 1/4
16	1-303105	1	Yoke-Adjustable	57	1-323539	8	Spacer-Blade Drive
17	1-806003	3	Hairpin-Cotter	58	1-513208	2	Washer-Spring Disc 5/8
18	32151-103	1	E-Ring	59	1-303434	1	Bushing-Engagement
19	702809	1	Screw-HH	60	1-303348	1	Eyebolt-Thread, LH
20	103-6584	2	Blade, Notched	61	1-303236	1	Body-Turnbuckle
20	103-6582	2	Blade, Mulching ■	62	1-303238	1	Eyebolt-Thread, RH
20	103-6580	2	Blade, Low Lift	63	1-322235	1	Arm-Assist
20	103-1578	2	Blade, Solid	64	322-10	1	Screw-HH 5/16-18 X 2
20	103-6337	2	Blade, Extreme	65	1-323303	1	Linkage-Arm
21	1-513338	2	Washer	66	103-2281	2	Asm, Caster/Mnt Complete, Weighted
22	3253-7	2	Washer-Lock 1/2	67	103-2296	2	Asm, Caster Wheel Support W/Bearings, Weighted
23	3217-9	2	Nut-Hex 1/2-13	68	103-2297-01	2	Wld, Caster Wheel Support, Weighted
24	325-20	2	Screw-HH 1/2-13 X 6	69	1-303334	9	Washer-Spring Disc 5/16
25	1-303352	1	Washer-Spindle	70	1-324372	1	Pad And Spring ASM
26	32120-35	1	E-Ring	71	103-1330	2	Guard-Bearing Top ▲
27	1-323733	1	Drive Belt (To Blades) 36 Model	72	3256-3	1	Washer-5/16 Std
28	1-803310	2	Setscrew-5/16-18 X 3/8 ●	73	1-323715	1	Rod-Brake
29	322-6	9	Screw-HH 5/16-18 X 1 1/4	74	1-323071	1	Spring-Extension
30	3256-23	1	Washer-5/16 Sae	75	1-323747	1	Spring-Compression
31	1-303537	2	Stud-Shield, Belt (Short)	76	1-323746	1	Spacer-Flanged
32	1-303536	2	Stud-Shield, Belt (Long)	77	3296-42	2	Nut-Nyloc 1/4-20
33	116-2706	1	Shield (1-302213-01) W/Decals	78	1-513547	2	Spacer
34	1-323417	4	Washer-Belt Shield	79	103-2171	2	Kit, Tire & Wheel Asm W/ Spacer
35	1-322145-01	2	Fork	80	1-513809	1	Bearing
36	103-1236	2	Asm, Caster Wheel Assembly	81	1-513810	4	Bushing-Flanged
37	109-5151	1	Deflector, Discharge	82	116-0962	1	Spring, Torsion
38	3296-56	1	Nut-Nyloc 1/4-20 Thin	83	116-3515	1	Screw,HH Special 5/16-18 X 1.25
39	1-323729	2	Sleeve-Bearing				
40	323-4	8	Screw-HH 3/8-16 X 3/4				
41	1-603843	1	Pulley-Idler				

● Use Pro-Lock, Nut Type (P/N 1-840022, .5ml tube) on threads.

■ Requires installation of mulch kit for proper mulching. See your Exmark dealer for details.

▲ Apply Mobil HTS grease (P/N 103-5217 1.5 oz packet) (or a food-grade anti-seize). See operator s manual for locations.

# Engine Deck Assembly





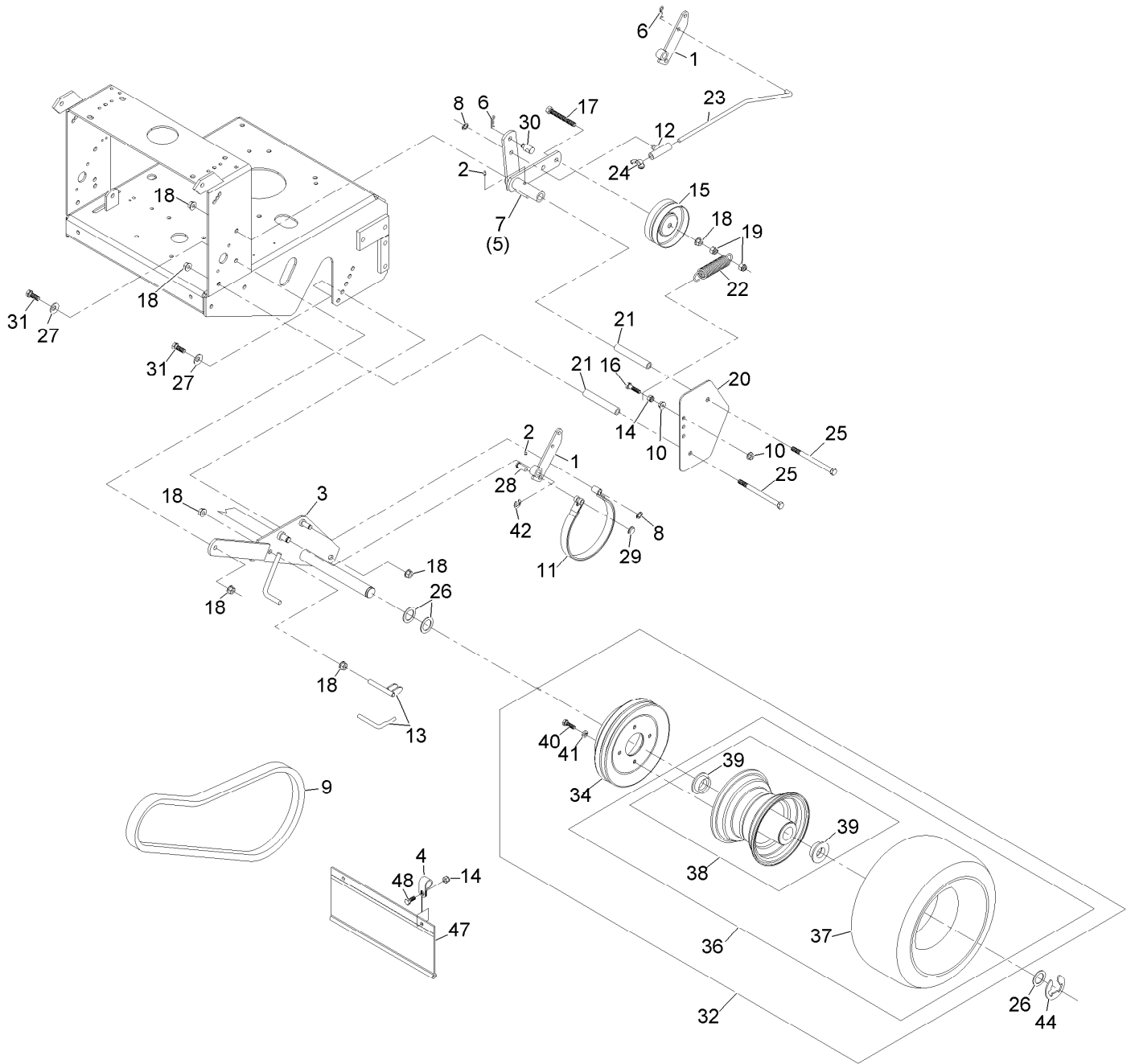
## Engine Deck Assembly (continued)

<i>Ref.</i>	<i>Part Number</i>	<i>Qty.</i>	<i>Description</i>	<i>Ref.</i>	<i>Part Number</i>	<i>Qty.</i>	<i>Description</i>
1	103-3499	1	Rear Deck (117-3521-01) W/Decals	27	323-13	1	Screw-HH 3/8-16 X 2 3/4
2	1-323500	1	Transmission	28	1-803310	2	Setscrew-5/16-18 X 3/8 ■
3	1-324340	2	Asm, Coupling, W/Guard And Zerk	29	1-633453	1	Spacer-Clutch
4	1-323502	2	Shaft-Transmission	30	1-603610	2	Washer-Spring Disc 7/16
5	103-2587	1	Adapter	31	9264964	4	Bolt-HWH 5/16-18 X 3/4 Tap
6	1-323252	2	Bearing-Shaft ●	32	1-303186	1	Bellcrank
7	1-323254	2	Flange-Output	33	1-323278	1	Sheave-Transmission ●
8	103-6511	2	Sheave-Transmission ●	34	1-323379	1	Washer
9	32151-62	2	Ring-Retaining	35	98-5975	5	Washer-Spring Disc 3/8
10	1-805005	4	Washer-Lock 5/16 Heavy	36	3296-6	1	Nut-Nyloc 3/8-24
11	1-373034	1	Washer	37	3257-5	3	Key-Woodruff #9 3/4 X 3/16
12	3245-41	2	Setscrew-1/4-20 X 3/8 ■	38	1-303282	1	Switch-Start, Neutral
13	1-323280	1	Belt, Transmission	39	3231-6	1	Bolt-Carriage 3/8-16 X 2
14	3290-357	3	Nut-Whizlock 3/8-16	40	3256-5	2	Washer-7/16 Std
15	3296-39	1	Nut-Nyloc 3/8-16	41	1-323285	1	Pulley-Idler, Flat
16	103-3498	1	Shifter Plate (1-323387-03) W/Decals	42	3256-24	1	Washer-3/8 Sae
17	1-323389-03	2	Bracket-Plate, Shift	43	321-3	4	Screw-HH 1/4-20 X 5/8
18	3230-1	2	Bolt-Carriage 5/16-18 X 3/4	44	3296-42	4	Nut-Nyloc 1/4-20
19	32128-20	2	Nut-Whizlock 5/16-18	45	1-603403	1	Bolt-Shoulder
20	51-4220	2	Guard-Coupler	46	116-3702	1	Screw, HH 7/16-20 X 1 1/4 ■
21	103-1666	1	Sheave-Transmission ●	47	1-513051	1	Switch-N.O.
22	103-1668	1	Sheave ●	48	322-3	4	Screw-HH 5/16-18 X 3/4
23	103-4177	1	Key	49	3290-500	2	Screw-PPH #10-24 X 5/8
24	302-19	2	Zerk-1/4-28 Str	50	1-633181	1	Plate-Tapped
25	103-1733	1	Grip	51	103-1606	1	Asm Shift Lever, W/Grip
26	323-7	4	Screw-HH 3/8-16 X 1 1/4	53	114-3550	4	Washer-Lock, Spring
				54	114-3549	4	Nut-M8
				55	1-653313	2	Gasket-Exhaust
				56	116-4396	1	Muffler

● Apply anti-seize compound in bore.

■ Use Pro-Lock, Nut Type (P/N 1-840022, .5ml tube) on threads.

# Engine Deck Assembly (cont.)

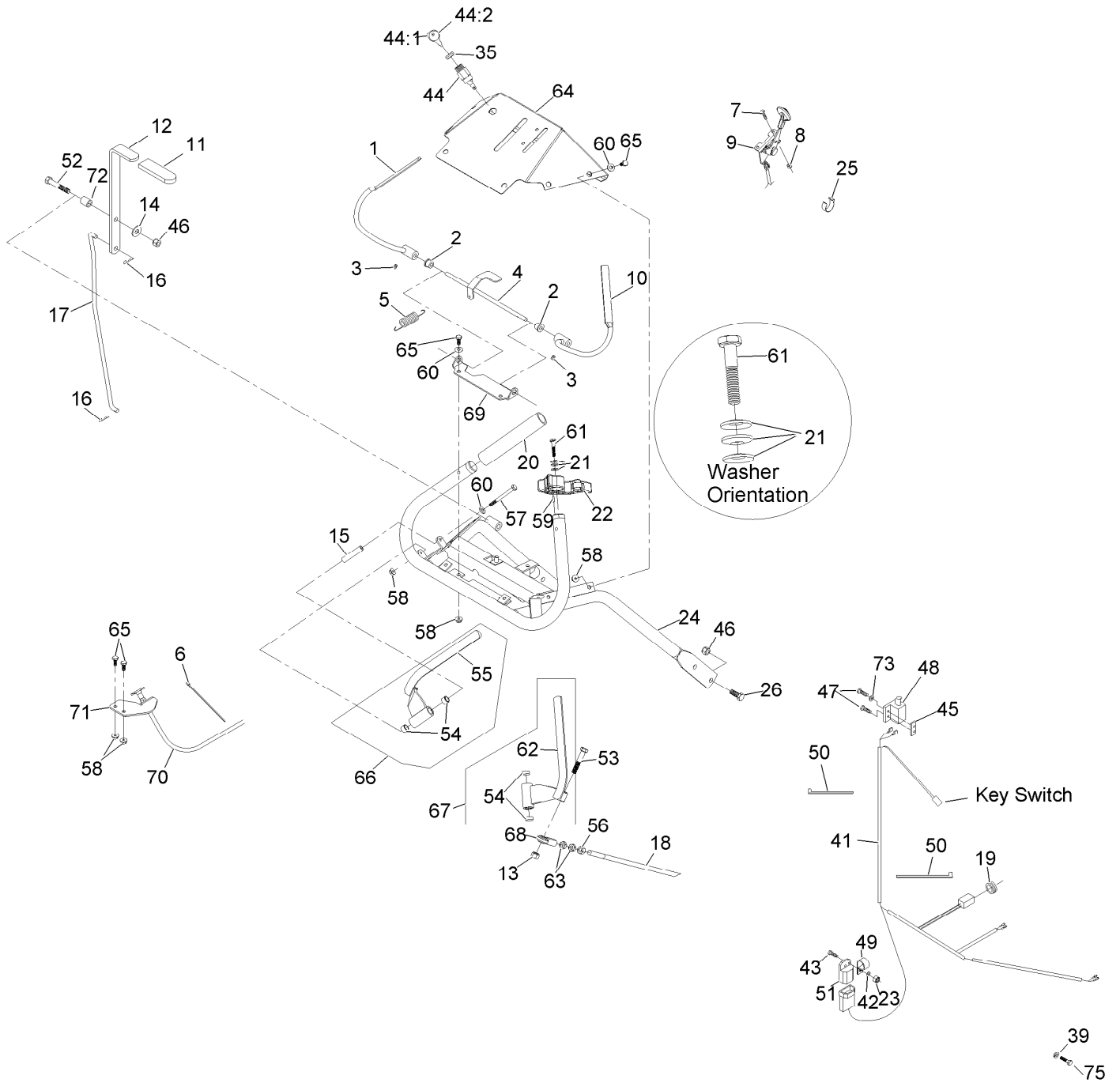


## Engine Deck Assembly (cont.) (continued)

<i>Ref.</i>	<i>Part Number</i>	<i>Qty.</i>	<i>Description</i>	<i>Ref.</i>	<i>Part Number</i>	<i>Qty.</i>	<i>Description</i>
1	103-1611-03	2	Arm-Brake	23	103-1620	1	Linkage, Brake (RH)
2	302-19	4	Zerk-1/4-28 Str	24	1-513959	2	Wingnut-Nyloc 5/16
3	1-322117-03	1	Axle	25	323-39	4	Screw-HH 3/8-16 X 5
4	2412-104	2	Clamp-R	26	1-523157	1	Washer ●
5	103-1615-03	1	Arm-Idler, LH	26	1-543436	1	Washer-Spacer ●
6	1-806003	4	Hairpin-Cotter	27	98-5975	4	Washer-Spring Disc 3/8
7	103-1616-03	1	Arm-Idler, RH	28	1-323307	2	Pin-Clevis 1/2 X 1
8	32151-47	4	Ring-Retaining	29	1-803051	2	Nut-Push 3/8
9	1-323288	2	Belt, Wheel Drive (36?&48? Models)	30	103-1618	2	Swivel, Short Adjust
10	32128-20	4	Nut-Whizlock 5/16-18	31	323-6	4	Screw-HH 3/8-16 X 1
11	1-323262	2	Band-Brake	32	109-4721	2	Asm, Wheel Drive (36?&48? Models)
12	110-5866	2	Swivel-Brake	34	109-4359	2	Drum And Sheave ASM
13	1-412358	2	Scraper	36	1-323719	2	Wheel And Tire ASM
14	3296-29	4	Nut-Nyloc 5/16-18	37	1-323720	1	Tire-Turfmaster
15	1-323277	2	Idler-Wheel, Drive	38	1-323328	1	Wheel And Hub ASM
16	322-6	2	Screw-HH 5/16-18 X 1 1/4	39	1-323329	4	Bearing-Flanged
17	99-8664	2	Bolt-HH 3/8-16 X 3 Tap	40	322-5	8	Screw-HH 5/16-18 X 1
18	3290-357	14	Nut-Whizlock 3/8-16	41	1-805005	8	Washer-Lock 5/16 Heavy
19	3296-39	4	Nut-Nyloc 3/8-16	42	32120-47	2	Ring-Retaining
20	1-323287-01	2	Shield-Wheel, Drive	44	1-808519	2	Ring-Snap
21	1-323283	4	Spacer-Shield	47	98-3259	1	Shield-Trailing
22	1-603402	2	Spring-Extension	48	322-3	2	Screw-HH 5/16-18 X 3/4
23	103-1619	1	Linkage, Brake (LH)				

● QTY As Required

# ECS Upper Handle and Controls



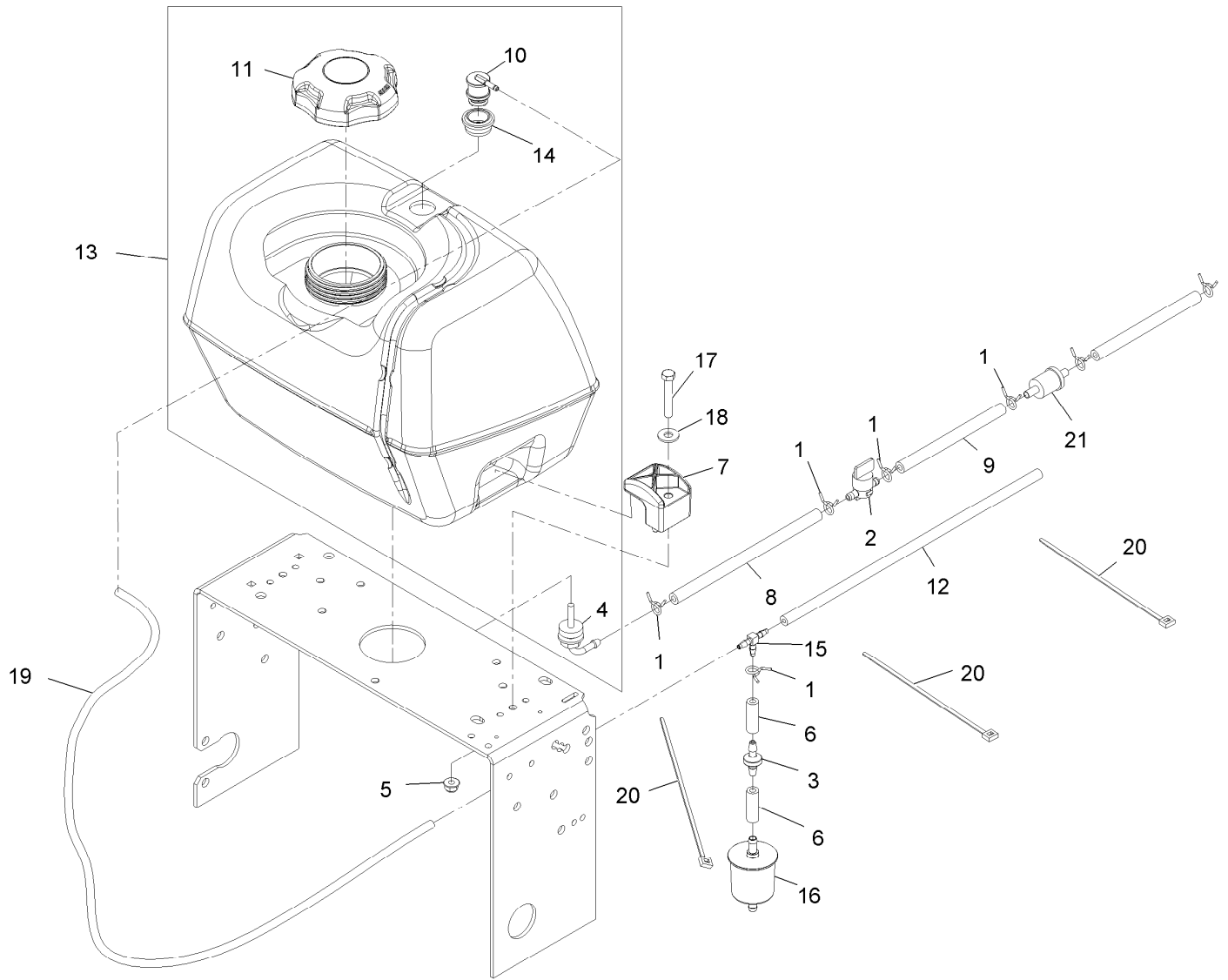
# ECS Upper Handle and Controls (continued)

<i>Ref.</i>	<i>Part Number</i>	<i>Qty.</i>	<i>Description</i>	<i>Ref.</i>	<i>Part Number</i>	<i>Qty.</i>	<i>Description</i>
1	116-4079	1	Wld, Lever, Opc (LH) ▲	44:1	1-603511	1	Key-Ignition
2	1-303365	2	Bushing-Nylon	44:2	103-2106	1	Key-Exmark Logo
3	1-803322	2	Setscrew-5/16-24 X 5/16 ■	45	1-633181	1	Plate-Tapped
4	103-0769-03	1	Wld, Opc Axle Lever	46	3296-39	5	Nut-Nyloc 3/8-16
5	1-303363	1	Spring-Extension	47	3290-500	2	Screw-PPH #10-24 X 5/8
6	1-303335	1	Tie-Cable 7 15/16 (Large)	48	1-513051	1	Switch-N.O.
7	1-807513	2	Bolt-Carriage #10-24 X 1/2	49	1-323229	1	Clip-Loom 3/8
8	3296-2	2	Nut-Nyloc #10-24	50	1-303287	6	Tie-Cable 5 1/2 (Small)
9	116-2426	1	Cable, Throttle	51	1-323430	1	Module-Interlock
10	116-4080	1	Wld, Opc Lever (RH) ▲	52	323-14	1	Screw-HH 3/8-16 X 3
11	1-303020	1	Grip-Lever	53	322-9	2	Screw-HH 5/16-18 X 1 3/4
12	103-1629	1	Lever, Clutch W/Grip	54	1-413152	4	Bushing-Sleeve
13	3296-29	2	Nut-Nyloc 5/16-18	55	116-4081	1	Lever, Drive LH
14	3256-4	1	Washer-3/8 Std	56	3219-3	2	Nut-Hex 3/8-24
15	103-0027	2	Bushing-Lever, Drive	57	321-14	2	Screw-HH 1/4-20 X 2 3/4
16	1-806003	2	Hairpin-Cotter	58	32128-33	12	Nut-Whizlock 1/4-20
17	103-1627	1	Linkage, Upper	59	103-0464	2	Pin-Spring 1/8 X 1/2
18	103-1604	2	Linkage, Wheel Drive	60	3256-22	10	Washer-1/4 Sae
19	1-543296	1	Grommet	61	103-0235	2	Screw-HH 1/4-20 X 1 1/8 W/Nylon ■
20	103-0815	2	Grip-Bar, Handle	62	116-4082	1	Lever, Drive RH
21	1-303435	6	Washer-Spring Disc 1/4	63	3220-3	4	Nut-Jam 3/8-24
22	103-1631	1	Latch, Thumb (LH) (Not Shown) ●	64	109-4934	1	Asm, Console (109-4649-03) W/Decals
22	103-1630	1	Latch, Thumb (RH)	65	321-3	10	Screw-HH 1/4-20 X 5/8
23	3296-42	1	Nut-Nyloc 1/4-20	66	103-2513	1	Asm, Drive Lever RH
24	103-0770-03	1	Wld, Handle	67	103-2514	1	Asm, Drive Lever LH
25	1-303088	1	Clip-Cable	68	103-2463	2	Balljoint
26	323-6	4	Screw-HH 3/8-16 X 1	69	103-0489-03	1	Bracket, Opc Axle
35	103-0498	1	Nut-Ignition	70	103-1796	1	Cable-Choke
39	33094-00	1	Washer	71	103-1797-01	1	Bracket-Cable, Choke
41	116-2661	1	Harness-Wire	72	1-633080	1	Spacer
42	3256-22	1	Washer-1/4 Sae	73	3256-14	1	Washer-#10 Std
43	321-4	1	Screw-HH 1/4-20 X 3/4	75	33114-016	1	Screw-HH M8-1.25 X 16Mm
44	1-403121	1	Switch-Key				

● Not illustrated

■ Use Pro-Lock, Nut Type (P/N 1-840022, .5ml tube) on threads.

▲ Use Pro-Lock retaining type, Part no. 1-840023 (.5cc tube) on inside of bore of OPC hub.



## Fuel Tank Assembly

Ref.	Part Number	Qty.	Description
1	2412-98	5	Clamp-Hose
2	1-603770	1	Valve-Fuel
3	99-5000	1	Valve-Check, Fuel
4	103-2605	1	Fitting-Fuel Bulkhead W/Strainer ▲
5	104-8300	2	Nut-Nyloc 5/16-18 Flg
6	106-9492	2	Hose-Fuel
7	107-4543	2	Clamp
8	109-0650	1	Hose-Fuel
9	99-9415	1	Hose-Fuel
10	114-0285	1	Valve-Rollover
11	115-4465	1	Cap-Fuel, Ratcheting

Ref.	Part Number	Qty.	Description
12	115-7872	1	Hose-Fuel
13	116-3656	1	Asm-Fuel Tank
14	119-6549	1	Grommet-Valve, Roll Over
15	120-2234	1	Fitting-Tee
16	120-2235	1	Filter-Air
17	322-10	2	Screw-HH 5/16-18 X 2
18	3256-3	2	Washer-5/16 Std
19	116-4346	1	Hose,Emissions
20	1-303335	3	Tie-Cable 7 15/16 (Large)
21		1	Pn 41019-1055 Filter W/6In Fuel Line ■●

● Not serviced separately

▲ Use Pro-Lock, Nut Type (P/N 1-840022, .5ml tube) on threads.

■ Obtain parts from [www.kawpowerepc.com](http://www.kawpowerepc.com)



## Decals

Ref.	Part Number	Qty.	Description	Ref.	Part Number	Qty.	Description
1	103-1623	1	Decal, Console	16	103-2920	1	Decal, Metro Model
2	103-1798	1	Decal, Throttle	17	1-303508	1	Decal-Warning, Discharge
3	103-2882	1	Decal, Exmark Logo	18	1-403005	1	Decal-Danger
4	117-2718	1	Decal-Arrester, Spark	19	1-303517	1	Decal,Belt Drive
5	103-2076	1	Decal-Caution	20	1-403143	1	Decal, Sulky Warning
6	1-323427	1	Decal, Belt Routing	21	103-2245	1	Decal, Ecs Instruction (RH)
9	1-323411	1	Decal, Commercial 36	22	103-2244	1	Decal, Ecs Instruction (LH)
11	98-5954	1	Decal-Cover, Missing	23	116-4769	1	Decal-Emissions Filter
13	1-303518	1	Decal, Shifter	99	103-2640	1	Decal, Kit ●
15	1-303520	1	Decal, Trivantage				

● Not illustrated

# Notes:



# Notes:

# Notes:

## MAXIMIZE THE PERFORMANCE OF YOUR EXMARK.

### 4-CYCLE PREMIUM ENGINE OIL

Part No. 116-3373

Both SAE 30 and SAE 10W-30 in one bottle.

Contains increased levels of zinc and phosphorus for better lubricity.

No Viscosity Index Improvers that tend to shear down in high heat.

Synthetic formulation.

Gas & Diesel compatible.

Anti-corrosion additives.

API 'SL' and JASO rated with wet clutch compatibility for other machines.

### PREMIUM HYDRO OIL

Part No. 109-9828

Commercial quality for tough, high-heat conditions.

Designed specifically for zero-turn mower hydraulic systems.

Superior shear resistance under heavy loads.



Available from your local Exmark dealer. Find your closest dealer at [exmark.com](http://exmark.com)

## SEE EXMARK'S COMPLETE LINE OF ACCESSORIES AND OPTIONS

### MID-MOUNT RIDING ACCESSORIES AND OPTIONS

CUSTOM RIDE SEAT SUSPENSION SYSTEM	OPERATOR CONTROLLED DISCHARGE
FULL SUSPENSION SEAT	ROLL OVER PROTECTION SYSTEM (ROPS)
DECK LIFT ASSIST KIT	SUN SHADE
HITCH KIT	TRASH CONTAINER
LIGHT KIT	TURF STRIPER
12V POWER PORT	ULTRA VAC COLLECTION SYSTEM
MICRO-MULCH SYSTEM	ULTRA VAC QUICK DISPOSAL SYSTEM

### OUT-FRONT RIDING ACCESSORIES AND OPTIONS

CUSTOM RIDE SEAT SUSPENSION SYSTEM	SNOW BLADE
DUAL-TAIL WHEEL	SNOWBLOWER
FLOOR PAN EXTENDER	SUN SHADE
HITCH KIT	TRASH CONTAINER
LIGHT KIT	ULTRA VAC COLLECTION SYSTEM
MICRO-MULCH SYSTEM	ULTRA VAC QUICK DISPOSAL SYSTEM
ROLL OVER PROTECTION SYSTEM (ROPS)	WEATHER CAB

### WALK-BEHIND ACCESSORIES AND OPTIONS

GRASS CATCHER	TURF STRIPER
MICRO-MULCH SYSTEM	STANDON

Place Model No. and Serial No.  
Label Here (Included in the Literature  
Pack) or Fill in Below

Model No. \_\_\_\_\_

Serial No. \_\_\_\_\_

Date Purchased \_\_\_\_\_

Engine Model No. and Spec. No. \_\_\_\_\_

Engine Serial No. (E/No) \_\_\_\_\_

© 2010 Exmark Mfg. Co., Inc.  
Industrial Park Box 808  
Beatrice, NE 68310  
All Rights Reserved

Part No. 4500-764 Rev. A  
(402) 223-6300  
Fax (402) 223-5489  
Printed in the USA.



[www.exmark.com](http://www.exmark.com)

## Free Manuals Download Website

<http://myh66.com>

<http://usermanuals.us>

<http://www.somanuals.com>

<http://www.4manuals.cc>

<http://www.manual-lib.com>

<http://www.404manual.com>

<http://www.luxmanual.com>

<http://aubethermostatmanual.com>

Golf course search by state

<http://golfingnear.com>

Email search by domain

<http://emailbydomain.com>

Auto manuals search

<http://auto.somanuals.com>

TV manuals search

<http://tv.somanuals.com>