

# **LAZER Z<sup>®</sup> MODELS ADVANTAGE SERIES MODELS**

**For Serial Nos.  
850,000 & Higher  
Lazer Z (LZA Units)**  
Part No. 4500-567 Rev. D

# **Parts Manual**

**EXMARK PARTS PLUS**

***PARTS***

**OVERNIGHT**  
**OR *FREE*\***

If your Exmark dealer does not have the Exmark part in stock, Exmark will get the parts to the dealer the next business day or the part will be FREE Guaranteed!! (Some restrictions apply. See your participating Exmark Dealer for details.)

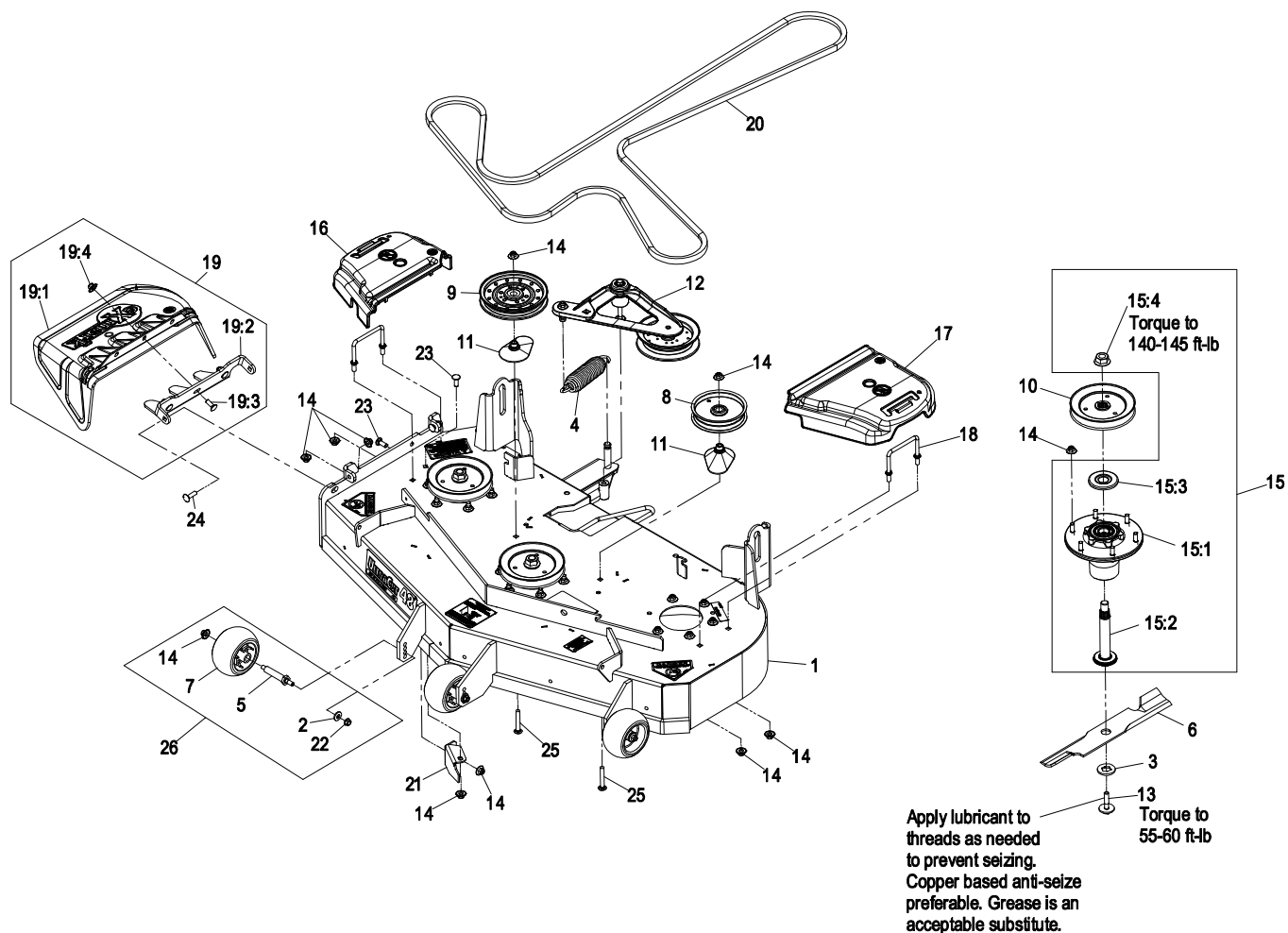


**READ OPERATOR'S MANUAL BEFORE  
OPERATING OR SERVICING EXMARK EQUIPMENT.**

## **TABLE OF CONTENTS**

| <b><u>Description</u></b>       | <b><u>Page</u></b> |
|---------------------------------|--------------------|
| Brake Handle Assembly .....     | 18                 |
| Caster Wheel Assembly .....     | 12                 |
| Controls Group .....            | 15                 |
| Decal Group.....                | 29                 |
| Deck Group.....                 | 3-9                |
| Deck Support Group .....        | 13                 |
| Deck Idler Assembly .....       | 9                  |
| Electrical Diagram.....         | 30                 |
| Electrical Group .....          | 28                 |
| Electrical Logic Schematic..... | 31                 |
| Engine Group.....               | 23-24              |
| Fuel Tank Group .....           | 21                 |
| Fuel Tank Assembly .....        | 22                 |
| Height of Cut Assembly .....    | 14                 |
| Hydraulic Group .....           | 25-26              |
| Mainframe Group.....            | 10                 |
| Motion Control Group .....      | 16                 |
| Park Brake Group .....          | 18                 |
| Pump Idler Assembly .....       | 27                 |
| ROPS Assembly .....             | 11                 |
| Seat Group .....                | 19                 |
| Seat W/Tracks Assembly.....     | 20                 |

# 48" DECK GROUP



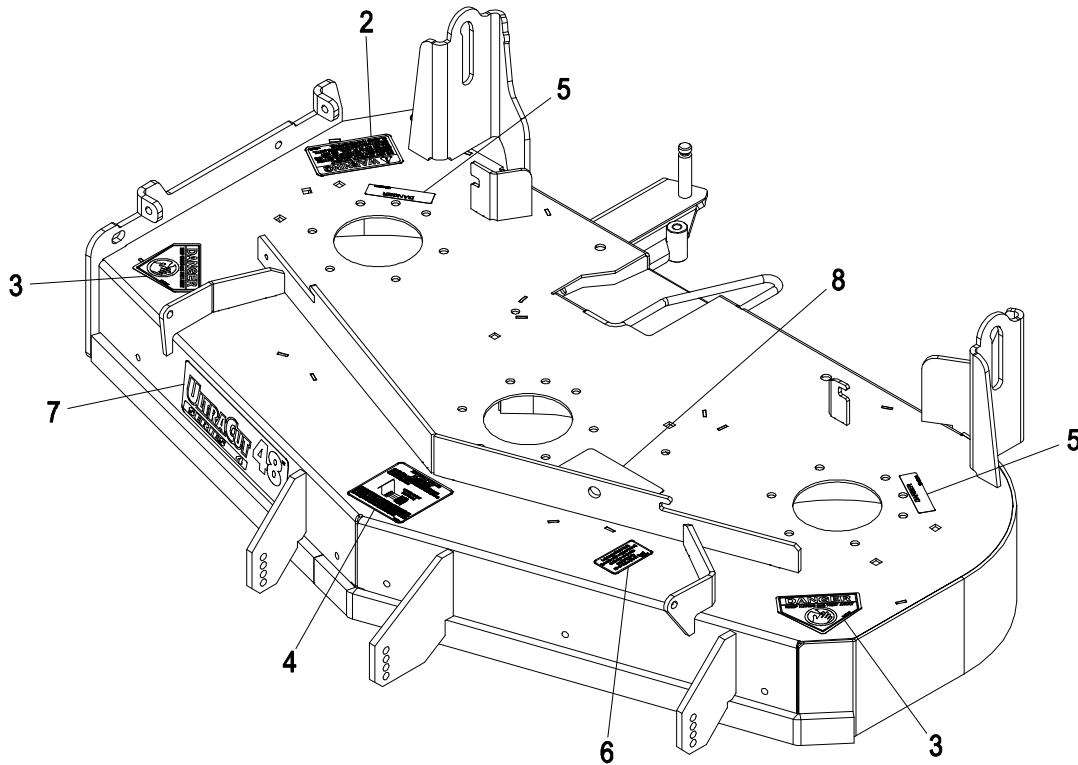
| Item | Part No. | Description                        | Qty. |
|------|----------|------------------------------------|------|
| 1    | 116-1978 | Asm, 484 Deck With Decals .....    | 1    |
| 2    | 98-5975  | Washer, Spring Disc 3/8 .....      | 3    |
| 3    | 109-7429 | Washer, Blade Drive .....          | 3    |
| 4    | 116-0133 | Extension-Spring.....              | 1    |
| 5    | 99-2842  | Spacer.....                        | 3    |
| 6    | 103-6401 | Blade, Notched .....               | 3    |
| ●    | 103-6391 | Blade, Mulching .....              | 3    |
|      | 103-6386 | Blade, Low Lift .....              | 3    |
|      | 103-6381 | Blade, Solid.....                  | 3    |
|      | 103-6396 | Blade, Extreme .....               | 3    |
| 7    | 1-603299 | Roller-Scalp, Anti .....           | 3    |
| 8    | 1-613098 | Pulley-Idler.....                  | 1    |
| 9    | 1-633109 | Idler-Flat.....                    | 1    |
| 10   | 116-0674 | Sheave, Blade Drive .....          | 3    |
| 11   | 109-2872 | Spacer-Pulley.....                 | 2    |
| 12   | 109-2883 | Asm, Deck Idler.....               | 1    |
| 13   | 116-0005 | Bolt, Blade SEM.....               | 3    |
| 14   | 109-6658 | Nut, Nyloc 3/8-16 Flg .....        | 31   |
| 15   | 116-1384 | Asm, Cutter Housing Complete ..... | 3    |
| 15:1 | 116-0924 | Asm, Cutter Housing.....           | 1    |

| Item | Part No.    | Description                        | Qty. |
|------|-------------|------------------------------------|------|
| 15:2 | 116-0381    | Spindle.....                       | 1    |
| 15:3 | 116-1286    | Guard, Top .....                   | 1    |
| 15:4 | 104-0753    | Nut, Flange .....                  | 1    |
| 16   | 109-6935    | Cover-Belt, RH .....               | 1    |
| 17   | 109-6936    | Cover-Belt, LH .....               | 1    |
| 18   | 109-6982    | Wireform-Cover .....               | 2    |
| 19   | 109-7188    | Asm, Discharge Chute.....          | 1    |
| 19:1 | 109-2738    | Chute, Discharge.....              | 1    |
| 19:2 | 109-8675-01 | Bracket, Discharge Chute.....      | 1    |
| 19:3 | 3231-22     | Bolt, Carriage 3/8-16 x 1.....     | 3    |
| 19:4 | 109-6658    | Nut, Nyloc 3/8-16 Flg.....         | 3    |
| 20   | 116-1965    | Belt, V-B X 175.75.....            | 1    |
| 21   | 109-9010-01 | Baffle, Discharge .....            | 1    |
| 22   | 3290-357    | Nut, Whizlock 3/8-16 .....         | 3    |
| 23   | 3231-22     | Bolt, Carriage 3/8-16 x 1.....     | 2    |
| 24   | 3231-28     | Bolt, Carriage 3/8-16 x 1 1/4..... | 2    |
| 25   | 3231-44     | Bolt, Carriage 3/8-16 x 2 1/2..... | 2    |
| 26   | 103-4051    | Kit, Anti-Scalp Roller.....        | 3    |
| 27   | 116-1967    | Asm, Complete Deck.....            | 1    |

Exmark red touch up paint (spray paint – P/N 1-850337 - .6 oz liquid bottle – P/N 103-9140).

● Requires installation of Micro-Mulch accessory for proper mulching. Mulch kit P/N MK484.

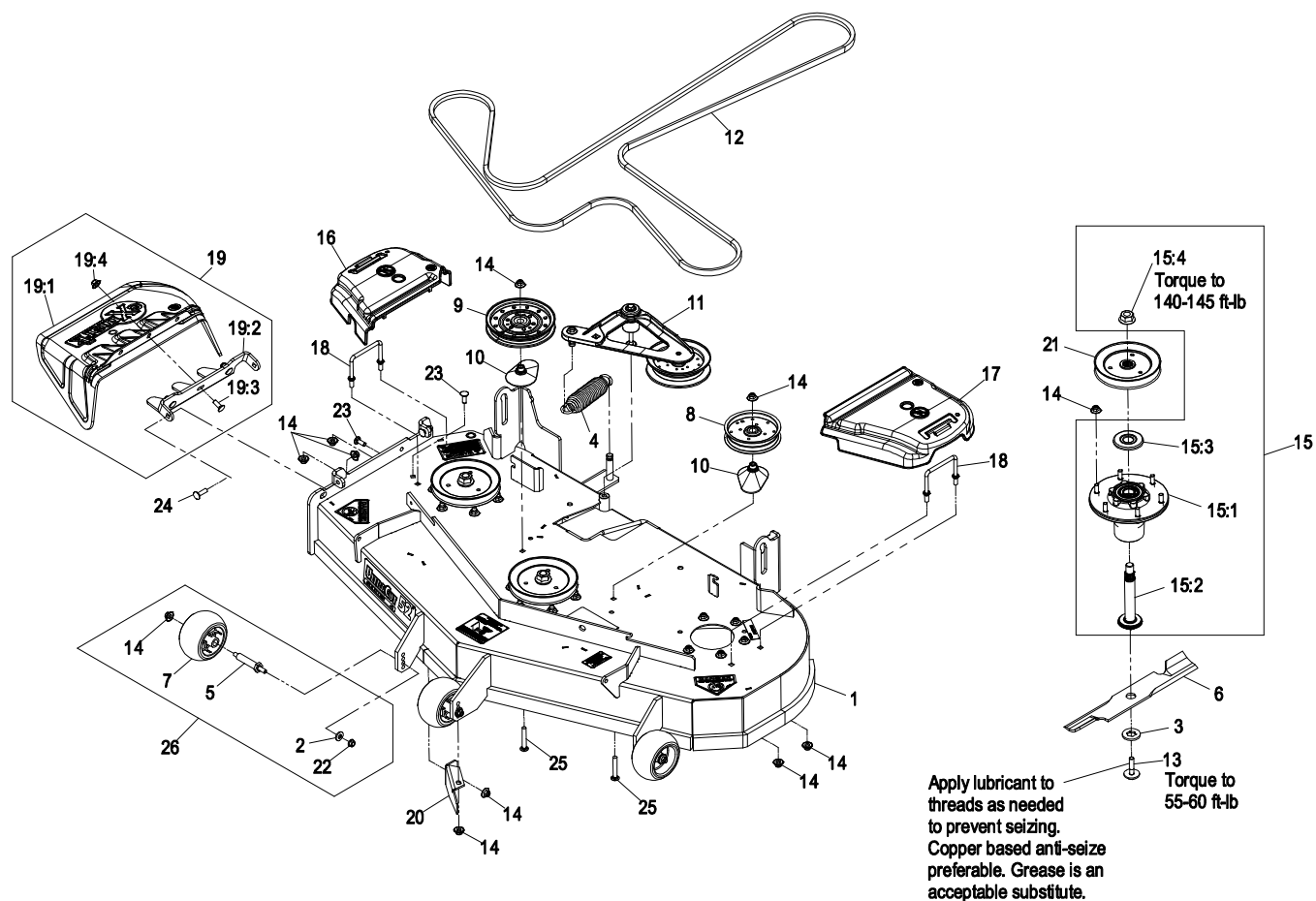
# 48" DECK W/DECALS ASSEMBLY – 116-1978



| Item | Part No. | Description                    | Qty. |
|------|----------|--------------------------------|------|
| 2    | 1-303508 | Decal, Warning, Discharge..... | 1    |
| 3    | 1-403005 | Decal, Danger.....             | 2    |
| 4    | 1-633922 | Decal, Antiscalp.....          | 1    |
| 5    | 98-5954  | Decal, Cover, Missing .....    | 2    |

| Item | Part No. | Description                       | Qty. |
|------|----------|-----------------------------------|------|
| 6    | 109-3148 | Decal, Bolt Torque .....          | 1    |
| 7    | 116-0033 | Decal, Ultracut 48 Series 4 ..... | 1    |
| 8    | 116-2630 | Decal, Belt Routing .....         | 1    |

# 52" DECK GROUP



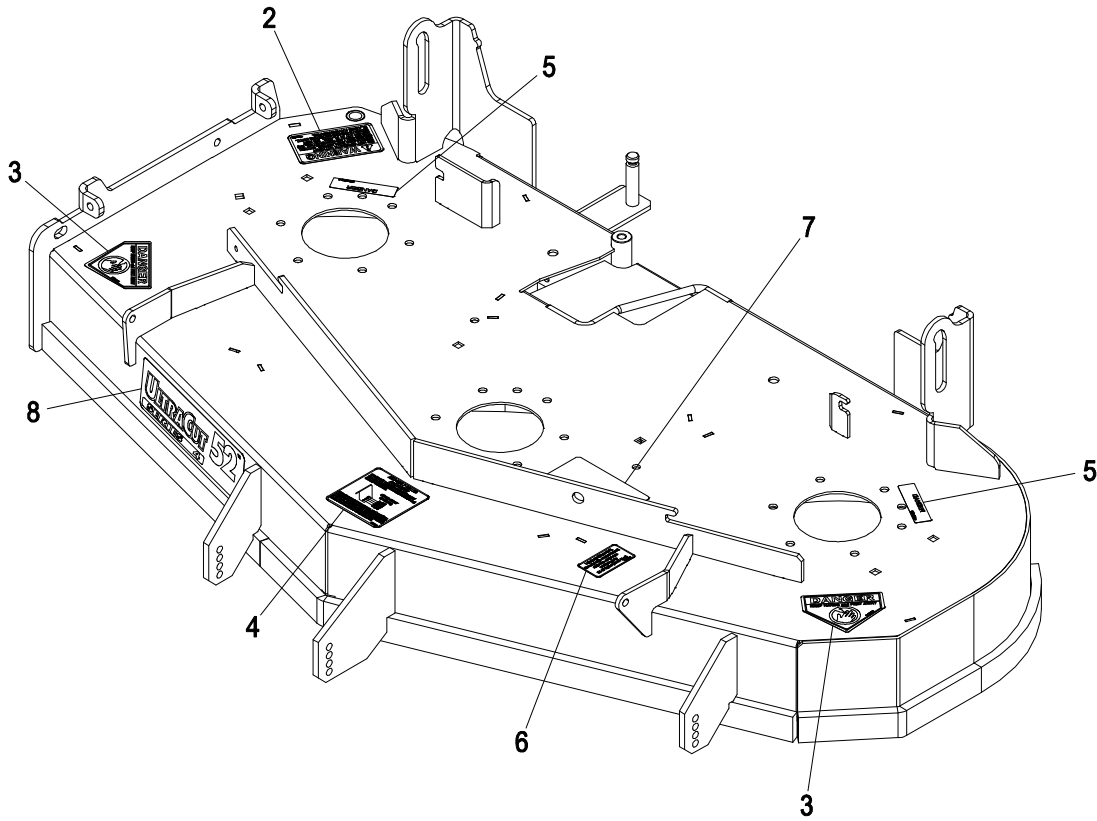
| Item | Part No. | Description                        | Qty. |
|------|----------|------------------------------------|------|
| 1    | 116-1984 | Asm, 524 Deck With Decals .....    | 1    |
| 2    | 98-5975  | Washer, Spring Disc 3/8 .....      | 3    |
| 3    | 109-7429 | Washer, Blade Drive .....          | 3    |
| 4    | 116-0133 | Extension-Spring .....             | 1    |
| 5    | 99-2842  | Spacer .....                       | 3    |
| 6    | 103-6402 | Blade-Notched .....                | 3    |
| ●    | 103-6392 | Blade, Mulching .....              | 3    |
|      | 103-6387 | Blade, Low Lift .....              | 3    |
|      | 103-6382 | Blade, Solid .....                 | 3    |
|      | 103-6397 | Blade, Extreme .....               | 3    |
| 7    | 1-603299 | Roller-Scalp, Anti .....           | 3    |
| 8    | 1-613098 | Pulley-Idler .....                 | 1    |
| 10   | 109-2872 | Spacer-Pulley .....                | 2    |
| 11   | 109-2883 | Asm, Deck Idler .....              | 1    |
| 12   | 116-1966 | Belt, V-B X 186.00" .....          | 1    |
| 13   | 116-0005 | Bolt, Blade SEM .....              | 3    |
| 14   | 109-6658 | Nut, Nyloc 3/8-16 Flg .....        | 31   |
| 15   | 116-1384 | Asm, Cutter Housing Complete ..... | 3    |
| 15:1 | 116-0924 | Asm, Cutter Housing .....          | 1    |

| Item | Part No.    | Description                         | Qty. |
|------|-------------|-------------------------------------|------|
| 15:2 | 116-0381    | Spindle .....                       | 1    |
| 15:3 | 116-1286    | Guard, Top .....                    | 1    |
| 15:4 | 104-0753    | Nut, Flange .....                   | 1    |
| 16   | 109-6935    | Cover-Belt, RH .....                | 1    |
| 17   | 109-6936    | Cover-Belt, LH .....                | 1    |
| 18   | 109-6982    | Wireform-Cover .....                | 2    |
| 19   | 109-7188    | Asm, Discharge Chute .....          | 1    |
| 19:1 | 109-2738    | Chute, Discharge .....              | 1    |
| 19:2 | 109-8675-01 | Bracket, Discharge Chute .....      | 1    |
| 19:3 | 3231-22     | Bolt, Carriage 3/8-16 x 1 .....     | 3    |
| 19:4 | 109-6658    | Nut, Nyloc 3/8-16 Flg .....         | 3    |
| 20   | 109-9915-01 | Baffle, Discharge 52/60 .....       | 1    |
| 21   | 116-0675    | Sheave, Blade Drive 6.50 .....      | 3    |
| 22   | 3290-357    | Nut, Whizlock 3/8-16 .....          | 3    |
| 23   | 3231-22     | Bolt, Carriage 3/8-16 x 1 .....     | 2    |
| 24   | 3231-28     | Bolt, Carriage 3/8-16 x 1 1/4 ..... | 2    |
| 25   | 3231-44     | Bolt, Carriage 3/8-16 x 2 1/2 ..... | 2    |
| 26   | 103-4051    | Kit, Anti-Scalp Roller .....        | 3    |
| 27   | 116-1968    | Asm, Complete Deck .....            | 1    |

Exmark red touch up paint (spray paint – P/N 1-850337 - .6 oz liquid bottle – P/N 103-9140).

● Requires installation of Micro-Mulch accessory for proper mulching. Mulch kit P/N MK524.

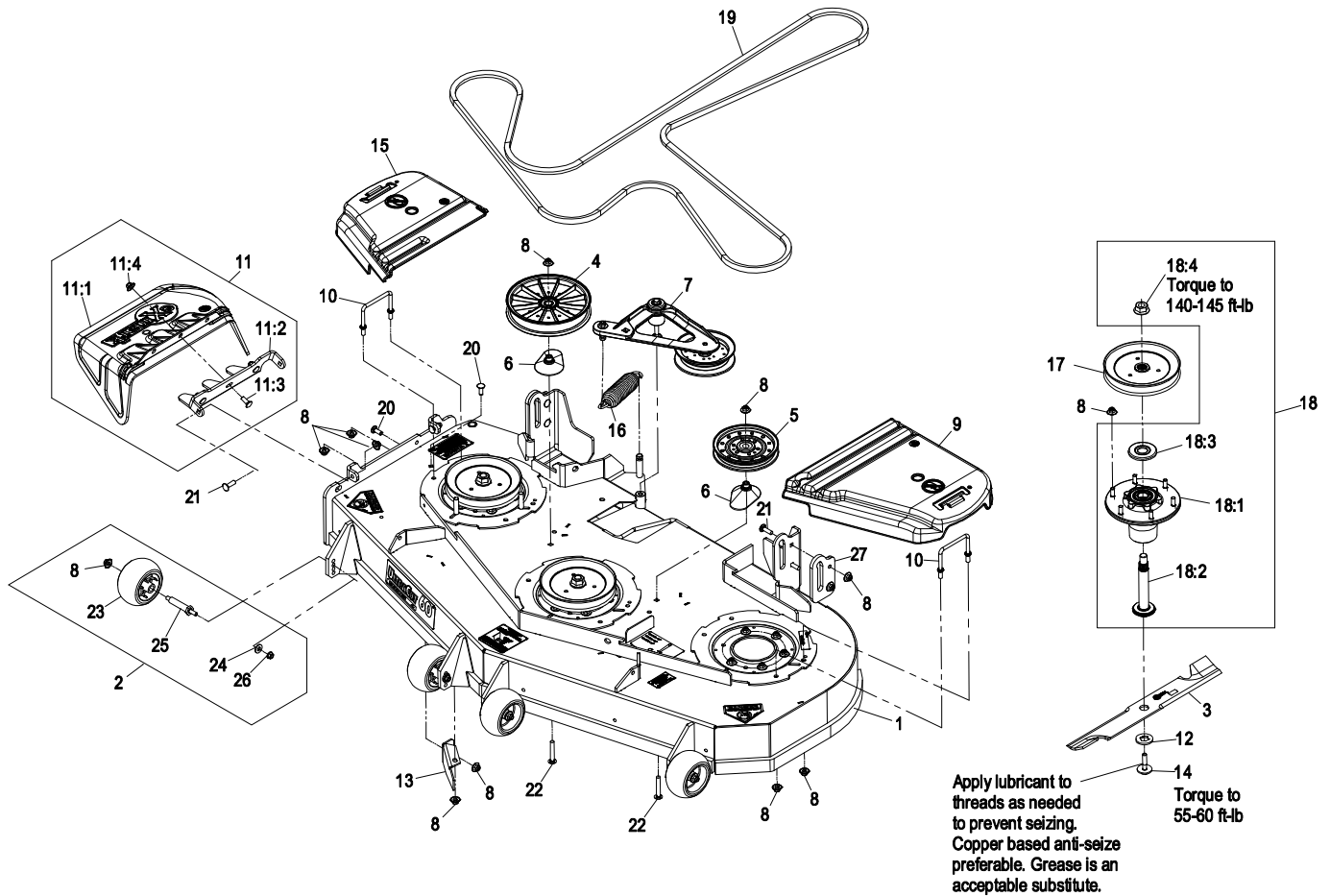
## 52" DECK W/DECALS ASSEMBLY – 116-1984



| Item | Part No. | Description                   | Qty. |
|------|----------|-------------------------------|------|
| 2    | 1-303508 | Decal, Warning Discharge..... | 1    |
| 3    | 1-403005 | Decal, Danger.....            | 2    |
| 4    | 1-633922 | Decal, Antiscalp.....         | 1    |
| 5    | 98-5954  | Decal, Cover Missing .....    | 2    |

| Item | Part No. | Description                        | Qty. |
|------|----------|------------------------------------|------|
| 6    | 109-3148 | Decal, Bolt Torque .....           | 1    |
| 7    | 116-2630 | Decal, Belt Routing .....          | 1    |
| 8    | 116-0034 | Decal, UltradCut 52 Series 4 ..... | 1    |

# 60" DECK GROUP



| Item | Part No.    | Description                          | Qty. |
|------|-------------|--------------------------------------|------|
| 1    | 116-1987    | Asm, Deck 604 Push With Decals ..... | 1    |
| 2    | 103-4051    | Kit, Anti-Scalp Roller .....         | 4    |
| 3    | 103-6403    | Blade, Notched .....                 | 3    |
| ●    | 103-6393    | Blade, Mulching .....                | 3    |
|      | 103-6388    | Blade, Low Lift .....                | 3    |
|      | 103-6383    | Blade, Solid .....                   | 3    |
|      | 103-6398    | Blade, Extreme .....                 | 3    |
| 4    | 109-0996    | Pulley, Idler 8" Flat .....          | 1    |
| 5    | 1-633109    | Idler, Flat .....                    | 1    |
| 6    | 109-2872    | Spacer, Pulley .....                 | 2    |
| 7    | 109-2883    | Asm, Deck Idler .....                | 1    |
| 8    | 109-6658    | Nut, Nyloc 3/8-16 Flg .....          | 36   |
| 9    | 109-6938    | Cover-Belt, LH .....                 | 1    |
| 10   | 109-6982    | Wireform, Cover .....                | 2    |
| 11   | 109-7188    | Asm, Discharge Chute .....           | 1    |
| 11   | 109-7188    | Asm, Discharge Chute .....           | 1    |
| 11:1 | 109-2738    | Chute, Discharge .....               | 1    |
| 11:2 | 109-8675-01 | Bracket, Discharge Chute .....       | 1    |
| 11:3 | 3231-22     | Bolt, Carriage 3/8-16 x 1 .....      | 3    |
| 11:4 | 109-6658    | Nut, Nyloc 3/8-16 Flg .....          | 3    |
| 12   | 109-7429    | Washer, Blade Drive .....            | 3    |

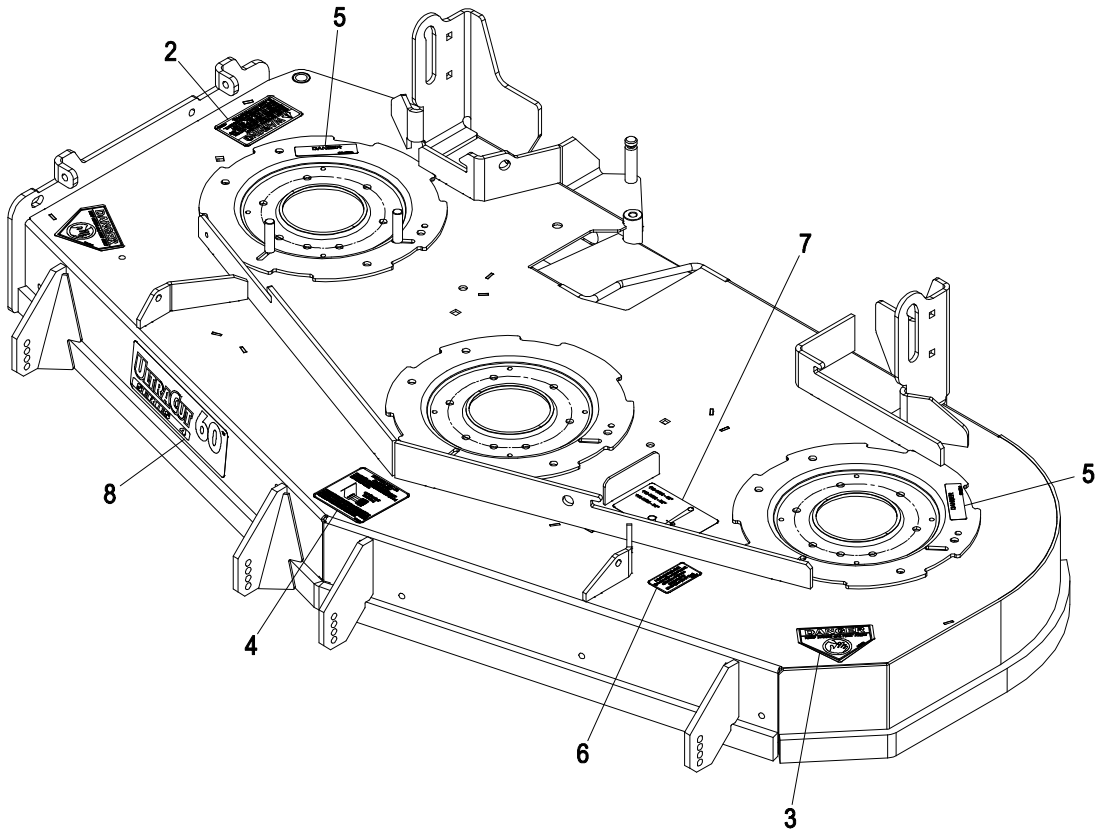
| Item | Part No.    | Description                         | Qty. |
|------|-------------|-------------------------------------|------|
| 13   | 109-9915-01 | Baffle, Discharge .....             | 1    |
| 14   | 116-0005    | Bolt, Blade Sem .....               | 3    |
| 15   | 116-0094    | Cover-Belt, RH .....                | 1    |
| 16   | 116-0133    | Extension-Spring .....              | 1    |
| 17   | 116-0676    | Sheave, Blade Drive 7.25 .....      | 3    |
| 18   | 116-1384    | Asm, Cutter Housing Complete .....  | 3    |
| 18:1 | 116-0924    | Asm, Cutter Housing .....           | 1    |
| 18:2 | 116-0381    | Spindle .....                       | 1    |
| 18:3 | 116-1286    | Guard, Top .....                    | 1    |
| 18:4 | 104-0753    | Nut, Flange .....                   | 1    |
| 19   | 109-8073    | Belt, V-5V-198.75 .....             | 1    |
| 20   | 3231-22     | Bolt, Carriage 3/8-16 x 1 .....     | 2    |
| 21   | 3231-28     | Bolt, Carriage 3/8-16 x 1 1/4 ..... | 6    |
| 22   | 3231-44     | Bolt, Carriage 3/8-16 x 2 1/2 ..... | 2    |
| 23   | 1-603299    | Roller-Scalp, Anti .....            | 4    |
| 24   | 98-5975     | Washer, Spring Disc 3/8 .....       | 4    |
| 25   | 99-2842     | Spacer, Wheel .....                 | 4    |
| 26   | 3290-357    | Nut, Whizlock 3/8-16 .....          | 4    |
| 27   | 116-3445    | Plate, Reinf Push Tower .....       | 2    |
| 28   | 116-3217    | Asm, Complete Deck .....            | 3    |

Exmark red touch up paint (spray paint – P/N 1-850337 - .6 oz liquid bottle – P/N 103-9140).

● Requires installation of Micro-Mulch accessory for proper mulching. Mulch kit P/N MK604.



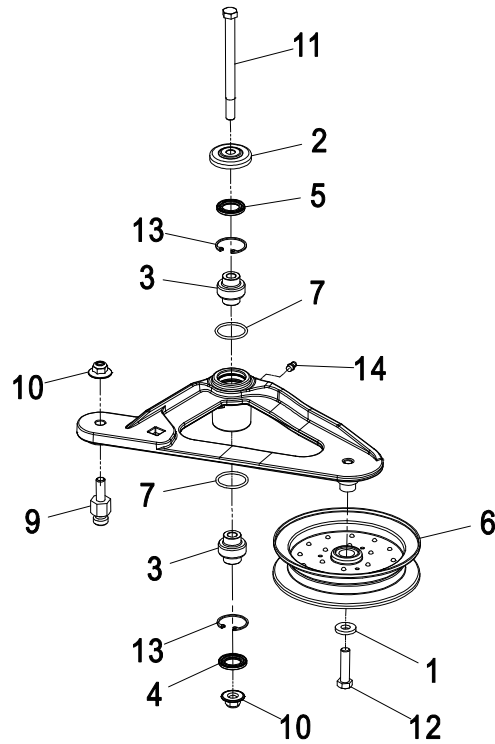
# 60" DECK W/DECALS ASSEMBLY – 116-1987



| Item | Part No. | Description                    | Qty. |
|------|----------|--------------------------------|------|
| 2    | 1-303508 | Decal-Warning, Discharge ..... | 1    |
| 3    | 1-403005 | Decal-Danger .....             | 2    |
| 4    | 1-633922 | Decal, Antiscalp.....          | 1    |
| 5    | 98-5954  | Decal-Cover, Missing .....     | 2    |

| Item | Part No. | Description                       | Qty. |
|------|----------|-----------------------------------|------|
| 6    | 109-3148 | Decal, Bolt Torque .....          | 1    |
| 7    | 116-2630 | Decal-Belt Routing .....          | 1    |
| 8    | 116-0025 | Decal, Ultracut 60 Series 4 ..... | 1    |

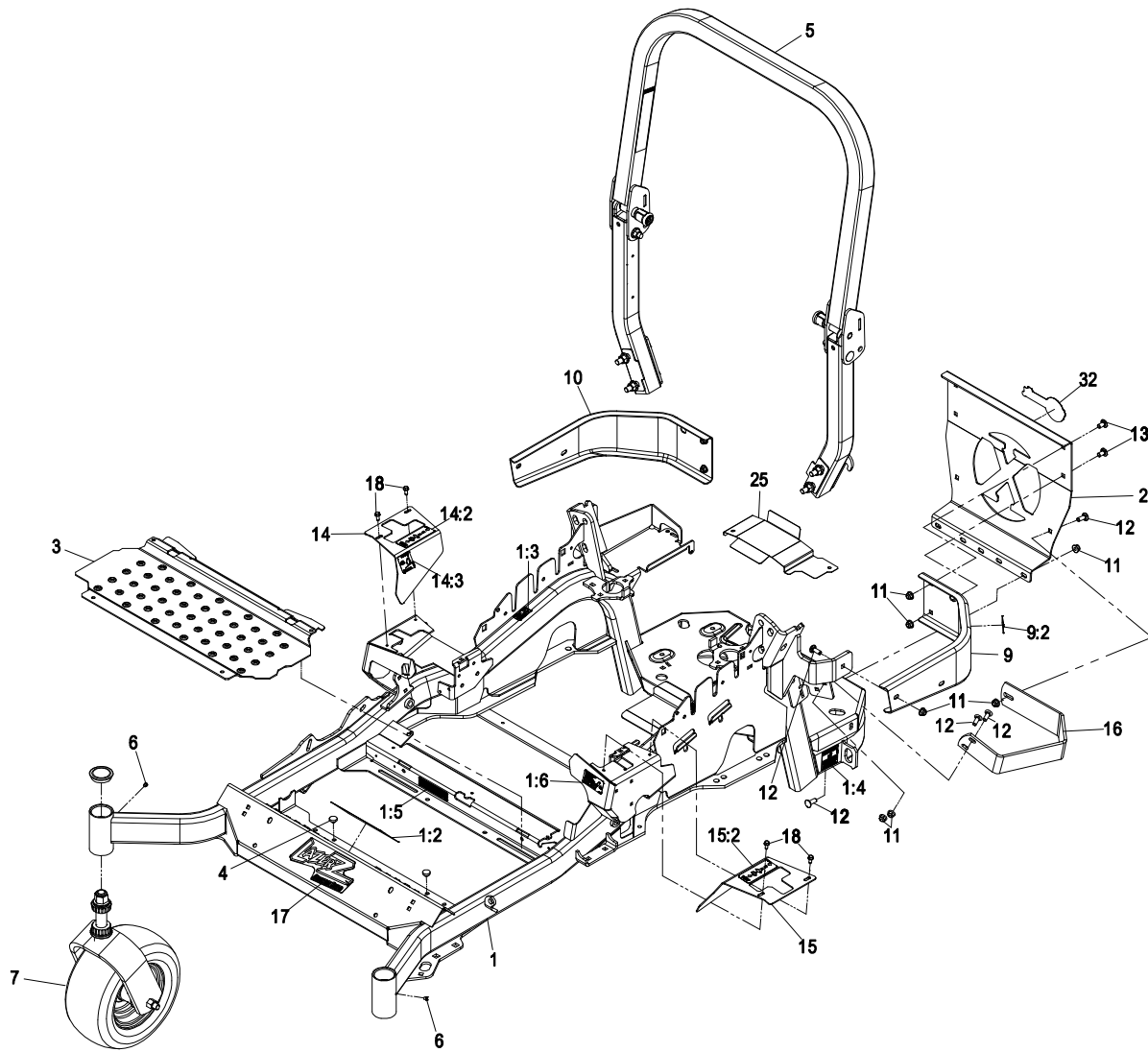
# DECK IDLER ASSEMBLY – 109-2883



| Item | Part No. | Description                   | Qty. |
|------|----------|-------------------------------|------|
| 1    | 43-0940  | Spacer-Hub, Blower .....      | 1    |
| 2    | 103-2916 | Guard, Top .....              | 1    |
| 3    | 103-3504 | Bearing, Spherical .....      | 2    |
| 4    | 103-3505 | Seal, Double Lip .....        | 1    |
| 5    | 103-3506 | Seal, Single Lip .....        | 1    |
| 6    | 103-8743 | Pulley, Idler 5"Flanged ..... | 1    |
| 7    | 106-7159 | O-Ring .....                  | 2    |

| Item | Part No. | Description                      | Qty. |
|------|----------|----------------------------------|------|
| 9    | 109-7399 | Pin, Spring Anchor .....         | 1    |
| 10   | 109-6658 | Nut, Nyloc 3/8-16 Flg .....      | 2    |
| 11   | 109-7409 | Screw, Shoulder 3/8-16 x 5 ..... | 1    |
| 12   | 323-8    | Screw, HH 3/8-16 x 1 1/2 .....   | 1    |
| 13   | 32120-10 | Ring, Retaining .....            | 2    |
| 14   | 302-19   | Zerk, 1/4-28 Str .....           | 1    |

# MAINFRAME GROUP



| Item | Part No.    | Description                     | Qty. |
|------|-------------|---------------------------------|------|
| 1    | 116-2124    | Frame, Main 48/52 W/Decals..... | 1    |
|      | 116-2126    | Frame, Main 60 W/Decals.....    | 1    |
| 1:2  | 107-2112    | Decal, Warning.....             | 1    |
| 1:3  | 103-2076    | Decal, Caution Hot Surface..... | 2    |
| 1:4  | 116-0205    | Decal, Belt Drive.....          | 2    |
| 1:5  | 117-2718    | Decal, Spark Arrester.....      | 1    |
| 1:6  | 116-1654    | Decal, Fuel Fill.....           | 1    |
| 2    | 109-8863-03 | Plate, Rear Guard.....          | 1    |
| 3    | 116-0024-01 | Floorpan.....                   | 1    |
| 4    | 1-513658    | Bumper.....                     | 2    |
| 5    | 116-2882    | Asm, ROPS Service.....          | 1    |
| 6    | 1-811010    | Plug.....                       | 2    |
| 7▲   |             | Asm, Caster Wheel.....          | 2    |
| 9    | 116-0180    | Bumper, Rear LH W/Decal.....    | 1    |
| 9:2  | 103-2076    | Decal, Caution Hot Surface..... | 1    |

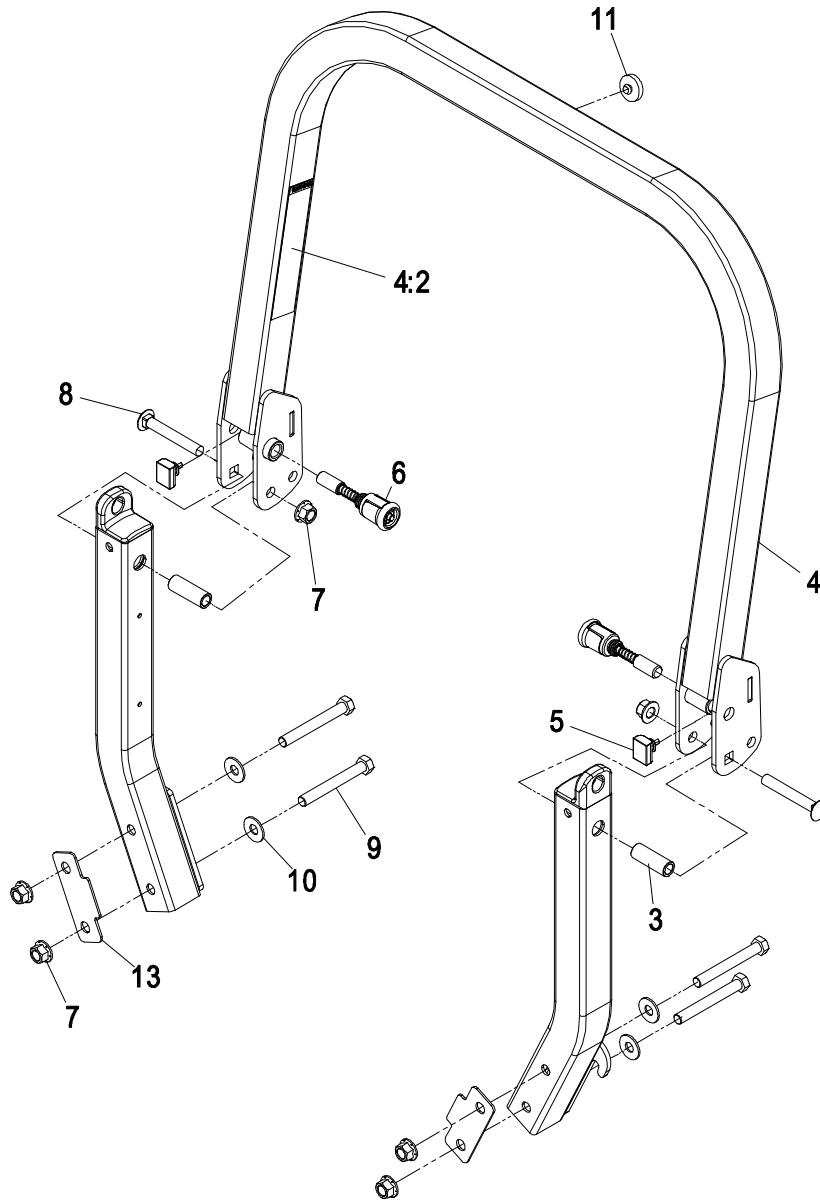
| Item | Part No.    | Description                               | Qty. |
|------|-------------|---|------|
| 10   | 116-0057-03 | Bumper, Rear RH.....                      | 1    |
| 11   | 104-8301    | Nut, Nyloc 3/8-16 Flg.....                | 11   |
| 12   | 3231-22     | Bolt, Carriage 3/8-16 x 1.....            | 7    |
| 13   | 3231-21     | Bolt, Carriage 3/8-16 x 3/4.....          | 4    |
| 14   | 116-0579    | Asm, Motion Control Cover W/Decal RH..... | 1    |
| 14:2 | 109-7232    | Decal, Motion Control.....                | 1    |
| 14:3 | 109-7929    | Decal, Park Brake.....                    | 1    |
| 15   | 116-0580    | Asm, Motion Control Cover W/Decal LH..... | 1    |
| 15:2 | 109-7232    | Decal, Motion Control.....                | 1    |
| 16   | 116-0043-03 | Guard, Muffler.....                       | 1    |
| 17   | 116-0026    | Decal, Lazer AS Model.....                | 1    |
| 18   | 32144-10    | Screw, HWH 1/4-20 x .62.....              | 4    |
| 25   | 116-2999-01 | Guard, Belt.....                          | 1    |
| 32   | 103-2883    | Decal, Exmark Logo.....                   | 1    |

Exmark red touch up paint (spray paint – P/N 1-850337 - .6 oz liquid bottle – P/N 103-9140).

Exmark black touch up spray paint – gloss black.

▲ See page 10

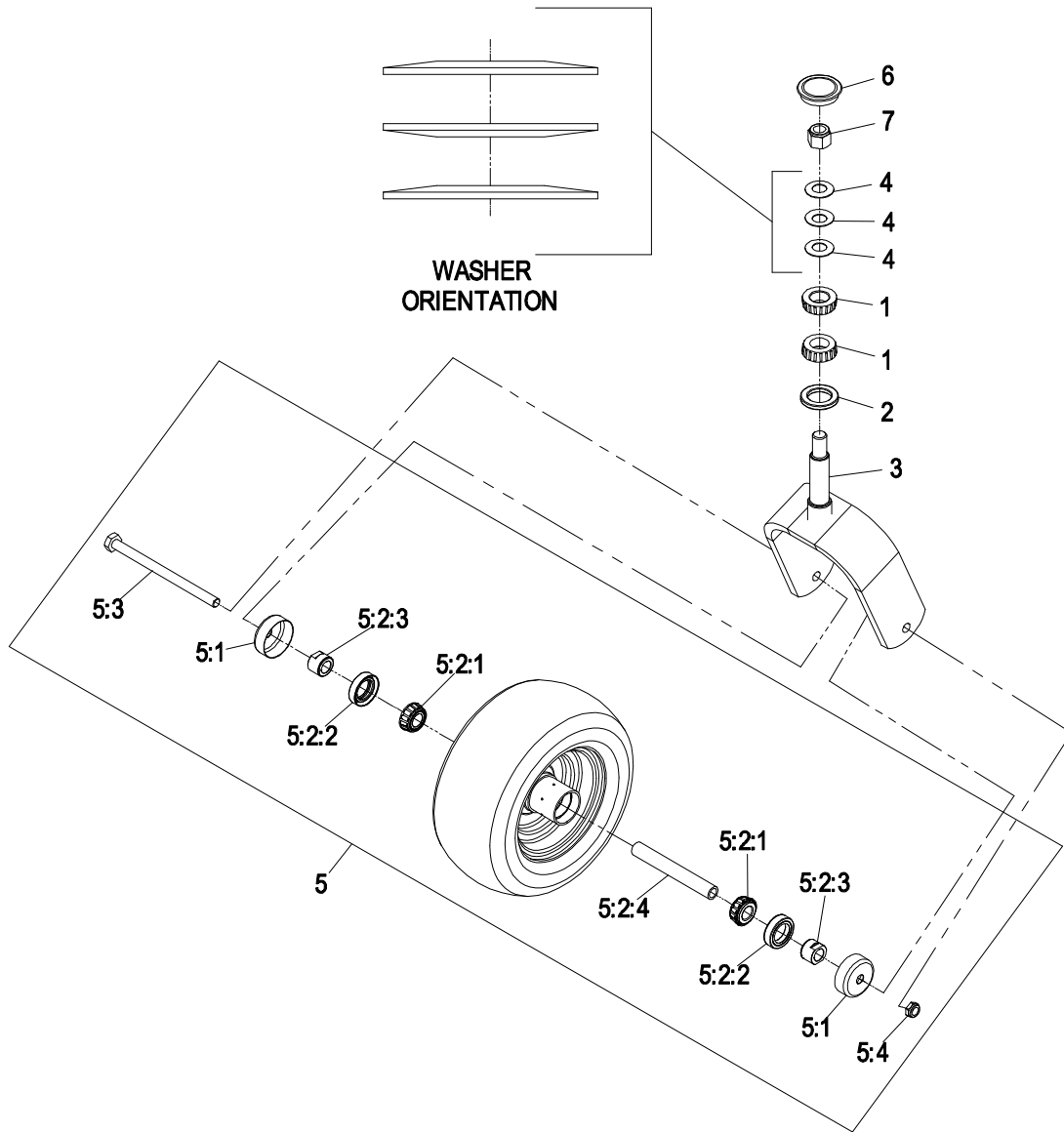
# ROPS ASSEMBLY – 116-2882



| Item | Part No. | Description                       | Qty. |
|------|----------|-----------------------------------|------|
| 3    | 109-6653 | Spacer .....                      | 2    |
| 4    | 116-0019 | Asm, Rops Upper W/Decal .....     | 1    |
| 4:2  | 107-2102 | Decal, Warning, Folding Rops..... | 1    |
| 5    | 109-5337 | Bumper, Rops.....                 | 2    |
| 6    | 116-0104 | Asm, Spring Pin.....              | 2    |
| 7    | 99-5107  | Nut, Lock 1/2-13.....             | 6    |

| Item | Part No. | Description                         | Qty. |
|------|----------|-------------------------------------|------|
| 8    | 3233-10  | Bolt, Carriage 1/2-13 x 3 1/2 ..... | 2    |
| 9    | 325-17   | Screw, HH 1/2-13 x 4 .....          | 4    |
| 10   | 109-9505 | Washer, Spring Disc 1/2 .....       | 4    |
| 11   | 109-9233 | Bumper, Rubber Push-In .....        | 1    |
| 13   | 116-0960 | Spacer.....                         | 2    |

# CASTER WHEEL ASSEMBLY



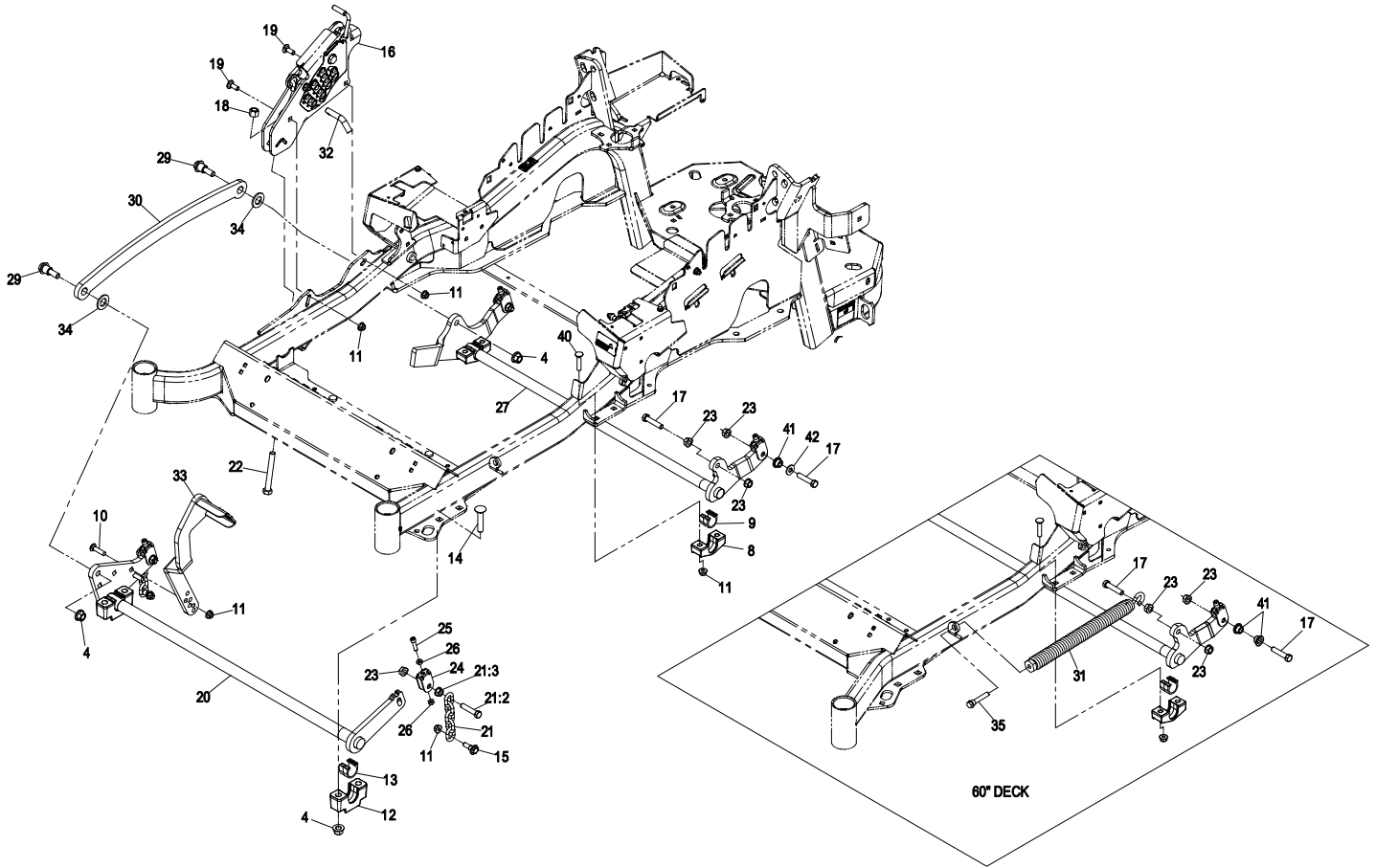
| Item  | Part No.    | Description                        | Qty. |
|-------|-------------|------------------------------------|------|
| 1     | 1-543509    | Cone, Bearing Tapered Roller ..... | 2    |
| 2     | 1-543511    | Seal, Grease .....                 | 1    |
| 3     | 116-1963-01 | Wld, Caster Fork .....             | 1    |
| 4     | 1-633508    | Washer, Spring Disc .....          | 3    |
| 5     | 116-1949    | Asm, Wheel And Tire W/Axle.....    | 1    |
| 5:1   | 103-2768    | Guard, Seal.....                   | 2    |
| 5:2:1 | 1-633585    | Bearing, Cone Tapered Roller ..... | 2    |

| Item   | Part No. | Description                | Qty. |
|--------|----------|----------------------------|------|
| 5:2:2  | 103-0063 | Seal, Double Lip .....     | 2    |
| 5:2:3▲ | 103-3051 | Spacer, Nut.....           | 2    |
| 5:2:4  | 103-3155 | Axle, Caster.....          | 1    |
| 5:3    | 325-42   | Screw, HH 1/2-13 x 8 ..... | 1    |
| 5:4    | 3296-23  | Nut, Nyloc 1/2-13.....     | 1    |
| 6      | 103-4882 | Cap-Grease .....           | 1    |
| 7      | 3296-51  | Nut, Nyloc 3/4-10.....     | 1    |

Exmark red touch up paint (spray paint – P/N 1-850337 - .6 oz liquid bottle – P/N 103-9140).

▲ Use Pro-Lock, Nut Type (P/N 1-840022, .5ml tube) on spacer nut, item 5:2:3.

# DECK SUPPORT GROUP

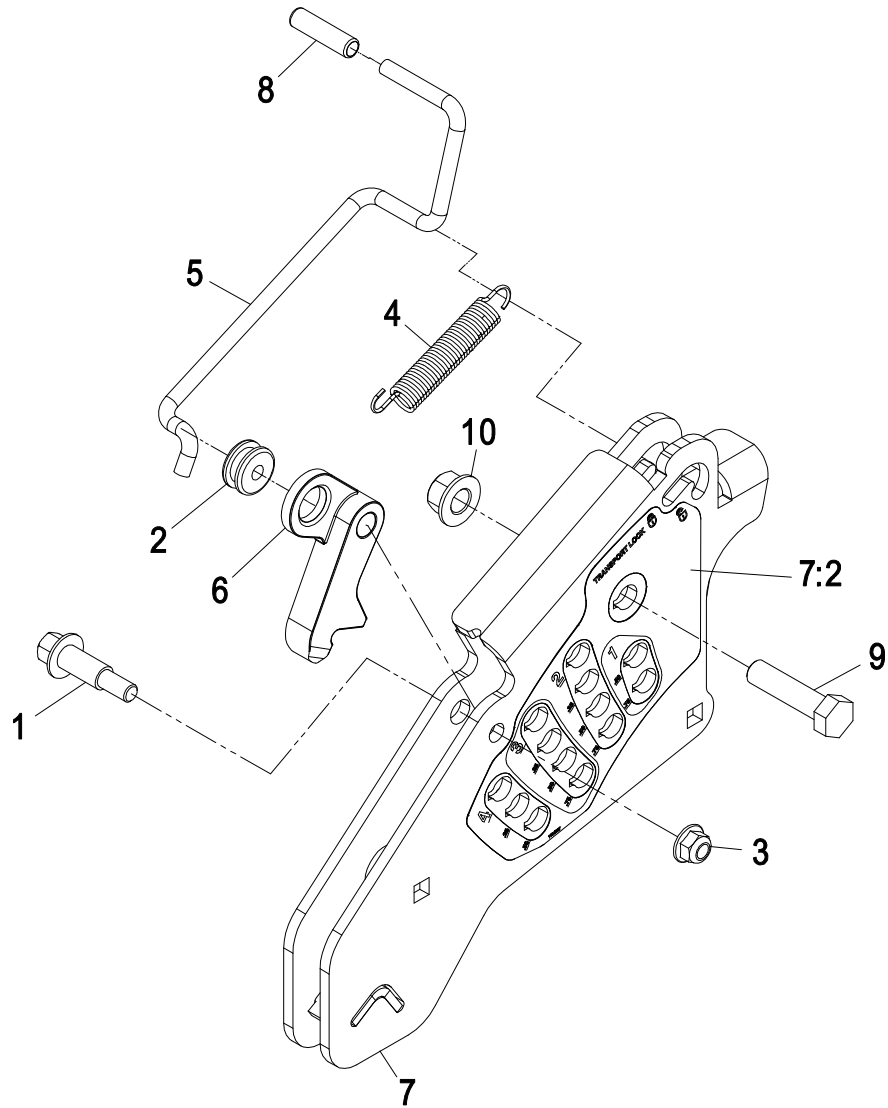


| Item | Part No.    | Description                            | Qty. |
|------|-------------|--|------|
| 4    | 99-5107     | Nut, Lock 1/2-13                       | 6    |
| 8    | 116-0818-03 | Support-Bearing, Cross Shaft Rear      | 2    |
| 9    | 109-7173    | Bearing-Cross, Rear Shaft              | 2    |
| 10   | 3231-4      | Bolt, Carriage 3/8-16 x 1 1/2          | 2    |
| 11   | 104-8301    | Nut, Nyloc 3/8-16 Flg                  | 10   |
| 12   | 109-9409    | Support-Cross Shaft, Bearing Front     | 2    |
| 13   | 109-9410    | Bearing-Shaft Front, Cross             | 2    |
| 14   | 116-1700    | Bolt, Carriage 1/2-13 x 2 1/2 spl neck | 4    |
| 15   | 109-9840    | Screw, Hex Flange 3/8-16 x .80         | 2    |
| 16   | 116-1970    | Asm, HOC                               | 1    |
| 17   | 109-9065    | Screw, HH 7/16-14 x 2 (48" & 52")      | 1    |
|      | 324-10      | Screw, HH 7/16-14 x 2 1/2 (60")        | 1    |
| 18   | 3296-23     | Nut, Nyloc 1/2-13                      | 1    |
| 19   | 3231-2      | Bolt, Carriage 3/8-16 x 1              | 2    |
| 20   | 116-2217-03 | Wld, Cross Shaft Front                 | 1    |
| 21   |             | Deck Lift Chain Asm                    | 2    |
| 21:2 | 109-9065    | Screw, HH 7/16-14 x 2                  | 1    |
| 21:3 | 32128-37    | Nut, Whizlock 7/16-14                  | 1    |
| 22   | 116-0559    | Bolt, HH 1/2-13 x 4 tap                | 1    |

| Item | Part No.    | Description                       | Qty. |
|------|-------------|-----------------------------------|------|
| 23   | 32128-37    | Nut, Whizlock 7/16-14 (48" & 52") | 4    |
|      | 32128-37    | Nut, Whizlock 7/16-14 (60")       | 6    |
| 24   | 109-9066    | Yoke-Adjust, Deck                 | 4    |
| 25   | 3274-18     | Screw, SH 5/16-18 x 1 1/4         | 4    |
| 26   | 3218-2      | Nut, Jam 5/16-18                  | 8    |
| 27   | 116-0459-03 | Lift-Deck, Rear                   | 1    |
| 29   | 116-0780    | Screw, Shoulder HHF 1/2-13 x 1.12 | 2    |
| 30   | 116-0797-03 | Link-Lift, Deck                   | 1    |
| 31   | 116-0886    | Asm, Spring Extension (60")       | 1    |
| 32   | 109-8757    | Pin-Hoc                           | 1    |
| 33   | 116-3452-01 | Wld, Foot Lever                   | 1    |
| 34   | 3256-28     | Washer, 3/4 SAE                   | 2    |
| 35   | 92-7674     | Screw, SHCS 3/8-16 x 2.212        | 1    |
| 40   | 3231-5      | Bolt, Carriage 3/8-16 x 1 3/4     | 4    |
| 41   | 116-2428    | Bushing, Flanged                  | 2    |
|      | 116-2428    | Bushing, Flanged                  | 4    |
| 42   | 3256-4      | Washer, 3/8 Std                   | 2    |
| 43   | 109-9065    | Screw, HH 7/16-14 x 2 (48" & 52") | 2    |
|      | 324-10      | Screw, HH 7/16-14 x 2 1/2 (60")   | 2    |

Exmark red touch up paint (spray paint – P/N 1-850337 - .6 oz liquid bottle – P/N 103-9140)  
 Exmark black touch up spray paint – gloss black.

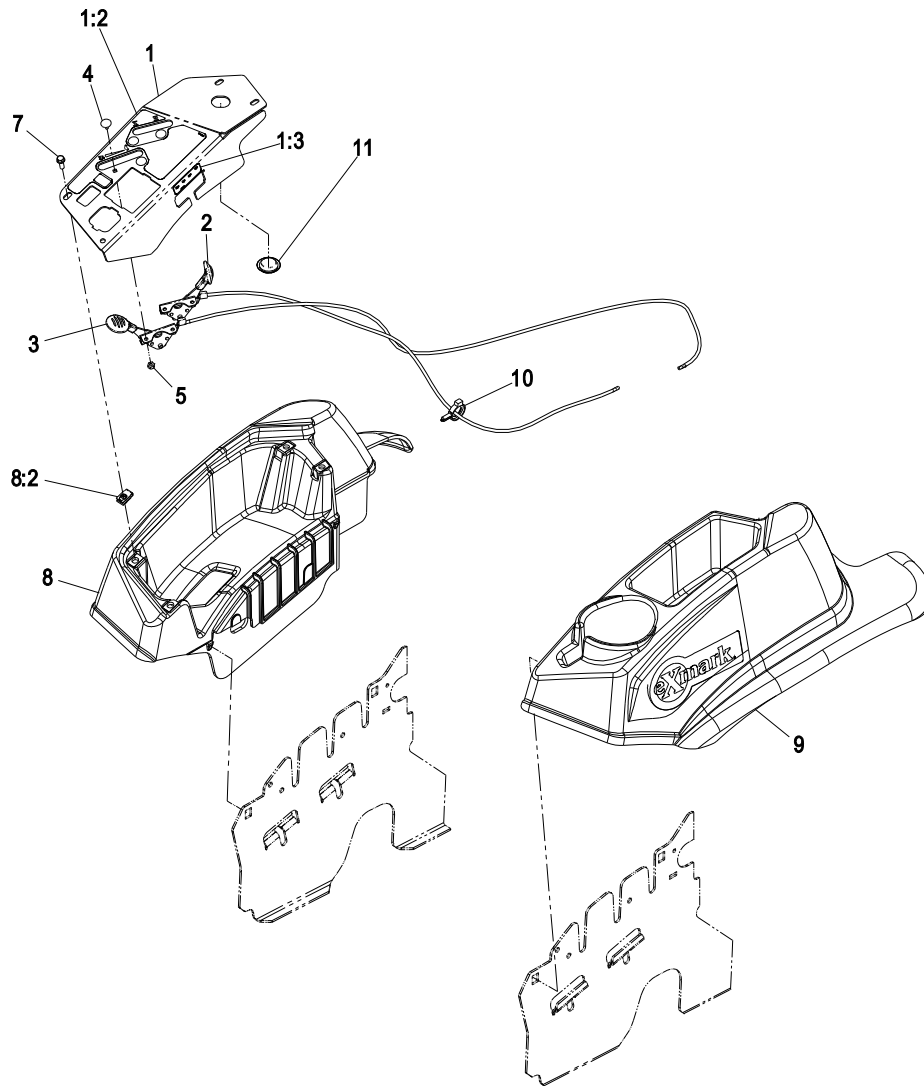
# HEIGHT OF CUT ASSEMBLY – 116-1970



| Item | Part No. | Description                | Qty. |
|------|----------|----------------------------|------|
| 1    | 62-1330  | Bolt-Shoulder.....         | 1    |
| 2    | 109-7130 | Grommet.....               | 1    |
| 3    | 104-8301 | Nut, Nyloc 3/8-16 Flg..... | 1    |
| 4    | 109-7124 | Spring, Extension .....    | 1    |
| 5    | 109-7128 | Rod, Transport Lock .....  | 1    |
| 6    | 116-0118 | Pawl, Transfer Lock.....   | 1    |

| Item | Part No. | Description                   | Qty. |
|------|----------|-------------------------------|------|
| 7    | 116-1961 | Asm, HOC Plate W/Decal .....  | 1    |
| 7:2  | 116-2927 | Decal, Cut Of Height .....    | 1    |
| 8    | 109-8250 | Grip, Lever .....             | 1    |
| 9    | 325-8    | Screw, HH 1/2-13 x 1 1/4..... | 1    |
| 10   | 99-5107  | Nut, Lock 1/2-13.....         | 1    |

# CONTROLS GROUP

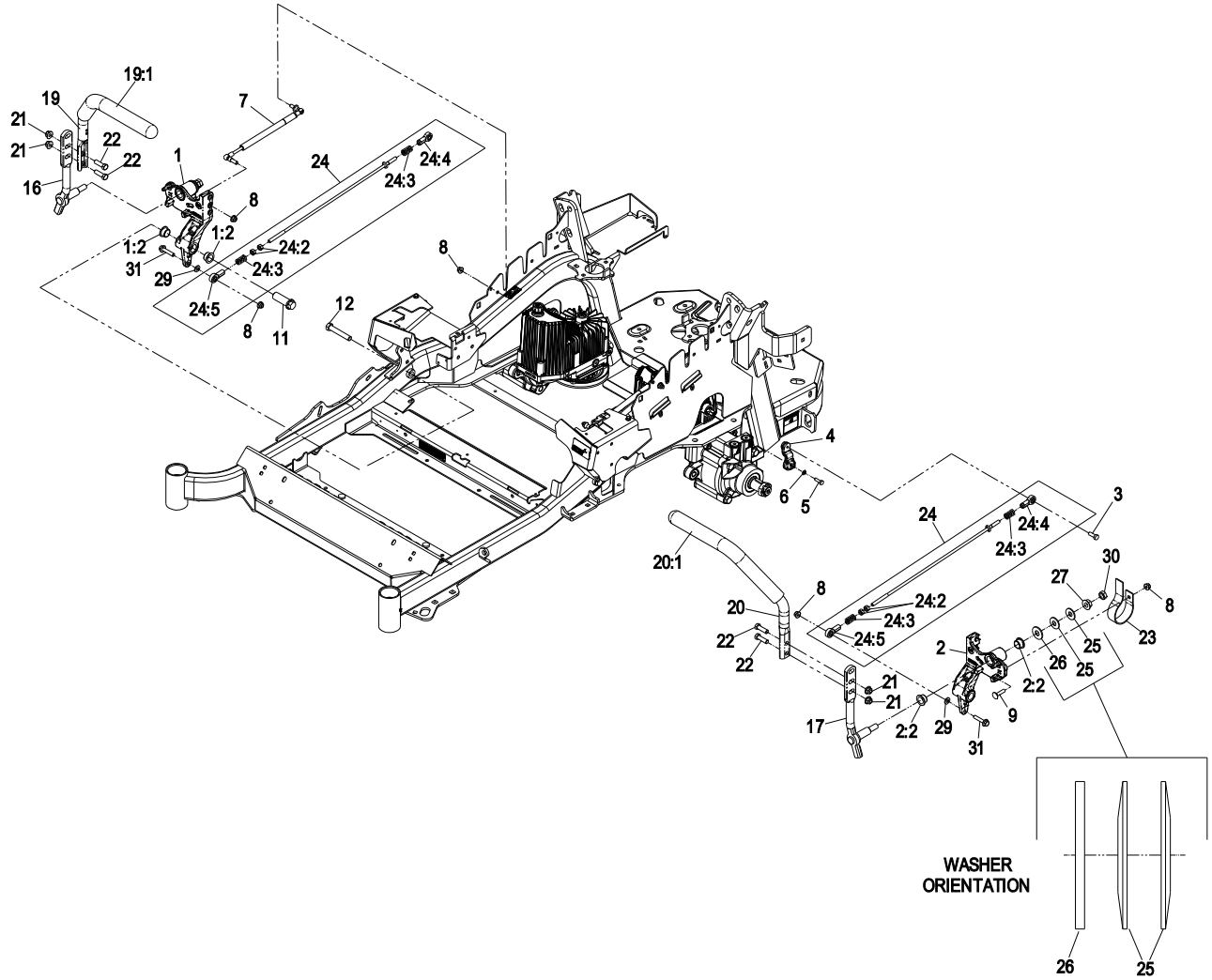


| Item | Part No. | Description                              | Qty. |
|------|----------|--|------|
| 1    | 109-8484 | Console, Panel W/Decal (48" & 52") ..... | 1    |
|      | 116-1845 | Console, Panel W/Decal (60") .....       | 1    |
| 1:2  | 109-8483 | Decal, Control Panel .....               | 1    |
| 1:3  | 109-7330 | Decal, Fuse .....                        | 1    |
| 2    | 116-1972 | Asm, Throttle Cable (48" & 52") .....    | 1    |
|      | 116-0969 | Asm, Throttle Cable (60") .....          | 1    |
| 3    | 116-1973 | Asm, Choke Cable (48" & 52") .....       | 1    |
|      | 109-8165 | Asm, Choke Cable (60") .....             | 1    |

| Item | Part No. | Description                       | Qty. |
|------|----------|-----------------------------------|------|
| 4    | 1-807513 | Bolt, Carriage #10-24 x 1/2 ..... | 4    |
| 5    | 3296-2   | Nut, Nyloc #10-24 .....           | 4    |
| 7    | 32105-15 | Screw, Machine 1/4-20 x 3/4 ..... | 4    |
| 8    | 116-1278 | Console, RH Narrow Asm .....      | 1    |
| 8:2  | 107069   | Clip .....                        | 4    |
| 9    | 109-9457 | Console.LH Narrow Asm .....       | 1    |
| 10   | 105-1853 | Clamp, Hose (60") .....           | 1    |
| 11   | 116-1875 | Plug, Plastic .....               | 1    |



# MOTION CONTROL GROUP

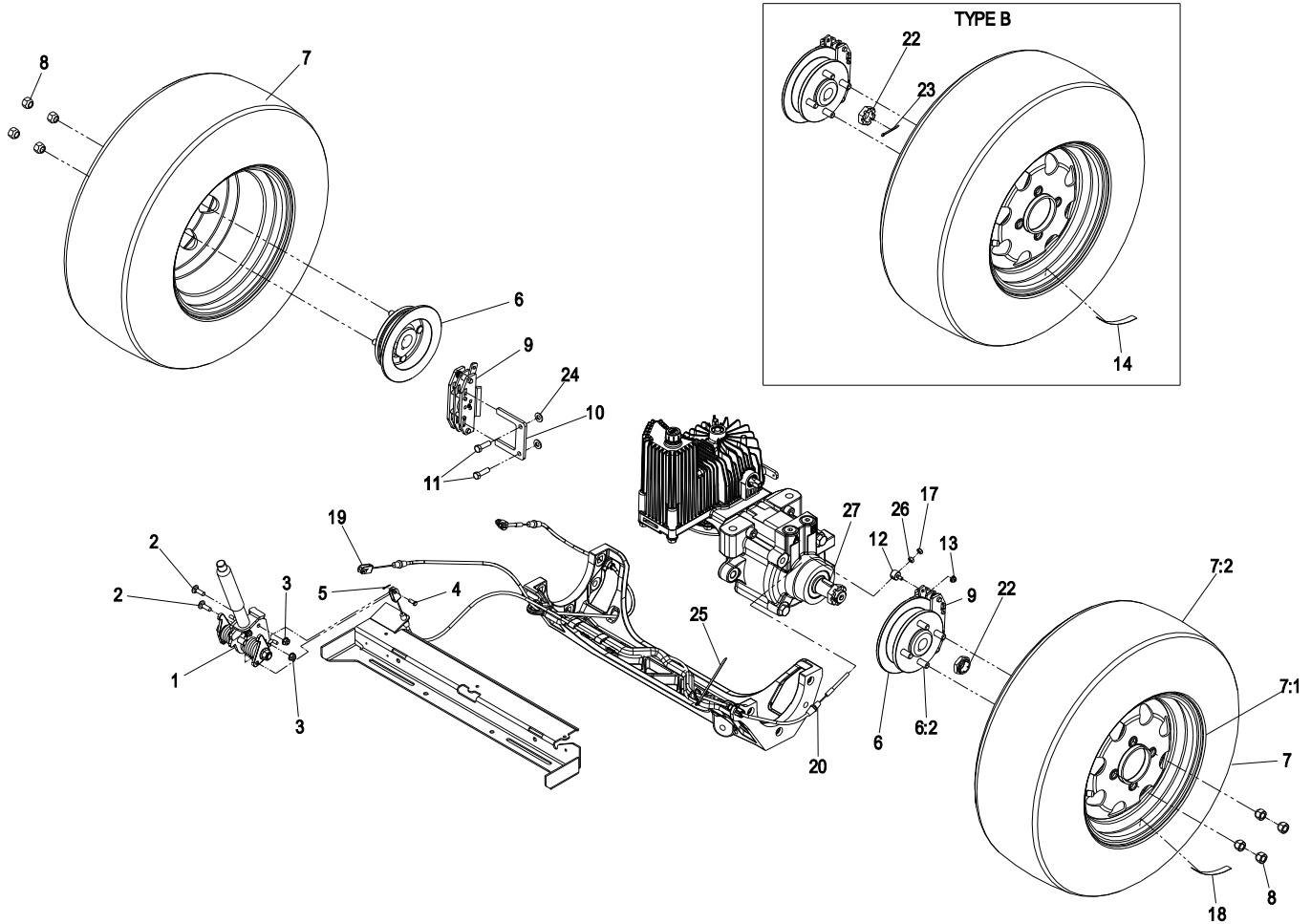


| Item | Part No. | Description                        | Qty. |
|------|----------|------------------------------------|------|
| 1    | 116-0880 | Asm, Mot Ctrl/Bushing RH .....     | 1    |
| 1:2  | 109-8054 | Bushing, Flanged .....             | 4    |
| 2    | 116-0881 | Asm, Mot Ctrl/Bushing LH .....     | 1    |
| 2:2  | 109-8054 | Bushing, Flanged .....             | 4    |
| 3▲   | 116-0648 | Screw, HH 5/16-18 x 1 W/Patch..... | 2    |
| 4    | 109-4581 | Arm, Pump Control.....             | 2    |
| 5▲   | 9080046  | Screw, HH 1/4-20 x 7/8 .....       | 2    |
| 6    | 1-303435 | Washer, Spring Disc 1/4.....       | 2    |
| 7    | 116-0027 | Damper, Motion Control .....       | 2    |
| 8    | 104-8300 | Nut, Nyloc 5/16-18 Flg.....        | 8    |
| 9    | 3230-2   | Bolt, Carriage 5/16-18 x 1.....    | 2    |
| 11   | 109-5891 | Hub, Threaded.....                 | 2    |
| 12   | 325-12   | Screw, HH 1/2-13 x 3 .....         | 2    |
| 16   | 116-0039 | Lever, Motion Control RH.....      | 1    |
| 17   | 116-0040 | Lever, Motion Control LH.....      | 1    |
| 19   | 109-6589 | Asm, Steering Handle RH .....      | 1    |
| 19:1 | 109-5668 | Grip, Control Lever .....          | 1    |

| Item | Part No. | Description                            | Qty. |
|------|----------|--|------|
| 20   | 109-6590 | Asm, Steering Handle LH.....           | 1    |
| 20:1 | 109-5668 | Grip, Control Lever.....               | 1    |
| 21   | 104-8301 | Nut, Nyloc 3/8-16 Flg .....            | 4    |
| 22   | 323-7    | Screw, HH 3/8-16 x 1 1/4.....          | 4    |
| 23   | 109-5575 | Spring, Leaf Rtn .....                 | 2    |
| 24   | 109-8107 | Asm, Pump Linkage Rear .....           | 2    |
| 24:2 | 3219-2   | Nut, Hex 5/16-24.....                  | 2    |
| 24:3 | 1-323245 | Spring, Compression.....               | 2    |
| 24:4 | 1-633152 | Balljoint .....                        | 1    |
| 24:5 | 1-543017 | Balljoint .....                        | 1    |
| 25   | 109-9505 | Washer, Spring Disc 1/2 .....          | 4    |
| 26   | 3256-6   | Washer.....                            | 2    |
| 27   | 32128-56 | Nut, Hex 1/2-13 Flange .....           | 2    |
| 29   | 3256-23  | Washer.....                            | 2    |
| 30   | 3218-5   | Nut, Jam 1/2-13.....                   | 2    |
| 31   | 115-1794 | Screw, Hex Flange 5/16-18 x 1 1/2..... | 2    |

▲ Use Pro-Lock, Nut Type (P/N 1-840022, .5ml tube).

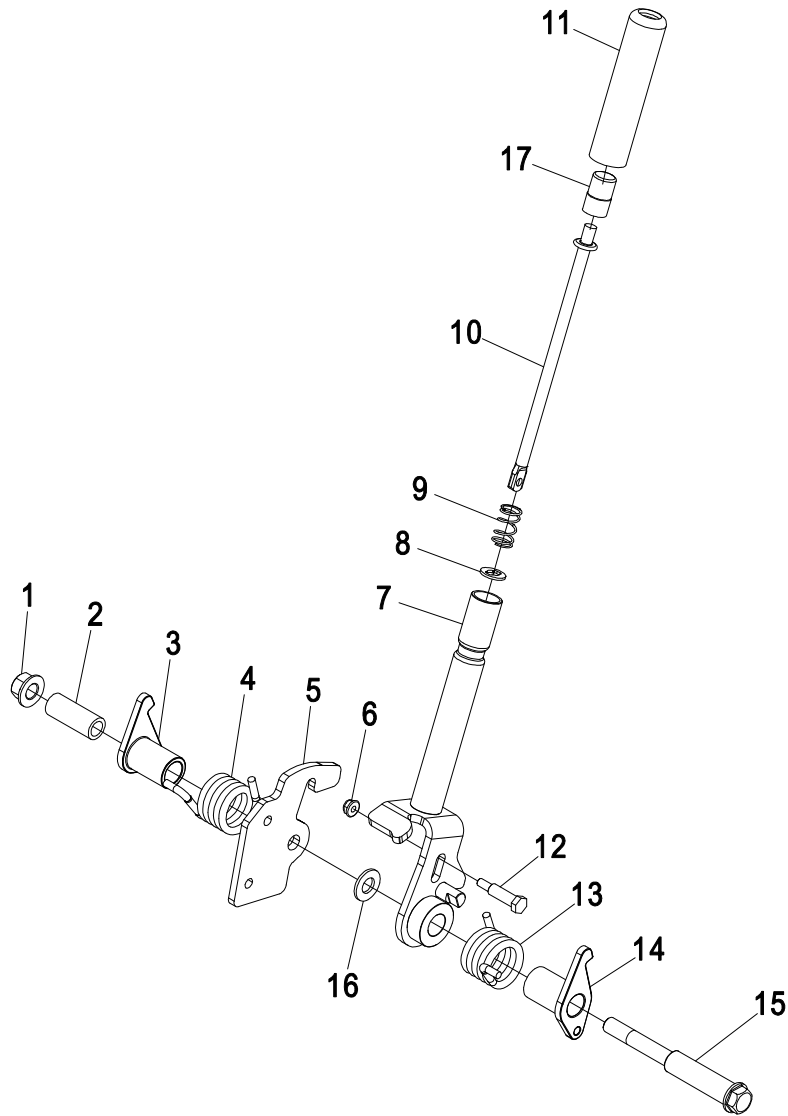
# PARK BRAKE GROUP



| Item | Part No. | Description                     | Qty. |
|------|----------|---------------------------------|------|
| 1    | 116-1878 | Asm, Brake Handle .....         | 1    |
| 2    | 3230-2   | Bolt, Carriage 5/16-18 x 1..... | 2    |
| 3    | 104-8300 | Nut, Nyloc 5/16-18 Flg.....     | 2    |
| 4    | 60-1730  | Pin-Clevis .....                | 2    |
| 5    | 3272-1   | Pin, Cotter 1/16 x 1/2.....     | 2    |
| 6    | 117-6163 | Asm, Wheel Hub And Stud.....    | 2    |
| 6:2  | 1-633926 | Stud-Wheel.....                 | 4    |
| 7    | 116-1940 | Asm, Wheel & Tire (48").....    | 2    |
|      | 116-1941 | Asm, Wheel & Tire (52").....    | 2    |
|      | 116-3138 | Asm, Wheel & Tire (60").....    | 2    |
| 7:1  | 109-3645 | Wheel (48").....                | 1    |
|      | 109-2875 | Wheel (52").....                | 1    |
|      | 109-2871 | Wheel (60").....                | 1    |
| 7:2  | 116-1948 | Tire (48" & 52").....           | 1    |
|      | 116-3139 | Tire (60").....                 | 1    |
| 8    | 242-50   | Nut, Lug 1/2-20.....            | 8    |

| Item | Part No. | Description                              | Qty. |
|------|----------|--|------|
| 9    | 109-2889 | Caliper-Brake .....                      | 2    |
| 10   | 109-0958 | Plate, Brake Mount.....                  | 2    |
| 11   | 92-5727  | Screw, HH 3/8-16 x 1 1/4 patch lock..... | 4    |
| 12   | 112-8379 | Swivel.....                              | 2    |
| 13   | 104-7201 | Nut, Nyloc 1/4-20 Flg .....              | 2    |
| 14   | 116-0165 | Decal, Hub, Wheel .....                  | 2    |
| 17   | 3296-13  | Nut, Nyloc 1/4-28 .....                  | 2    |
| 18   | 116-2643 | Decal, Hub, Wheel .....                  | 2    |
| 19   | 115-3584 | Cable.....                               | 1    |
| 20   | 115-3585 | Cable.....                               | 1    |
| 22   | 1-809036 | Nut, Slotted 1-20 .....                  | 2    |
| 23   | 1-806800 | Pin, Cotter 9/64 x 1 1/2 .....           | 2    |
| 24   | 3256-24  | Washer, 3/8 SAE.....                     | 4    |
| 25   | 116-0940 | Tie-Cable.....                           | 1    |
| 26   | 3219-1   | Nut, Hex 1/4-28 .....                    | 2    |
| 27   | 3257-42  | Key, Woodruff .....                      | 2    |

# BRAKE HANDLE ASSEMBLY – 116-1878

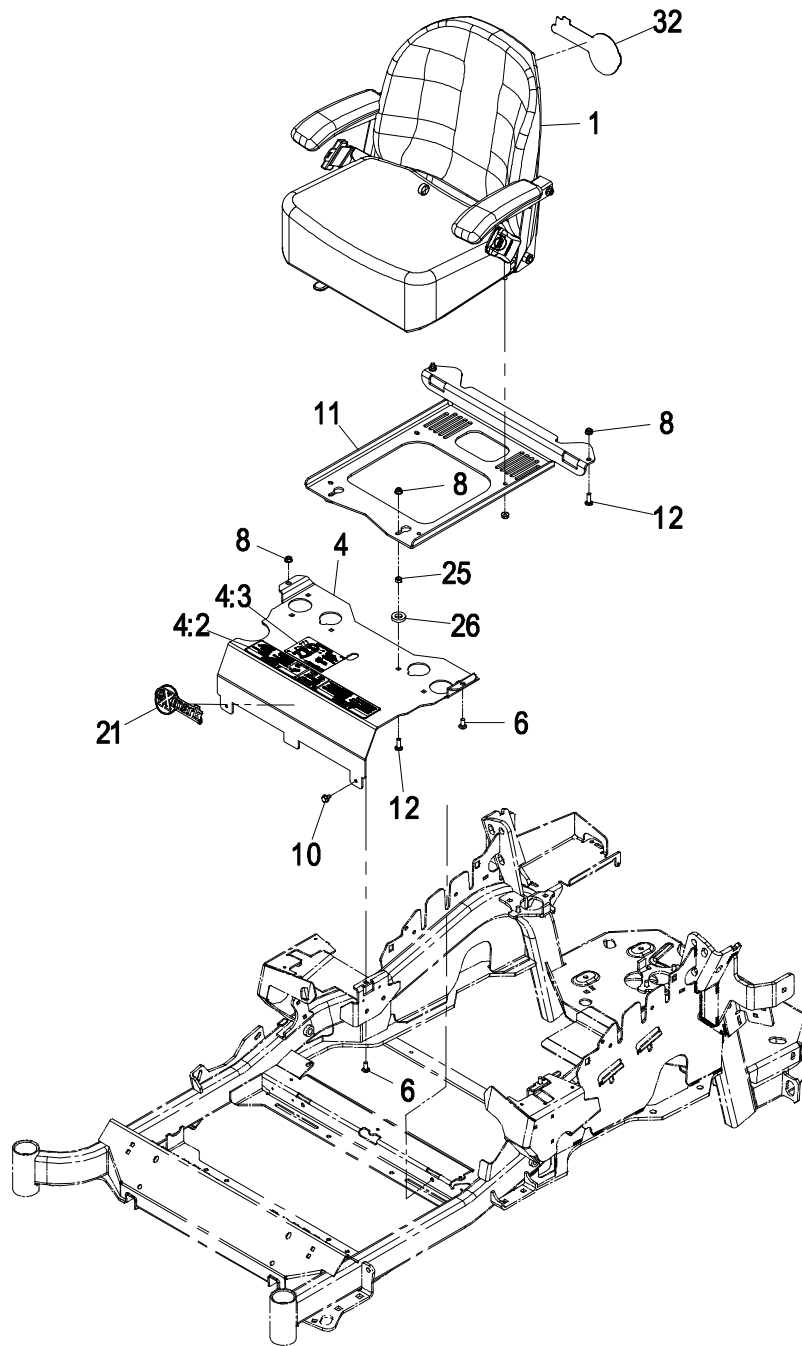


| Item | Part No.    | Description                | Qty. |
|------|-------------|----------------------------|------|
| 1    | 99-5107     | Nut, Lock 1/2-13 .....     | 1    |
| 2    | 117-0380    | Spacer .....               | 1    |
| 3    | 115-3580    | Arm-Brake, LH.....         | 1    |
| 4    | 117-0376    | Spring-Torsion, RH.....    | 1    |
| 5    | 115-3574    | Plate-Latch .....          | 1    |
| 6    | 104-7201    | Nut, Nyloc 1/4-20 Flg..... | 1    |
| 7    | 116-1876-03 | Brake Handle Asm .....     | 1    |
| 8    | 114-1207    | Washer-Special .....       | 1    |
| 9    | 114-8187    | Spring-Compression.....    | 1    |

| Item | Part No. | Description                           | Qty. |
|------|----------|---------------------------------------|------|
| 10   | 115-3581 | Rod-Release, Brake.....               | 1    |
| 11   | 115-3592 | Grip .....                            | 1    |
| 12   | 112-8387 | Bolt, HH Shoulder 1/4-20 x 1.64 ..... | 1    |
| 13   | 117-0375 | Spring-Torsion, LH.....               | 1    |
| 14   | 115-3579 | Arm-Brake, RH.....                    | 1    |
| 15   | 117-0379 | Bolt, Shoulder 1/2-13 x 5.57.....     | 1    |
| 16   | 3256-26  | Washer, 1/2 SAE.....                  | 1    |
| 17   | 115-2750 | Knob.....                             | 1    |

Exmark black touch up spray paint – gloss black.

# SEAT GROUP

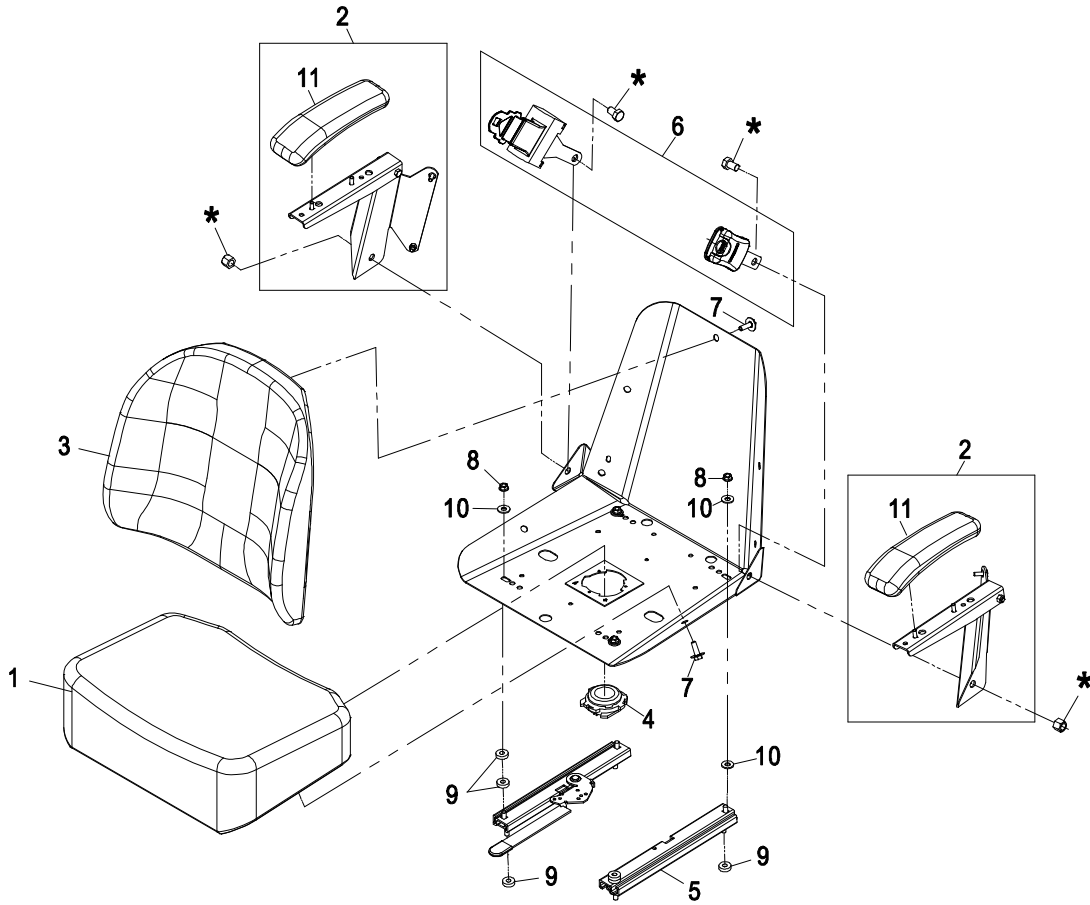


| Item | Part No. | Description                              | Qty. |
|------|----------|--|------|
| 1    | 116-3380 | Seat, Exmark .....                       | 1    |
| 4    | 116-2323 | Mount, Seat W/Decals .....               | 1    |
| 4:2  | 109-7069 | Decal, Console .....                     | 1    |
| 4:3  | 116-0211 | Decal, Service Aid .....                 | 1    |
| 6    | 3230-23  | Bolt, Carriage 5/16-18 x 3/4, short neck | 2    |
| 8    | 104-8300 | Nut, Nyloc 5/16-18 Flg.....              | 10   |
| 10   | 9266934  | Screw, HWH 5/16 x 1/2 TF .....           | 2    |

| Item | Part No.    | Description                        | Qty. |
|------|-------------|------------------------------------|------|
| 11   | 116-0192-03 | Plate, Seat Support .....          | 1    |
| 12   | 3230-22     | Bolt, Carriage 5/16-18 x 1 Sp..... | 4    |
| 21   | 103-2883    | Decal, Exmark Logo.....            | 1    |
| 25   | 3217-6      | Nut, Hex 5/16-18 .....             | 2    |
| 26   | 1-323539    | Spacer, Blade Drive .....          | 2    |
| 32   | 103-2882    | Decal, Exmark Logo.....            | 1    |

Exmark black touch up spray paint – gloss black

# SEAT W/TRACKS ASSEMBLY – 116-3380

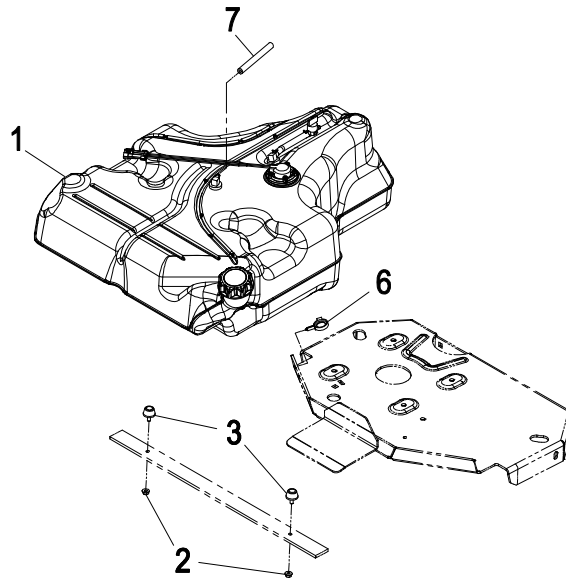


| Item | Part No. | Description                  | Qty. |
|------|----------|------------------------------|------|
| 1    | 116-2871 | Cushion-Seat.....            | 1    |
| 2    | 110-5719 | Armrest Kit W/Brackets ..... | 1    |
| 3    | 103-3520 | Cushion, Seat Back.....      | 1    |
| 4    | 116-2878 | Switch-Seat .....            | 1    |
| 5    | 1-643255 | Track-Seat .....             | 1    |
| 6    | 116-2981 | Seat Belt Kit .....          | 1    |

| Item | Part No. | Description                          | Qty. |
|------|----------|--------------------------------------|------|
| 7    | 103-8383 | Screw, HWH 1/4-20 x 3/4 Taptite..... | 7    |
| 8    | 32128-20 | Nut, Whizlock 5/16-18.....           | 4    |
| 9    | 26-4840  | Spacer-Pin, Mounting.....            | 8    |
| 10   | 3256-3   | Washer, 5/16 Std .....               | 6    |
| 11   | 110-4163 | Pad, Arm.....                        |      |

\* Included in items 2 and 6

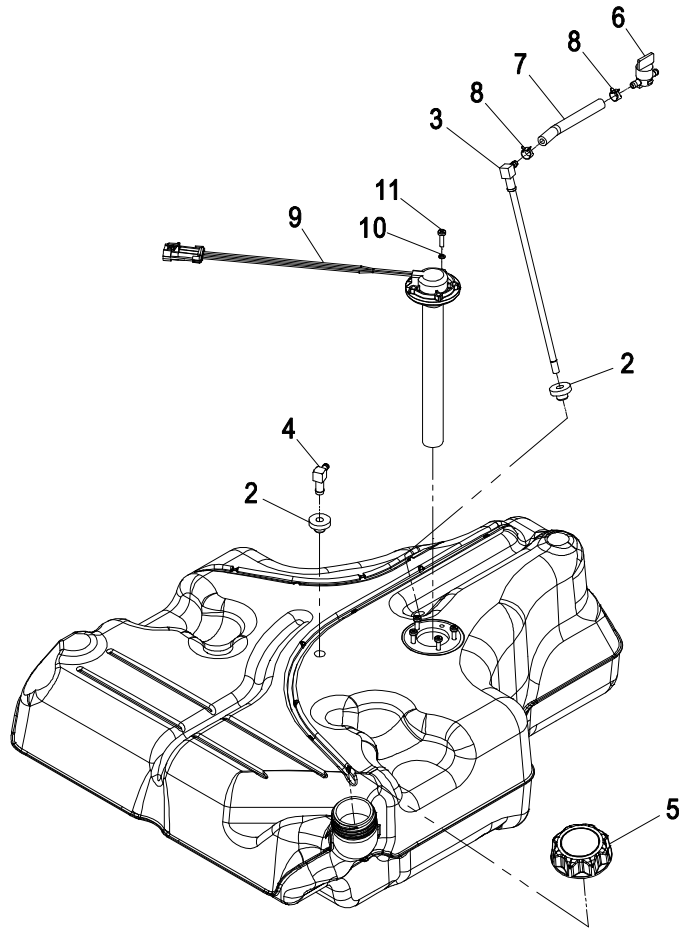
# FUEL TANK GROUP



| Item | Part No. | Description                 | Qty. |
|------|----------|-----------------------------|------|
| 1    | 116-2035 | Fuel Tank Asm .....         | 1    |
| 2    | 32128-33 | Nut, Whizlock 1/4-20 .....  | 2    |
| 3    | 109-2365 | Bumper-Rubber (W/Stud)..... | 2    |

| Item | Part No. | Description      | Qty. |
|------|----------|------------------|------|
| 6    | 105-1853 | Clamp-Hose ..... | 1    |
| 7    | 109-0678 | Hose.....        | 1    |

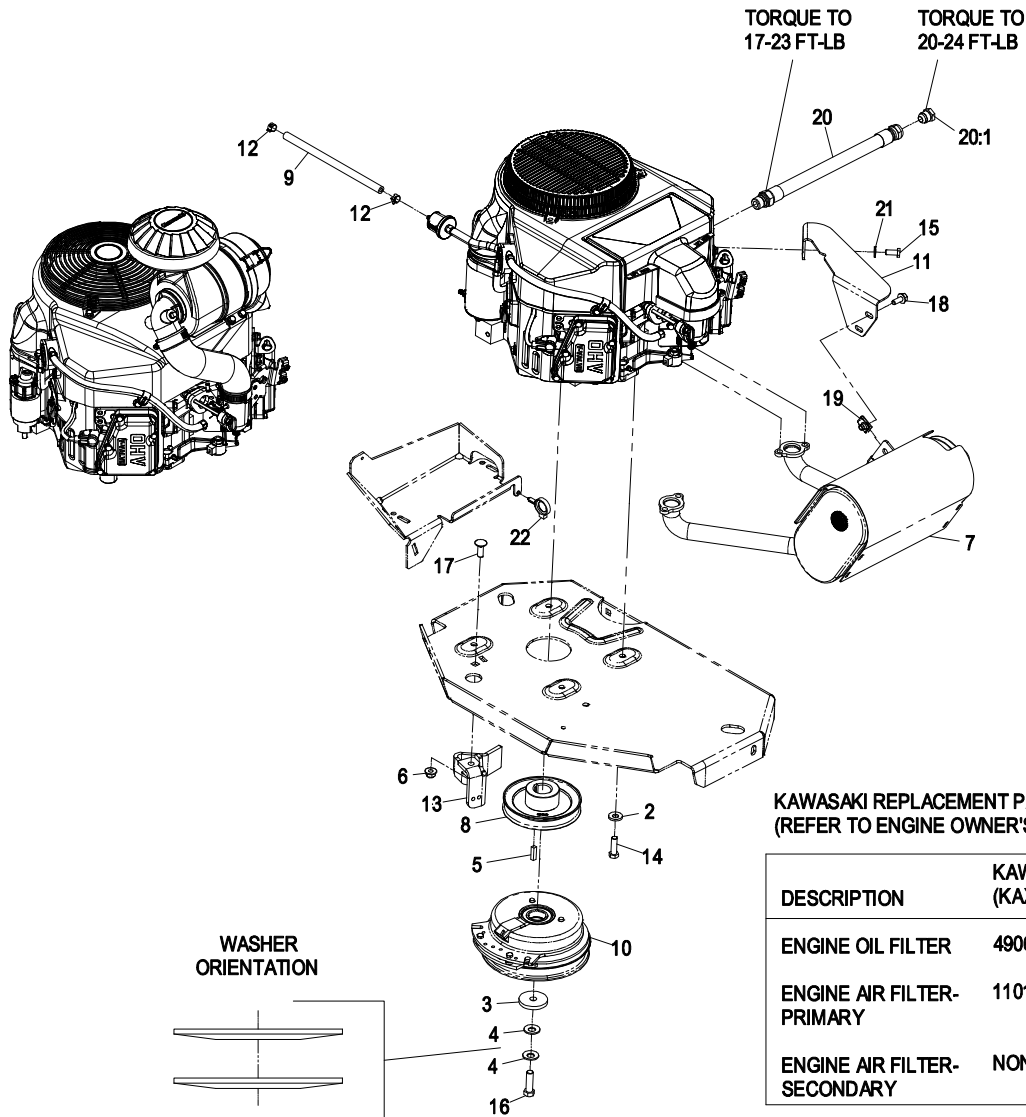
# FUEL TANK ASSEMBLY – 116-2035



| Item | Part No. | Description                       | Qty. |
|------|----------|-----------------------------------|------|
| 2    | 46-6560  | Bushing .....                     | 2    |
| 3    | 116-2459 | Kit, Fuel Line With Grommet ..... | 1    |
| 4    | 116-2288 | Fitting, 90 Elbow .....           | 1    |
| 5    | 116-2251 | Cap, Fuel .....                   | 1    |
| 6    | 1-603770 | Valve, Fuel .....                 | 1    |

| Item | Part No. | Description                  | Qty. |
|------|----------|------------------------------|------|
| 7    | 109-0650 | Hose, Fuel .....             | 1    |
| 8    | 2412-98  | Clamp, Hose .....            | 2    |
| 9    | 116-1981 | Sender, Fuel 8 Gal .....     | 1    |
| 10   | 3253-17  | Washer, Lock .....           | 5    |
| 11   | 9107944  | Screw, Pan 10-24 X 3/4 ..... | 5    |

# ENGINE GROUP – 20HP KAWASAKI



| DESCRIPTION                 | KAWASAKI PART (KAX) | KAWASAKI PART (KAS) |
|-----------------------------|---------------------|---------------------|
| ENGINE OIL FILTER           | 49065-7007          | 49065-7007          |
| ENGINE AIR FILTER-PRIMARY   | 11013-7048          | 11013-7049          |
| ENGINE AIR FILTER-SECONDARY | NONE                | 11013-7046          |

| Item | Part No. | Description                      | Qty. |
|------|----------|----------------------------------|------|
| 2    | 98-5975  | Washer, Spring Disc 3/8.....     | 4    |
| 3    | 109-6919 | Washer, Clutch .....             | 1    |
| 4    | 1-603610 | Washer, Spring Disc 7/16.....    | 2    |
| 5    | 1-807259 | Key, Machine 1/4 x 1/4 x 1 ..... | 1    |
| 6    | 104-8301 | Nut, Nyloc 3/8-16 Flg.....       | 1    |
| 7    | 116-2117 | Muffler.....                     | 1    |
| 8    | 116-1946 | Sheave, Pump Drive .....         | 1    |
| 9    | 110-3447 | Hose, Fuel .....                 | 1    |
| 10   | 116-1947 | Clutch .....                     | 1    |
| 11   | 116-2157 | Bracket, Muffler .....           | 1    |
| 12   | 2412-98  | Clamp, Hose.....                 | 2    |

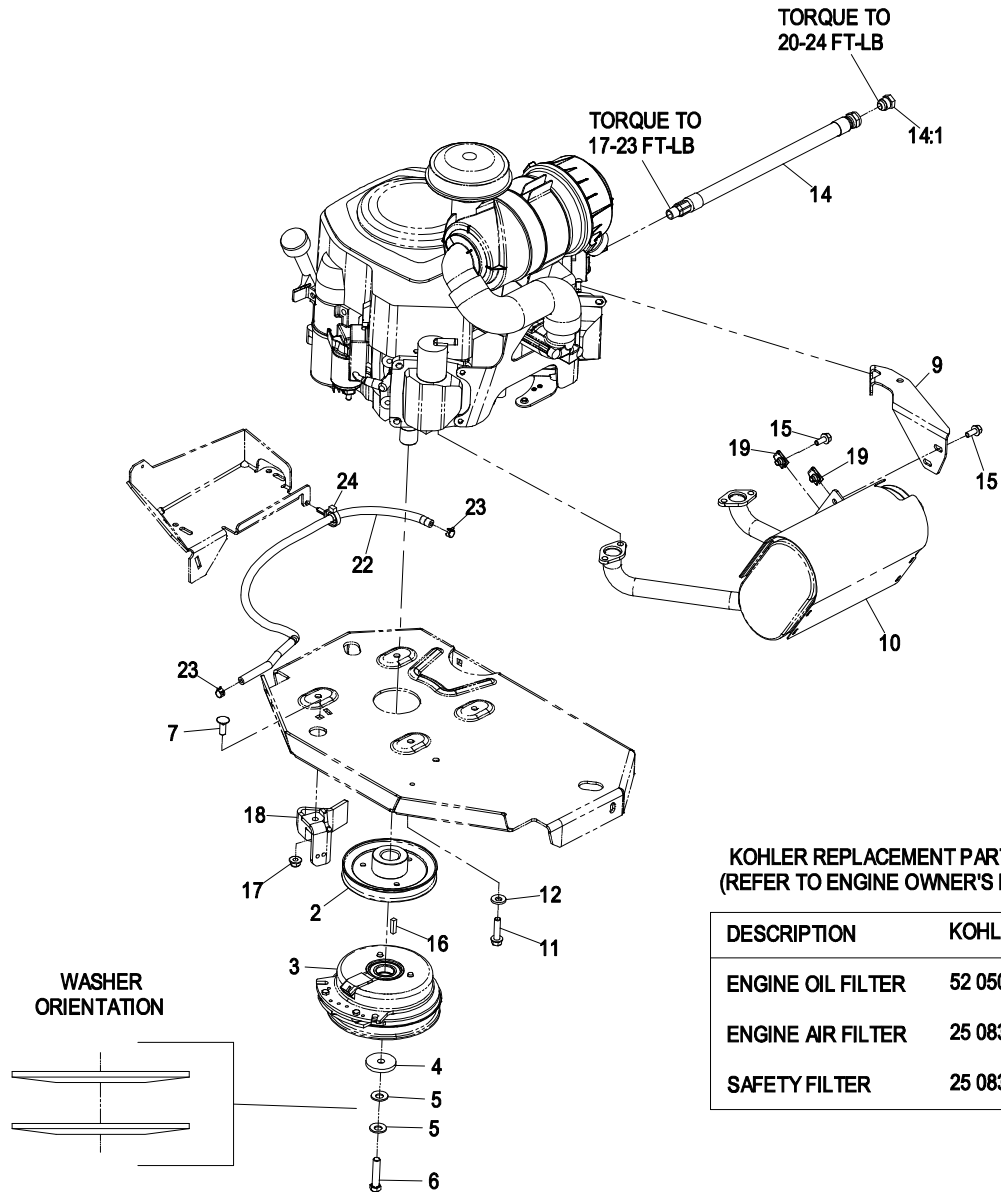
| Item | Part No.    | Description                              | Qty. |
|------|-------------|--|------|
| 13   | 116-2612-01 | Clutch, Anchor .....                     | 1    |
| 14   | 323-7       | Screw, HH 3/8-16 x 1 1/4.....            | 4    |
| 15   | 33114-020   | Screw, HH M8-1.25 x 20mm.....            | 1    |
| 16▲  | 109-9761    | Screw, HH 7/16-20 x 1 1/2 W/Loctite..... | 1    |
| 17   | 3231-22     | Bolt, Carriage 3/8-16 x 1 .....          | 1    |
| 18   | 3234-5      | Screw, HH FLG 5/16-18 x 3/4.....         | 2    |
| 19   | 94-2413     | U-Nut.....                               | 2    |
| 20   | 109-4490    | Asm, Oil Drain Hose W/Plug.....          | 1    |
| 20:1 | 109-1012    | Plug.....                                | 1    |
| 21   | 1-303334    | Washer, Spring .....                     | 1    |
| 22   | 105-1853    | Clamp, Hose .....                        | 1    |

Exmark red touch up paint (spray paint – P/N 1-850337 - .6 oz liquid bottle – P/N 103-9140)

▲ Use Pro-Lock, Nut Type (P/N 1-840022, .5ml tube) on clutch bolt.



# ENGINE GROUP – 27HP KOHLER



| Item | Part No.  | Description                             | Qty. |
|------|-----------|---|------|
| 2    | 109-9905  | Sheave .....                            | 1    |
| 3    | 116-1620  | Kit, Clutch CMS 200 .....               | 1    |
| 4    | 109-6919  | Washer, Clutch .....                    | 1    |
| 5    | 1-603610  | Washer, Spring Disc 7/16.....           | 2    |
| 6▲   | 109-9762  | Screw, HH 7/16-20 x 2 W/Loctite .....   | 1    |
| 7    | 3231-22   | Bolt, Carriage 3/8-16 x 1.....          | 1    |
| 9    | 116-2360  | Bracket, Muffler .....                  | 1    |
| 10   | 116-1713  | Muffler.....                            | 1    |
| 11   | 32144-102 | Screw, HWH 3/8-16 X 1 1/2 Taptite ..... | 4    |
| 12   | 98-5975   | Washer, Spring Disc 3/8.....            | 4    |
| 14+  | 116-0013  | Asm, Oil Drain Hose.....                | 1    |

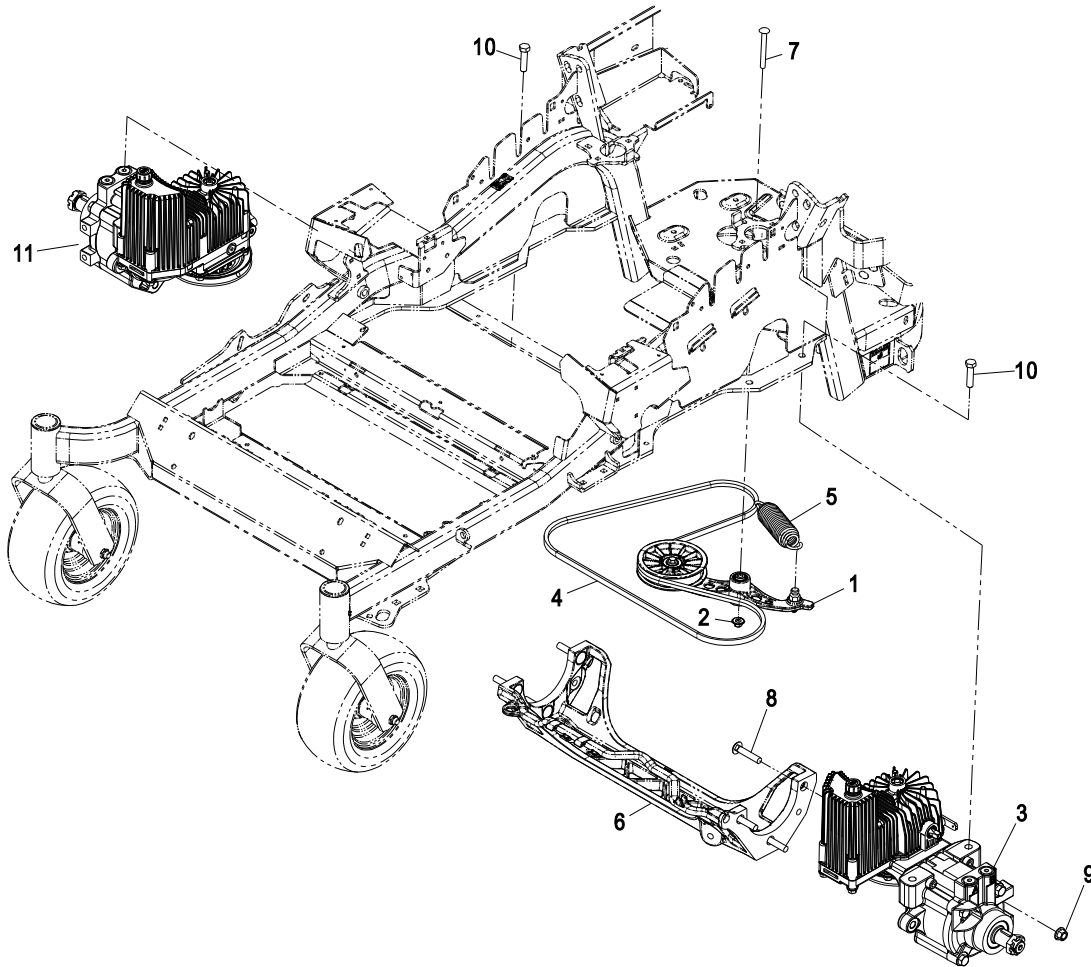
| Item | Part No.    | Description                       | Qty. |
|------|-------------|-----------------------------------|------|
| 14:1 | 109-1012    | Plug.....                         | 1    |
| 15   | 3234-5      | Screw, HH FLG 5/16-18 x 3/4 ..... | 3    |
| 16   | 1-807259    | Key, Machine 1/4 x 1/4 x 1.....   | 1    |
| 17   | 104-8301    | Nut, Nyloc 3/8-16 Flg .....       | 2    |
| 18   | 116-2612-01 | Anchor, Clutch.....               | 1    |
| 19   | 94-2413     | U-Nut.....                        | 3    |
| 22   | 109-0286    | Hose, Fuel Line 35".....          | 1    |
| 23   | 2412-98     | Clamp, Hose .....                 | 2    |
| 24   | 105-1853    | Clamp, Hose .....                 | 1    |
| 27   | 1-303435    | Washer, Spring Disc 1/4 .....     | 1    |
| 28   | 33113-020   | Screw, HH M6-1 x 12mm.....        | 1    |

Exmark red touch up paint (spray paint – P/N 1-850337 - .6 oz liquid bottle – P/N 103-9140)

✚ Use Teflon Pipe Sealant or equivalent on threads.

▲ Use Pro-Lock, Nut Type (P/N 1-840022, .5ml tube) on clutch bolt.

# HYDRAULIC GROUP



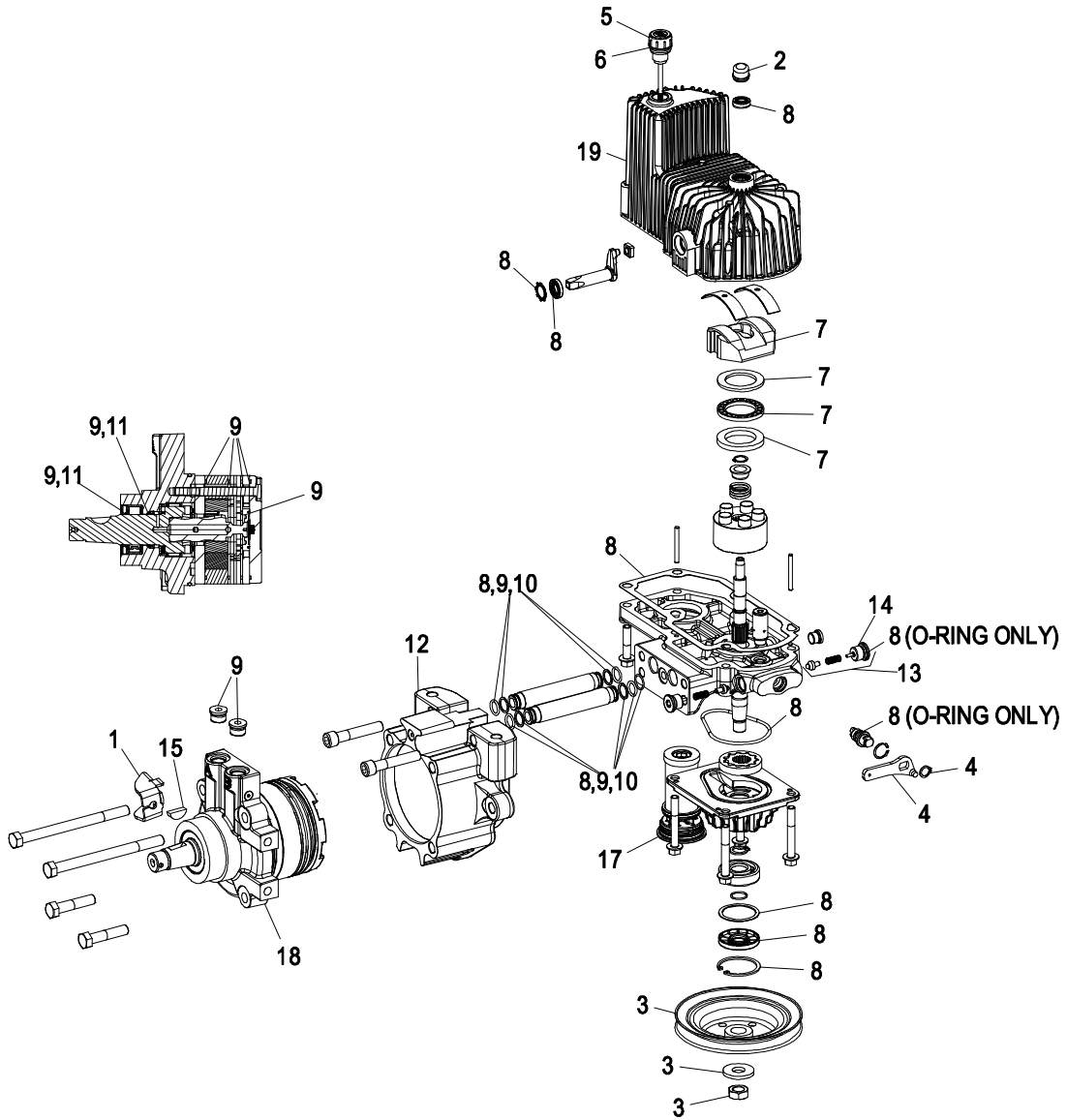
| Item | Part No. | Description                 | Qty. |
|------|----------|-----------------------------|------|
| 1    | 116-1255 | Asm, Pump Idler .....       | 1    |
| 2    | 109-6658 | Nut, Nyloc 3/8-16 Flg.....  | 1    |
| 3    | 116-2976 | Hydro, LH 12CC No Fan ..... | 1    |
| 4    | 116-1953 | Belt, V .....               | 1    |
| 5    | 116-0133 | Spring, Extension .....     | 1    |
| 6    | 109-9375 | Cradle, Machined Hydro..... | 1    |
| 7    | 116-1502 | Bolt-Carriage .....         | 1    |

| Item | Part No. | Description                             | Qty. |
|------|----------|---|------|
| 8    | 3233-34  | Bolt, Carriage 1/2-13 x 2 1/2 .....     | 6    |
| 9    | 99-5107  | Nut, Lock 1/2-13.....                   | 6    |
| 10   | 325-8    | Screw, HH 1/2-13 x 1 1/4.....           | 4    |
| 11   | 116-2977 | Hydro, RH 12CC No Fan .....             | 1    |
| 12+  | 109-9828 | Oil, Exmark Premium Hydro (32 oz) ..... | 4    |
| 13+  | 116-1218 | Oil, Exmark Premium Hydro (1 gal) ..... | 1    |
| ■+   | 116-3282 | Kit, Hydro Service .....                | 1    |

⊕ Not shown

■ Kit contains: (1) V-Belt, (4) Exmark Premium Hydro Oil 32 oz Bottles, and (2) Hydro filters

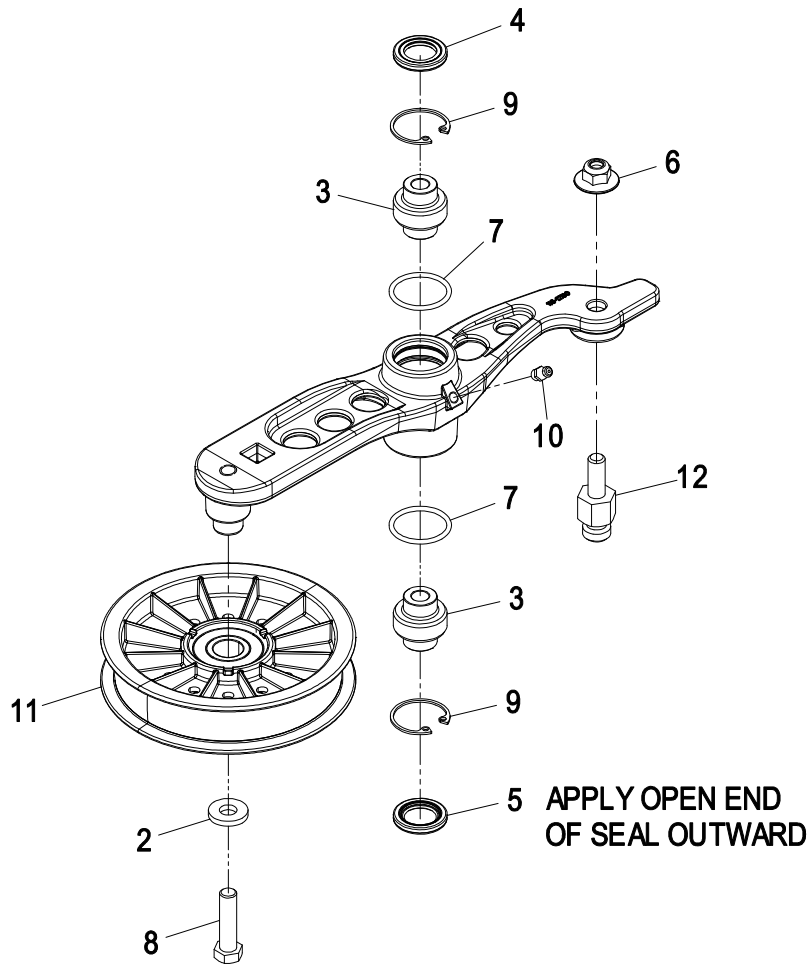
# HYDRAULIC GROUP



| Item | Part No. | Description                     | Qty. |
|------|----------|---------------------------------|------|
| 1    | 116-1758 | Bracket, Anchor Cable .....     | 1    |
| 2    | 116-3052 | Cover, Shaft.....               | 1    |
| 3    | 116-0234 | Kit, Pulley Hydro .....         | 1    |
| 4    | 116-0235 | Handle, Bypass Valve Hydro..... | 1    |
| 5    | 116-0236 | Dipstick, Hydro W/Gasket.....   | 1    |
| 6    | 116-0237 | Gasket, Dipstick Hydro .....    | 1    |
| 7    | 116-1367 | Kit, Swash Block Hydro .....    | 1    |
| 8    | 116-1368 | Kit, Pump Seal Hydro .....      | 1    |
| 9    | 116-1369 | Kit, Motor Seal Hydro .....     | 1    |
| 10   | 116-1370 | Kit, Tube Seal Hydro .....      | 1    |

| Item | Part No. | Description                        | Qty. |
|------|----------|------------------------------------|------|
| 11   | 116-1371 | Kit, Output Shaft Seal Hydro ..... | 1    |
| 12   | 116-2992 | Cup, Nose Hydro.....               | 1    |
| 13   | 116-1630 | Asm, Check Valve.....              | 1    |
| 14   | 116-1631 | Check Plug W/O-Ring .....          | 1    |
| 15   | 3257-42  | Key, Woodruff 5/16 x 1.....        | 1    |
| 17   | 116-0164 | Filter, Hydro.....                 | 1    |
| 18   | 116-3050 | Motor, Wheel LH – Dry 240cc.....   | 1    |
|      | 116-3051 | Motor, Wheel RH – Dry 240cc .....  | 1    |
| 19   | 116-3287 | Housing, LH .....                  | 1    |
|      | 116-3288 | Housing, RH.....                   | 1    |

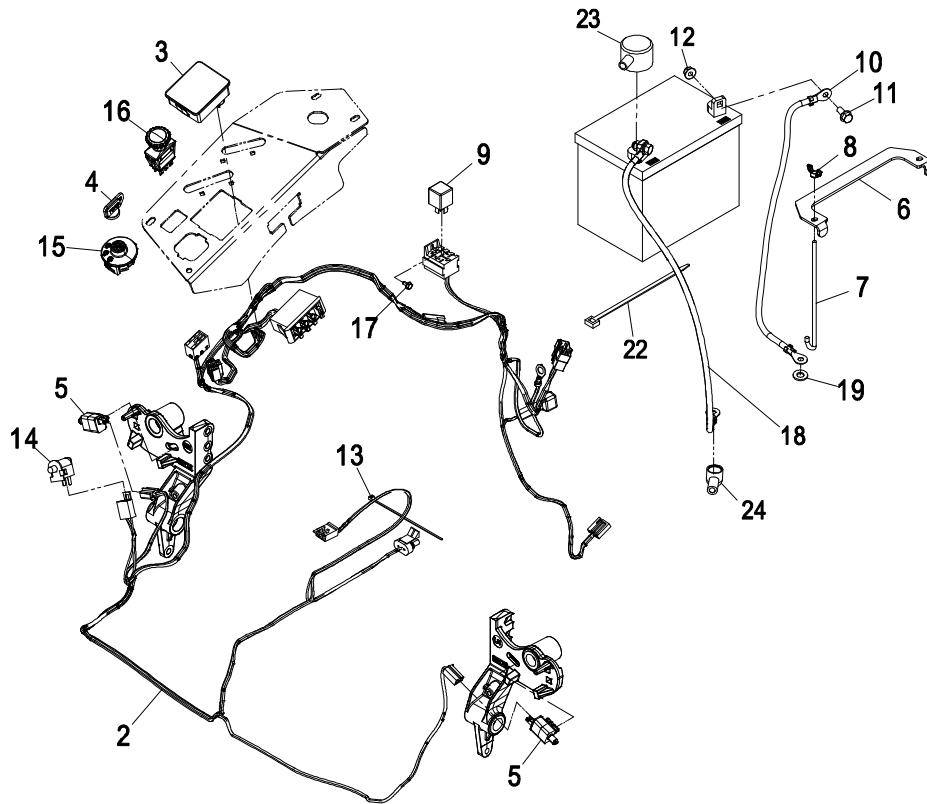
# PUMP IDLER ASSEMBLY – 116-1255



| Item | Part No. | Description                | Qty. |
|------|----------|----------------------------|------|
| 2    | 43-0940  | Spacer-Hub, Blower .....   | 1    |
| 3    | 103-3504 | Bearing, Spherical .....   | 2    |
| 4    | 103-3505 | Seal, Double Lip .....     | 1    |
| 5    | 103-3506 | Seal, Single Lip .....     | 1    |
| 6    | 109-6658 | Nut, Nyloc 3/8-16 Flg..... | 1    |
| 7    | 106-7159 | O-Ring.....                | 2    |

| Item | Part No. | Description                       | Qty. |
|------|----------|-----------------------------------|------|
| 8    | 323-8    | Screw, HH 3/8-16 x 1 1/2.....     | 1    |
| 9    | 32120-10 | Ring, Retaining.....              | 2    |
| 10   | 302-19   | Zerk, 1/4-28 Str .....            | 1    |
| 11   | 109-8076 | Pulley, Idler 5" X 1" Nylon ..... | 1    |
| 12   | 109-7399 | Pin, Spring Anchor .....          | 1    |

# ELECTRICAL GROUP



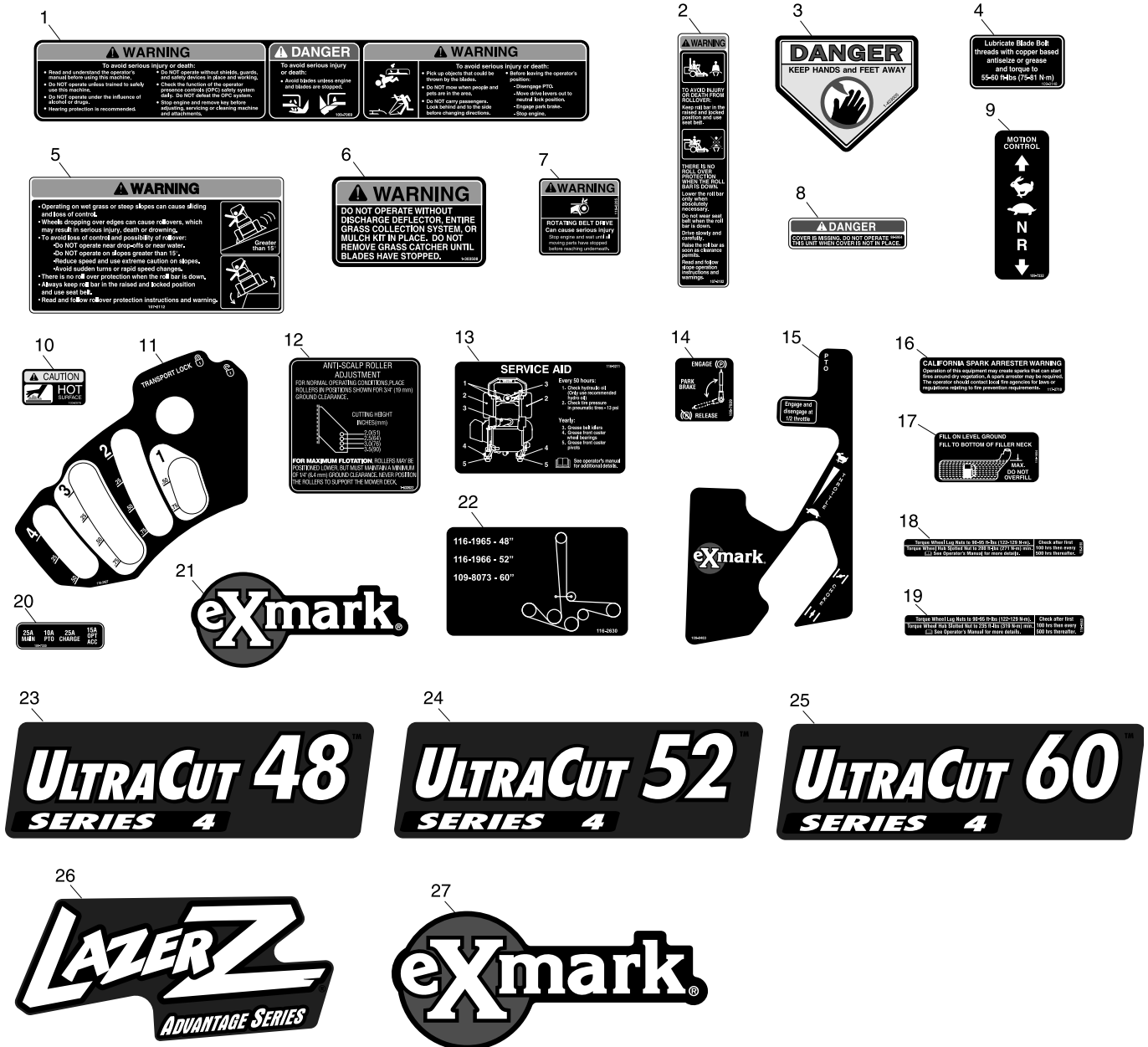
| Item | Part No.    | Description                           | Qty. |
|------|-------------|---------------------------------------|------|
| 2▲   | 115-2796    | Harness-Wire, Main (Air-Cooled) ..... | 1    |
| 2:1  | 103-3895    | Diode-TVS .....                       | 1    |
| 2:2  | 218-578     | Fuse-10 Amp .....                     | 1    |
| 2:3  | 109355      | Fuse-15 Amp .....                     | 1    |
| 2:4  | 109102      | Fuse-25 Amp .....                     | 2    |
| 2:5  | 116-0053    | Cap-Plug .....                        | 1    |
| 3    | 116-0916    | Fuel/Hour Meter Asm .....             | 1    |
| 4    | 1-603511    | Key, Ignition .....                   | 1    |
|      | 103-2106    | Key, Exmark Logo .....                | 1    |
| 5    | 110-6765    | Switch-Single Pole N.O. ....          | 2    |
| 6    | 116-0042-03 | Strap-Tie Down, Battery .....         | 1    |
| 7    | 1-633651    | Bolt-Holddown .....                   | 2    |
| 8    | 1-543792    | Wingnut, Nyloc 1/4-20 .....           | 2    |
| 9    | 1-643275    | Relay, 12VDC 40 Amp .....             | 1    |

| Item | Part No. | Description                       | Qty. |
|------|----------|-----------------------------------|------|
| 10   | 114-1218 | Cable-Battery, Negative .....     | 1    |
| 11   | 3234-5   | Screw, HH FLG 5/16-18 x 3/4 ..... | 2    |
| 12   | 104-8300 | Nut, Nyloc 5/16-18 Flg .....      | 2    |
| 13   | 1-303287 | Tie, Cable 5 1/2 (Small) .....    | 3    |
| 14   | 82-2190  | Switch .....                      | 1    |
| 15   | 116-0229 | Switch, Ignition .....            | 1    |
| 16   | 116-0124 | Switch, PTO 10A .....             | 1    |
| 17   | 104-2065 | Screw, HWH #10-24 x 3/8 .....     | 1    |
| 18   | 115-3864 | Cable-Battery, Positive .....     | 1    |
| 19   | 3256-24  | Washer, 3/8 SAE .....             | 1    |
| 22   | 1-303335 | Tie, Cable 7 15/16 (Large) .....  | 1    |
| 23   | 109-2407 | Insulator, Solenoid .....         | 1    |
| 24   | 1-543393 | Insulator, Battery .....          | 1    |

Exmark black touch up spray paint - gloss black.

▲ Use dielectric grease on all wiring harness connectors.

# DECAL GROUP

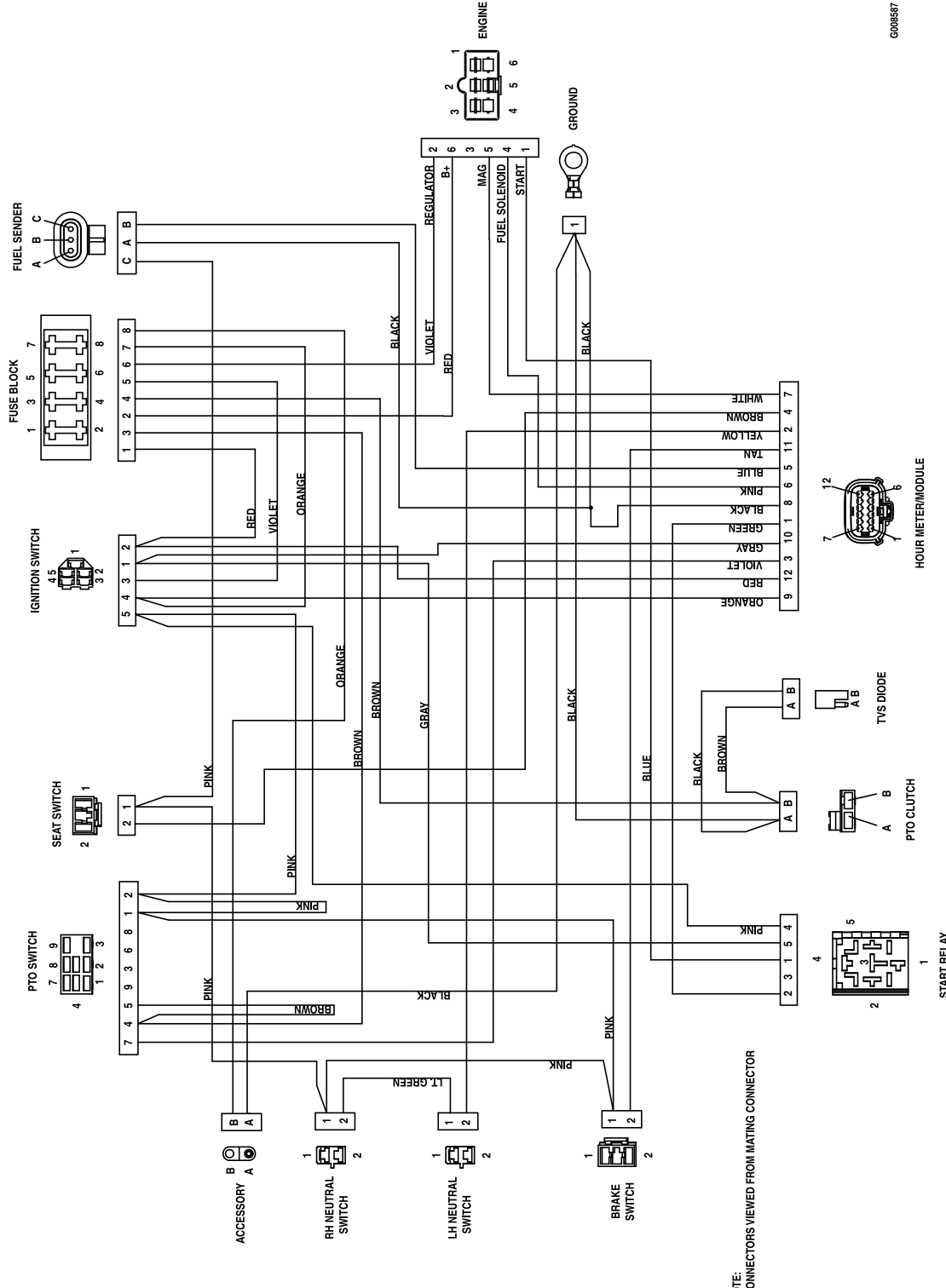


| Item | Part No. | Description                   | Qty. |
|------|----------|-------------------------------|------|
| 1    | 109-7069 | Decal, Console .....          | 1    |
| 2    | 107-2102 | Decal, ROPS Folding .....     | 1    |
| 3    | 1-403005 | Decal, Danger.....            | 2    |
| 4    | 109-3148 | Decal, Bolt Torque.....       | 1    |
| 5    | 107-2112 | Decal, Warning Slope.....     | 1    |
| 6    | 1-303508 | Decal, Discharge Warning..... | 1    |
| 7    | 116-0205 | Decal, Belt Drive.....        | 2    |
| 8    | 98-5954  | Decal, Danger.....            | 2    |
| 9    | 109-7232 | Decal, Motion Control.....    | 2    |
| 10   | 103-2076 | Decal, Hot Surface .....      | 3    |
| 11   | 116-2927 | Decal, Cut of Height .....    | 1    |
| 12   | 1-633922 | Decal, Anti-Scalp .....       | 1    |
| 13   | 116-0211 | Decal, Service Aid .....      | 1    |
| 14   | 109-7929 | Decal, Park Brake .....       | 1    |

| Item | Part No. | Description                      | Qty. |
|------|----------|----------------------------------|------|
| 15   | 109-8483 | Decal, Control Panel .....       | 1    |
| 16   | 117-2718 | Decal, Spark Arrester.....       | 1    |
| 17   | 116-1654 | Decal, Fuel Fill .....           | 1    |
| 18   | 116-0165 | Decal, Wheel Hub .....           | 2    |
| 19   | 116-2643 | Decal, Wheel Hub .....           | 2    |
| 20   | 109-7330 | Decal, Fuse .....                | 1    |
| 21   | 103-2883 | Decal, Exmark Logo.....          | 2    |
| 22   | 116-2630 | Decal, Belt Routing .....        | 1    |
| 23   | 116-0033 | Decal, UltraCut 48 Series 4..... | 1    |
| 24   | 116-0034 | Decal, UltraCut 52 Series 4..... | 1    |
| 25   | 109-9439 | Decal, UltraCut 60 Series 4..... | 1    |
| 26   | 116-0026 | Decal, Lazer AS .....            | 1    |
| 27   | 103-2882 | Decal, Exmark Logo.....          | 1    |

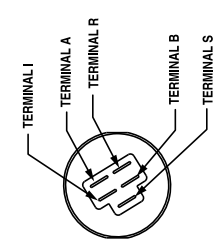
# ELECTRICAL DIAGRAM

G106587



IGNITION SWITCH

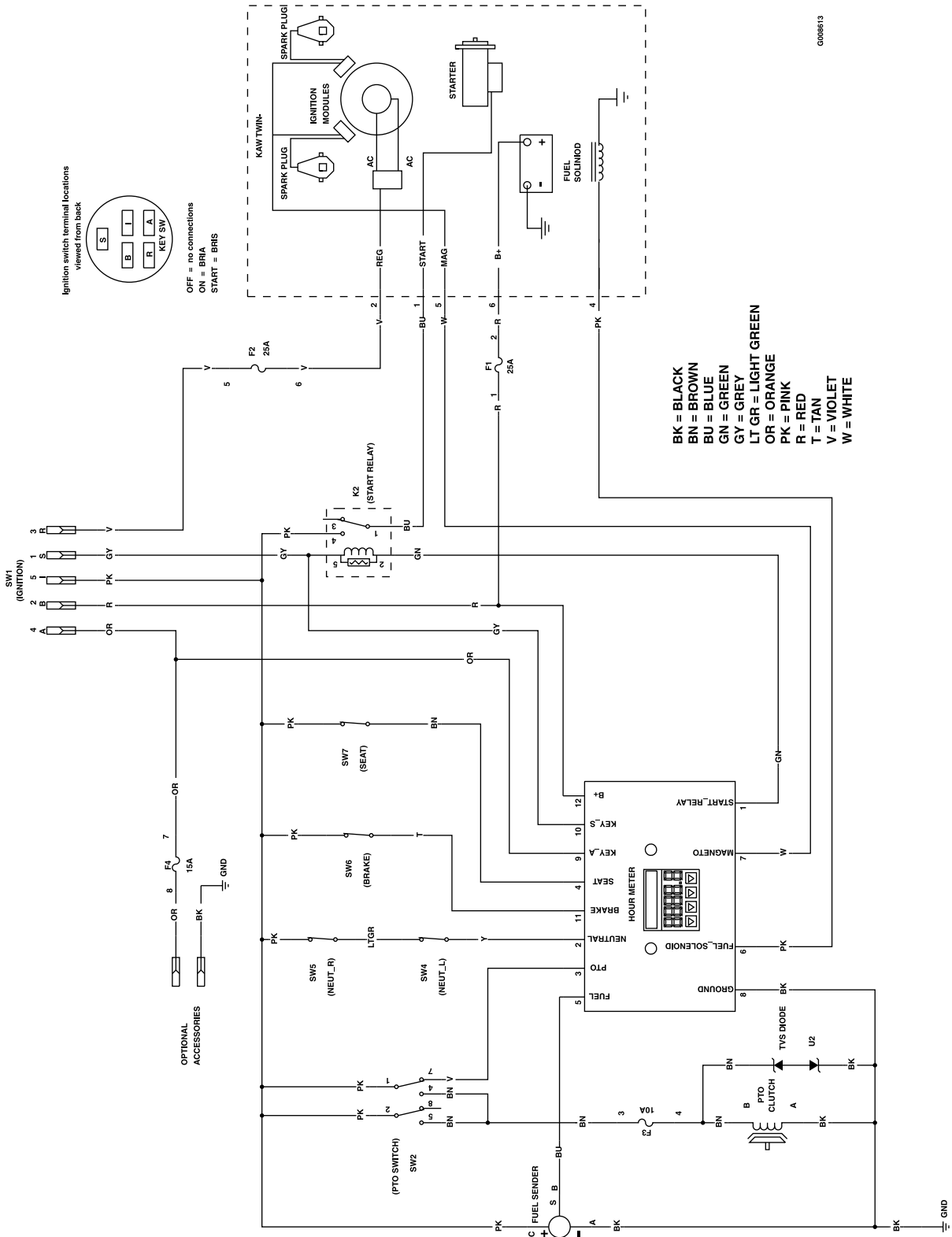
| TERMINAL   | CONNECTIONS |
|------------|-------------|
| TERMINAL A | ACCESSORY   |
| TERMINAL B | BATTERY     |
| TERMINAL I | IGNITION    |
| TERMINAL R | RECTIFIER   |
| TERMINAL S | START       |



| POSITION | CIRCUIT "MAKE" |
|----------|----------------|
| 1. OFF   | NONE           |
| 2. RUN   | B + R + I + A  |
| 3. START | B + R + I + S  |

NOTE: CONNECTORS VIEWED FROM MATING CONNECTOR

# ELECTRICAL LOGIC SCHEMATIC



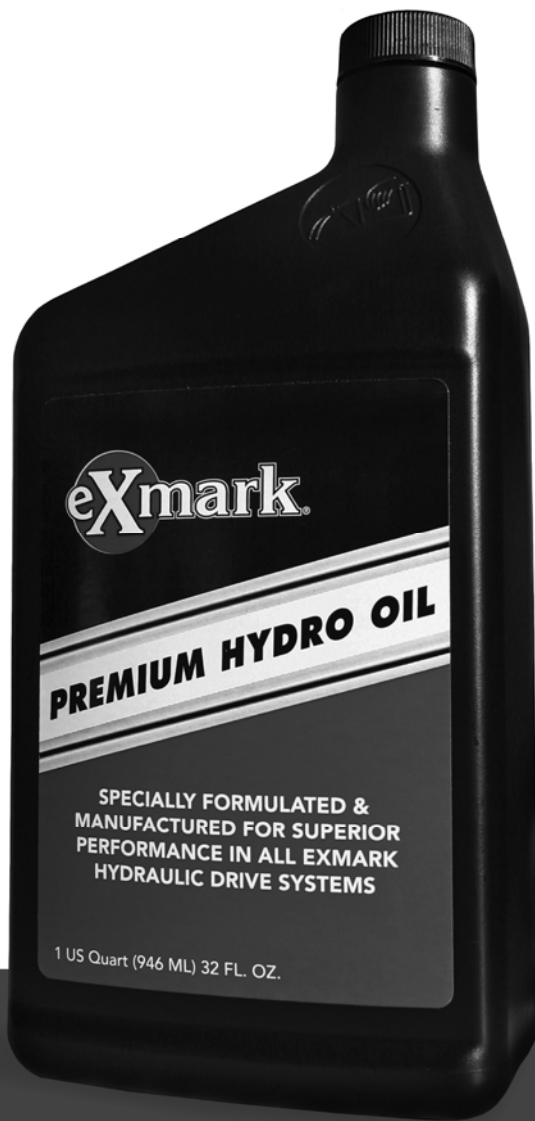
CG08613



## NOTES



# NEW EXMARK PREMIUM HYDRO OIL



## BENEFITS

- Designed & manufactured with superior anti-wear protection
- Superior thermal stability
- Consistent hydro performance
- Superior shear resistance under heavy loads
- Field tested & proven performance
- Twice the shear stability of competing oils
- Enhanced control performance
- Specially formulated for any Exmark hydraulic system

**NOW AVAILABLE  
FOR PURCHASE**

Part No. 109-9828



# SEE EXMARK'S COMPLETE LINE OF ACCESSORIES

## MID-MOUNT RIDING ACCESSORIES

|                                    |                                    |
|------------------------------------|------------------------------------|
| CUSTOM RIDE SEAT SUSPENSION SYSTEM | OPERATOR CONTROLLED DISCHARGE      |
| FULL SUSPENSION SEAT               | ROLL OVER PROTECTION SYSTEM (ROPS) |
| DECK LIFT ASSIST KIT               | SUN SHADE                          |
| HITCH KIT                          | TRASH CONTAINER                    |
| LIGHT KIT                          | TURF STRIPER                       |
| 12V POWER PORT                     | ULTRA VAC COLLECTION SYSTEM        |
| MICRO-MULCH SYSTEM                 | ULTRA VAC QUICK DISPOSAL SYSTEM    |

## OUT-FRONT RIDING ACCESSORIES

|                                    |                                 |
|------------------------------------|---------------------------------|
| CUSTOM RIDE SEAT SUSPENSION SYSTEM | SNOW BLADE                      |
| DUAL-TAIL WHEEL                    | SNOWBLOWER                      |
| FLOOR PAN EXTENDER                 | SUN SHADE                       |
| HITCH KIT                          | TRASH CONTAINER                 |
| LIGHT KIT                          | ULTRA VAC COLLECTION SYSTEM     |
| MICRO-MULCH SYSTEM                 | ULTRA VAC QUICK DISPOSAL SYSTEM |
| ROLL OVER PROTECTION SYSTEM (ROPS) | WEATHER CAB                     |

## WALK-BEHIND ACCESSORIES

|                    |              |
|--------------------|--------------|
| GRASS CATCHER      | TURF STRIPER |
| MICRO-MULCH SYSTEM | STANDON      |

Place Model No. and Serial No.  
Label Here (Included in the Literature  
Pack or Fill in Below

Model No. \_\_\_\_\_

Serial No. \_\_\_\_\_

Date Purchased \_\_\_\_\_

Engine Model No. and Spec. No. \_\_\_\_\_

Engine Serial No. (E/No) \_\_\_\_\_

© 2011 Exmark Mfg. Co., Inc.  
Industrial Park Box 808  
Beatrice, NE 68310  
All Rights Reserved

Part No. 4500-567 Rev. D  
(402) 223-6300  
Fax (402) 223-5489  
Printed In USA



[www.exmark.com](http://www.exmark.com)

## Free Manuals Download Website

<http://myh66.com>

<http://usermanuals.us>

<http://www.somanuals.com>

<http://www.4manuals.cc>

<http://www.manual-lib.com>

<http://www.404manual.com>

<http://www.luxmanual.com>

<http://aubethermostatmanual.com>

Golf course search by state

<http://golfingnear.com>

Email search by domain

<http://emailbydomain.com>

Auto manuals search

<http://auto.somanuals.com>

TV manuals search

<http://tv.somanuals.com>