

OCD01

(Operator Controlled Discharge
for Series 4 & 5 Decks)

OPERATOR'S & PARTS MANUAL

EXMARK PARTS PLUS® PROGRAM

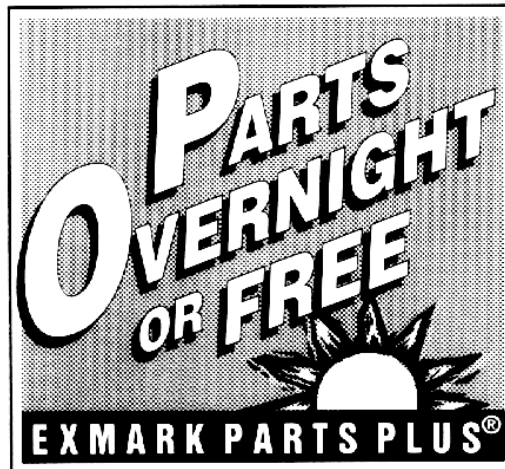
EFFECTIVE DATE: September 1, 1995

Program

If your Exmark dealer does not have the Exmark part in stock, Exmark will get the parts to the dealer the next business day or the part will be FREE* Guaranteed!!

How the Program Works

1. If dealer does not have part in stock for a "down" unit at the time of request by customer, the dealer contacts his distributor by 1:00 p.m., local time, and requests Exmark Parts Plus® shipment of six (6) line items or less.
2. Distributor ships part(s) to dealer or customer, as requested by dealer, same day, overnight UPS. Distributor bills dealer for part and freight charges where applicable.
3. If distributor does not have the part(s) in stock to satisfy Exmark Parts Plus® order, he contacts Exmark by 3:00 p.m., central time, with an Exmark Parts Plus® order of six (6) line items or less.
4. If order is received by 3:00 p.m. central time, Exmark ships part(s) direct to dealer or customer, as requested by distributor, same day, overnight UPS, Exmark bills the distributor for parts and shipping charges, where applicable.
5. The customer pays for the part and freight if it is shipped under the Exmark Parts Plus® and if it arrives in accordance to the program.
6. Who pays for the part and freight if it fails to arrive overnight in accordance to the program?
 - A. Under any circumstance the customer does not pay.
 - B. If the part does not arrive overnight due to:
 1. The dealer not submitting the Exmark Parts Plus® order to his Exmark distributor by 1:00 p.m., the dealer pays for the part and freight.
 2. The Distributor being unable to ship the part the same day or not submitting the Exmark Parts Plus® order to Exmark by 3:00 p.m., central time, the Distributor pays for the part and freight.
 3. Exmark being unable to ship the part and the Exmark parts order is received by 3:00 p.m., central time, Exmark pays for the part and freight.
 4. If the part does not arrive overnight due to the shipper (UPS), the shipper pays for the freight and Exmark pays for the part.



The following restrictions apply -- The Exmark Parts Plus® Program is available only through participating Exmark Dealers and applies only to orders submitted on this program Monday through Thursday. Parts Plus service is available only in the 48 contiguous United States. UPS has initiated a Saturday delivery program to many areas of the continental United States and can be requested for an overnight shipment on Friday to be delivered Saturday. The next day air charge, plus the Saturday delivery fee will be the responsibility of the purchaser. Exmark Mfg. will assume no responsibility for Saturday delivery shipments. To qualify, all Exmark Parts Plus® orders must be received by Exmark by 3:00 p.m., central time. Orders must be six (6) line items or less. Exclusions from the Exmark Parts Plus® Program are: Any wholegood or accessory in its entirety, engines and engine replacement parts, 5-speed Peerless transmissions and 5-speed transaxles, hydraulic or hydrostatic wheel motors, cutter decks and engine decks or any item exceeding United Parcel Service size and weight restrictions.

Due to UPS restrictions, aerosol spray paint is considered a hazardous material and cannot be shipped via UPS next day or Second Day Air.

Exmark Manufacturing stocks a limited supply of parts for transaxles, pumps and wheel motors. These parts can be ordered for Next Day Air shipment but will not be guaranteed per the Parts Plus Program.

OPERATOR'S MANUAL

This manual contains assembly, operating, maintenance, adjustment, and safety instructions for your Exmark OCD01.

BEFORE OPERATING YOUR MOWER, CAREFULLY READ THIS MANUAL IN ITS ENTIRETY.

By following the operating, maintenance, and safety instructions, you will prolong the life of your mower, maintain its maximum efficiency, and promote safe operation.

If additional information is needed, or should you require trained mechanic service, contact your authorized Exmark equipment dealer or distributor.

All Exmark equipment dealers and distributors are kept informed of the latest methods of servicing and are equipped to provide prompt and efficient service in the field or at their service stations. They carry ample stock of service parts or can secure them promptly for you from the factory.


All Exmark parts are thoroughly tested and inspected before leaving the factory; however, attention is required on your part if you are to obtain the fullest measure of satisfaction and performance.

TABLE OF CONTENTS

	PAGE
1. SAFETY	
1.1 Safety Alert Symbol	1
1.2 Training	1
1.3 Preparation.....	1-2
1.4 Operation	2
1.5 Safety Signs	2-3
2. SPECIFICATIONS	
2.1 Model Number	3
3. ASSEMBLY INSTRUCTIONS	
3.1 Assembly Diagram	4
3.2 Installation	5-13
4. OPERATION	
4.1 Opening the Discharge Gate	14-15
4.2 Closing the Discharge Gate	15
5. ADJUSTMENTS	16
6. TROUBLESHOOTING	16
7. PARTS LIST	
7.1 OCD01 Assembly	17
7.2 Gate Linkage Assembly	18
7.3 Foot Pedal Assembly	19
8. WARRANTY	20

1. SAFETY

1.1 SAFETY ALERT SYMBOL

This SAFETY ALERT SYMBOL  is used both in this manual and on the machine to identify important safety messages which must be followed to avoid accidents. This symbol means:

ATTENTION! BECOME ALERT! YOUR SAFETY IS INVOLVED!

The safety alert symbol appears above information which alerts you to unsafe actions or situations and will be followed by the word **DANGER**, **WARNING**, or **CAUTION**.

DANGER: White lettering / Red background. Indicates an imminently hazardous situation which, if not avoided, **WILL** result in death or serious injury.

WARNING: Black lettering / Orange background. Indicates a potentially hazardous situation which, if not avoided, **COULD** result in death or serious injury.

CAUTION: Black lettering / Yellow background. Indicates a potentially hazardous situation which, if not avoided, **MAY** result in minor or moderate injury.



1.2 TRAINING

- 1.2.1 Regard the Exmark mower as a piece of power equipment and teach this regard to all who operate this unit.
- 1.2.2 Read the instructions carefully. Familiarize yourself with the controls and the proper use of the equipment. If the operator(s) or mechanic(s) can not read English, it is the owner's responsibility to explain this material to them.
- 1.2.3 Do not allow operation of this machine by untrained personnel. Never allow children, teenagers, or people unfamiliar with these instructions to use the mower. Local regulations may restrict the age of the operator.
- 1.2.4 Avoid mowing while people, especially children, or pets, are nearby. Keep in mind that the operator or user is responsible for accidents or hazards occurring to other people or their property.

1.3 PREPARATION

- 1.3.1 Evaluate the terrain to determine what accessories and attachments are needed to properly and safely perform the job. Only use accessories and attachments approved by Exmark.

- 1.3.2 The use of personal protective equipment, such as (but not limited to) protection for the eyes, ears, feet, and head is recommended.

 CAUTION 	
POTENTIAL HAZARD	
◆ The mower that the OCD01 attaches to produces sound levels in excess of 85 dBA at the operator's ear when in operation.	
WHAT CAN HAPPEN	
◆ Exposure to sound levels of 85 dBA or above for extended periods of time can cause hearing loss.	
HOW TO AVOID THE HAZARD	
◆ Wear hearing protection when operating this machine.	

- 1.3.3 While mowing, always wear substantial footwear and long trousers. Do not operate equipment when barefoot or when wearing open sandals.
- 1.3.4 Thoroughly inspect the area where the equipment is to be used and remove all stones, sticks, wires, bones, and other foreign objects which may damage the equipment or cause personal injury to the operator or bystanders.

1.4 OPERATION

Although hazard control and accident prevention are partially dependent upon the design and configuration of the equipment, these factors are also dependent upon the awareness, concern, prudence, and proper training of the personnel involved in the operation, transport, maintenance, and storage of the equipment. It is essential that all Operator Safety Mechanisms be connected and in operating condition prior to use for mowing.

- 1.4.1 Give complete, undivided attention to the job at hand.
- 1.4.2 Mow only in daylight or good artificial light, keeping away from holes and hidden hazards. **NEVER** carry passengers.
DO NOT operate the mower when children or others are in the area.
- 1.4.3 When feasible, avoid operating the equipment in wet grass.

1.5 SAFETY SIGNS

- 1.5.1 Keep all safety signs legible. Remove all grease, dirt and debris from safety signs and instructional labels.
- 1.5.2 Safety signs must be replaced if they are missing or illegible.
- 1.5.3 When new components are installed, be sure that current safety signs are affixed to the replaced components.
- 1.5.4 New safety signs may be obtained from your authorized Exmark equipment dealer or distributor or from Exmark Mfg. Co. Inc.

- 1.5.5 Safety signs may be affixed by peeling off the backing to expose the adhesive surface. Apply only to a clean, dry surface. Smooth to remove any air bubbles.
- 1.5.6 Familiarize yourself with the following safety signs and instruction labels. They are critical to the safe operation of your Exmark commercial mower.



PART NO. 109-3595
 LOCATION: On Top of the Cable
 Bracket Assembly



PART NO. 1-403005
 LOCATION: On Top of the Gate
 Linkage Assembly



PART NO. 98-5954
 LOCATION: On the Side of the
 Gate Linkage
 Assembly

2. SPECIFICATIONS

2.1 MODEL NUMBER: OCD01

3. ASSEMBLY INSTRUCTIONS

IMPORTANT: Disengage blade, shut off engine, wait for all moving parts to stop, engage parking brake, remove key, and disconnect the wire from the spark plug before servicing, cleaning, or making any adjustments to the unit.

3.1 ASSEMBLY DIAGRAM

Item	Part No.	Description	Qty.
1	109-3880	Asm, Cable Bracket w/Decal	1
2	3296-29	Nut, Nyloc 5/16-18	4
3	3230-9	Bolt, Carriage 5/16-18 x 2 3/4 (Triton)	1
	3230-9	Bolt, Carriage 5/16-18 x 2 3/4 (UltraCut) ..	2
4	322-3	Screw, HH 5/16-18 x 3/4	2
5	109-3884	Pedal, Foot	1
6	3256-3	Washer, 5/16 Std (Triton)	3
	3256-3	Washer, 5/16 Std (UltraCut)	7
7	32128-20	Nut, Whizlock 5/16-18	3
8	109-3606■	Asm, Cable 60"-72"	1
	109-3882+	Asm, Cable 46"-56"	1
9	109-4101	Strap, Cable Hanger	1
10	109-4097-01	Cover, Gate Linkage	1
11	9266714	Screw, HWH 1/4-20 x .50 TF (UltraCut) ...	3

Item	Part No.	Description	Qty.
12	109-3603	Asm, Gate Linkage w/Decals	1
13	3230-2	Bolt, Carriage 5/16-18 x 1 (Triton)	3
	3230-2	Bolt, Carriage 5/16-18 x 1 (UltraCut)	2
14	1-806003	Pin, Hair	1
15	3256-23	Washer, 5/16 SAE (Triton)	2
	3256-23	Washer, 5/16 SAE (UltraCut)	1
16	109-3605	Asm, Gate	1
17	109-4089-01	Plate, Blocker (Triton)	1
18	3230-1	Bolt, Carriage 5/16-18 x 3/4	1
19	109-3881-01	Bracket, Chute Pivot (UltraCut)	1
20	322-6	Screw, HH 5/16-18 x 1 1/4 (UltraCut)	1
21*	109-3860	Kit, Flexible Discharge Chute (Ultra Cut) ..	1
22	9266934	Screw, HWH 5/16 x 1/2 TF	2

■ Used for Triton (series 5) decks 60", 66", & 72" (long cable).

+ Used for Triton (series 5) decks 46", 50", & 56" and UltraCut (series 4) decks 52" & 60" (short cable).

* For serial numbers 669,999 and lower. Not included – needs to be purchased separately.

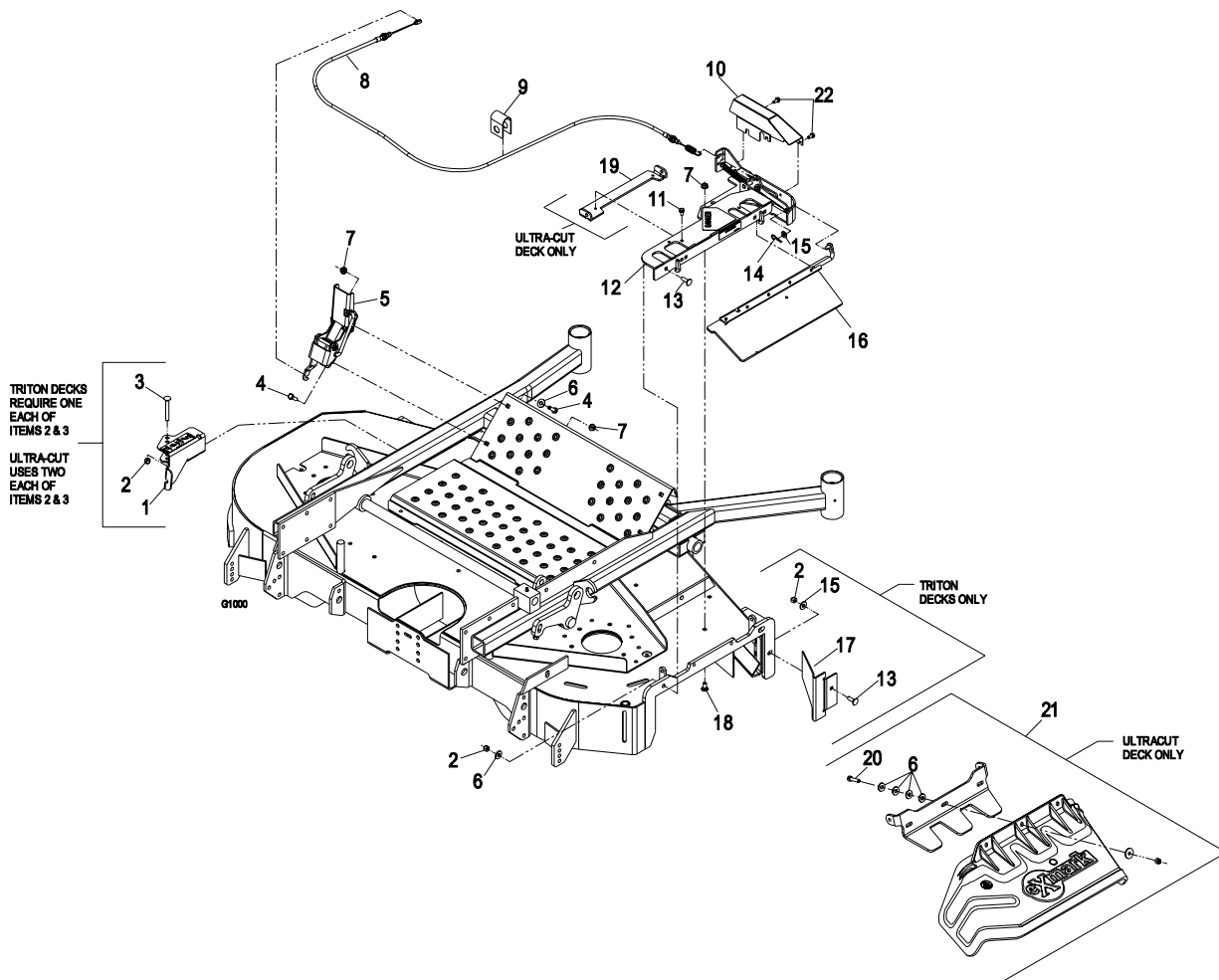


FIGURE 1

3.2 INSTALLING OCD01 TO THE MOWER DECK

3.2.1 Remove discharge chute from deck.

For UltraCut Decks: Remove and discard discharge chute and hardware. Decks with serial numbers 669,999 and lower require a flexible discharge chute, kit # 109-3860. The kit is not supplied with the OCD01 accessory and needs to be purchased separately.

For Triton Decks: Remove and retain the discharge chute and hardware.

3.2.2 Use Figure 2 to locate the correct mounting holes on the pedal pivot bracket.

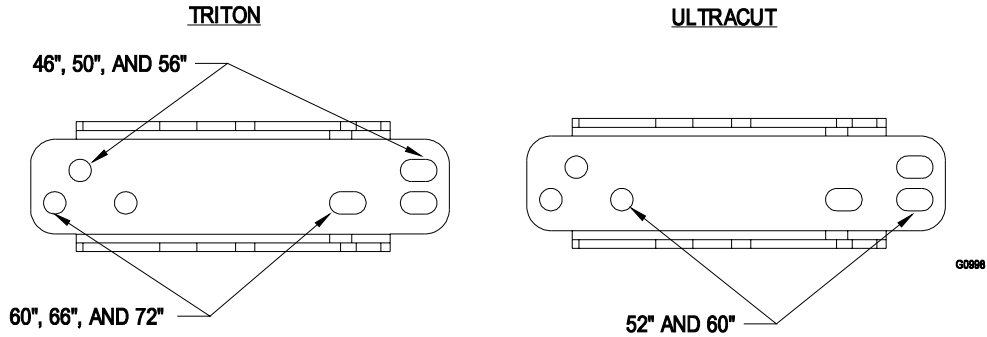


FIGURE 2

3.2.3 Install the foot pedal on the pedal pivot bracket. The upper screw, 5/16-18 x 3/4 (item 4) installs from the bottom of the pedal pivot bracket as shown in Figure 3. Fasten with whizlock nut (item 7).

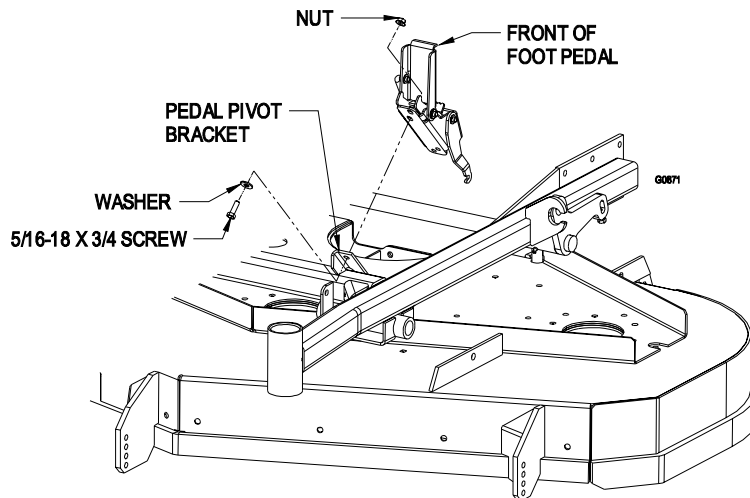


FIGURE 3

3.2.4 The lower screw installs from the top down as shown in Figure 4. Fasten with whizlock nut (item 7).

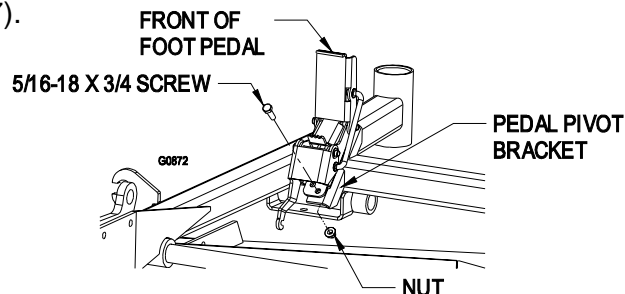


FIGURE 4

3.2.5 Install the cable bracket (item 1) by the foot pedal and leave the hardware loose. Use the correct mounting holes as shown in Figure 5A.

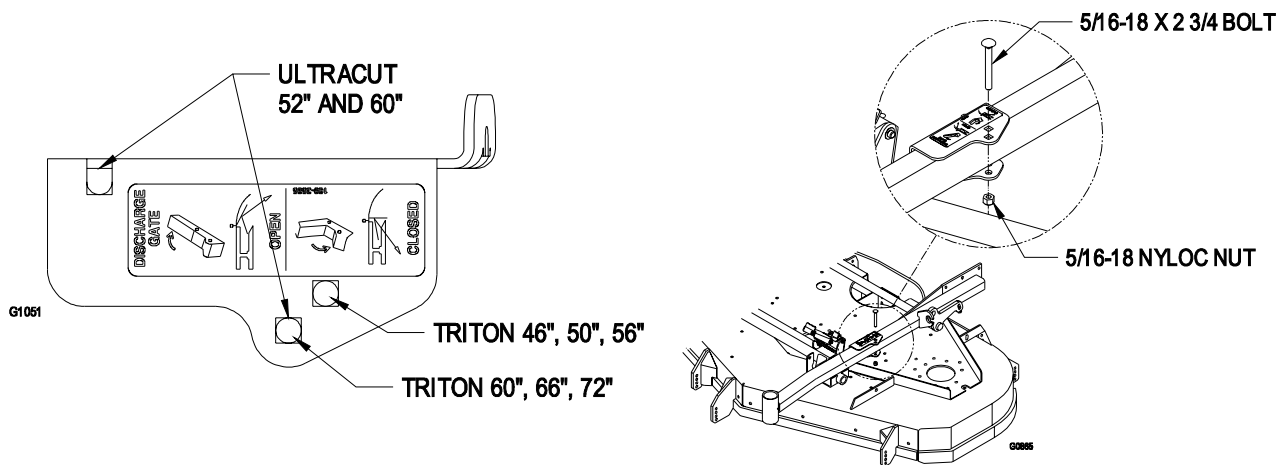


FIGURE 5A

FIGURE 5B

3.2.6 Install cable. Make sure the nuts are centered as shown in Figure 6.

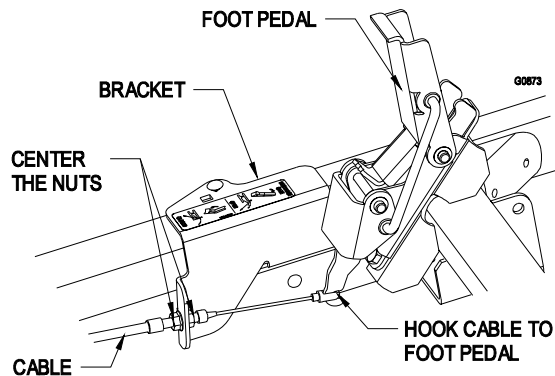


FIGURE 6

3.2.7 Remove the belt cover near the discharge opening.

3.2.8 Route the cable over the left side of the cross-shaft. Remove the seal and run the nuts off the cable. Feed the parts loosely through one hole of the cable hanger strap. Hang the cable under the right side of the cross-shaft and fasten with cable hanger strap as shown in Figure 7. Reinstall nuts and seal.

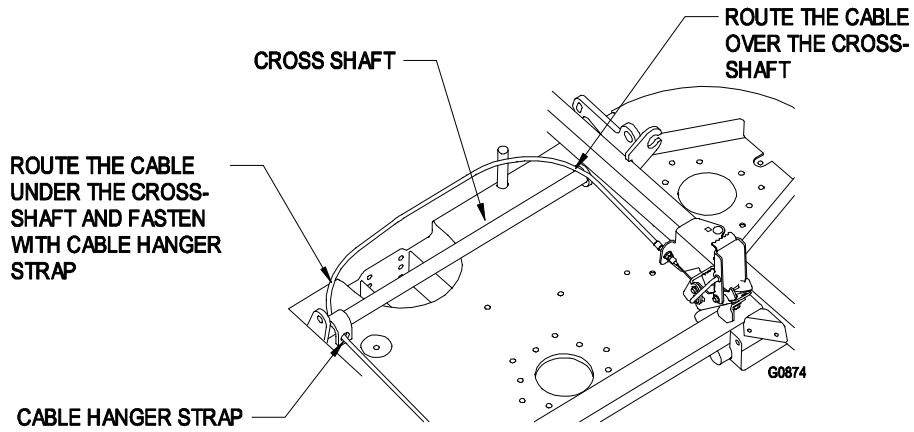


FIGURE 7

3.2.9 If there are protruding welds on the discharge opening, grind them flush.

NOTE: Any welds left protruding from the face of the discharge opening could interfere with free operation of the discharge gate.

For Triton decks only: Install the blocker plate (item 17) as shown in Figure 8.

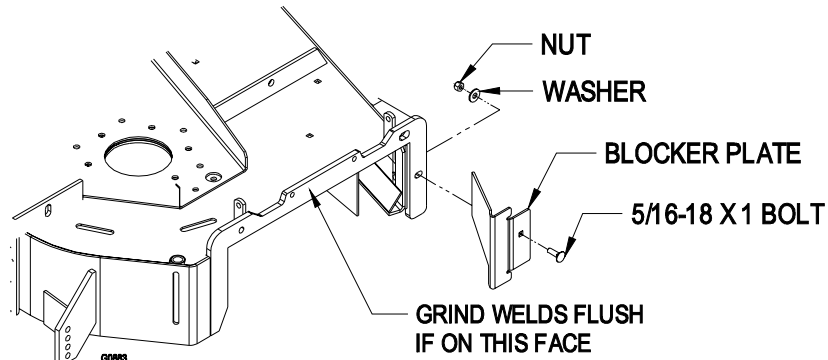


FIGURE 8

3.2.10 For Triton (series 5) decks 46", 50", & 56" and UltraCut (series 4) decks 52" & 60", cut the discharge gate as shown in Figure 9.

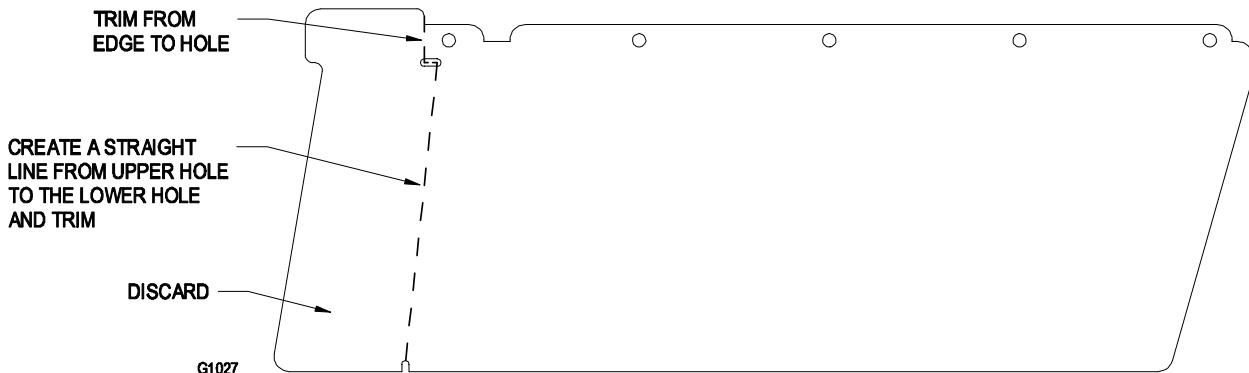


FIGURE 9

3.2.11 Hook the gate assembly (item 16) to the gate linkage assembly (item 12). Install the washer (item 15) and fasten with the hairpin (item 14) as shown in Figure 10.

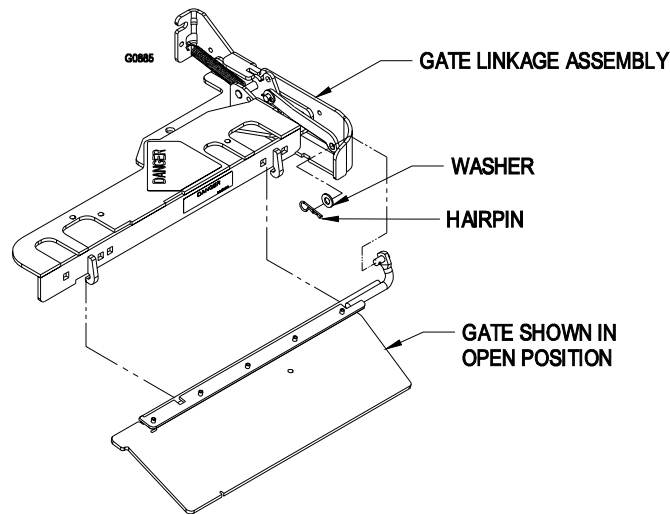


FIGURE 10

3.2.12 Mount the gate linkage assembly to the deck.

NOTE: The gate is easier to retain on the link assembly if rotated to the “open” position when installing on the deck.

For UltraCut deck:

- a) Install three 1/4-20 self-tapping screws (item 11) into the chute pivot bracket (item 19) as shown in Figure 11A.

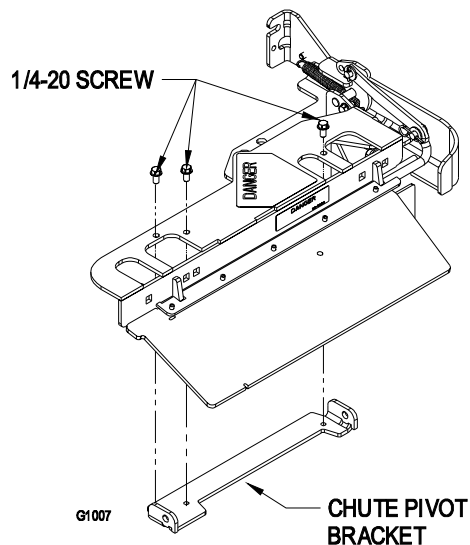


FIGURE 11A

- b) Locate the correct mounting hole as shown in Figure 11B. Drill holes in deck as shown in Figure 11C. Install the two 5/16-18 x 1 bolts (item 13) and fasten to the deck with washer (item 6) and nyloc nut (item 2). Install 5/16-18 x 3/4 bolt (item 18) from the bottom of the deck, and draw up into hole using the whizlock nut (item 7).

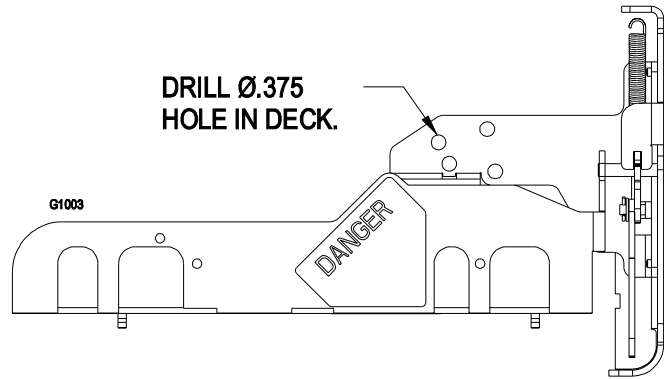


FIGURE 11B

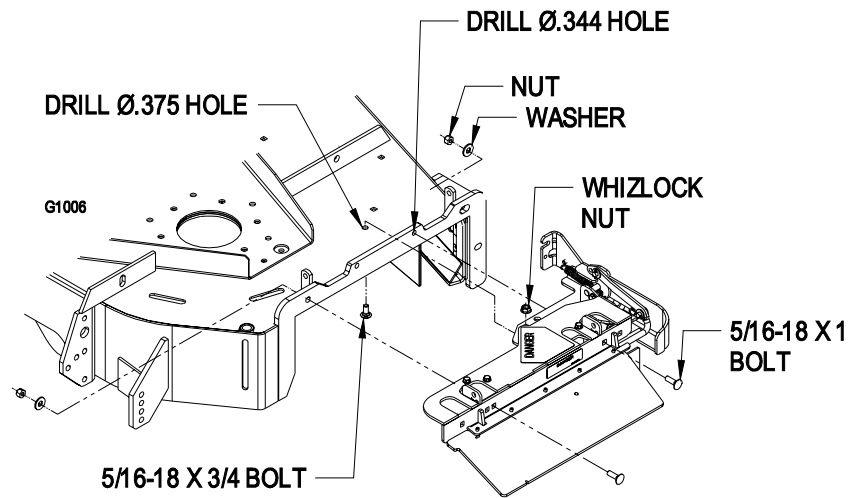


FIGURE 11C

For 46"-60" Triton decks:

- a) Locate the correct mounting hole as shown in Figure 11D. Install two 5/16-18 x 1 bolts (item 13) and fasten to the deck with washer (item 6) and nyloc nut (item 2). Install 5/16-18 x 3/4 bolt (item 18) from the bottom of the deck, and draw up into hole using the whizlock nut (item 7), see Figure 11E for correct mounting hole location.

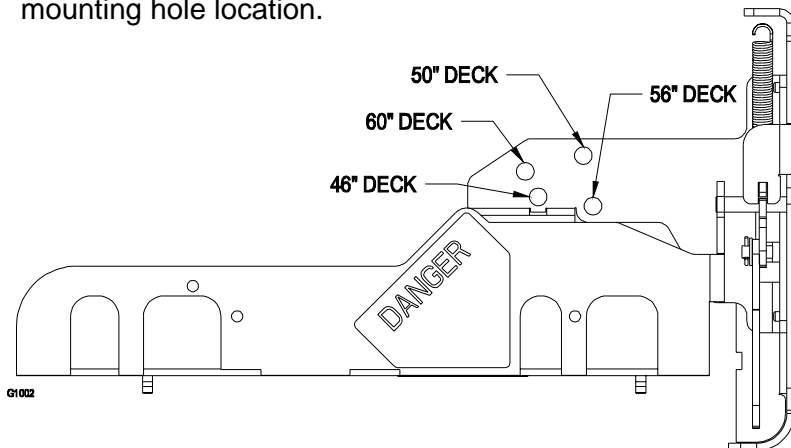


FIGURE 11D

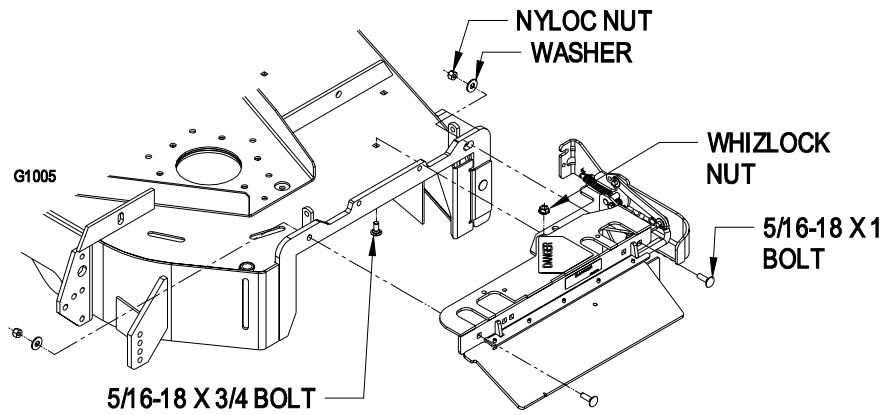


FIGURE 11E

For 66" & 72" Triton decks:

- a) Install two 5/16-18 x 1 bolts (item 13) and fasten to the deck with washer (item 6) and nyloc nut (item 2) as shown in Figure 11E. Drill $\text{\O} .375$ hole in the deck to mate up with the gate linkage assembly (item 12) where shown in Figure 11F. The drilled hole location will avoid under deck baffles on the deck. Install 5/16-18 x 3/4 bolt (item 18) from the bottom of the deck, and draw up into hole using the whizlock nut (item 7).

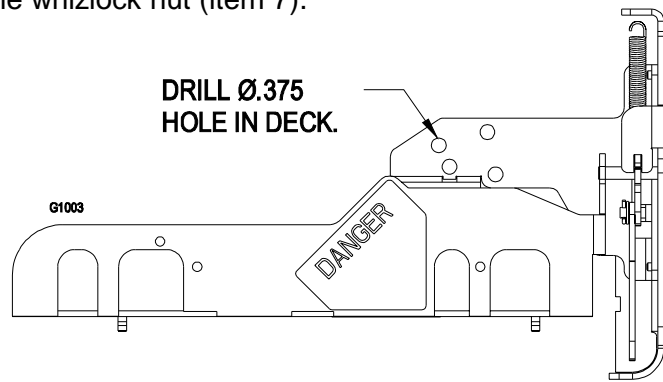


FIGURE 11F

3.2.13 With foot pedal in unlocked position (see Figure 12), attach the cable onto the blocker pivot plate assembly. Attach cable and adjust mounting nuts to the center of the threaded portion of the cable as shown in Figure 13.

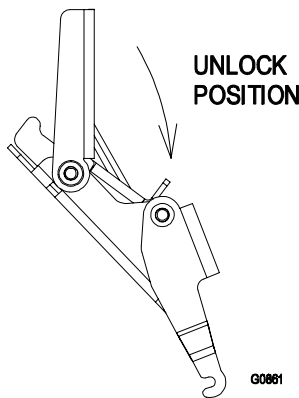


FIGURE 12



FIGURE 13

- 3.2.14 Slide the bracket that is shown in Figure 6, back and forth to adjust the cable tension. Take up the slack in the cable, but it should not be taut. Tighten hardware to retain the bracket.
- 3.2.15 When pushing on the spring, there should be a 1/16" gap between the spring and the blocker pivot plate assembly. Fine adjustments can be made by adjusting the cable mounting nuts as shown in Figure 13. Press the foot pedal in the forward lock position, the spring should stretch slightly when it locks over center.



FIGURE 14

- 3.2.16 Install the gate linkage cover to the gate linkage assembly as shown in Figure 15.

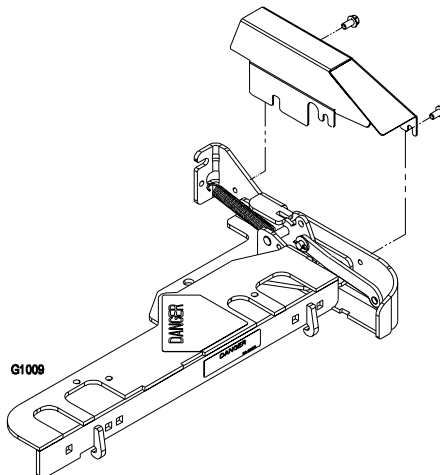


FIGURE 15

- 3.2.17 To make sure the OCD01 assembly is installed correctly:
- Place the foot pedal in the locked position. Gate should be raised to nearly horizontal position.
 - Place foot pedal in the unlocked position. Gate should move to vertical position, closing off the discharge opening. **If you try to open the gate with your hands, the gate should be locked into place. If the gate opens, the cable is tensioned too tightly.** Readjust the bracket and nut as stated in 3.2.14.

3.2.18 Remove the discharge chute bracket from the discharge chute and retain hardware. Use the appropriate template provided as a guide to cut off the lip. Follow steps a) through d).

For UltraCut 52"-60" use template 109-4091.

For Triton 46"-56" use template 109-4091.

For Triton 60"-72" use template 109-3592.

a) Place the template onto the chute lip.

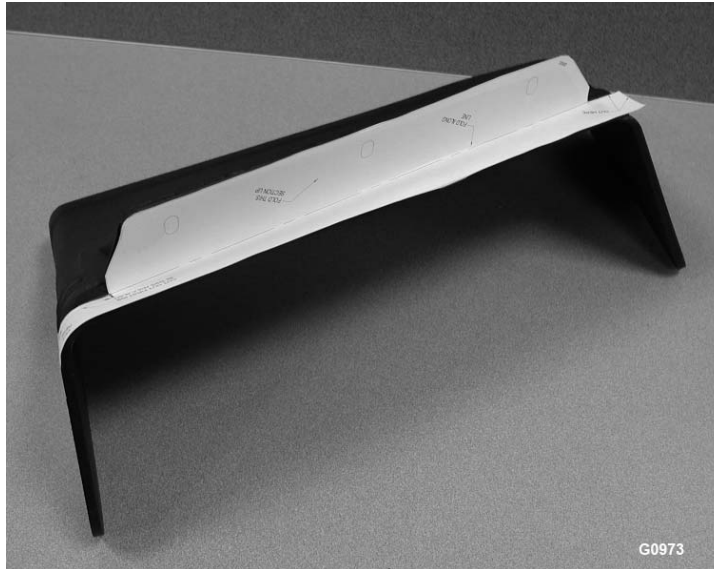


FIGURE 16A

b) Cut ends as shown on template. Cut around backside of first rib as shown in Figure 16B



FIGURE 16B

c) Remove remaining lip as shown in Figure 16C.



FIGURE 16C
CHUTE WITH LIP



FIGURE 16D
CHUTE WITH LIP REMOVED

d) Using the existing hardware, reinstall the discharge chute bracket into the flexible discharge chute as shown in Figure 17.

For UltraCut Only: Install 5/16-18 x 1-1/4 screw (item 20) and 3 or 4 washers (item 6) in the center hole of the bracket as shown in Figure 17, so that the edge of the chute will be parallel with the deck in the down position.

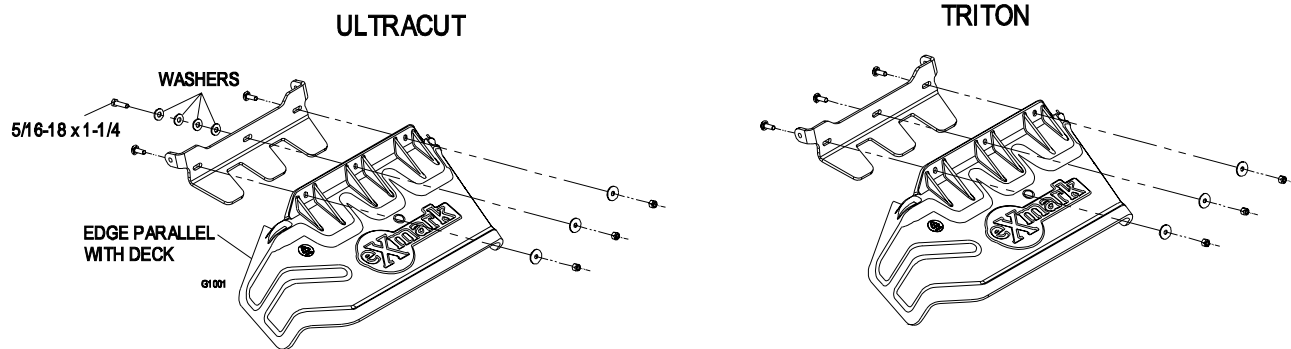




FIGURE 17



e) When installation is completed, rotate gate assembly (item 16) through its full travel range and check clearance with discharge chute. Trim additional material from discharge chute if necessary.

3.2.19 Reinstall the belt cover.

4. OPERATION

IMPORTANT: Always mow with the flexible discharge chute installed and in the down position.

 DANGER 	
POTENTIAL HAZARD	<ul style="list-style-type: none">◆ An uncovered discharge opening will allow objects to be thrown in an operator's or bystander's direction. Also, contact with the blade could occur.
WHAT CAN HAPPEN	<ul style="list-style-type: none">◆ Thrown objects or blade contact can cause serious injury or death.
HOW TO AVOID THE HAZARD	<ul style="list-style-type: none">◆ Never operate the mower with the discharge deflector raised, removed, or altered unless there is a grass collection system or mulch kit in place and working properly.

 DANGER 	
POTENTIAL HAZARD	<ul style="list-style-type: none">◆ The rotating blades under the mower deck are dangerous.
WHAT CAN HAPPEN	<ul style="list-style-type: none">◆ Blade contact can cause serious injury or kill you.
HOW TO AVOID THE HAZARD	<ul style="list-style-type: none">◆ <i>DO NOT</i> put hands or feet under the mower or mower deck when the blades are engaged.

4.1 OPENING THE DISCHARGE GATE

4.1.1 Press the pedal into the forward lock position and the discharge gate will be open.

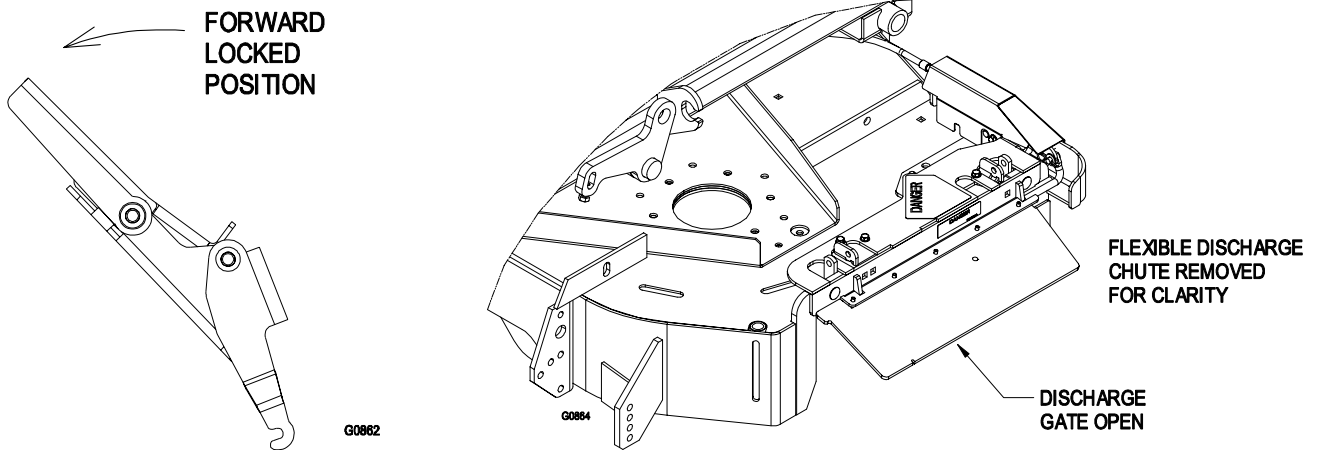


FIGURE 18

4.2 CLOSING THE DISCHARGE GATE

4.2.1 Depress the lower tab to unlock the pedal. Then the discharge gate will then close off the discharge opening.

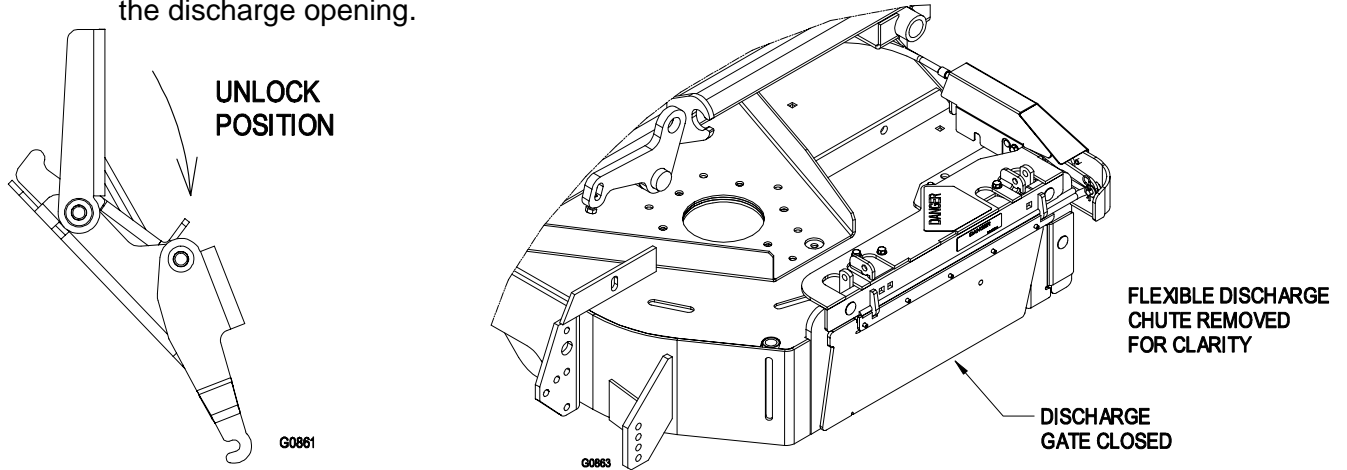


FIGURE 19

5. ADJUSTMENTS

IMPORTANT: Disengage blade, shut off engine, wait for all moving parts to stop, engage parking brake, remove key, and disconnect the wire from the spark plug before servicing, cleaning, or making any adjustments to the unit.

- 5.1. Refer back to installation instructions.

6. TROUBLESHOOTING

6.1 GATE DOES NOT LOCK WHEN CLOSED

If you try to open the gate with your hands, the gate should be locked into place. If the gate opens, the cable is tensioned too tightly. Fine tune the mounting nuts on the cable by following steps 3.2.13 through 3.2.15.

6.2 GATE DOES NOT OPEN

If the gate does not open when the foot pedal is in the locked position, the cable is not tensioned properly. Adjust the bracket and mounting nuts in step 3.2.13 through 3.2.15.

6.3 GATE DOES NOT ROTATE FREELY AND STICKS IN THE UP POSITION

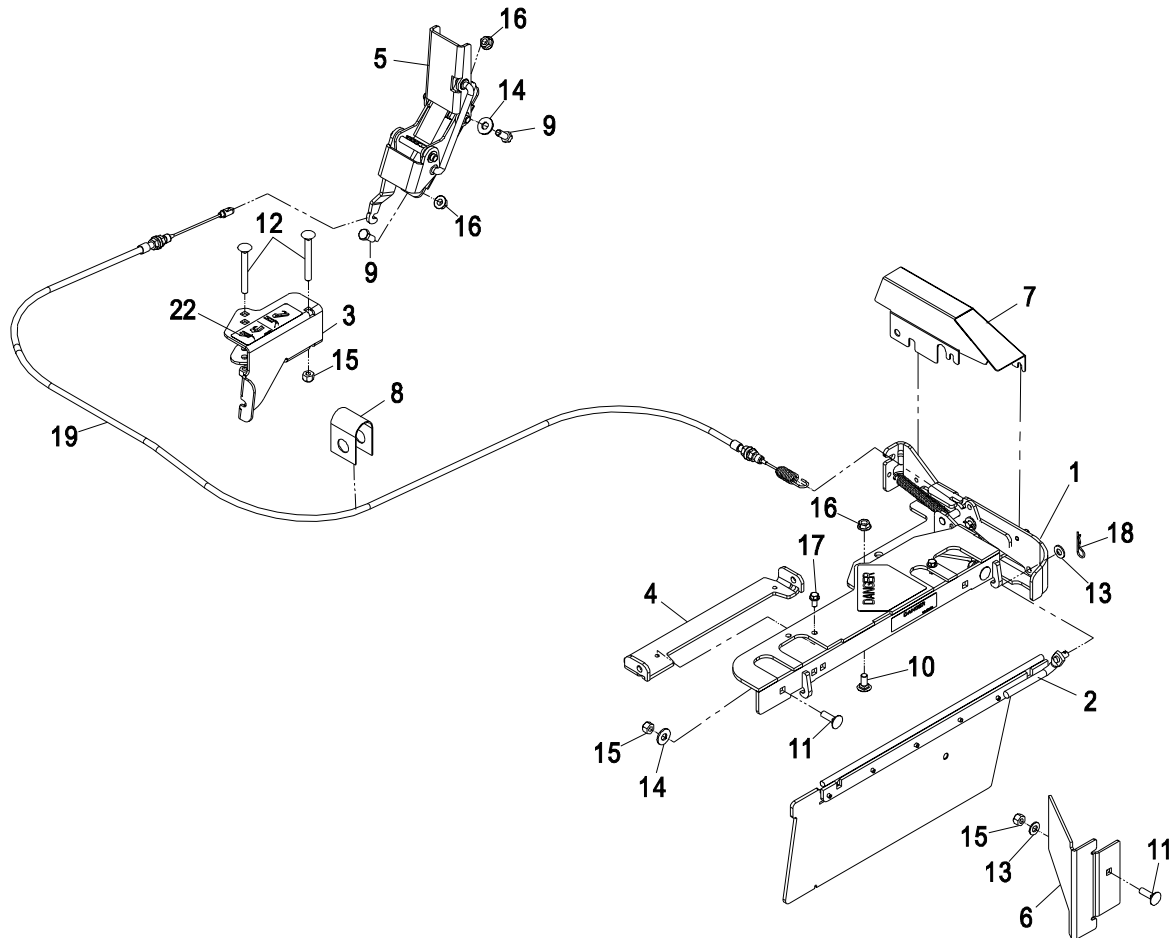
Check the discharge opening on the deck for protruding welds. Any welds left protruding from the face of the discharge opening could interfere with free operation of the discharge gate. Remove the discharge chute and gate linkage assembly from the deck and grind welds flush as shown in Figure 8. Reinstall gate linkage assembly and discharge chute.

6.4 GATE INTERFERES WITH THE DISCHARGE CHUTE

When installation is completed, rotate gate assembly through its full travel range and check clearance with discharge chute. Trim additional material from discharge chute if necessary.

7. PARTS LIST

7.1 OCD01 ASSEMBLY



Item	Part No.	Description	Qty.
1	109-3603	Asm, Gate Linkage W/Decals.....	1
2	109-3605	Asm, Gate	1
3	109-3880	Asm, Cable Bracket W/Decal	1
4	109-3881-01	Bracket, Chute Pivot (Ultra Cut)	1
5	109-3884	Pedal, Foot.....	1
6	109-4089-01	Plate, Blocker (Triton).....	1
7	109-4097-01	Cover, Linkage	1
8	109-4101	Strap, Cable Hanger.....	1
9	322-3	Screw, HH 5/16-18 x 3/4.....	2
10	3230-1	Bolt, Carriage 5/16-18 x 3/4.....	1
11	3230-2	Bolt, Carriage 5/16-18 x 1 (Ultra Cut)....	2
	3230-2	Bolt, Carriage 5/16-18 x 1 (Triton).....	3
12	3230-9	Bolt, Carriage 5/16-18 x 2 3/4 (Ultra Cut) .	2
	3230-9	Bolt, Carriage 5/16-18 x 2 3/4 (Triton)...	1

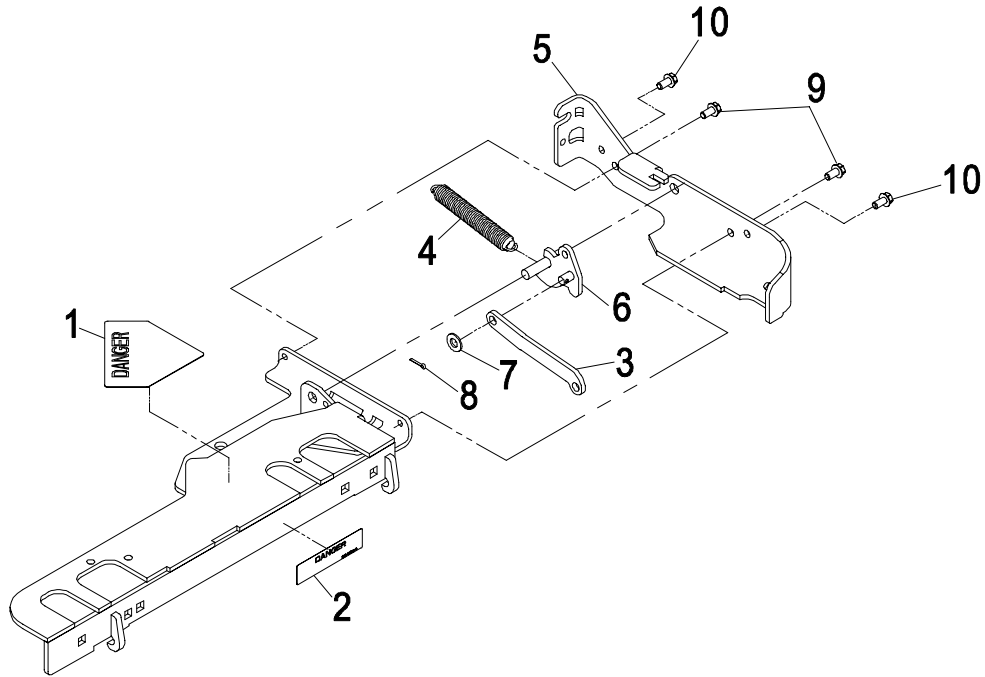
Item	Part No.	Description	Qty.
13	3256-23	Washer, 5/16 SAE (Ultra Cut)	1
	3256-23	Washer, 5/16 SAE (Triton)	2
14	3256-3	Washer, 5/16 Std (UltraCut)	7
	3256-3	Washer, 5/16 Std (Triton).....	3
15	3296-29	Nut, Nyloc 5/16-18 (Triton)	4
16	32128-20	Nut, Whizlock 5/16-18.....	3
17	9266714	Screw, HWH 1/4-20 x .50 (Ultra Cut)....	6
18	1-806003	Pin, Hair	1
19+	109-3606	Asm, Cable 60" -72"	1
▲	109-3882	Asm, Cable 46"-56"	1
20■	109-4091	Template, Small Chute Cut Pattern.....	1
	109-3592	Template, Large Chute Cut Pattern.....	1
21■	322-6	Screw, HH 5/16-18 x 1 1/4 (UltraCut) ...	1
22	109-3595	Decal, OCD01 Operation.....	1

✦ Used for Triton (series 5) decks 60", 66", & 72" (long cable)

▲ Used for Triton (series 5) decks 46", 50", & 56" and Ultra Cut (series 4) decks 52" & 60" (short cable)

■ Not shown.

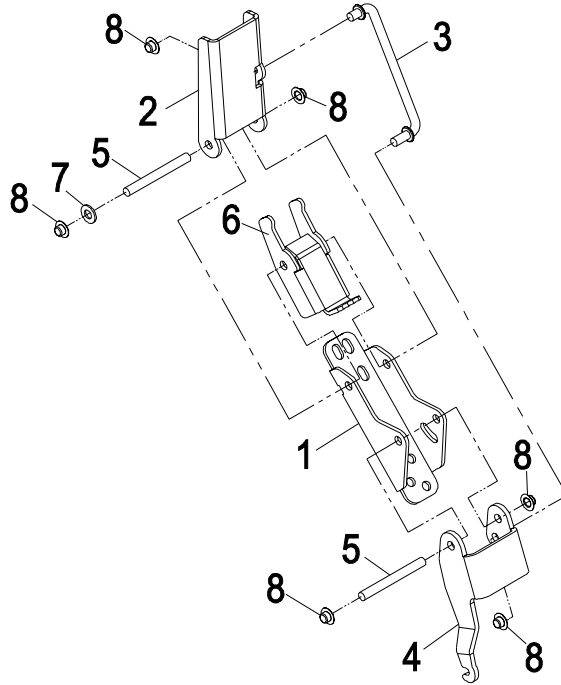
7.2 COMPONENTS FOR 109-3603 ASSEMBLY



Item	Part No.	Description	Qty.
1	1-403005	Decal, Danger	1
2	98-5954	Decal, Danger	1
3	109-3600	Link, Gate	1
4	109-3604	Spring, Extension	1
5	109-4093-01	Bracket, Link Pivot.....	1

Item	Part No.	Description	Qty.
6	109-4096	Wld, Gate Crank	1
7	3256-23	Washer, 5/16 SAE	1
8	3272-5	Pin, Cotter 3/32 x 1/2	1
9	9266714	Screw, HWH 1/4-20 x .50.....	2
10	9266934	Screw, HWH 5/16 x 1/2 TF	2

7.3 COMPONENTS FOR 109-3884 ASSEMBLY



Item	Part No.	Description	Qty.
1	109-3608-01	Bracket, Pedal Pivot	1
2	109-3609-01	Pedal, Gate	1
3	109-3610	Rod, Pedal Link	1
4	109-3877-01	Channel, Pedal Link	1

Item	Part No.	Description	Qty.
5	109-3878	Rod, Pedal Pivot	2
6	109-3879-01	Latch, Gate Pedal	1
7	3256-23	Washer, 5/16 SAE	1
8	32112-11	Pushnut, Washer Cap.....	6

8.

2-Year Limited Warranty Exmark Turf Equipment

(For units purchased on or after October 1, 2004)

Conditions and Products Covered

Exmark Mfg. Co. Inc. and its affiliate, Exmark Warranty Company, pursuant to an agreement between them, jointly warrant on the terms and conditions herein, that we will repair, replace or adjust any part manufactured by Exmark and found by us (in the exercise of our reasonable discretion) to be defective in factory materials or workmanship for a period of two years.

This warranty applies to Exmark turf equipment purchased on or after October 1, 2004 sold in the US or Canada. This warranty may only be assigned or transferred to a second (or third) owner by an authorized Exmark dealer. The warranty period commences upon the date of the original retail purchase.

<u>Products</u>	<u>Warranty Period</u>
• All Products (except as noted below)	2 years
• All Attachments and Accessories	1 year
• Metro 21 and Metro 26 Series	1 year
• Belts and Tires	90 days
• Battery	1 Year Prorated
• Engine*	Warranty is covered by engine manufacturer

*Please refer to the engine manufacturer's warranty statement that is included in the literature packet. We are not authorized to handle warranty adjustments on engines.

This warranty only includes the cost of parts and labor.

Items and Conditions Not Covered

This warranty does not cover the following:

- Pickup and delivery charges to and from any authorized Exmark Service Dealer.
- Any damage or deterioration due to normal use, wear and tear, or exposure.
- Cost of regular maintenance service or parts, such as filters, fuel, lubricants, tune-up parts, and adjustments.
- Any product or part which has been altered or misused or required replacement or repair due to normal wear, accidents, or lack of proper maintenance.
- Any repairs necessary due to use of parts, accessories or supplies, including gasoline, oil or lubricants, incompatible with the turf equipment or other than as recommended in the operator's manual or other operational instructions provided by Exmark.

All warranty work must be performed by an authorized Exmark Service Dealer using Exmark approved replacement parts.

Instructions for Obtaining Warranty Service

1. Contact any Exmark Service Dealer to arrange service at their dealership. To locate a dealer convenient to you, access our website at www.exmark.com. U.S. Customers may also call 402-223-6375.
2. Bring the product and your proof of purchase (sales receipt) to the Exmark Service Dealer.

If for any reason you are dissatisfied with the Service Dealer's analysis or with the assistance provided, contact us at:

Exmark Customer Service Department
The Exmark Warranty Company
2101 Ashland Avenue
Beatrice, NE 68310
402-223-6375 or
service@exmark.com

Owner's Responsibilities

The Exmark turf equipment, including any defective part, must be returned to an authorized Exmark service dealer within the warranty period. This warranty extends only to turf equipment operated under normal conditions. You must properly service and maintain your Exmark product as described in the operator's manual. Such routine maintenance, whether performed by a dealer or by you, is at your expense.

As a condition to this warranty, customer shall have read the operator's manual and shall have completed and submitted to Exmark Warranty Company, within the prescribed time, the Exmark warranty registration.

General Conditions

The sole liability of Exmark and Exmark Warranty Company with respect to this warranty shall be repair and replacement as set forth herein. **Neither Exmark nor Exmark Warranty Company shall have any liability for any other cost, loss or damage, including but not limited to, any incidental or consequential loss or damage.**

In particular, we shall have no liability or responsibility for:

- Expenses related to gasoline, oil or lubricants.
- Travel time, overtime, after hours time or other extraordinary repair charges or charge relating to repairs or replacements outside of normal business hours at the place of business of the authorized Exmark service dealer.
- Rental of like or similar replacement equipment during the period of any warranty, repair or replacement work.
- Any telephone or telegram charges or travel charges.
- Loss or damage to person or property other than that covered by the terms of this warranty.
- Any claims for lost revenue, lost profit or additional cost as a result of a claim of breach of warranty.
- Attorney's fees.

No Claim of breach of warranty shall be cause for cancellation or rescission of the contract of sale of any Exmark mower.

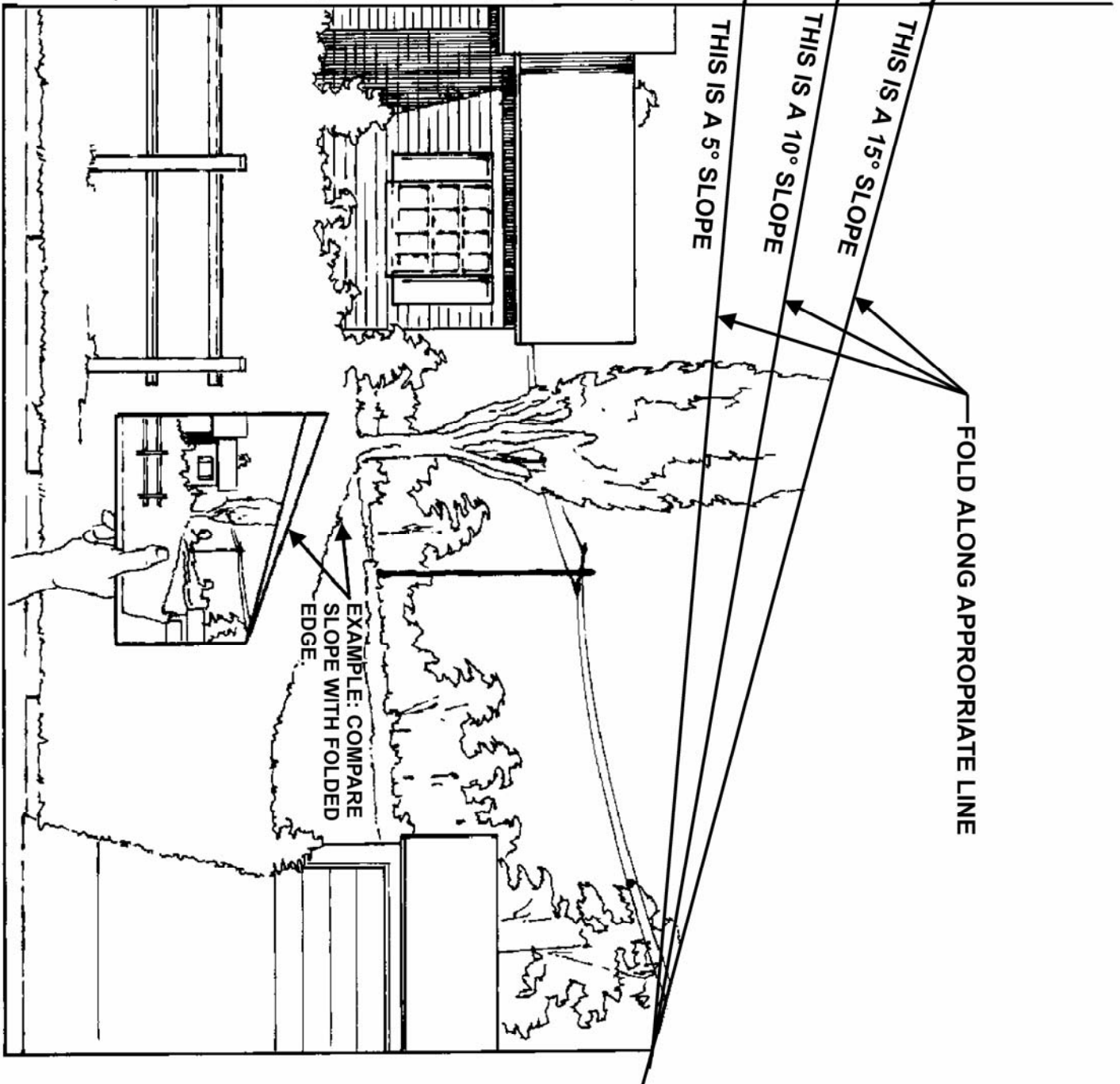
There are no understandings, agreements, representations, or warranties, express or implied, including but not limited to any regarding the merchantability (that product is fit for ordinary use) or fitness for use (that product is fit for a particular purpose), not specified herein, respecting the equipment which is the subject of this warranty.

Some states do not allow exclusions of incidental or consequential damages, or limitations on how long an implied warranty lasts, so the above exclusions and limitations may not apply to you.

This warranty gives you specific legal rights, and you may also have other rights which vary from state to state.

NOTES

ALIGN THIS EDGE WITH A VERTICAL SURFACE
(TREE, BUILDING, FENCE POST, POLE ETC.)



SEE EXMARK'S COMPLETE LINE OF ACCESSORIES

RIDING ACCESSORIES

CUSTOM RIDE SEAT SUSPENSION SYSTEM
DECK LIFT ASSIST KIT
HITCH KIT
LIGHT KIT
MICRO-MULCH SYSTEM
ROLL OVER PROTECTION SYSTEM (ROPS)
SNOW BLADE
SUN SHADE
TRASH CONTAINER
TURF STRIPER
ULTRA VAC COLLECTION SYSTEM
ULTRA VAC QUICK DISPOSAL SYSTEM

WALK BEHIND ACCESSORIES

GRASS CATCHER
MICRO-MULCH SYSTEM
STEERABLE SULKY
SULKY HITCH KIT
TURF STRIPER
STANDON

Check us out on the Web:

www.exmark.com

© 2006

EXMARK MFG. CO. INC.
INDUSTRIAL PARK BOX 808
BEATRICE, NE 68310

ALL RIGHTS RESERVED

PART NO. 109-4823 Rev B.
(402) 223-6300
FAX (402) 223-5489
PRINTED IN U.S.A.



Free Manuals Download Website

<http://myh66.com>

<http://usermanuals.us>

<http://www.somanuals.com>

<http://www.4manuals.cc>

<http://www.manual-lib.com>

<http://www.404manual.com>

<http://www.luxmanual.com>

<http://aubethermostatmanual.com>

Golf course search by state

<http://golfingnear.com>

Email search by domain

<http://emailbydomain.com>

Auto manuals search

<http://auto.somanuals.com>

TV manuals search

<http://tv.somanuals.com>