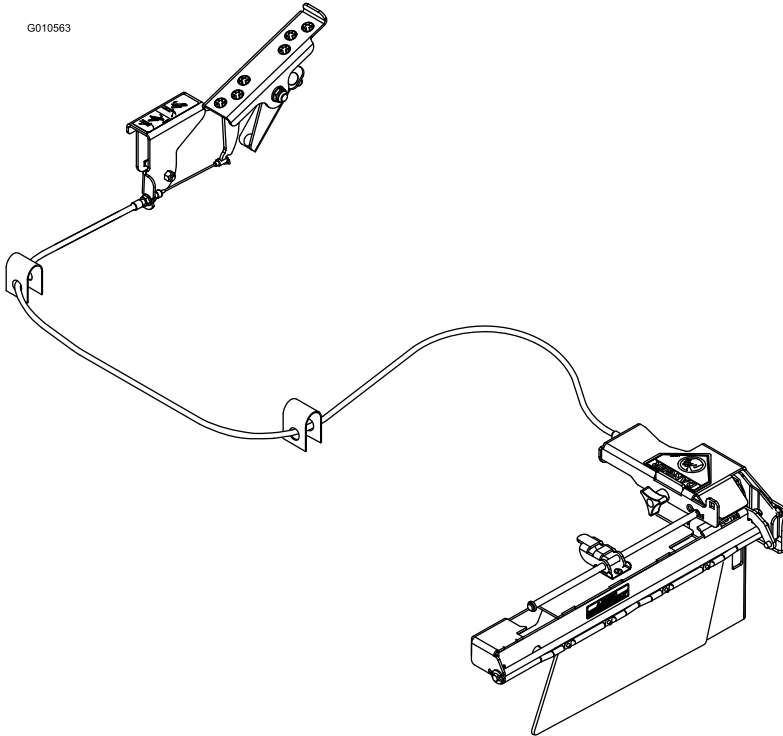




G010563

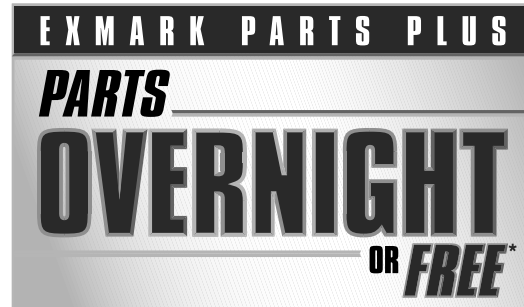


**OCD02**

Part No. 4500-482 Rev. B

# Operator's Manual

Exmark reserves the right to make changes or add improvements to its products at any time without incurring any obligation to make such changes to products manufactured previously. Exmark, or its distributors and dealers, accept no responsibility for variations which may be evident in the actual specifications of its products and the statements and descriptions contained in this publication.



If your Exmark dealer does not have the Exmark part in stock, Exmark will get the parts to the dealer the next business day or the part will be FREE Guaranteed!! (Some restrictions apply. See your participating Exmark Dealer for details.)

# Introduction

**CONGRATULATIONS** on the purchase of your Exmark equipment. This product has been carefully designed and manufactured to give you a maximum amount of dependability and years of trouble-free operation.

This manual contains operating, maintenance, adjustment, and safety instructions for your Exmark equipment.

**BEFORE OPERATING YOUR MOWER, CAREFULLY READ THIS MANUAL IN ITS ENTIRETY.**

By following the operating, maintenance, and safety instructions, you will prolong the life of your equipment, maintain its maximum efficiency, and promote safe operation.

If additional information is needed, or should you require trained mechanic service, contact your authorized Exmark equipment dealer or distributor.

All Exmark equipment dealers and distributors are kept informed of the latest methods of servicing and are equipped to provide prompt and efficient service in the field or at their service stations. They carry ample stock of service parts or can secure them promptly for you from the factory.

All Exmark parts are thoroughly tested and inspected before leaving the factory, however, attention is required on your part if you are to obtain the fullest measure of satisfaction and performance.

Whenever you need service, genuine Exmark parts, or additional information, contact an Authorized Service Dealer or Exmark Customer Service.

# Contents

Introduction .....	3
Safety .....	5
Safety Alert Symbol.....	5
Safe Operating Practices .....	5
Safety and Instructional Decals .....	7
Setup .....	8
Installing OCD02 on Mower Deck.....	8
Product Overview .....	10
Operation .....	11
Opening the Discharge Gate.....	11
Closing the Discharge Gate.....	11
Maintenance .....	12
Adjustments .....	12
Foot Pedal Adjustment .....	12
Gate Adjustment.....	12
Troubleshooting .....	13

# Safety

## Safety Alert Symbol

This Safety Alert Symbol (Figure 1) is used both in this manual and on the machine to identify important safety messages which must be followed to avoid accidents

This symbol means: **ATTENTION! BECOME ALERT! YOUR SAFETY IS INVOLVED!**



Figure 1

1. Safety alert symbol

The safety alert symbol appears above information which alerts you to unsafe actions or situations and will be followed by the word **DANGER**, **WARNING**, or **CAUTION**.

**DANGER:** White lettering / Red background. Indicates an imminently hazardous situation which, if not avoided, **Will** result in death or serious injury.

**WARNING:** Black lettering / Orange background. Indicates a potentially hazardous situation which, if not avoided, **Could** result in death or serious injury.

**CAUTION:** Black lettering / Yellow background. Indicates a potentially hazardous situation which, if not avoided, **May** result in minor or moderate injury.

This manual uses two other words to highlight information. **Important** calls attention to special mechanical information and **Note** emphasizes general information worthy of special attention.

## Safe Operating Practices

### Training

- Read the OCD02 and tractor Operator's Manuals and other training material. If the operator(s) or mechanic(s) can not read English it is the owner's responsibility to explain this material to them.
- Become familiar with the safe operation of the equipment, operator controls, and safety signs.
- All operators and mechanics should be trained. The owner is responsible for training the users.

- Never let children or untrained people operate or service the equipment. Local regulations may restrict the age of the operator.
- The owner/user can prevent and is responsible for accidents or injuries occurring to himself or herself, other people or property.

### Preparation

- Evaluate the terrain to determine what accessories and attachments are needed to properly and safely perform the job. Only use accessories and attachments approved by Exmark.
- Wear appropriate clothing including safety glasses, substantial footwear, long trousers, and hearing protection. Do Not operate when barefoot or when wearing open sandals.

### ⚠ CAUTION

The machine that the OCD02 attaches to produces sound levels in excess of 85 dBA at the operator's ear and can cause hearing loss through extended periods of exposure.

**Wear hearing protection when operating this machine.**

- Inspect the area where the equipment is to be used and remove all rocks, toys, sticks, wires, bones, and other foreign objects which can be thrown by the machine and may cause personal injury to the operator or bystanders.

### Operation

- Operate only in daylight or good artificial light, keeping away from holes and hidden hazards.
- Never mow with the discharge deflector raised, removed or altered unless there is a grass collection system or mulch kit in place and working properly.
- Stop engine, wait for all moving parts to stop, remove key and engage parking brake:
  - Before checking, cleaning or working on the mower.
  - After striking a foreign object or abnormal vibration occurs (inspect the mower for damage and make repairs before restarting and operating the mower).

# Safety

---

- Before clearing blockages.
- Whenever you leave the mower.

## **⚠ WARNING**

Hands, feet, hair, clothing, or accessories can become entangled in rotating parts. Contact with the rotating parts can cause traumatic amputation or severe lacerations.

- **Do Not** operate the machine without guards, shields, and safety devices in place and working properly.
  - **Keep hands, feet, hair, jewelry, or clothing away from rotating parts.**
- 
- **NEVER** carry passengers. **DO NOT** operate the mower when people, especially children, or pets are in the area.

## Safety and Instructional Decals

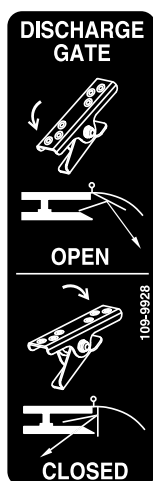
- Keep all safety signs legible. Remove all grease, dirt and debris from safety signs and instructional labels.
- Replace all worn, damaged, or missing safety signs.
- When replacement components are installed, be sure that current safety signs are affixed to the replaced components.
- If an attachment or accessory has been installed, make sure current safety signs are visible.
- New safety signs may be obtained from your authorized Exmark equipment dealer or distributor or from Exmark Mfg. Co. Inc.
- Safety signs may be affixed by peeling off the backing to expose the adhesive surface. Apply only to a clean, dry surface. Smooth to remove any air bubbles.
- Familiarize yourself with the following safety signs and instruction labels. They are critical to the safe operation of your Exmark commercial mower.



1-403005



98-5954



109-9928

# Setup

## Installing OCD02 on Mower Deck

**Important:** For Serial Numbers 790,000 and higher, multiple accessories added to a base unit can change the stability of the machine. Read the unit operator's manual to determine if counterbalance weights are necessary for the accessories installed on the unit.

1. Remove the floorpan.
2. Remove the discharge deflector from the deck.
3. Remove the bracket from the discharge deflector and retain the hardware.
4. Use the template provided as a guide to cut off the lip of the discharge deflector. Fold the template and align the three slots on the template with the discharge deflector as shown in Figure 2. Cut along the bottom portion and the outer edges on each side of template to remove the lip.

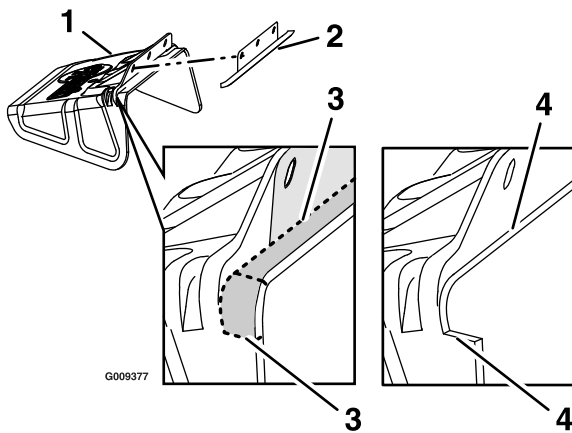


Figure 2

- |                        |                       |
|------------------------|-----------------------|
| 1. Discharge deflector | 3. Cut along template |
| 2. Template            | 4. Lip removed        |

5. Reassemble the bracket, that was removed in step 3, into the discharge deflector and fasten with its hardware.
6. Install the foot pedal onto the toe board as shown in Figure 3.

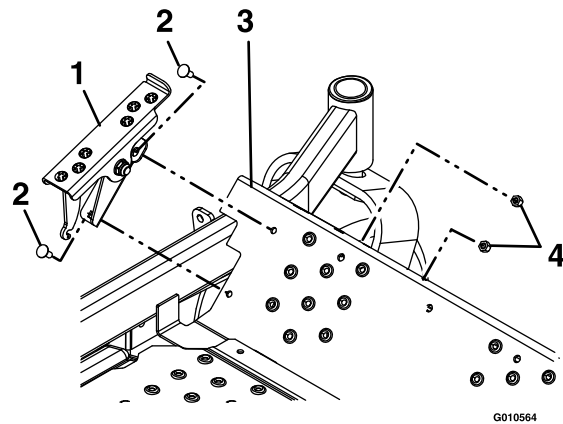


Figure 3

- |                                     |                      |
|-------------------------------------|----------------------|
| 1. Foot pedal                       | 3. Toe board         |
| 2. 5/16-18 x 3/4 inch carriage bolt | 4. 5/16-18 nyloc nut |

7. Install the cable bracket on the frame rail and position close to foot pedal as shown Figure 4. Secure the bracket with 5/16-18 x 2 1/4 inch carriage bolt and nyloc nut.

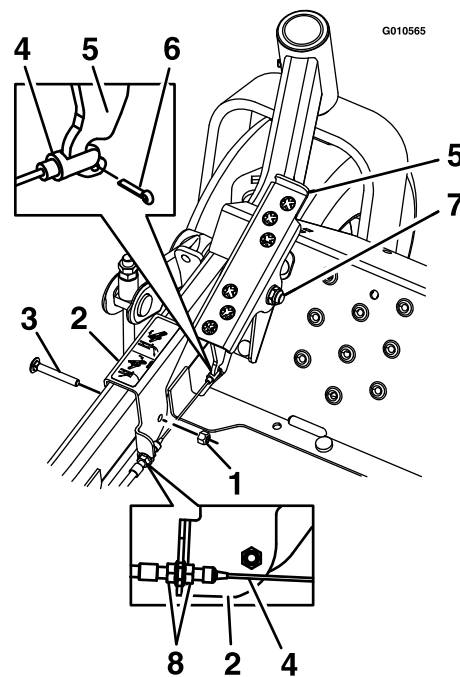


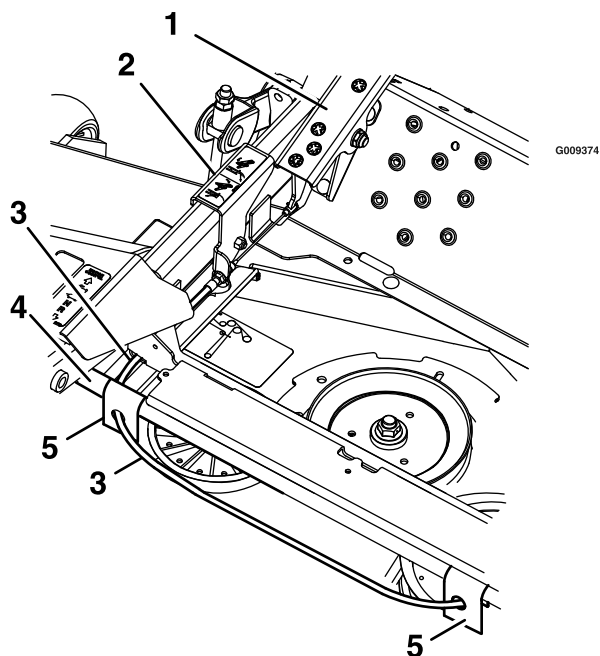
Figure 4

- |                                       |                            |
|---------------------------------------|----------------------------|
| 1. Nyloc nut                          | 5. Foot pedal              |
| 2. Cable bracket                      | 6. Cotter pin              |
| 3. 5/16-18 x 2 1/4 inch carriage bolt | 7. Bolt and nut adjustment |
| 4. Cable                              | 8. Cable nut               |

8. Hook the end of the cable onto the foot pedal and insert the cotter pin.



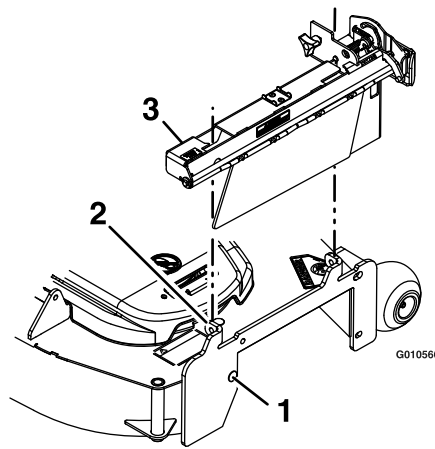
9. Place the cable into the cable bracket notch and secure with the two nuts. Make sure the nuts are centered on the bracket.
10. Wrap the cable hanger strap over the cross shaft and feed the loose end of the cable through the strap holes as shown in Figure 5. Route the cable around the back side of the cross shaft. Install the other cable hanger strap on the right side of the cross shaft. Set the cable aside.



**Figure 5**

- |                  |                       |
|------------------|-----------------------|
| 1. Foot pedal    | 4. Cross shaft        |
| 2. Cable bracket | 5. Cable hanger strap |
| 3. Cable         |                       |

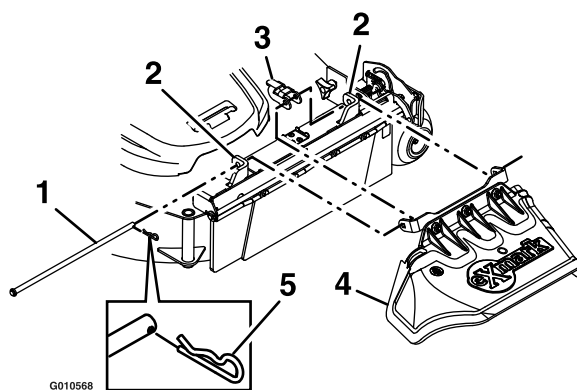
11. Install the gate linkage assembly onto the deck as shown in Figure 6. Make sure the discharge baffle bolt head is positioned to the outside of the deck. Turn the bolt around if necessary.



**Figure 6**

- |                               |                          |
|-------------------------------|--------------------------|
| 1. Discharge baffle bolt head | 3. Gate linkage assembly |
| 2. Deck tab                   |                          |

12. Insert the chute pivot rod through the first tab on the deck, gate linkage assembly, and discharge deflector (see Figure 7). Install the link pivot bracket onto the link pivot channel, located on the gate linkage assembly. Route the chute pivot rod through the link pivot bracket, the tabs on the deck, gate linkage assembly, and discharge deflector and install the hairpin. Orient the hairpin as shown in Figure 7.

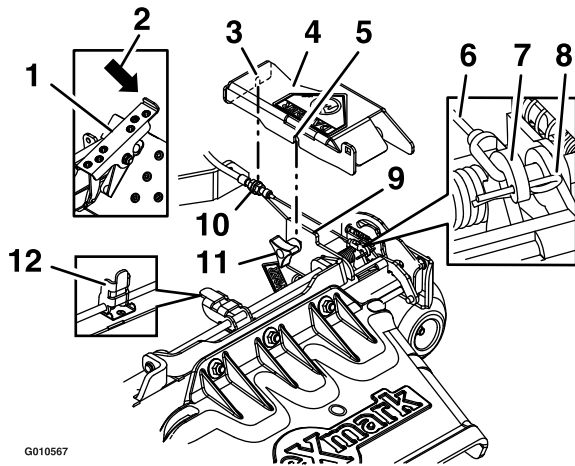


**Figure 7**

- |                       |                        |
|-----------------------|------------------------|
| 1. Chute pivot rod    | 4. Discharge deflector |
| 2. Deck tab           | 5. Hairpin             |
| 3. Link pivot bracket |                        |

13. Push down the front of the foot pedal and place the link pivot bracket in the unlocked position (Figure 8), attach the cable end onto the gate lift link. Orient the hairpin as shown in Figure 8 and install into the gate lift link.

## Product Overview

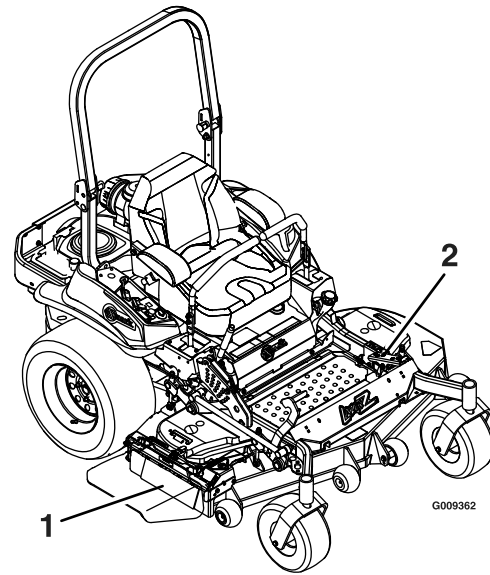


G010567

**Figure 8**

- |                     |  |
|---------------------|--|
| 1. Foot pedal       | 7. Gate lift link                              |
| 2. Push down        | 8. Hairpin                                     |
| 3. Rear cover notch | 9. Deck mount bracket                          |
| 4. Cover            | 10. Cable nuts                                 |
| 5. Side cover notch | 11. Knob                                       |
| 6. Cable            | 12. Link pivot bracket in<br>unlocked position |

## Product Overview



G009362

**Figure 9**

- |         |               |
|---------|---------------|
| 1. Gate | 2. Foot pedal |
|---------|---------------|

14. Place the rear cover notch between the two nuts on the loose end of the cable. Tighten nuts against the cover.
15. Place the side cover notch between the knob and the deck mount bracket on the gate linkage assembly and tighten.

# Operation

**Important:** Always mow with the discharge deflector installed and in the down position.

## ⚠ DANGER

An uncovered discharge opening will allow objects to be thrown in an operator's or bystanders's direction. Also contact with the blade could occur. Thrown objects or blade contact can cause serious injury or death.

Never operate the mower with the discharge deflector raised, removed, or altered unless there is a grass collection system or mulch kit in place and working properly.

## ⚠ DANGER

The rotating blades under the mower deck are dangerous. Blade contact can cause serious injury or kill you.

Do Not put hands or feet under the mower or mower deck when the blades are engaged.

## Opening the Discharge Gate

Push down on the back of the foot pedal to open the gate.

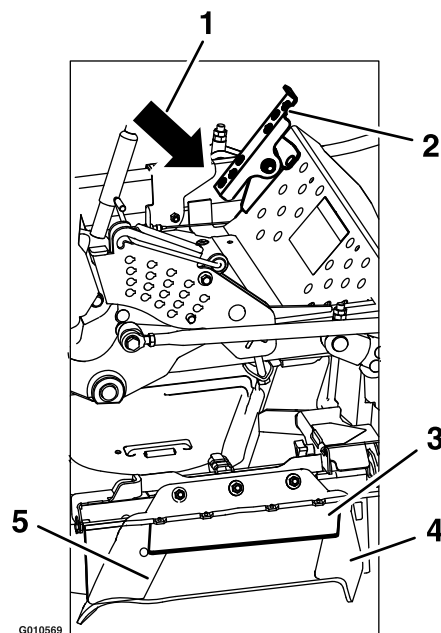


Figure 10

- |               |                        |
|---------------|------------------------|
| 1. Push down  | 4. Discharge deflector |
| 2. Foot pedal | 5. Discharge opening   |
| 3. Gate open  |                        |

## Closing the Discharge Gate

Push down on the front of the foot pedal to close the gate.

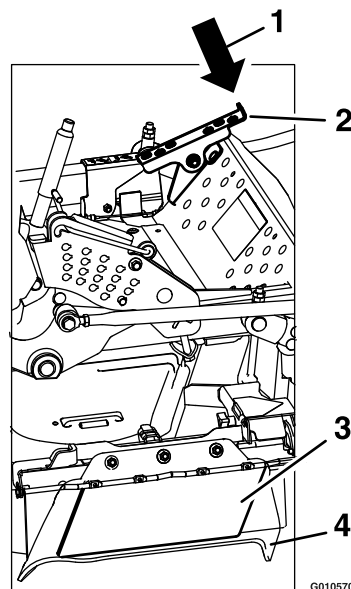


Figure 11

- |               |                        |
|---------------|------------------------|
| 1. Push down  | 3. Gate closed         |
| 2. Foot pedal | 4. Discharge deflector |

# Maintenance

**Note:** Determine the left and right sides of the machine from the normal operating position.

### **⚠ WARNING**

While maintenance or adjustments are being made, someone could start the engine. Accidental starting of the engine could seriously injure you or other bystanders.

Remove the key from the ignition switch, engage parking brake, and pull the wire(s) off the spark plug(s) before you do any maintenance. Also push the wire(s) aside so it does not accidentally contact the spark plug(s).

## **Adjustments**

**Note:** Disengage PTO, shut off engine, wait for all moving parts to stop, engage parking brake, and remove key before servicing, cleaning, or making any adjustments to the unit.

### **Foot Pedal Adjustment**

The foot pedal allows the gate to be held in any position. Adjust the pivot bolt and nut as shown in Figure 4 for more or less resistance.

### **Gate Adjustment**

1. Stop engine, wait for all moving parts to stop, and remove key. Engage parking brake.
2. Make sure the discharge baffle bolt head is positioned to the outside of the deck as shown in Figure 6. Turn the bolt around if necessary.
3. Place the foot pedal in the closed position, refer to **Closing the Discharge Gate** in the Operation section.
4. Try opening the gate with your hands. The gate should be locked into place. If the gate opens, the cable tension is too tight. Adjust the cable nuts at either end of the cable for less tension.

## Troubleshooting

**Important:** It is essential that all operator safety mechanisms be connected and in proper operating condition prior to mower use.

The following table lists some of the common causes of trouble. If assistance is needed, contact your Exmark Service Dealer.

**Note:** When disconnecting electrical connectors Do Not pull on the wires to separate the connectors.

Problem	Possible Cause	Corrective Action
Gate does not lock when closed.	1. Cable tension is too tight.	1. Adjust the cable nuts.
Gate does not open.	1. Cable is not tensioned properly. 2. Cable is disconnected at one or both ends.	1. Adjust the cable nuts. 2. Reconnect cable.
Pedal is too loose or tight.	1. Pivot bolt and nut not adjusted properly.	1. Adjust the bolt and nut for proper pedal feel.

# Exmark Commercial Attachments and Accessories

## 90 Day Limited Warranty

### Conditions and Products Covered

Exmark Mfg. Co. Inc. and its affiliate, Exmark Warranty Company, pursuant to an agreement between them, jointly warrant on the terms and conditions herein, that we will repair, replace or adjust any part on these products and found by us (in the exercise of our reasonable discretion) to be defective in factory materials or workmanship for a period of 90 days.

This warranty applies to Exmark commercial attachments and accessories sold in the U.S. or Canada. This warranty may only be assigned or transferred to a second (or third) owner by an authorized Exmark dealer. The warranty period commences upon the date of the original retail purchase.

This warranty only includes the cost of parts and labor.

### Items and Conditions Not Covered

This warranty does not cover the following:

- Pickup and delivery charges to and from any authorized Exmark Service Dealer.
- Any damage or deterioration due to normal use, wear and tear, or exposure.
- Cost of regular maintenance service or parts, such as filters, fuel, lubricants, tune-up parts, and adjustments.
- Any product or part which has been altered or misused or required replacement or repair due to normal wear, accidents, or lack of proper maintenance.
- Any repairs necessary due to use of parts, accessories or supplies, including gasoline, oil or lubricants, incompatible with the attachment or accessory or other than as recommended in the operator's manual or other operational instructions provided by Exmark.

All warranty work must be performed by an authorized Exmark Service Dealer using Exmark approved replacement parts.

### Instructions for Obtaining Warranty Service

The product must be registered with original proof of purchase by an Exmark Service Dealer before obtaining any warranty service.

Contact any Exmark Service Dealer to arrange service at their dealership. To locate a dealer convenient to you, access our website at [www.exmark.com](http://www.exmark.com). U.S. or Canada customers may also call 402-223-6375.

If for any reason you are dissatisfied with the Service Dealer's analysis or with the assistance provided, contact us at:

Exmark Customer Service Department  
The Exmark Warranty Company  
2101 Ashland Avenue  
Beatrice, NE 68310  
402-223-6375 or  
[service@exmark.com](mailto:service@exmark.com)

### Owner's Responsibilities

The Exmark attachment or accessory, including any defective part, must be returned to an authorized Exmark service dealer within the warranty period. This warranty extends only to commercial attachments and accessories operated under normal conditions. You must read the operator's manual. You must also properly service and maintain your Exmark product as described in the operator's manual or other operational instructions provided by Exmark. Such routine maintenance, whether performed by a dealer or by you, is at your expense.

### General Conditions

The sole liability of Exmark and Exmark Warranty Company with respect to this warranty shall be repair or replacement of defective components as set forth herein. **Neither Exmark nor Exmark Warranty Company shall be liable for any incidental or consequential loss or damage.**

Such damages include but are not limited to:

- Expenses related to gasoline, oil or lubricants.
- Travel time, overtime, after hours time or other extraordinary repair charges or charges relating to repairs or replacements outside of normal business hours at the place of business of the authorized Exmark Service Dealer.
- Rental of like or similar replacement equipment during the period of any warranty, repair or replacement work.
- Any telephone or telegram charges or travel charges.
- Loss or damage to person or property other than that covered by the terms of this warranty.
- Any claims for lost revenue, lost profit or additional cost as a result of a claim of breach of warranty.
- Attorney's fees.

No Claim of breach of warranty shall be cause for cancellation or rescission of the contract of sale of any Exmark attachment or accessory.

**All implied warranties of merchantability (that the product is fit for ordinary use) and fitness for use (that the product is fit for a particular purpose) are limited to the duration of the express warranty.**

**Some states do not allow exclusions of incidental or consequential damages, or limitations on how long an implied warranty lasts, so the above exclusions and limitations may not apply to you.**

This warranty gives you specific legal rights, and you may also have other rights which vary from state to state.



## SEE EXMARK'S COMPLETE LINE OF ACCESSORIES AND OPTIONS

### MID-MOUNT RIDING ACCESSORIES AND OPTIONS

CUSTOM RIDE SEAT SUSPENSION SYSTEM	OPERATOR CONTROLLED DISCHARGE
FULL SUSPENSION SEAT	ROLL OVER PROTECTION SYSTEM (ROPS)
DECK LIFT ASSIST KIT	SUN SHADE
HITCH KIT	TRASH CONTAINER
LIGHT KIT	TURF STRIPER
12V POWER PORT	ULTRA VAC COLLECTION SYSTEM
MICRO-MULCH SYSTEM	ULTRA VAC QUICK DISPOSAL SYSTEM

### OUT-FRONT RIDING ACCESSORIES AND OPTIONS

CUSTOM RIDE SEAT SUSPENSION SYSTEM	SNOW BLADE
DUAL-TAIL WHEEL	SNOWBLOWER
FLOOR PAN EXTENDER	SUN SHADE
HITCH KIT	TRASH CONTAINER
LIGHT KIT	ULTRA VAC COLLECTION SYSTEM
MICRO-MULCH SYSTEM	ULTRA VAC QUICK DISPOSAL SYSTEM
ROLL OVER PROTECTION SYSTEM (ROPS)	WEATHER CAB

### WALK-BEHIND ACCESSORIES AND OPTIONS

GRASS CATCHER	TURF STRIPER
MICRO-MULCH SYSTEM	STANDON

Date Purchased \_\_\_\_\_

© 2009 Exmark Mfg. Co., Inc.  
Industrial Park Box 808  
Beatrice, NE 68310  
All Rights Reserved

Part No. 4500-482 Rev. B  
(402) 223-6300  
Fax (402) 223-5489  
Printed In USA



[www.exmark.com](http://www.exmark.com)



## Free Manuals Download Website

<http://myh66.com>

<http://usermanuals.us>

<http://www.somanuals.com>

<http://www.4manuals.cc>

<http://www.manual-lib.com>

<http://www.404manual.com>

<http://www.luxmanual.com>

<http://aubethermostatmanual.com>

Golf course search by state

<http://golfingnear.com>

Email search by domain

<http://emailbydomain.com>

Auto manuals search

<http://auto.somanuals.com>

TV manuals search

<http://tv.somanuals.com>