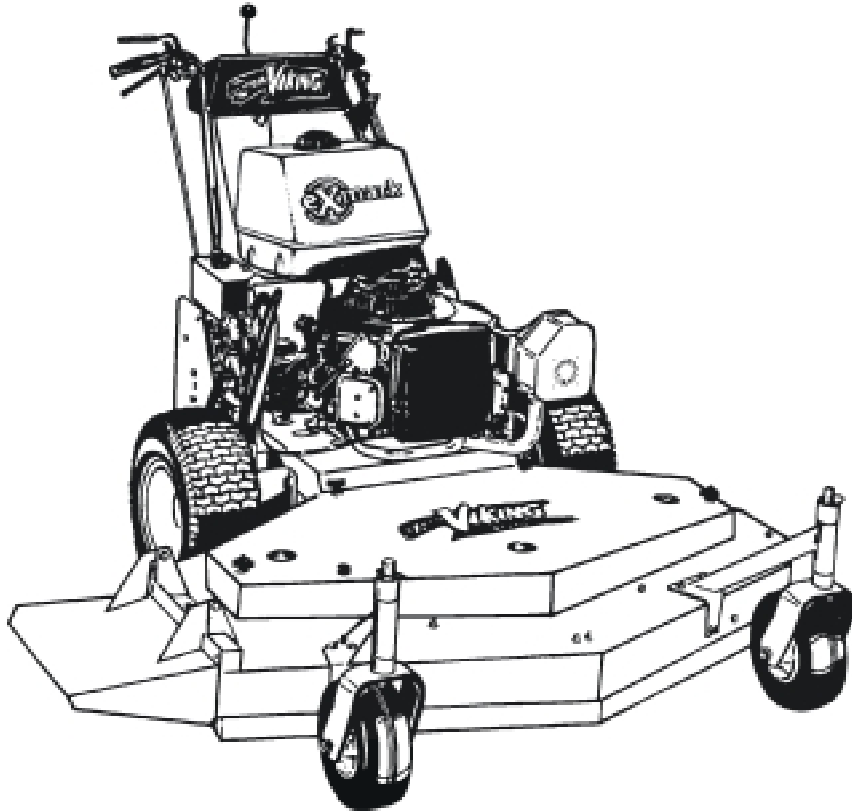


For Serial Nos.  
260,000 & Higher



# PARTS MANUAL

# VIKING HYDRO

CONGRATULATIONS on the purchase of your new Exmark mower. This product has been carefully designed and manufactured to give you a maximum amount of dependability and years of trouble-free operation.

If additional information is needed, or should you require trained mechanic service, contact your authorized Exmark equipment dealer or distributor.

If you need to order replacement parts from your dealer, always give the model number and serial number of your mower as well as the part number, description and quantity of the part needed.

The Serial No. plate is located on top front engine frame on the right hand side of the machine.

For ease of ordering and reference, we suggest that you record the information requested in the following identification table.

Model No. \_\_\_\_\_

Serial No. \_\_\_\_\_

Engine Model No. \_\_\_\_\_

Engine Serial No. \_\_\_\_\_

Date Purchased \_\_\_\_\_

Paste Label From  
Literature Packet Here

# EXMARK PARTS PLUS® PROGRAM

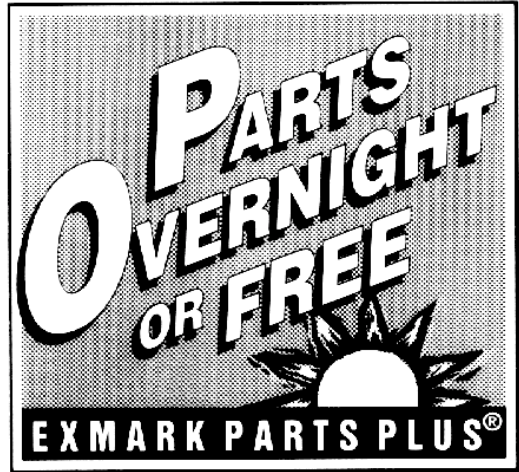
EFFECTIVE DATE: September 1, 1995

## Program

If your Exmark dealer does not have the Exmark part in stock, Exmark will get the parts to the dealer the next business day or the part will be FREE\* Guaranteed!!

## *How the Program Works*

1. If dealer does not have part in stock for a "down" unit at the time of request by customer, the dealer contacts his distributor by 1:00 p.m., local time, and requests Exmark Parts Plus® shipment of six (6) line items or less.
2. Distributor ships part(s) to dealer or customer, as requested by dealer, same day, overnight UPS Distributor bills dealer for part and freight charges where applicable.
3. If distributor does not have the part(s) in stock to satisfy Exmark Parts Plus® order, he contacts Exmark by 3:00 p.m., central time, with an Exmark Parts Plus® order of six (6) line items or less.
4. If order is received by 3:00 p.m. central time, Exmark ships part(s) direct to dealer or customer, as requested by distributor, same day, overnight UPS Exmark bills the distributor for parts and shipping charges, where applicable.
5. The customer pays for the part and freight if it is shipped under the Exmark Parts Plus® and if it arrive in accordance to the program.
6. Who pays for the part and freight if it fails to arrive overnight in accordance to the program?
  - A. Under any circumstance the customer does not pay.
  - B. If the part does not arrive overnight due to:
    1. The dealer not submitting the Exmark Parts Plus® order to his Exmark distributor by 1:00 p.m., the dealer pays for the part and freight.
    2. The Distributor being unable to ship the part the same day or not submitting the Exmark Parts Plus® order to Exmark by 3:00 p.m., central time, the Distributor pays for the part and freight.
    3. Exmark being unable to ship the part and the Exmark parts order is received by 3:00 p.m., central time, Exmark pays for the part and freight.
    4. If the part does not arrive overnight due to the shipper (UPS), the shipper pays for the freight and Exmark pays for the part.



**The following restrictions apply** -- The Exmark Parts Plus® Program is available only through participating Exmark Dealers and applies only to orders submitted on this program Monday through Thursday. Parts Plus service is available only in the 48 contiguous United States. UPS has initiated a Saturday delivery program to many areas of the continental United States and can be requested for an overnight shipment on Friday to be delivered Saturday. The next day air charge, plus the Saturday delivery fee will be the responsibility of the purchaser. Exmark Mfg. will assume no responsibility for Saturday delivery shipments. To qualify, all Exmark Parts Plus® orders must be received by Exmark by 3:00 p.m., central time. Orders must be six (6) line items or less. Exclusions from the Exmark Parts Plus® Program are: Any wholegood or accessory in its entirety, engines and engine replacement parts, 5-speed Peerless transmissions and 5-speed transaxles, hydraulic or hydrostatic wheel motors, cutter decks and engine decks or any item exceeding United Parcel Service size and weight restrictions.

Due to UPS restrictions, aerosol spray paint is considered a hazardous material and cannot be shipped via UPS next day or Second Day Air.

Exmark Manufacturing stocks a limited supply of parts for transaxles, pumps and wheel motors. These parts can be ordered for Next Day Air shipment but will not be guaranteed per the Parts Plus Program.



**READ OPERATOR'S MANUAL BEFORE  
OPERATING OR SERVICING EXMARK EQUIPMENT.**

## **TABLE OF CONTENTS**

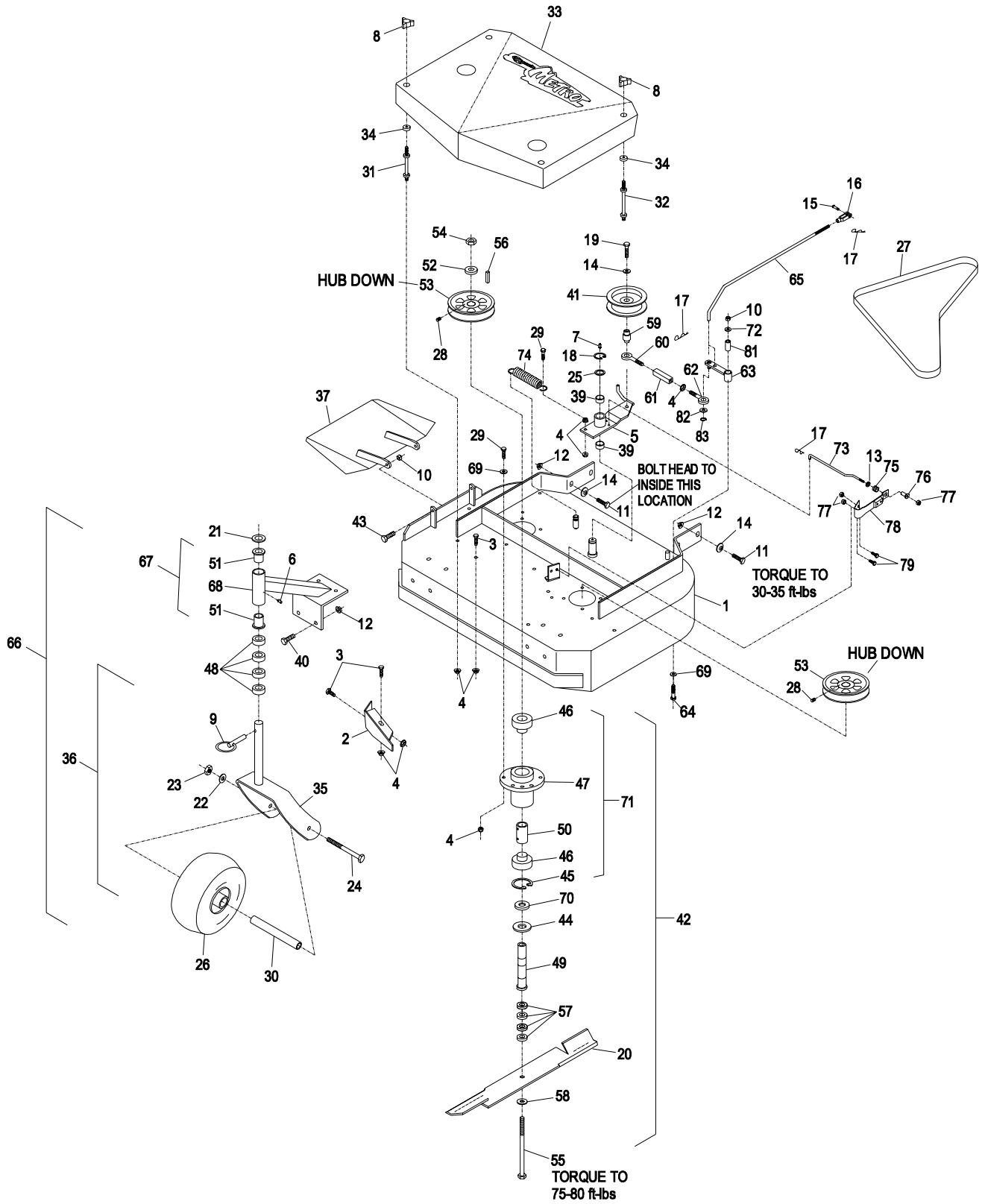
<b><u>Description</u></b>	<b><u>Page</u></b>
Decals.....	12
Engine Deck Group.....	6-8
48" Mower Deck .....	4-5
Hydraulics Group .....	9
36" Mower Deck .....	2-3
Upper Handles & Controls .....	10-11
Wiring Diagrams .....	13

### 36" MOWER DECK

Ref. No.	Part No.	Description	Qty. Req'd.	Ref. No.	Part No.	Description	Qty. Req'd.
1★	1-304267	Front Deck w/decals & dogleg.....	1	39	1-323729	Powder metal bearing .....	2
	1-302235-01	Deck weldmt .....	1	40	323-4	3/8-16 x 3/4 HH capscrew .....	8
2	1-302189-01	Baffle wldmnt, dogleg.....	1	41	1-603843	Idler pulley (heavy duty).....	1
3	322-2	Screw, 5/16-18 x 5/8 .....	7	42*	1-324265	Cutter Housing Complete .....	2
4	32128-20	5/16-18 Whizlock nut.....	23	43	322-5	5/16-18 x 1 HH capscrew .....	2
5	1-324408	Engagement arm w/bushing (36")..	1	44	1-633573	Guard, bottom .....	2
6	302-52	Grease Zerk, 1/8 NPT straight.....	2	45	32120-8	Retaining ring .....	2
7	302-19	Grease Zerk, 1/4-28 straight.....	1	46▽	1-513016	Bearing .....	4
8	1-323385	Knob, belt cover .....	4	47	1-323532	Cutter housing .....	2
9	1-809020	Quick pin, 10" caster .....	2	48	1-303314	Spacer, 10" caster .....	8
10	3296-29	5/16-18 Nyloc hex nut.....	2	49	1-323529	Tube, spindle.....	2
11	323-6	3/8-16 x 1 HH capscrew .....	6	50	1-323528	Spacer .....	2
12	3290-357	3/8-16 whizlock nut .....	14	51	1-303514	Flange , thrust bearing .....	4
13	1-323748	Ring, push-on 7/16 .....	1	52	1-323339	Retaining washer, sheave .....	2
14	98-5975	3/8 Disc spring washer .....	7	53▽	1-403183	Pulley.....	2
15	1-808280	5/16 x 1 Clevis pin .....	1	54	3219-6	5/8-18 UNF hex nut .....	2
16	1-303105	Yoke .....	1	55	1-800861	5/8-18 x 8 HH Capscrew (Gr 5)...	2
17	1-806003	Cotter hairpin.....	3	56	1-807267	Key, 1/4 x 3/16 x 1 1/4.....	2
18	32151-103	E-Ring for .875 rd.....	1	57	1-323539	Spacer, blade drive.....	8
19	323-10	3/8-16 x 2 capscrew.....	1	58	1-513208	5/8 Spring disc washer .....	2
20	1-633482	Blade, Notched air foil (36") .....	2	59	1-303434	Engagement bushing .....	1
	1-613251	Blade, Solid air foil (36").....	2	60	1-303348	Eye bolt (left hand thread).....	1
	• 1-633484	Blade, Mulching (36") .....	2	61	1-303236	Turnbuckle body.....	1
	1-633485	Blade, Low Lift (36") optional.....	2	62	1-303238	Eye bolt (right hand thread).....	1
21	1-513338	Washer, special .....	2	63	1-322235	Assist arm (36").....	1
22	3253-7	1/2 spring lockwasher .....	2	64	322-10	Screw, 5/16-18 X 2 .....	1
23	3217-9	1/2-13 Hex nut.....	2	65	1-323303	Assist arm linkage.....	1
24	325-20	1/2-13 x 6 HH capscrew.....	2	66	1-322153	Caster/mount, complete.....	1
25	1-303352	Washer, spindle .....	1	67	1-302203	Caster wheel support w/bearings	2
26	1-513648	Wheel & tire, complete.....	2	68	1-302194-01	Caster wheel support wldmnt.....	2
	1-513807	Wheel & hub.....	1	69	1-303334	5/16 Spring disc washer .....	8
	1-513808	Tire, 9 x 3.50-4 4-ply .....	1	70	1-323533	Spacer .....	2
	1-513809	Roller bearing .....	1	71	1-634619	Housing w/Brg, Spacer and Ring	2
	1-513810	Bushing.....	2	72	3256-3	Wshr, flat std 5/16 .....	1
27	1-323735	Drive belt (to blades) 36" Model ..	1	73	1-323715	Rod, brake 36" .....	1
◆28	1-803310	Setscrew, 5/16-18 x 3/8 .....	2	74	1-323071	Spring.....	1
29	322-6	5/16-18 x 1 1/4 HH capscrew .....	9	75	1-323747	Spring, compression .....	1
30	1-513547	Spacer, front caster.....	2	76	1-323746	Spacer, flanged .....	2
31	1-303537	Stud, belt shield (short) .....	2	77	3296-42	Nut, nyloc 1/4 - 20 .....	2
32	1-303536	Stud, belt shield (long).....	2	78	1-324372	Pad/spring assy.....	1
33	1-302218	Kit,shield w/decals 36".....	1	79	321-4	Screw, HHCap 1/4-20 X 3/4 .....	2
	1-302213-01	Shield weldmt, 36" .....	1	81	1-403179	Tube, pivot.....	1
34	1-323417	Washer, belt cover mount.....	4	82	3256-23	Wshr, flt SAE 5/16.....	1
35	1-322145-01	Fork wldmnt, caster.....	2	83	32120-35	E-ring .....	1
36	1-322154	Caster wheel assembly .....	2				
37	1-302233-01	Chute.....	1				
38	3296-56	Nut, nyloc 1/4-20 thin.....	1				

- ◆ Use Pro-lock Nut Type (p/n 1-840022 .5 ml tube) on the setscrews
- Requires installation of Micro-Mulch accessory for proper mulching. Mulch kit P/N MK362(36")
- \* Cutter housing complete includes sheave, washer, and nut and does not include blade.
- ★ Deck weldment does include welded in flow control baffles.
- ▽ Use antisieze on bore of sheaves & bearings  
Exmark red touch up spray paint - P/N 1-850337

# 36" MOWER DECK

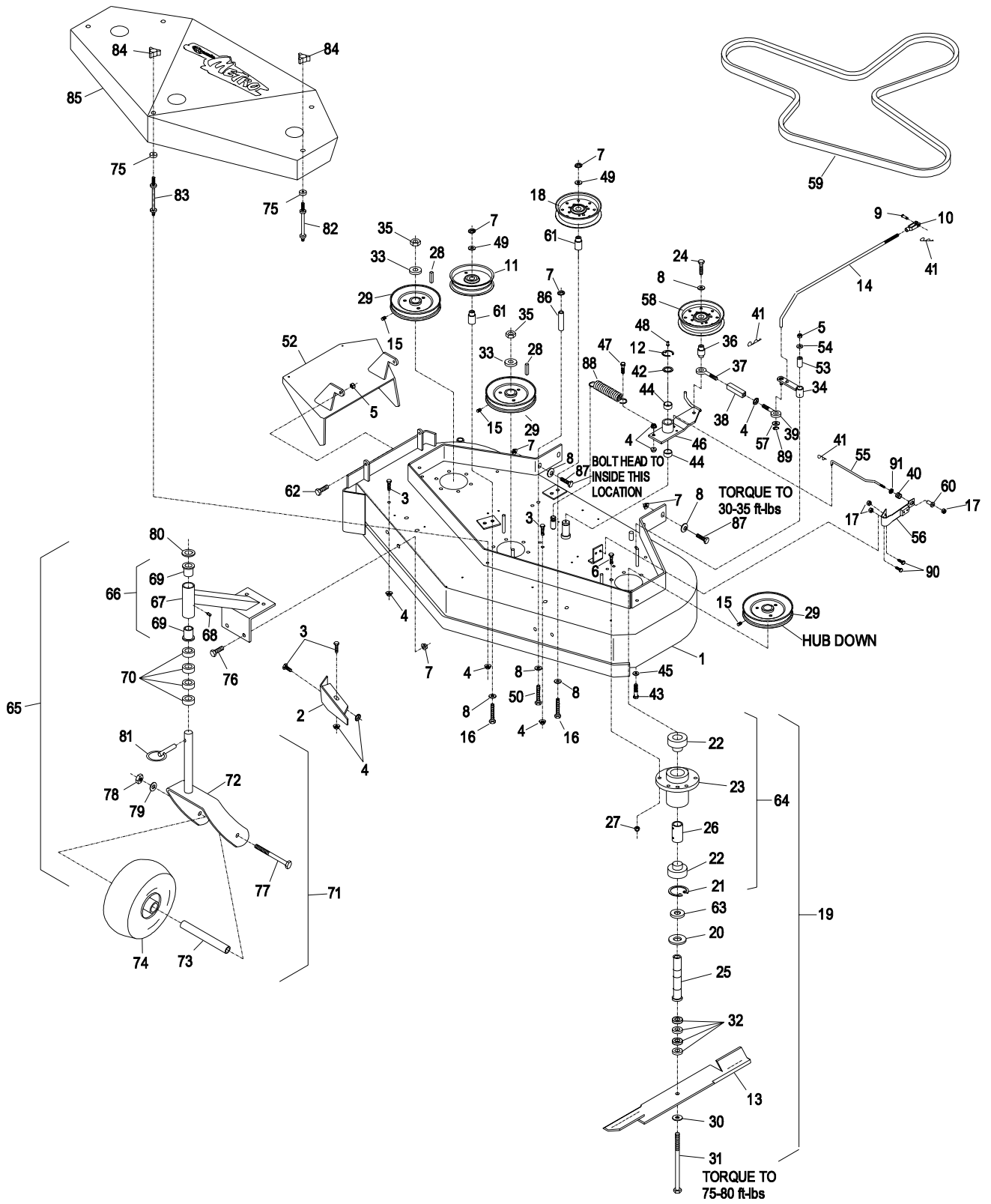


## 48" MOWER DECK

Ref. No.	Part No.	Description	Qty. Req'd.	Ref. No.	Part No.	Description	Qty. Req'd.
*1	1-404257	Front Deck w/decals & dogleg.....	1	48	302-19	Zerk 1/4-28 strt .....	1
*	1-402108-01	Deck Weldmt, (48").....	1	49	3256-24	3/8 Flatwasher .....	2
2	1-402107-01	Baffle, dogleg .....	1	50	323-20	3/8-16 x 3¼ HH Capscrew.....	1
3	322-2	5/16-18 x 5/8 HH capscrew.....	7	51	3296-56	Nut, nyloc ¼-20 .....	1
4	32128-20	5/16-18 Whizlock nut.....	15	52	1-402106-01	Chute wldmt.....	1
5	3296-29	5/16-18 Nyloc hex nut.....	3	53	1-403179	Tube, pivot .....	1
6	323-7	3/8-16 x 1 1/4 HH capscrew .....	18	54	3256-3	Washer, Flat Std 5/16.....	1
7	3290-357	3/8-16 whizlock nut .....	17	55	1-323714	Rod brake 48" LH .....	1
8	98-5975	3/8 disc spring washer.....	10	56	1-324372	Pad/spring assy.....	1
9	1-808280	5/16 x 1 Clevis pin .....	1	57	3256-23	5/16 SAE flat washer .....	1
10	1-303105	Yoke .....	1	58	1-603843	Pulley, idler (heavy duty) .....	1
11	1-613098	Idler pulley "V" .....	1	59	1-403174	Drive belt (main deck) 48".....	1
12	32151-103	E-Ring for .875 rd.....	1	60	1-323746	Spacer, flanged .....	1
13	1-323515	Blade, Notched air foil (48").....	3	61	1-403184	Bushing .....	2
	1-413438	Blade, Solid air foil (48") .....	3	62	322-5	5/16-18 x 1 HH capscrew.....	2
•	1-403148	Blade, mulching (48") .....	3	63	1-323533	Spacer.....	3
	1-403149	Blade, Low Lift (48") optional.....	3	64	1-634619	Housing w/Brg, Spacer and Ring	3
14	1-323303	Assist arm linkage.....	1	65	1-322153	Caster/mount, complete.....	2
◆15	1-803310	Setscrew, 5/16-18 x 3/8.....	3	66	1-302203	Caster wheel support w/bearings.	2
16	323-13	3/8-16 x 2 3/4 HH capscrew .....	2	67	1-302194-01	Caster wheel support wldmnt .....	2
17	3296-42	Nut, nyloc ¼ - 20.....	2	68	302-52	Grease zerk, 1/8 N.P.T. ....	2
18	1-403186	Idler pulley .....	1	69	1-303514	Flange, thrust bearing .....	4
19*	1-324265	Cutter Housing Complete .....	2	70	1-303314	Spacer, 10" caster.....	8
20	1-633573	Guard, bottom .....	3	71	1-322154	Caster wheel assembly.....	2
21	32120-8	Retaining ring .....	3	72	1-322145-01	Fork wldmnt, caster .....	2
22▲	1-513016	Bearing .....	6	73	1-513547	Spacer, front caster.....	2
23	1-323532	Cutter housing.....	3	74	1-513648	Wheel & tire, complete.....	2
24	323-10	3/8-16 x 2 HH Capscrew .....	1		1-513807	Wheel & hub .....	2
25	1-323529	Cutter spindle tube .....	3		1-513808	Tire, 9 x 3.50-4 4-ply.....	2
26	1-323528	Spacer .....	3		1-513809	Roller bearing.....	2
27	3296-39	Nut, nylock 3/8-16 .....	18		1-513810	Bushing .....	4
28	1-807267	Key, 1/4 x 3/16 x 1 1/4.....	3	75	1-323417	Washer, belt cover mount.....	5
29▲	1-403183	Pulley.....	3	76	323-4	3/8-16 x 3/4 HH capscrew.....	8
30	1-513208	5/8 Spring disc washer.....	3	77	325-20	1/2-13 x 6 HH capscrew.....	2
31	1-800861	5/8-18x8 HH Capscrew(Gr5).....	3	78	3217-9	1/2-13 Hex nut .....	2
32	1-323539	Spacer, blade drive .....	12	79	3253-7	1/2 spring lockwasher .....	2
33	1-323339	Washer, retainer (sheave).....	3	80	1-513338	Washer, special .....	2
34	1-322230	Assist arm (48").....	1	81	1-809020	Quick pin, 10" caster .....	2
35	3219-6	5/8-18 UNF hex nut.....	3	82	1-303537	Stud, belt shield (short).....	2
36	1-303434	Engagement bushing .....	1	83	1-303536	Stud, belt shield (long).....	3
37	1-303348	Eye bolt (left hand thread) .....	1	84	1-323385	Knob, belt cover.....	5
38	1-303236	Turnbuckle body.....	1	85	1-404237	Kit,shield w/decals 48" .....	1
39	1-303238	Eye bolt (right hand thread).....	1		1-402100-01	Shield weldmt, 48" .....	1
40	1-323747	Spring, compression .....	1	86	1-403188	Spacer, belt guide.....	1
41	1-806003	Cotter hairpin.....	3	87	323-6	3/8-16 x 1 HH capscrew.....	6
42	1-303352	Washer, spindle .....	1	88	1-323071	Spring 5sp/dr idler.....	1
43	322-10	Screw, 5/16-18 X 2.....	1	89	32120-35	E - ring .....	6
44	1-323729	Powder metal bearing .....	2	90	321-4	1/4-20 X 3/4 HH capscrew .....	2
45	1-303334	Washer, Sprg Disc 5/16 .....	1	91	1-323748	Ring, push-on 7/16.....	1
46	1-402109	Engagement arm w/bushings.....	1				
47	322-6	5/16-18 1 1/4 HH capscrew.....	1				

- ◆ Use Pro-lock Nut Type (p/n 1-840022 .5 ml tube) on the setscrews
- Requires installation of Micro-Mulch accessory for proper mulching. Mulch kit P/N's MK483 Exmark red touch up spray paint - P/N 1-850337
- \* Deck weldmt does include welded in flow control baffles.
- \* Cutter housing complete includes sheave, washer, and nut and does not include blade.
- ▲ Use antisieze on bore of sheaves & bearings.

# 48" MOWER DECK



## ENGINE DECK GROUP

Ref. No.	Part No.	Description	Qty. Req'd.	Ref. No.	Part No.	Description	Qty. Req'd.
1	1-807019	Key, woodruff 1 x 1/4.....	2	35	1-807272	Key, 5mm sq. x 25mm .....	2
2	1-803040	Nut, slotted 3/4-16 .....	2	36	322-7	Screw, 5/16-18x1½ HHCS .	3
3	1-806800	Pin, cotter 9/64 x 1-1/2 .....	2	37	1-603044	Bushing - Idler pivot .....	1
4	242-50	Nut, wheel 1/2-20 .....	8	38	3290-357	3/8-16 Whizlock Nut.....	19
5	1-413473	Tire & Wheel Assembly....	2	39	1-653035	Pulley, pump drive.....	1
	1-413474	Tire 16 x 6.50-8 .....	1	40	1-402113-01	Deck, engine wldmt .....	1
	1-603715	Wheel .....	1	41	1-809062	Bolt, .500 x 1.75(shoulder)	1
6	1-602997	Hub,tapered(4 bolt)w/stds	2	42	302-40	Zerk .....	1
	1-633926	Stud, wheel 1/2-20 .....	8	43	1-322108	Bellcrank assy. w/zerk .....	1
7	3234-12	Screw, whizloc 3/8-16x3/4	8		1-322086-01	Bellcrank weldmt.....	1
8	323-6	Screw, 3/8-16 x 1.....	8	44	1-806003	Hairpin.....	2
9	98-5975	Washer, 3/8 spring disc....	8	45	1-323172	Linkage, blade engmnt. ....	1
10	1-322162-01	Mount, motor (36") .....	2	46	3296-29	Nut, nylock 5/16-18 .....	3
	1-402062-01	Mount, motor (48") .....	2	47	1-323245	Spring, compression .....	1
11	1-523157	Washer, spacer .....	2	48	1-322090-01	Bellcrank .....	1
12	1-373034	Washer, swivel .....	2	49	322-10	Screw, 5/16-18 x 2 .....	1
13	1-303334	Washer, 5/16 spring disc..	4	50	1-513051	Switch, blade engagement	1
14	1-603610	Washer, 7/16 spring disc..	2	51	3296-2	Nut nylock 10-24 .....	3
15◆	1-403160	Sheave, blade drive (48") .	1	52	1-323213	Bracket, switch.....	1
	1-643292	Sheave, blade drive (36") .	1	53	3290-500	Screw, 10-24 x 5/8 .....	2
16∇	30-1710	Setscrew, 5/16-18 x 1.....	1	54	321-3	Screw, 1/4-20 x 5/8 .....	2
17	1-807259	Key, 1/4 sq. x 1 .....	2	55	3212-6	Screw, 7/16-20 x 1 1/2 .....	1
18∇	1-803050	Setscrew, 5/16-18 x 3/4....	1	56	3256-24	Washer, 3/8 (SAE) .....	1
19∇	1-803310	Setscrew, 5/16-18 x 3/8....	2	57	32128-33	Nut, whizlock 1/4-20.....	2
20	1-603843	Idler, pulley .....	1	58	3256-23	Washer, 5/16 flat .....	2
21	1-603496	Bushing, idler.....	1	59	322-3	Screw, 5/16-18 x 3/4 .....	2
22	3231-29	Screw, 3/8-16 x 1-3/4 .....	1	60	323-4	Screw, 3/8-16 x 3/4 .....	2
23	3253-5	Lockwasher, 3/8 .....	1	61	1-633068	Arm .....	1
24	323-12	Screw, 3/8-16 x 2-1/2 .....	1	62	1-323607	Shield, Trailing .....	1
25	1-373034	Washer, swivel .....	1	63	302-19	Zerk, 1/4-28 STRT .....	1
26	1-513034	Bearing, pivot .....	2	64	323-11	Screw, 3/8-16 x 2 1/4 .....	1
27	1-602521-01	Arm, assy idler (w/brgs) ...	1	65	1-323366	Split ring .....	1
	1-602458	Arm, assy idler (w/o brgs).	1	66	3296-39	Nut, 3/8-16 nylock .....	1
28	1-603402	Spring, extension.....	1	67	323-23	Screw, 3/8-16 x 4 1/2 .....	1
29	322-5	Screw, 5/16-18 x 1.....	1	68	1-323365	Chain, twist link .....	1
30	1-603801	Anchor, spring .....	1	69	3256-14	Washer, #10.....	1
31	32128-20	Nut, whizlock 5/16-18.....	6	70	1-809069	Screw, 10-24x7/8HxSktHd	1
32	1-653163	Belt, pump drive .....	1	71	1-413510	Clip, loom 1/2 .....	2
33∇	1-803050	Setscrew, 5/16-18 x 3/4....	4	72	323-13	Screw, 3/8-16 x 2 3/4 .....	3
34	1-413010	Sheave - pump .....	2	73	322-9	Screw, 5/16-18 x 1 ¾.....	1
				74	1-322110	Guide,Belt.....	1

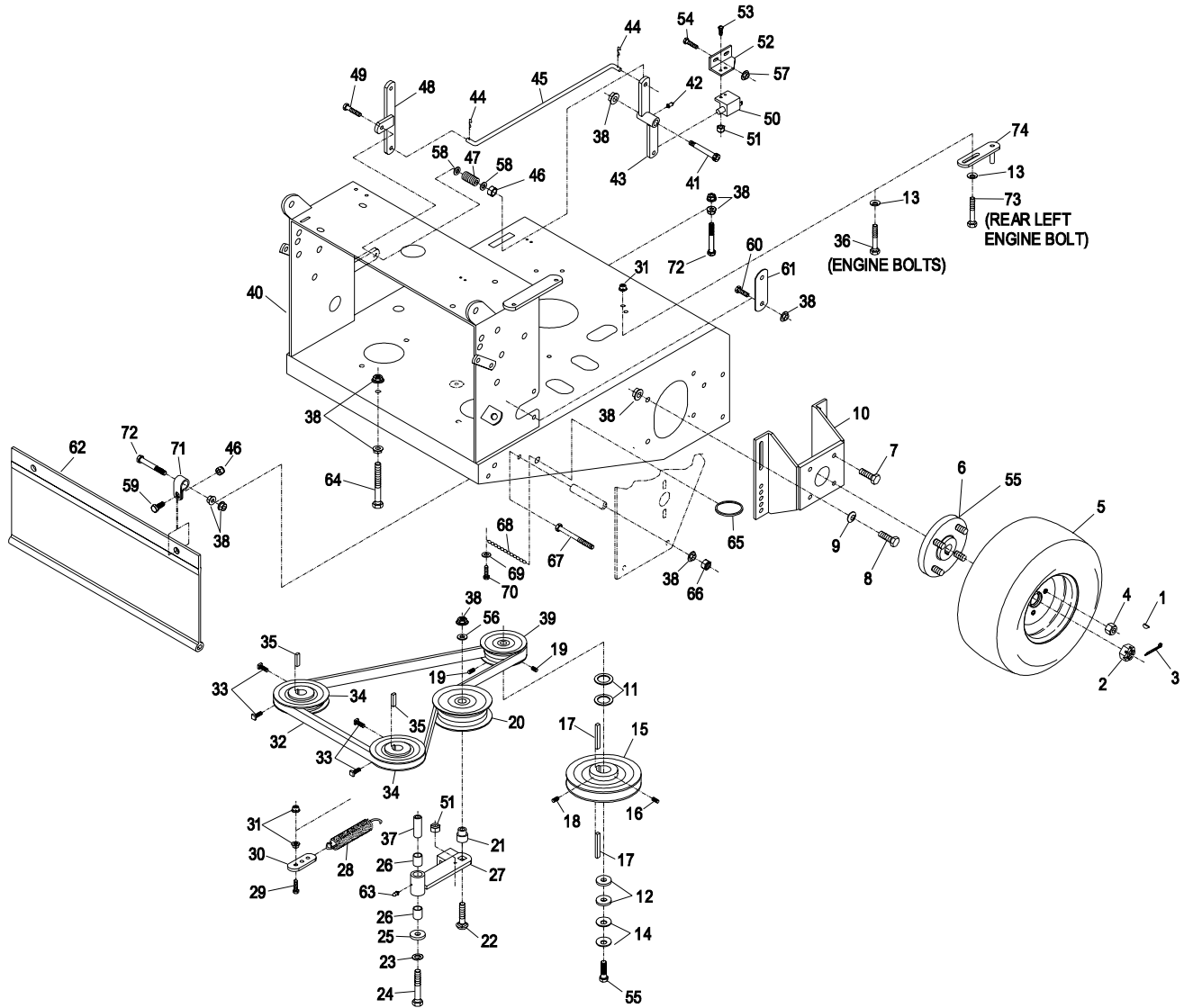
◆ Use anti-seize compound on pulley bore.

∇ Use Pro-Lock (nut type, Part no. 1-840022, 5 ml tube) on setscrew threads.

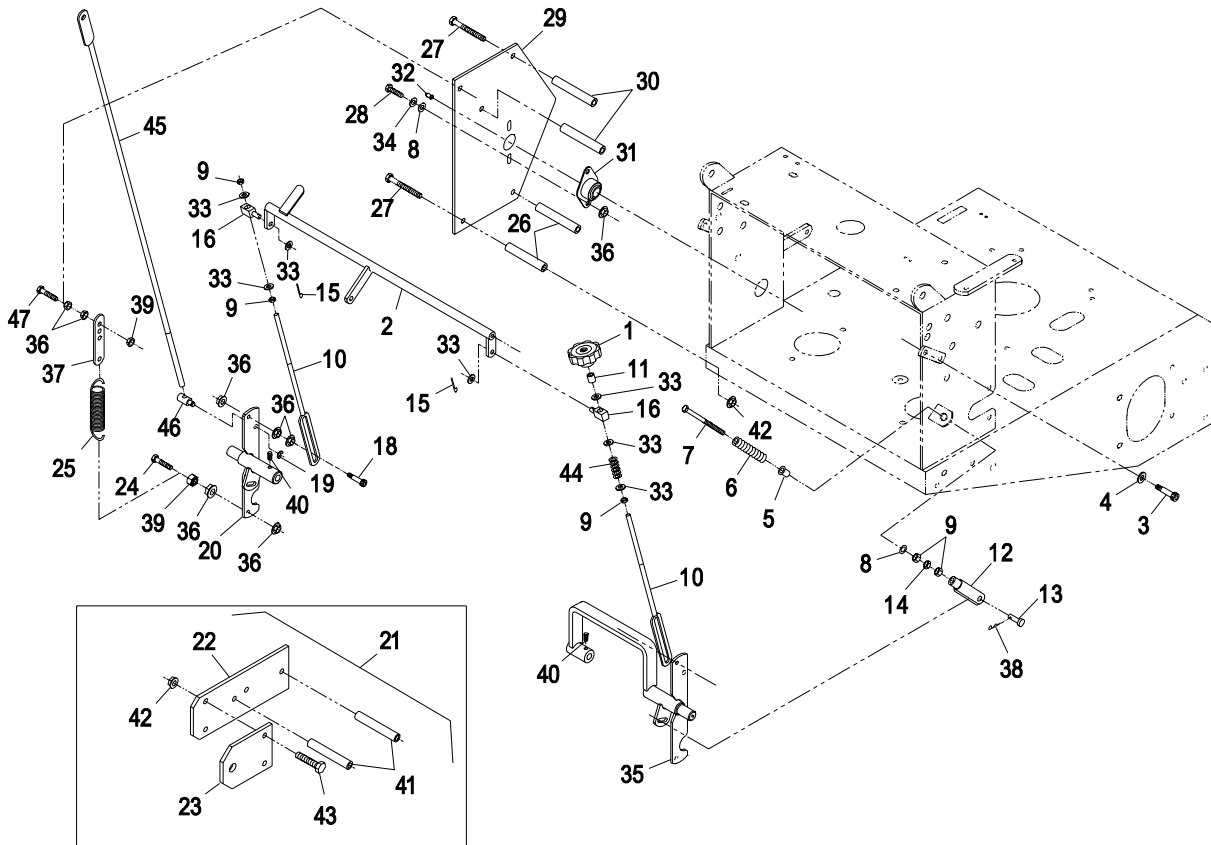
Exmark red touch up spray paint - P/N 1-850337



# ENGINE DECK GROUP



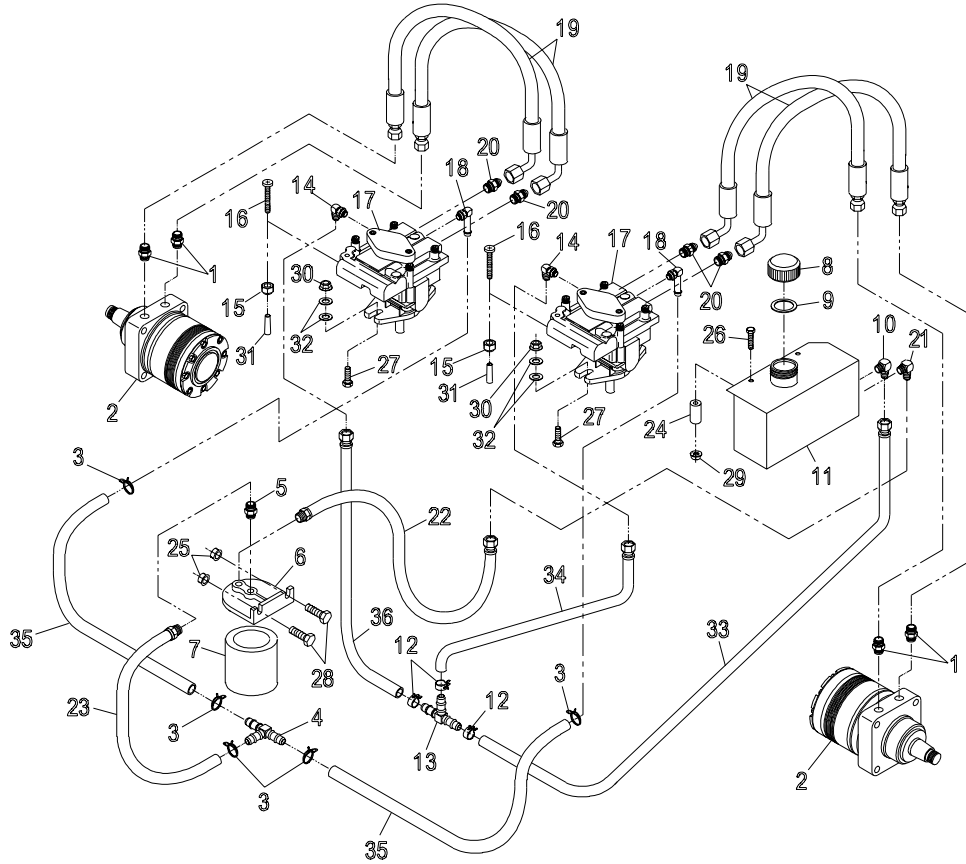
## ENGINE DECK GROUP (cont.)



Ref. No.	Part No.	Description	Qty. Req'd.	Ref. No.	Part No.	Description	Qty. Req'd.
1	1-413151	Knob, tracking .....	1	24	322-6	Screw, 5/16-18 x 1-1/4 .....	2
2	1-412203-01	Crank weldmt .....	1	25	1-603693	Spring, extension .....	2
3*	1-809056	Bolt, .375 x .375 (shoulder)	2	26	1-323197-01	Spacer, short.....	4
4	3256-24	Washer, 3/8 (sae) .....	2	27	323-16	Screw, 3/8-16 x 4 .....	7
5	1-603735	Bushing, nylon flanged .....	2	28	322-3	5/16-18 x 3/4.....	4
6	1-603807	Spring, neutral return.....	2	29	1-413201-01	Shield, hydro control .....	2
7	1-603737	Bolt, neutral return.....	2	30	1-323195-01	Spacer, long.....	4
8	3256-2	Washer, 1/4(std) .....	6	31	1-633102	Bearing, flange .....	2
9	3219-2	Nut, 5/16-24.....	7	32	302-19	Zerk, 1/4-28.....	2
10	1-413350	Rod, control arm .....	2	33	3256-23	Washer, 5/16 (SAE).....	7
11	1-603903	Spacer .....	1	34	1-805005	Lockwasher, 5/16 (heavy) .	4
12	1-303105	Yoke, adjustable.....	2	35	1-402111-01	Arm weldmt, RH.....	1
13	1-808280	Pin, clevis 5/16-1 .....	2	36	32128-20	Nut, whizlock 5/16 .....	18
14	3220-2	Nut, jam 5/16-24.....	2	37	1-613089	Anchor, spring .....	2
15	3272-5	Pin, cotter 3/32 x 1/2 .....	2	38	1-806003	Hairpin.....	2
16	1-603676	Swivel .....	2	39	3296-29	Nut, nyloc 5/16-18 .....	4
17	32128-33	Nut, 1/4-20 whizlock .....	2	40*	1-803022	Setscrew, 5/16-18 x 5/8 .....	2
18	1-403180	Screw, 5/16-18 1 3/8 special	2	41	1-323240-01	Spacer, shield .....	4
19	32151-73	Klipring .....	2	42	3290-357	Nut, whizlock 3/8-16.....	11
20	1-402110-01	Arm weldmt, left hand .....	1	43	323-6	Screw, 3/8-16 x 1 .....	4
21	1-301022	Sulky hitch kit, (Vik Hydro) .	1	44	1-323245	Spring.....	1
22	1-373036-01	Mount, hitch.....	1	45	1-413219	Linkage, drive.....	2
23	1-323238-01	Bracket, hitch adapter .....	2	46	1-413227	Swivel, drive lever .....	2
				47	1-800016	Tapbolt, 5/16-18 x 1 1/4 .....	2

\* Use Pro-Lock nut type, Part No. 1-840022 (.5 ml tube) on shoulder bolts & setscrew threads.  
Exmark red touch up spray paint - PN 1-850337

# HYDRAULIC GROUP



Ref. No.	Part No.	Description	Qty. Req'd.	Ref. No.	Part No.	Description	Qty. Req'd.
1	1-603991	Fitting, straight connector...	4	17	1-613042	Pump, hydro.....	2
	1-603919	Boss O-Ring.....	1	18	1-603989	Elbow, 90°.....	2
	1-603992	Flare O-Ring.....	1		1-603923	O-Ring.....	1
2	1-603718	Wheel motor.....	2	19	1-403102	Hose, high pressure.....	4
	1-000138	Kit, Bearing.....	1	20	1-603990	Adapter, straight thread .....	4
	1-000119	Kit, seal.....	1		1-603920	Boss O-Ring .....	1
3	1-603827	Clamp, hose (5/8).....	5		1-603992	Flare O-Ring .....	1
4	1-603721	Fitting, Hose Tee (3/8 I.D)..	1	21	1-603988	Elbow, 90°.....	1
5	1-513510	Connector, male.....	1	22	1-602985	Hose, supply .....	1
6*	1-603720	Head, filter.....	1	23	1-602754	Hose, charge line .....	1
7	1-513211	Element, oil filter.....	1	24	1-323218	Spacer, hydraulic tank .....	2
∇	1-523541	Element, oil filter(winter)....	1	25	32128-20	Nut, whizlock 5/16-18.....	2
8	1-513167	Cap, hydraulic reservoir .....	1	26	321-11	Screw, 1/4-20 x 2.....	2
9	1-523103	Gasket, tank cap .....	1	27	323-7	Screw, 3/8-16 x 1-1/4.....	4
10	1-603987	Elbow, 90° .....	1	28	322-5	Screw, 5/16-18 x 1 .....	2
11*	1-512166-03	Reservoir, hydraulic fluid....	1	29	32128-33	Nut, whizlock 1/4-20.....	2
12	1-603826	Hose Clamp 1/2 .....	3	30	3290-357	Nut, whizlock 3/8-16.....	4
13	1-603722	Fitting - Hose Tee(1/4 I.D)..	1	31	1-613073	Grip, dump valve.....	2
14	1-513840	Elbow - 90° .....	2	32	3256-3	Washer, 5/16 std .....	8
	1-603921	O-Ring.....	1	33	1-602750	Hose, case drain.....	1
15	3296-42	Nut, nylock 1/4-20 .....	2	34	1-632286	Hose assy, lo pressure .....	1
16	1-801063	Screw, 1/4-20x2 pan head .	2	35	1-413273	Hose, lo pressure.....	2
				36	1-632285	Hose assy, lo pressure .....	1

\* Use Teflon Pipe Sealant or equivalent on hydraulic reservoir and filter head fittings.

∇ Use only for operation below 32°F(0°C)  
Emark black touch up spray paint - gloss black

## UPPER HANDLE and CONTROLS

Ref. No.	Part No.	Description	Qty. Req'd.	Ref. No.	Part No.	Description	Qty. Req'd.
1	103-0212	Handle w/decals(1-322226).	1	38	1-303022	Fuel line, 8.5" .....	1
2	1-303097	Grip, handle.....	2	39	<b>Kawasaki</b> PN 49019-1055 fuel filter		
3	1-612168	Latch, thumb w/grip (RH) ...	1			with 6.0" fuel line .....	1
<i>f</i>	1-612167	Latch, thumb w/grip (LH)....	1	40	1-403121	Switch, on/off w//key .....	1
4	1-303019	Grip, latch.....	2	41	1-413179	Tank, gas .....	1
5	1-303435	Washer, 1/4 spring disc .....	6	42	1-513508	Cap, gas.....	1
6	321-10	Screw, 1/4-20 x 1-3/4 .....	2	43	1-543296	Grommet.....	1
<i>f</i>	1-412159-03	Lever, drive (LH) .....	1	44	1-323430	Module, Interlock .....	1
7	1-412161-03	Lever, drive (RH).....	1	45	321-3	Screw, ¼-20 x 5/8 .....	3
8	1-603749	Bushing, drive lever.....	2	46	1-303287	Tie, plastic 5 1/2" (Kaw) .....	5
9	1-806003	Hairpin .....	5	47	1-303335	Tie, plastic 7 5/16" .....	2
10	32128-33	Nut, whizlock 1/4-20.....	5	48	1-403181	Harness wiring (Kawasaki)	1
11	1-807513	Screw, #10-24x½ carriage .	2	49♦	1-803322	Setscrew, 5/16-24 x 5/16 ...	2
12	321-9	Screw, 1/4-20 x 1-1/2 .....	2	50▽	1-412185-03	Lever, OPC (RH) .....	1
13	1-633349	Spring, fuel tank .....	2	51	1-303365	Bushing, nylon .....	2
14▽	1-633023	Stud, fuel tank .....	2	52	1-322192-03	Rod weldmt, connecting ....	1
15	1-613055	Pin, clevis .....	2	53	322-3	Screw, 5/16-18 x 3/4 .....	2
16	1-413152	Bearing.....	4	54▽	1-412183-03	Lever, OPC (LH) .....	1
17	1-513051	Switch.....	2	55	1-603727	Clip, .56 Loom.....	1
18	1-633181	Plate, tapped .....	1	56	3296-2	Nut, nylock #10-24.....	2
19	1-303363	Spring, actuator .....	1	57♦	1-603175	Knob, 1-3/8 .....	1
20	1-323134	Knob, (push/pull) .....	1	58	3296-29	Nut, nylock 5/16-18.....	2
21	3218-2	Nut, jam 5/16-18.....	1	59	1-323245	Spring, compression .....	2
22	1-323143	Bushing, nylon .38 I.D. ....	1	60	1-602733	Lever, shift .....	1
23	1-323142	Push Nut (.50 shaft) .....	1	61	3256-23	Washer, 5/16 SAE .....	5
24	3296-42	Nut, nylock 1/4-20 .....	3	62	1-323244	Washer, friction.....	2
25	1-323181	Linkage, blade push/pull ....	1	63	1-603730	Plate, shift lever .....	1
26	323-6	Screw, 3/8-16 x 1 .....	4	64	1-603716	Washer, friction.....	1
27	98-5975	Washer, 3/8 spring disc .....	4	65	322-10	Screw, 5/16-18 x 2.....	2
28	1-323229	Clip, loom 3/8" (Kaw).....	1	66	1-323522	Rod, speed control.....	1
29	3256-2	Washer 1/4" std flat.....	3	67	3220-2	Nut, jam 5/16-24 .....	1
30	3296-47	Nut, nyloc thin 5/16.....	2	68	1-808280	Pin, clevis.....	1
31	3290-357	Nut, whizlock 3/8-16.....	4	69	1-303105	Yoke, adjustable .....	1
32	1-804002	Nut, Sq Reg 10-24 .....	2	70	1-513592	Knob, red ball.....	1
33	1-513645	Bushing, fuel valve .....	1	71	1-413428	Cable, throttle (15hp Kaw) .	1
34	1-543277	Elbow, fuel tank.....	1	72	321-4	Screw, 1/4-20 x 3/4 .....	1
35	1-303077	Clamp, gas line .....	4	73	1-805005	Washer, 5/16 lock.....	2
36	1-603955	Fuel line, 6" .....	1	74	3290-500	Screw, #10-24 x 5/8.....	4
37	1-603770	Valve, gas.....	1	75	103-0219	Asm,Drive Lever RH .....	1
					103-0218	Asm,Drive Lever LH .....	1

*f* Not Illustrated.

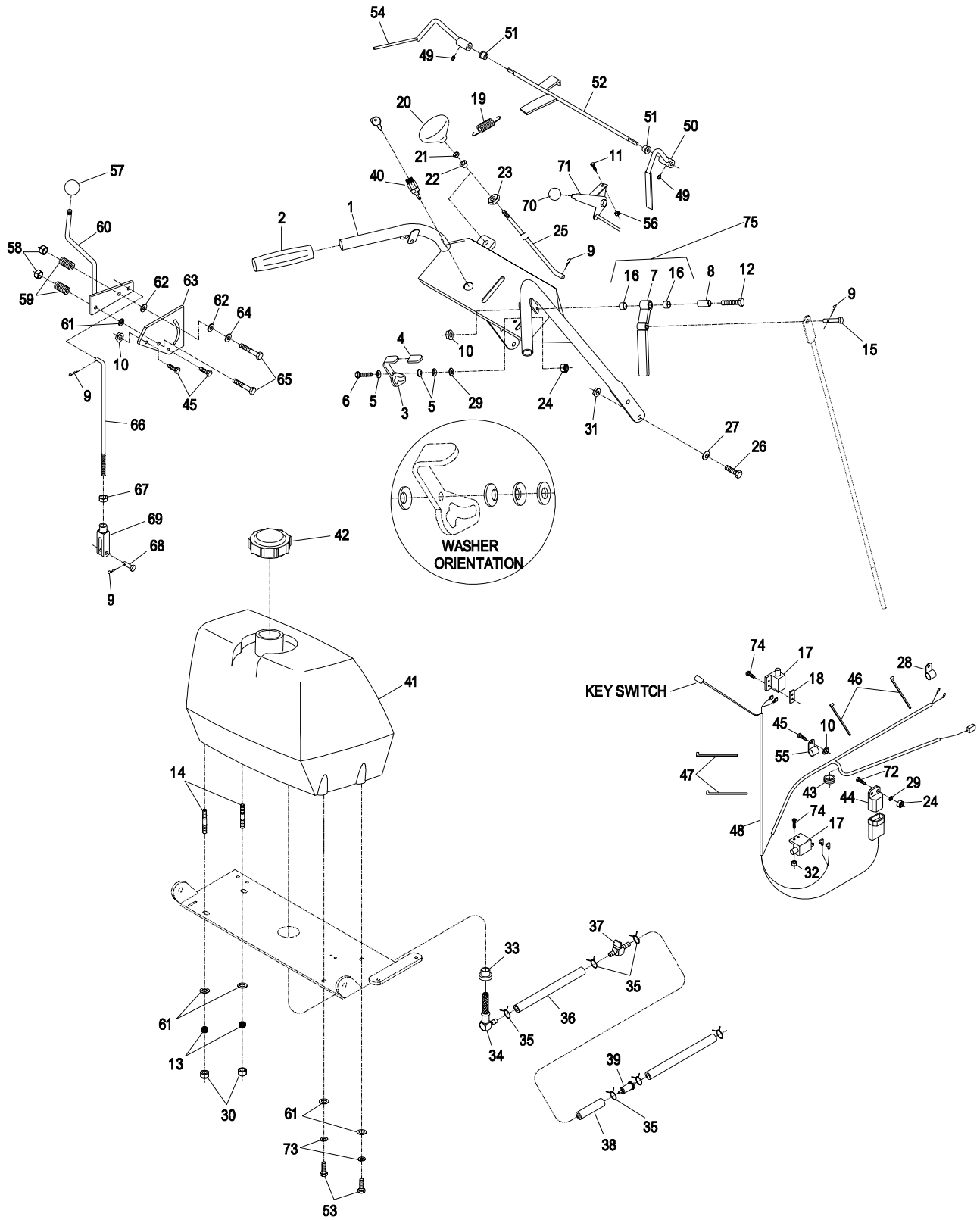
♦ Use Pro-Lock ,nut type (Part no. 1-840022 on setscrew threads and on shifter knob threads.

▽ Use Pro-lock, retaining type (Part no. 1-840023 .5cc tube) on inside bore of OPC hub and on fuel tank studs.

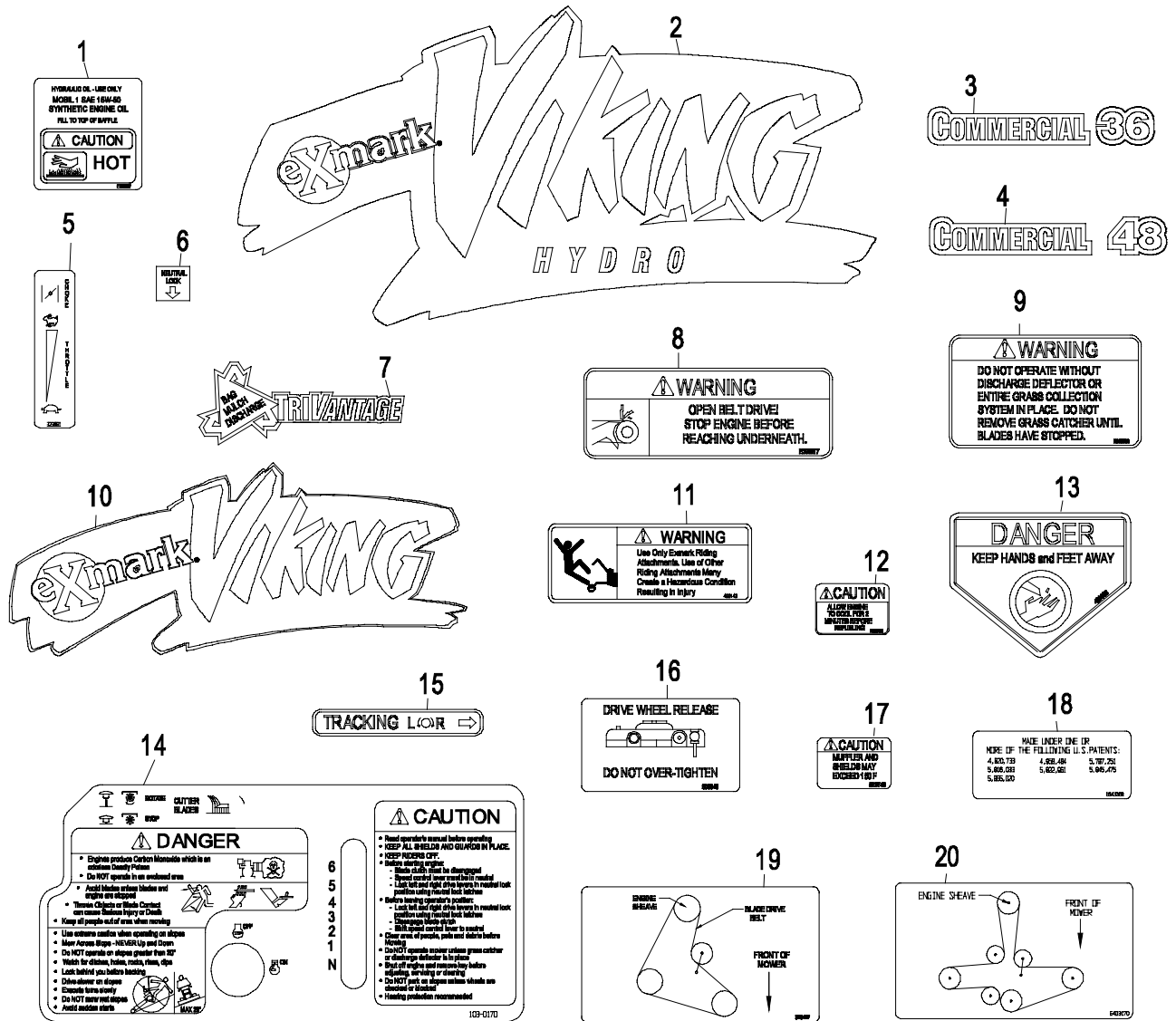
Apply dielectric grease on all electrical connectors.

Exmark black touch up spray paint - Gloss black

# UPPER HANDLE and CONTROLS

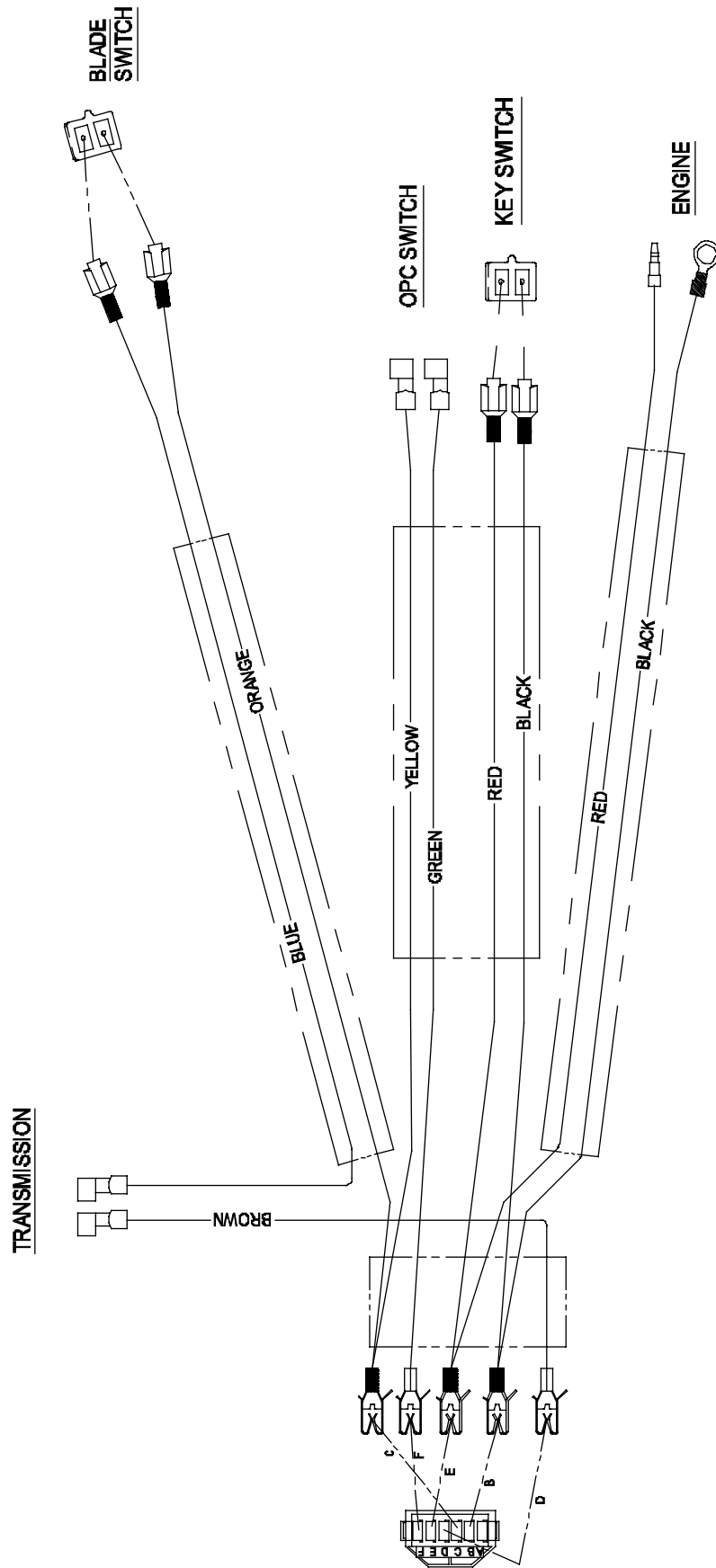


# DECALS



Ref. No.	Part No.	Description	Qty. Req'd.	Ref. No.	Part No.	Description	Qty. Req'd.
1	1-523552	Decal, Hydraulic Tank .....	1	12	1-303293	Decal, Caution .....	1
2	1-323319	Decal, Large Vik Hydro .....	1	13	1-403005	Decal, Danger (36") .....	1
3	1-323411	Decal, Commercial "36" .....	1	1-403005	Decal, Danger (48") .....	2	
4	1-403131	Decal, Commercial "48" .....	1	14	103-0170	Decal, Console.....	1
5	1-323691	Decal, Throttle/Choke .....	1	15	1-413214	Decal, Tracking.....	1
6	1-303102	Decal, Neutral Lock Label .....	2	16	1-603845	Decal, Drive Wheel Release.	1
7	1-303520	Decal, TriVantage .....	1	17	1-513746	Decal, Muffler.....	1
8	1-303517	Decal, Belt Drive.....	1	18	1-643289	Decal, Patent No.....	1
9	1-303508	Decal, Discharge Warning ....	1	19	1-323427	Decal, Belt routing (36"Deck)	1
10	1-323321	Decal, Small Viking .....	1	20	1-403170	Decal, Belt routing (48") .....	1
11	1-403143	Decal, Sulky Warning.....	1		1-302210	Decal Kit, Viking Hydro	

# WIRING DIAGRAMS



**SEE EXMARK'S COMPLETE  
LINE OF PRODUCTS FOR TURF CARE**

**LAZER Z<sup>®</sup>**

**LAZER Z<sup>®</sup> HP**

**TURF RANGER<sup>®</sup>**

**TURF TRACER<sup>®</sup>**

**TURF TRACER<sup>®</sup> HP**

**VIKING HYDRO**

**METRO<sup>®</sup>**

**METRO<sup>®</sup> HP**

**SELF STEERING SULKY**

**GRASS CATCHER**

**MICRO-MULCH<sup>™</sup> ACCESSORY**

©1997,1998,1999  
EXMARK MFG. CO. INC.  
INDUSTRIAL PARK BOX 808  
BEATRICE, NE 68310  
ALL RIGHTS RESERVED

PART NO. 103-0581  
(402) 223-6300  
FAX (402) 223-5489  
PRINTED IN U.S.A.





## Free Manuals Download Website

<http://myh66.com>

<http://usermanuals.us>

<http://www.somanuals.com>

<http://www.4manuals.cc>

<http://www.manual-lib.com>

<http://www.404manual.com>

<http://www.luxmanual.com>

<http://aubethermostatmanual.com>

Golf course search by state

<http://golfingnear.com>

Email search by domain

<http://emailbydomain.com>

Auto manuals search

<http://auto.somanuals.com>

TV manuals search

<http://tv.somanuals.com>