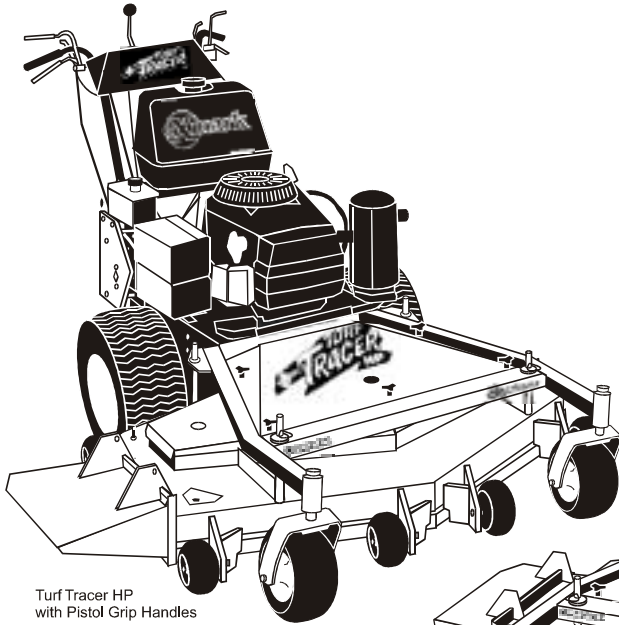
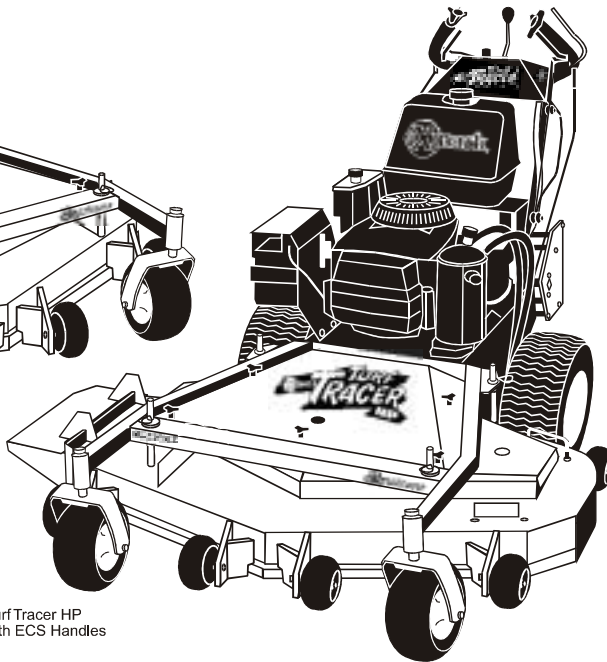


For Serial Nos.
320,000 & Higher



Turf Tracer HP
with Pistol Grip Handles



Turf Tracer HP
with ECS Handles

OPERATOR'S MANUAL

TURF TRACER[®] HP

CONGRATULATIONS on the purchase of your new Exmark mower. This product has been carefully designed and manufactured to give you a maximum amount of dependability and years of trouble-free operation.

If additional information is needed, or should you require trained mechanic service, contact your authorized Exmark equipment dealer or distributor.

If you need to order replacement parts from your dealer, always give the model number and serial number of your mower as well as the part number, description and quantity of the part needed.

The Serial No. plate is located next to the fuel tank on the top left hand side of the fuel tank support.

For ease of ordering and reference, we suggest that you record the information requested in the following identification table.

Model No. _____

Serial No. _____

Engine Model No. _____

Engine Serial No. _____

Date Purchased _____

Paste Label From
Literature Packet Here





WARNING

POTENTIAL HAZARD

- ◆ This product is a piece of power equipment.

WHAT CAN HAPPEN

- ◆ Failure to follow safe operating practices can result in serious operator injury or even death.

HOW TO AVOID THE HAZARD

- ◆ Keep all shields, guards and safety devices (especially the grass discharge system) in place and in proper working condition.
- ◆ Stop engine and wait for all moving parts to stop. Remove spark plug wire(s) or remove key before adjusting, servicing, or performing maintenance.
- ◆ If mower deck becomes clogged, stop engine and wait for all moving parts to stop. Remove spark plug wire(s) or remove key before cleaning blockage.
- ◆ Keep hands, feet, and clothing away from power driven parts.
- ◆ Keep off mower unless seat platform is provided.
- ◆ Keep others off mower.



WARNING

POTENTIAL HAZARD

- ◆ Gasoline is harmful or fatal if swallowed. Long-term exposure to vapors has caused cancer in laboratory animals.

WHAT CAN HAPPEN

- ◆ Failure to use caution may cause serious injury or illness.

HOW TO AVOID THE HAZARD

- ◆ Avoid prolonged breathing of vapors.
- ◆ Keep face away from nozzle and gas tank/container opening.
- ◆ Keep away from eyes and skin.
- ◆ Never siphon by mouth.

IMPORTANT

When the mower is used or operated on any California forest, brush or grass covered land, a working spark arrester must be attached to the muffler. If not, the operator is violating state law, Section 4442 Public Resource Code. To acquire a spark arrester for your unit, see your Engine Service Dealer.

Exmark reserves the right to make changes or add improvements to its products at any time without incurring any obligation to make such changes to products manufactured previously. Exmark, or its distributors and dealers, accept no responsibility for variations which may be evident in the actual specifications of its products and the statements and descriptions contained in this publication.

EXMARK PARTS PLUS® PROGRAM

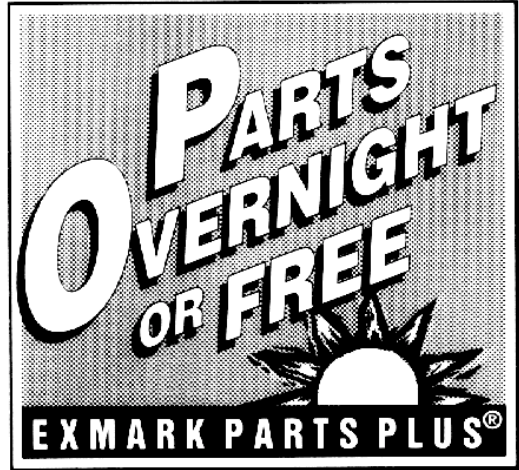
EFFECTIVE DATE: September 1, 1995

Program

If your Exmark dealer does not have the Exmark part in stock, Exmark will get the parts to the dealer the next business day or the part will be FREE* Guaranteed!!

How the Program Works

1. If dealer does not have part in stock for a "down" unit at the time of request by customer, the dealer contacts his distributor by 1:00 p.m., local time, and requests Exmark Parts Plus® shipment of six (6) line items or less.
2. Distributor ships part(s) to dealer or customer, as requested by dealer, same day, overnight UPS
Distributor bills dealer for part and freight charges where applicable.
3. If distributor does not have the part(s) in stock to satisfy Exmark Parts Plus® order, he contacts Exmark by 3:00 p.m., central time, with an Exmark Parts Plus® order of six (6) line items or less.
4. If order is received by 3:00 p.m. central time, Exmark ships part(s) direct to dealer or customer, as requested by distributor, same day, overnight UPS, Exmark bills the distributor for parts and shipping charges, where applicable.
5. The customer pays for the part and freight if it is shipped under the Exmark Parts Plus® and if it arrives in accordance to the program.
6. Who pays for the part and freight if it fails to arrive overnight in accordance to the program?
 - A. Under any circumstance the customer does not pay.
 - B. If the part does not arrive overnight due to:
 1. The dealer not submitting the Exmark Parts Plus® order to his Exmark distributor by 1:00 p.m., the dealer pays for the part and freight.
 2. The Distributor being unable to ship the part the same day or not submitting the Exmark Parts Plus® order to Exmark by 3:00 p.m., central time, the Distributor pays for the part and freight.
 3. Exmark being unable to ship the part and the Exmark parts order is received by 3:00 p.m., central time, Exmark pays for the part and freight.
 4. If the part does not arrive overnight due to the shipper (UPS), the shipper pays for the freight and Exmark pays for the part.



The following restrictions apply -- The Exmark Parts Plus® Program is available only through participating Exmark Dealers and applies only to orders submitted on this program Monday through Thursday. Parts Plus service is available only in the 48 contiguous United States. UPS has initiated a Saturday delivery program to many areas of the continental United States and can be requested for an overnight shipment on Friday to be delivered Saturday. The next day air charge, plus the Saturday delivery fee will be the responsibility of the purchaser. Exmark Mfg. will assume no responsibility for Saturday delivery shipments. To qualify, all Exmark Parts Plus® orders must be received by Exmark by 3:00 p.m., central time. Orders must be six (6) line items or less. Exclusions from the Exmark Parts Plus® Program are: Any wholegood or accessory in its entirety, engines and engine replacement parts, 5-speed Peerless transmissions and 5-speed transaxles, hydraulic or hydrostatic wheel motors, cutter decks and engine decks or any item exceeding United Parcel Service size and weight restrictions.

Due to UPS restrictions, aerosol spray paint is considered a hazardous material and cannot be shipped via UPS next day or Second Day Air.

Exmark Manufacturing stocks a limited supply of parts for transaxles, pumps, and wheel motors. These parts can be ordered for Next Day Air shipment but will not be guaranteed per the Parts Plus Program.

CONGRATULATIONS on the purchase of your Exmark Mower. This product has been carefully designed and manufactured to give you a maximum amount of dependability and years of trouble-free operation.

OPERATOR'S MANUAL

This manual contains assembly, operating, maintenance, adjustment, and safety instructions for your Exmark mower.

BEFORE OPERATING YOUR MOWER, CAREFULLY READ THIS MANUAL IN ITS ENTIRETY.

By following the operating, maintenance and safety instructions, you will prolong the life of your mower, maintain its maximum efficiency, and promote safe operation.

If additional information is needed, or should you require trained mechanic service, contact your authorized Exmark equipment dealer or distributor.

All Exmark equipment dealers and distributors are kept informed of the latest methods of servicing and are equipped to provide prompt and efficient service in the field or at their service stations. They carry ample stock of service parts or can secure them promptly for you from the factory.


All Exmark parts are thoroughly tested and inspected before leaving the factory, however, attention is required on your part if you are to obtain the fullest measure of satisfaction and performance.

TABLE OF CONTENTS

1. SAFETY	PAGE
1.1 Safety Alert Symbol	1
1.2 Training	1
1.3 Preparation.....	1-3
1.4 Operation	4-6
1.5 Maintenance & Storage	6-7
1.6 Riding Attachments	7
1.7 Safety Signs	7-10
2. SPECIFICATIONS	
2.1 Model Number	11
2.2 Engine	11
2.3 Fuel System	11
2.4 Electrical System.....	11
2.5 Safety Interlock System.....	11
2.6 Steering/Brake Control	11
2.7 Transmission	11
2.8 Wheel Drive System.....	11
2.9 Tires	12
2.10 Deck.....	12
2.11 Dimensions.....	12
2.12 Torque Requirements.....	13
3. ASSEMBLY INSTRUCTIONS	
3.1 to 3.21 Assembly	13-17
4. OPERATION INSTRUCTIONS	
4.1 Controls.....	17-19
4.2 Pre-Start.....	19-21
4.3 Operation Instructions	21-23
4.4 Transporting	23
5. MAINTENANCE & ADJUSTMENTS	
5.1 Periodic Maintenance	24-32
5.2 Adjustments.....	32-37
6. WASTE DISPOSAL	
6.1 Motor Oil Disposal	37
7. TROUBLE SHOOTING	
7.1 Mower Tacks Left or Right.....	38
7.2 Mower Cuts Unevenly.....	38
7.3 Engine Will Not Start	38-39
8. WIRING DIAGRAM	40
9. HYDRAULIC DIAGRAM	41
10. WARRANTY	42-43

1. SAFETY

1.1 SAFETY ALERT SYMBOL

This SAFETY ALERT SYMBOL  is used both in this manual and on the machine to identify important safety messages which must be followed to avoid accidents. This symbol means:

ATTENTION! BECOME ALERT! YOUR SAFETY IS INVOLVED!

The safety alert symbol appears above information, which alerts you to unsafe actions or situations and will be followed by the word **DANGER**, **WARNING**, or **CAUTION**.

DANGER: Indicates an imminently hazardous situation which, if not avoided, **WILL** result in death or serious injury.

WARNING: Indicates a potentially hazardous situation which, if not avoided, **COULD** result in death or serious injury.


CAUTION: Indicates a potentially hazardous situation which, if not avoided, **MAY** result in minor or moderate injury.

1.2 TRAINING

- 1.2.1 Regard the Exmark mower as a piece of power equipment and teach this regard to all who operate this unit.
- 1.2.2 Read the instructions carefully. Familiarize yourself with the controls and the proper use of the equipment. If the operator(s) or mechanic(s) can not read English, it is the owner's responsibility to explain this material to them.
- 1.2.3 Do not allow operation of this machine by untrained personnel. Never allow children, teenagers, or people unfamiliar with these instructions to use the mower. Local regulations may restrict the age of the operator.
- 1.2.4 Avoid mowing while people, especially children, or pets, are nearby. Keep in mind that the operator or user is responsible for accidents or hazards occurring to other people or their property.


1.3 PREPARATION


- 1.3.1 Evaluate the terrain to determine what accessories and attachments are needed to properly and safely perform the job. Only use accessories and attachments approved by Exmark.
- 1.3.2 The use of personal protective equipment, such as (but not limited to) protection for the eyes, ears, feet and head is recommended.

 CAUTION
POTENTIAL HAZARD <ul style="list-style-type: none">◆ This machine produces sound levels in excess of 85 dBA at the operator's ear when in operation.
WHAT CAN HAPPEN <ul style="list-style-type: none">◆ Exposure to sound levels of 85 dBA or above for extended periods of time can cause hearing loss.
HOW TO AVOID THE HAZARD <ul style="list-style-type: none">◆ Wear hearing protection when operating this machine.

- 1.3.3 While mowing, always wear substantial footwear and long trousers. Do not operate equipment when barefoot or when wearing open sandals.

- 1.3.4 Thoroughly inspect the area where the equipment is to be used and remove all stones, sticks, wires, bones and other foreign objects which may damage the equipment or cause personal injury to the operator or bystanders.

 WARNING
POTENTIAL HAZARD <ul style="list-style-type: none">◆ Engine exhaust contains carbon monoxide, which is an odorless deadly poison.
WHAT CAN HAPPEN <ul style="list-style-type: none">◆ Carbon monoxide can kill you.
HOW TO AVOID THE HAZARD <ul style="list-style-type: none">◆ Do not run engine indoors or in a small confined area where dangerous carbon monoxide fumes can collect.

 DANGER
POTENTIAL HAZARD <ul style="list-style-type: none">◆ In certain conditions gasoline is extremely flammable and highly explosive.
WHAT CAN HAPPEN <ul style="list-style-type: none">◆ A fire or explosion from gasoline can burn you, others, and cause property damage.
HOW TO AVOID THE HAZARD <ul style="list-style-type: none">◆ <i>DO NOT</i> smoke while refueling, and stay away from an open flame or where gasoline fumes may be ignited by spark.◆ Refuel only in a well ventilated area, or refuel outdoors.◆ Store gasoline in an approved container and keep it out of the reach of children.◆ Add fuel before starting the engine. <i>Never</i> remove the cap of the fuel tank or add fuel when engine is running or when the engine is hot.◆ Never fill the fuel tank so that the gasoline level rises above a level that is 1/2" below the bottom of the filler neck to allow for gasoline expansion and prevent fuel spillage.◆ If fuel is spilled, <i>DO NOT</i> attempt to start the engine. Move away from the area of the spill and avoid creating any source of ignition until fuel vapors have dissipated.



DANGER

POTENTIAL HAZARD

- ◆ In certain conditions gasoline is extremely flammable and highly explosive.

WHAT CAN HAPPEN

- ◆ A static charge can ignite gasoline vapors. A fire or explosion from gasoline can burn you, others, and cause property damage.

HOW TO AVOID THE HAZARD

- ◆ Purchase and store gasoline only in an approved container.
- ◆ Always place gasoline containers on the ground away from your vehicle before filling.
- ◆ Do not fill gasoline containers inside a vehicle or on a truck or trailer bed because interior carpets or plastic truck bed liners may insulate the container and slow the loss of any static charge.
- ◆ When practical, remove gas-powered equipment from the truck or trailer and refuel the equipment with its wheels on the ground.
- ◆ If this is not possible, then refuel such equipment on a truck or trailer from a portable container, rather than from a gasoline dispenser nozzle.
- ◆ If a gasoline dispenser nozzle must be used, keep the nozzle in contact with the rim of the fuel tank or container opening at all times until fueling is complete.



WARNING

POTENTIAL HAZARD

- ◆ Gasoline vapor can collect inside enclosed trailers and may be ignited by electrical sparks or hot engine/exhaust components.

WHAT CAN HAPPEN


- ◆ Explosion and fire may occur, resulting in property damage, personal injury, and/or death.


HOW TO AVOID THE HAZARD

- ◆ Provide adequate ventilation of any enclosed trailer to prevent build up of gasoline vapors, especially at floor level.
- ◆ Never refuel equipment inside an enclosed trailer.
- ◆ Be sure all fuel tanks and gasoline storage containers have proper caps installed to prevent spillage and minimize vapor escaping into the trailer.
- ◆ Do not place any equipment that is leaking gasoline in an enclosed trailer.

1.4 OPERATION

Although hazard control and accident prevention are partially dependent upon the design and configuration of the equipment, these factors are also dependent upon the awareness, concern, prudence and proper training of the personnel involved in the operation, transport, maintenance and storage of the equipment. It is essential that all Operator Safety Mechanisms be connected and in operating condition prior to use for mowing.

 WARNING
POTENTIAL HAZARD <ul style="list-style-type: none">◆ Operating engine parts, especially the muffler, become extremely hot.
WHAT CAN HAPPEN <ul style="list-style-type: none">◆ Severe burns can occur on contact.◆ Debris, such as leaves, grass, brush, etc. can catch fire.
HOW TO AVOID THE HAZARD <ul style="list-style-type: none">◆ Allow engine parts, especially the muffler, to cool before touching.◆ Remove accumulated debris from muffler and engine area.◆ Install and maintain in working order a spark arrester before using equipment on forest-covered, grass-covered, or brush-covered unimproved land.

 WARNING
POTENTIAL HAZARD <ul style="list-style-type: none">◆ Hands, feet, hair, clothing, or accessories can become entangled in rotating parts.
WHAT CAN HAPPEN <ul style="list-style-type: none">◆ Contact with rotating parts can cause traumatic amputation or severe lacerations.
HOW TO AVOID THE HAZARD <ul style="list-style-type: none">◆ Do not operate the machine without guards, shields, and safety devices in place and working.◆ Keep hands, feet, hair, jewelry, or clothing away from rotating parts.

- 1.4.1 Give complete, undivided attention to the job at hand.
- 1.4.2 Mow only in daylight or good artificial light, keeping away from holes and hidden hazards. **Do Not** operate the mower when children or others are in the area!
- 1.4.3 When feasible, avoid operating the equipment in wet grass.


- 1.4.4 Use **EXTREME** caution when mowing and/or turning on slopes as loss of traction and/or control could occur. Mow **across** slopes with walk behind mowers, never up and down. Loss of control and/or loss of operator's footing could result in a fall with an arm or leg getting under the mower or engine deck and sustaining serious injury. Drive slower on slopes. Progressively greater care is needed as the slope increases. **DO NOT** operate on slopes greater than 20 degrees. Watch for ditches, holes, rocks, dips, and rises, which can cause erratic handlebar movement and loss of footing. Keep away from drop-offs and steep banks. Avoid sudden starts. Look down and behind you before and while moving backwards. **DO NOT** mow slopes when grass is wet - slippery conditions create hazardous footing, affect steering, and reduce traction and braking. The operator is responsible for safe operation on slopes. See inside back cover to determine the approximate slope angle of the area to be mowed.
- 1.4.5 Stop the blades when crossing surfaces other than grass, if mower must be tilted for transportation, and when transporting the mower to and from the area to be mowed.
- 1.4.6 Never operate the mower with defective guards, shields, or covers. Always have safety shields, guards, switches, and other devices in place and in proper working condition.
- 1.4.7 **Do Not** change the engine governor settings or over-speed the engine. Operating an engine at excessive speed may increase the hazard of personal injury.
- 1.4.8 Place speed control levers in neutral lock position, disengage PTO, and engage park brake before starting engine.
- 1.4.9 Start the engine carefully with feet well away from blades.
- 1.4.10 Keep hands, feet, and clothing away from rotating parts while the mower is being operated.
- 1.4.11 Stop the engine and wait for all moving parts to stop. Remove plug wire(s) or remove ignition key:
- Before checking, cleaning, or working on the mower.
 - After striking a foreign object (inspect the mower for damage and make repairs before restarting and operating the mower).
- 1.4.12 Stop the engine and wait for all moving parts to stop:
- Before clearing blockages.
 - Whenever you leave the mower.
 - Before removing the grass catcher.
 - Before refueling.
 - Before making height adjustments.
- 1.4.13 Before stopping the engine, return the throttle control to the idle position for about one minute to allow the engine to cool down.
- 1.4.14 The fuel system is provided with a shut-off valve. The fuel shut-off valve is used to shut off the fuel when:
- The machine will not be used for a few days.
 - During transport to and from the job.
 - When parking inside a building.
- 1.4.15 This mower was designed for one operator only. Keep all others away from mower during operation.
- 1.4.16 **Do Not** mow without the grass deflector or entire grass collection system in place and in proper working condition.

- 1.4.17 Be aware of the mower discharge direction and do not point it at anyone.
- 1.4.18 Do NOT operate the mower under the influence of alcohol or drugs.
- 1.4.19 Use care when approaching blind corners, shrubs, trees, or other objects that may obscure vision.
- 1.4.20 If jump starting is required: (Electric start units only)
 - a) connect the positive (+) power cable from the positive post on the booster battery to the positive terminal post on the starter solenoid switch (this post has the positive battery cable attached to it).
 - b) connect the negative or ground cable (-) from the negative post on the booster battery to the engine block as far away from the battery as possible.
 - c) disconnect battery cables in the reverse order after starting.

1.5 MAINTENANCE AND STORAGE

- 1.5.1 For engine maintenance, follow the engine manufacture's recommendations precisely as stated in the engine manual.
- 1.5.2 Disconnect the battery from the negative battery post when the unit will be allowed to sit for more than 30 days without use.
- 1.5.3 Allowing batteries to stand for an extended period of time without recharging them will result in reduced performance and service life. To preserve optimum battery performance and life, recharge batteries in storage when the open circuit voltage drops to 12.4 volts.

Note: To prevent damage due to freezing, battery should be fully charged before putting away for winter storage.
- 1.5.4 Keep engine and engine area free from accumulation of grass, leaves, excessive grease, or oil and other debris, which can accumulate in these areas. These materials can become combustible and may result in a fire.
- 1.5.5 Store fuel in a container specifically designed for this purpose in a cool, dry place.
- 1.5.6 Keep the mower and fuel container in locked storage to prevent children from playing or tampering with them.
- 1.5.7 Gasoline powered equipment or fuel containers should not be stored in a basement or any enclosed area, where open pilot lights or heat appliances are present.
- 1.5.8 Maximum mowing results and safety can only be achieved if the mower is properly maintained and operated correctly.
- 1.5.9 Check all bolts frequently to maintain proper tightness.
- 1.5.10 Keep all guards, shields, and all safety devices in place and in safe working condition.
- 1.5.11 Frequently check for worn or deteriorating components that could create a hazard.
- 1.5.12 All replacement parts must be the same as or equivalent to the parts supplied as original equipment.


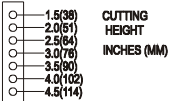
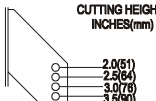
 WARNING
POTENTIAL HAZARD <ul style="list-style-type: none"> ◆ Hydraulic fluid escaping under pressure can penetrate skin and cause injury.
WHAT CAN HAPPEN <ul style="list-style-type: none"> ◆ Fluid accidentally injected into the skin must be surgically removed within a few hours by a doctor familiar with this form of injury or gangrene may result.
HOW TO AVOID THE HAZARD <ul style="list-style-type: none"> ◆ Make sure all hydraulic fluid hoses and lines are in good condition and all hydraulic connections and fittings are tight before applying pressure to hydraulic system. ◆ Keep body and hands away from pinhole leaks or nozzles that eject high pressure hydraulic fluid. ◆ Use cardboard or paper and not hands to find hydraulic leaks. ◆ Safely relieve all pressure in the hydraulic system, by locking drive levers in neutral and shutting off engine, before performing any work on the hydraulic system.

1.6 RIDING ATTACHMENTS

- 1.6.1 Use only **Exmark** riding attachments. The use of other than Exmark riding attachments may create a hazardous condition resulting in injury.

1.7 SAFETY SIGNS

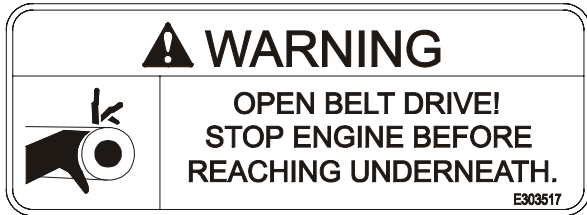
- 1.7.1 Keep all safety signs legible. Remove all grease, dirt, and debris from safety signs.
- 1.7.2 Safety signs must be replaced if they are missing or illegible.
- 1.7.3 When new components are installed, be sure that current safety signs are affixed to the replaced components.
- 1.7.4 New safety signs may be obtained from your authorized Exmark equipment dealer or distributor or from Exmark Mfg. Co. Inc.
- 1.7.5 Safety signs may be affixed by peeling off the backing to expose the adhesive surface. Apply only to a clean, dry surface. Smooth to remove any air bubbles.
- 1.7.6 Familiarize yourself with the following safety signs and instruction labels. They are critical to the safe operation of your Exmark commercial mower.

 WARNING	ANTI-SCALP ROLLER ADJUSTMENT
DISENGAGE BLADE CLUTCH, SHUT OFF ENGINE AND REMOVE KEY BEFORE MAKING ADJUSTMENTS, SERVICING OR CLEANING DECK	FOR NORMAL OPERATING CONDITIONS, PLACE ROLLERS IN POSITIONS SHOWN FOR 34" (19) GROUND CLEARANCE.
CUTTING HEIGHT ADJUSTMENT 	
	FOR MAXIMUM FLOTATION, ROLLERS MAY BE POSITIONED LOWER, BUT MUST MAINTAIN A MINIMUM OF 14" GROUND CLEARANCE. NEVER POSITION THE ROLLERS TO SUPPORT MOWER DECK.

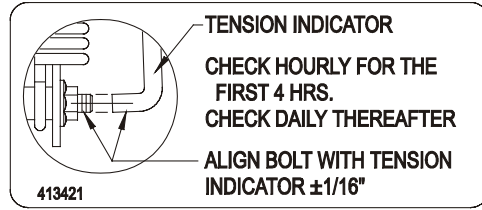
PART NO. 1-553049
 LOCATION: Front of Mower
 Deck Top Surface

 WARNING
Use Only Exmark Riding Attachments. Use of Other Riding Attachments May Create a Hazardous Condition Resulting in Injury
403143

PART NO. 1-403143
 LOCATION: Right Side of Rear
 Surface of Engine Deck



PART NO. 1-303517
 LOCATION: Left Side of Rear
 Surface of Engine Deck



PART NO. 1-413421
 LOCATION: Left Rear on Top of Engine Deck



17 HP Kawasaki Electric Start Only
 PART NO. 1-513747
 LOCATION: Battery Cover



PART NO. 1-603845
 LOCATION: Rear Center of Top
 Surface of Engine Deck



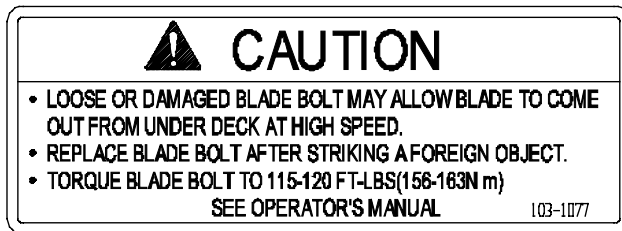
PART NO. 1-413214
 LOCATION: Right Side of Hydro
 Control Crank Arm



Standard Pistol
 Grip Handles
 PART NO. 1-303102
 LOCATION: Upper Handle



PART NO. 1-303293
 LOCATION: On Top RH Side
 of Fuel Tank



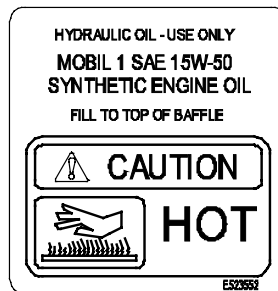
PART NO. 103-1077
 LOCATION: On Top LH Side of Mower Deck.



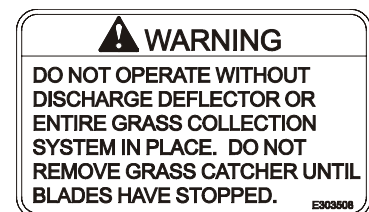
PART NO. 1-513746
 LOCATION: On Engine Blower
 Housing Next to Muffler
 and On Center Belt Cover



PART NO. 1-403005
 LOCATION: RH & LH Corners
 of Mower Deck



PART NO. 1-523522
 LOCATION: On Top of
 Hydraulic Tank



PART NO. 1-303508
 LOCATION: Right Front of Mower
 Deck Top Surface

↑ ROTATE PTO
↓ STOP

DANGER

- Thrown objects or blade contact can cause serious injury or death.
- Keep all people and pets out of area when mowing.
- Avoid blades unless blades and engine are stopped.

CAUTION

- Hearing protection recommended.
- Do NOT park on slope unless park brake is engaged.

6
5
4
3
2
1
N

WARNING

- Read operator's manual before operating.
- Do NOT operate unless trained to safely operate this machine.
- Do NOT operate without shields, guards and safety devices in place and working.
- Do NOT carry passengers.
- Clear area of debris before mowing.
- Before leaving operator's position:
 - Lock drive levers in neutral lock position.
 - Disengage PTO.
 - Shift speed control lever to neutral.
 - Engage park brake.
- Shut off engine and remove key before adjusting, servicing or cleaning.
- Use extreme caution when operating on slopes.
- Mow across slope - NOT up and down.
- Do NOT operate on slopes greater than 20°
- Do NOT mow wet slopes.

103-1974

103-1798

THROTTLE

Standard Pistol Grip Handles
15 & 17 HP Kawasaki Manual Start
PART NO. 103-1974
LOCATION: Console

PART NO. 103-1798
LOCATION: RH Side Console

↑ ROTATE PTO
↓ STOP

OFF ON

START

WARNING

- Read operator's manual before operating.
- Do NOT operate unless trained to safely operate this machine.
- Do NOT operate without shields, guards and safety devices in place and working.
- Do NOT carry passengers.
- Clear area of debris before mowing.
- Before leaving operator's position:
 - Lock drive levers in neutral lock position.
 - Disengage PTO.
 - Shift speed control lever to neutral.
 - Engage park brake.
- Shut off engine and remove key before adjusting, servicing or cleaning.
- Use extreme caution when operating on slopes.
 - Do NOT operate on slopes greater than 20°.
 - Mow across slope - NOT up and down.
 - Do NOT mow wet slopes.

MAX 20°

6
5
4
3
2
1
N

103-1976

413208

36" Decks
PART NO. 1-413206
LOCATION: Top of Cutter Deck
Under Center Belt Shield

DANGER

- Thrown objects or blade contact can cause serious injury or death.
- Keep all people and pets out of area when mowing.
- Avoid blades unless blades and engine are stopped.

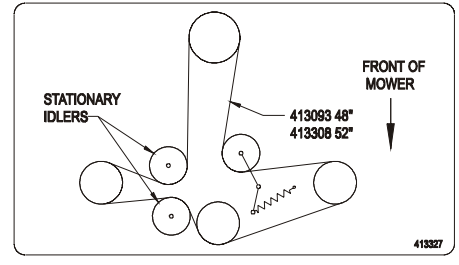
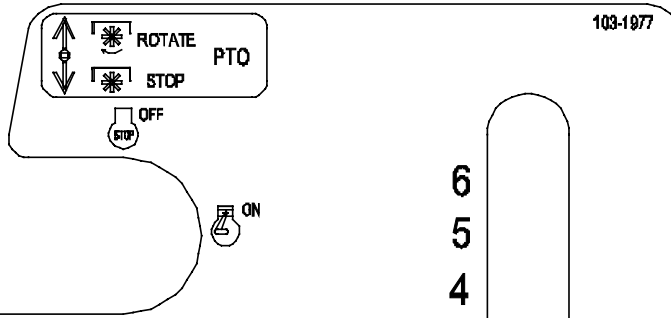
CAUTION

- Hearing protection recommended.
- Do NOT park on slope unless park brake is engaged.

103-2103

ECS Handles
17 HP Kawasaki Electric Start
PART NO. 103-1976
LOCATION: Console

PART NO. 103-2103
LOCATION: Park Brake Lever



48" & 52" Decks
 PART NO. 1-413327
 LOCATION: Top Center of Cutter Deck
 Under Center Belt Shield

WARNING

- Read operator's manual before operating.
- Do NOT operate unless trained to safely operate this machine.
- Do NOT operate without shields, guards and safety devices in place and working.
- Do NOT carry passengers.
- Clear area of debris before mowing.
- Before leaving operator's position:
 - Lock drive levers in neutral lock position.
 - Disengage PTO.
 - Shift speed control lever to neutral.
 - Engage park brake.
- Shut off engine and remove key before adjusting, servicing or cleaning.
- Use extreme caution when operating on slopes.
 - Do NOT operate on slopes greater than 20°.
 - Mow across slope - NOT up and down.
 - Do NOT mow wet slopes.

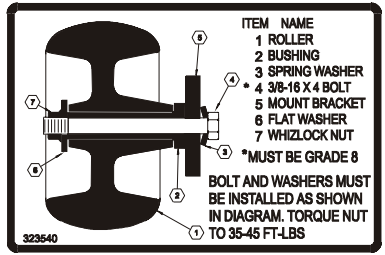
DANGER

- Thrown objects or blade contact can cause serious injury or death.
- Keep all people and pets out of area when mowing.
- Avoid blades unless blades and engine are stopped.

CAUTION

- Hearing protection recommended.
- Do NOT park on slope unless park brake is engaged.

ECS Handles
 15 & 17 HP Kawasaki Manual Start
 PART NO. 103-1977
 LOCATION: Console



PART NO. 1-323540
 LOCATION: Front of Mower Deck
 Top Surface

DANGER

COVER IS MISSING. DO NOT OPERATE THIS UNIT WHEN COVER IS NOT IN PLACE. 98-5954

PART NO. 98-5954
 LOCATION: Under Mower Deck
 Belt Shield(s)

ECS

ENHANCED CONTROL SYSTEM

ECS Handles
 PART NO. 103-2242
 LOCATION: LH Side of Console

ECS

ENHANCED CONTROL SYSTEM

ECS Handles
 PART NO. 103-2243
 LOCATION: RH Side of Console

2. SPECIFICATIONS

2.1 MODEL NUMBER:

Serial Nos. 320,000 & Higher: TT3615KA; TT4817KA; TT5217KA; TT3615KAC;
TT4817KAC; TT5217KAC; TT4817KAEC; TT5217KAEC

2.2 ENGINE

2.2.1 Engine Specifications: See your Engine Owner's Manual.

2.2.2 3600 RPM (No Load).

2.3 FUEL SYSTEM

2.3.1 Capacity: 5.0 gal.(18.9 L.)

2.3.2 Type of Fuel: Regular **unleaded** gasoline, 87 octane or higher. In countries using the research method, it should be a 90 octane *minimum*.

2.3.3 Fuel Filter: Replaceable in-line

2.3.4 Fuel Shut-Off Valve: 1/4 turn

2.4 ELECTRICAL SYSTEM (Electric start units only)

2.4.1 Charging System: Flywheel Alternator

2.4.2 Charging Capacity: 15 amps

2.4.3 Battery Type: BCI Group U1

2.4.4 Battery Voltage: 12 Volt; Polarity, negative ground

2.4.5 Fuses: Two 20 amp blade type

2.5 SAFETY INTERLOCK SYSTEM

Operator must have speed control lever in neutral, PTO disengaged, (and OPC levers depressed for electric start) to start engine. Release of OPC levers will cause the engine to stop if *speed control lever is **not** in neutral and/or PTO is engaged.*

2.6 STEERING CONTROL:

Fingertip drive control levers provide independent speed control, braking, and neutral to each drive wheel for moving forward or reverse, stopping, and power turning.

2.7 TRANSMISSION:

Twin Hydrostatic Drive

2.7.1 Two Hydro Gear BDP-10L series variable displacement high efficiency pumps independently coupled to two high efficiency Parker/Ross wheel drive motors.

2.7.2 Hydraulic Filter is replaceable cartridge type.

P/N 513211: 10 microns, 18 psi bypass (Summer use above 32° F)

P/N 523541: 40 microns, 18 psi bypass (Winter use below 32° F)

2.7.3 Speed Range: Forward 0 - 6.2 mph (10.0 km/h)
Reverse 0 - 2.2 mph (3.5 km/h)

2.8 WHEEL DRIVE SYSTEM:

Drive wheels are direct coupled to Parker/Ross wheel drive motors with 1.0" (25.4 mm) tapered shaft.

2.9 TIRES

	36" Drive	48" & 52" Drive	Front Caster
	Pneumatic (Air-Filled)	Pneumatic (Air-Filled)	Semi-Pneumatic
Size	16 x 6.50-8	16 x 7.50-8	9 x 3.50-4
Quantity	2	2	2
Tread	Turf Master	Turf Master	Smooth
Ply Rating	4	4	
Pressure	14 psi (97 kPa)	14 psi (97 kPa)	

2.10 DECK

2.10.1 Cutting Width:

Model 36 in.	35.25 in. (89.5 cm)
Model 48 in.	47.25 in. (120.0 cm)
Model 52 in.	52.00 in. (132.1 cm)

2.10.2 Discharge: Right Side

2.10.3 Blade Size:

Model 36 in.	18.00 in. (45.7 cm)	Qty. 2
Model 48 in.	16.25 in. (41.3 cm)	Qty. 3
Model 52 in.	18.00 in. (45.7 cm)	Qty. 3

2.10.4 Type of Drive: Manual engagement of belt with over-center lock. Belt tension is adjustable via turnbuckle.

2.10.5 Deck Mounting: Full floating deck is attached to out-front support frame, removable for service.

2.10.6 Cutting Height: Adjusts in 1/2" (.63 cm) increments from 1.5" (3.8 cm) to 4 1/2" (11.4 cm).

2.11 DIMENSIONS

2.11.1 Overall Width: 36" 48" 52"

	36"	48"	52"
Discharge chute down	46.25" (117.5 cm)	58.25" (148.0 cm)	62.6" (159.0 cm)
Discharge chute up (Transport only)	36.1" (91.7 cm)	48.1" (122.2 cm)	53.0" (134.62 cm)

2.11.2 Overall Length: 36" 48" 52"

	36"	48"	52"
Standard Pistol Grip Handles	77.7" (197 cm)	73.7" (187 cm)	75.9" (193 cm)
ECS Handles	77.0" (196 cm)	73.0" (185 cm)	75.2" (191 cm)

2.11.3 Curb Weight: 36" 48" 52"

	36"	48"	52"
Standard Pistol Grip Handles	537 lbs. (244 kg)	589 lbs. (267 kg)	617 lbs. (280 kg)
ECS Handles	547 lbs. (248 kg)	599 lbs. (272 kg)	627 lbs. (284 kg)

* Weights will vary slightly depending on engine and electric start options.

2.11.4 Overall Height:

Standard Pistol Grip Handles	42" (107 cm) (all models)
ECS Handles.....	44.1" (112 cm) (all models)

2.11.5 Tread Width (to outside of tires):

36" Model	35.0" (88.9 cm)
48" Model	39.4" (100.1 cm)
52" Model	39.4" (100.1 cm)

2.12 TORQUE REQUIREMENTS

<u>BOLT LOCATION</u>	<u>TORQUE</u>
Blade Mounting Bolt	115-120 ft-lbs.
Cutter Housing Spindle Nut	75-80 ft-lbs.
Anti-Scalp Roller Bolts	40-45 ft-lbs.
Mower Deck Support/Engine Deck Mount	30-35 ft-lbs.
Engine Mounting Bolts 15 & 17 HP Kawasaki	15-20 ft-lbs.

3. ASSEMBLY INSTRUCTIONS


3.1 UNCRATE UNIT: Remove upper handle assembly, fuel tank, and linkages from the top of the crate.

3.2 SERVICE BATTERY: (Electric start units only)

WARNING: Battery posts, terminals, and related accessories contain lead compounds, chemicals known to the State of California to cause cancer and reproductive harm. **Wash hands after handling.**

The machine is shipped with a filled lead acid battery.

3.2.1 Remove battery cover from the machine.



DANGER

POTENTIAL HAZARD
◆ Charging the battery may produce explosive gasses
WHAT CAN HAPPEN
◆ Battery gasses can explode causing serious injury.
HOW TO AVOID THE HAZARD
◆ Keep sparks, flames, or cigarettes away from battery.
◆ Ventilate when charging or using battery in an enclosed space.
◆ Make sure venting path of battery is always open once battery is filled with acid.

3.2.2 Check the voltage of the battery with a digital voltmeter. Locate the voltage reading of the battery in the table below and charge the battery for the recommended time interval to bring the charge up to a full charge of 12.6 volts or greater.

IMPORTANT: Make sure the negative battery cables are disconnected and the battery charger used for charging the battery has an output of 16 volts and 7 amps or less to avoid damaging the battery (see chart below for recommended charger settings).

Voltage Reading	Percent Charge	Maximum Charger Settings	Charging Interval
12.6 or greater	100%	16 volts/7 amps	No Charging Required
12.4 – 12.6	75 – 100%	16 volts/7 amps	30 Minutes
12.2 – 12.4	50 – 75%	16 volts/7 amps	1 Hour
12.0 – 12.2	25 – 50%	14.4 volts/4 amps	2 Hours
11.7 – 12.0	0 – 25%	14.4 volts/4 amps	3 Hours
11.7 or less	0%	14.4 volts/2 amps	6 Hours or More

 CAUTION	
POTENTIAL HAZARD	
◆ If the ignition is in the “ON” position there is potential for sparks and engagement of components.	
WHAT CAN HAPPEN	
◆ Sparks could cause an explosion or moving parts could accidentally engage causing personal injury.	
HOW TO AVOID THE HAZARD	
◆ Be sure ignition switch is in the “OFF” position before charging the battery.	

3.2.3 Connect the negative battery cables.

NOTE: If the positive cable is also disconnected, connect the **positive (red) cable** to the positive terminal on the battery **first**, then connect the negative (black) cable to the negative terminal on the battery. Reinstall battery cover.

NOTE: If time does not permit charging the battery, or if charging equipment is not available, connect the negative battery cables and run the vehicle continuously for 20 to 30 minutes to sufficiently charge the battery.

 WARNING	
 <p>BATTERY CONTAINS SULFURIC ACID, AVOID CONTACT AND ALWAYS SHIELD EYES, FACE, SKIN AND CLOTHING FROM BATTERY. CIGARETTES, FLAMES OR SPARKS COULD CAUSE BATTERY TO EXPLODE. DO NOT CHARGE</p>	<p>OR USE BOOSTER CABLES OR ADJUST POST CONNECTIONS WITHOUT PROPER TRAINING. IN EVENT OF AN ACCIDENT FLUSH WITH WATER AND CALL A PHYSICIAN IMMEDIATELY. KEEP OUT OF REACH OF CHILDREN.</p>

- 3.3 Remove and open the bolt bag.
- 3.4 Loosen the 5/16" hardware at the two (2) discharge chute hinge points so that the deflector is snug, but can be moved up and down freely.
- 3.5 Refer to Parts Manual to help you identify and locate parts and their proper position.
- 3.6 Apply retaining adhesive “Fel-Pro ProLock Retaining I or Retaining II” or “Loctite RC 609 or 680” on the two threaded studs from the bolt bag and install into the two left holes underneath fuel tank. Install the fuel tank on top of the fuel tank support with the studs going through the slots in the support. Install two 5/16 x 3/4 screws with a 5/16 SAE flat washer and 5/16 lock washer into the threaded holes in the right side of the fuel tank. **Do not over tighten.** Place a 5/16 SAE flat washer, then a spring, over each of the studs and fasten with a 5/16 nyloc nut. Tighten 5/16 nyloc nut fully then back off a 1/2 turn. This is to allow for normal fuel tank expansion and contraction with changes in temperature and fuel levels. **Do not over tighten.**
- 3.7 Attach the fuel tank hose to the tank fitting and secure with the clamp provided.
- 3.8 Position the lower end of the handle assembly on the outside of the upper rear section of the fuel tank & handle support. Install four 3/8-16 x 1" bolts (with four spring disk washers against the head of each bolt) from the outside in. Secure using four 3/8" whizlock nuts on the inside of each handle support and tighten until the spring disk washers are flat (See Figure 1).

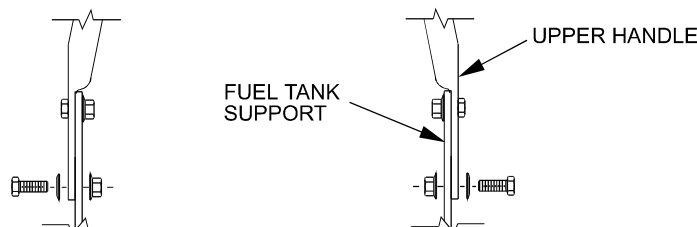


FIGURE 1
UPPER HANDLE MOUNTING

3.9 Route the throttle cable along the right side of the upper handle, under the fuel tank support, and position the cable on the **left** side of the engine.

Attach throttle cable to engine:

- a) Position the throttle control lever (located on console) $\frac{1}{4}$ " (6mm) from the upper end of the slot.
- b) Attach inner wire of the throttle cable to the top hole in the throttle control lever as shown in Figure 2.
- c) Loosen the clamp, place the cable behind it and pull on the cable to move the throttle linkage to the full throttle position. Tighten the cable clamp screw.

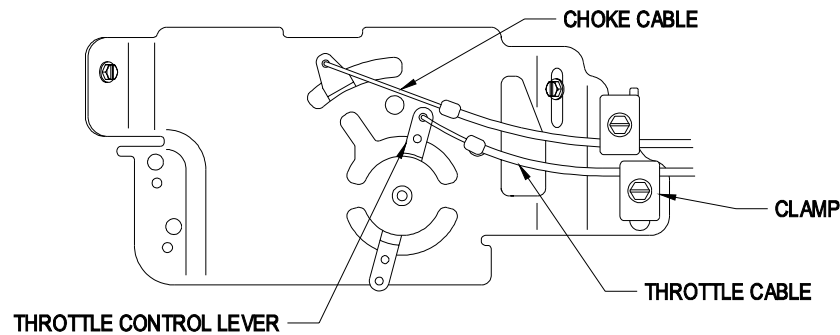


FIGURE 2
SPEED CONTROL
(THROTTLE CABLE HOOK-UP)

3.10 Connect the blade engagement linkages (See Fig. 3). Loosen jam nut and remove turnbuckle from lower linkage. Screw turnbuckle onto both upper and lower linkages simultaneously. Note that threads on upper linkage are left hand. See 5.2.2 for linkage adjustment.

Note: The standard pistol grip handles have the drive lever linkage on the outside of the blade engagement lever tab and the hairpin on the inside. ECS handles have the drive lever linkage on the inside of the blade engagement lever tab and the hairpin on the outside.

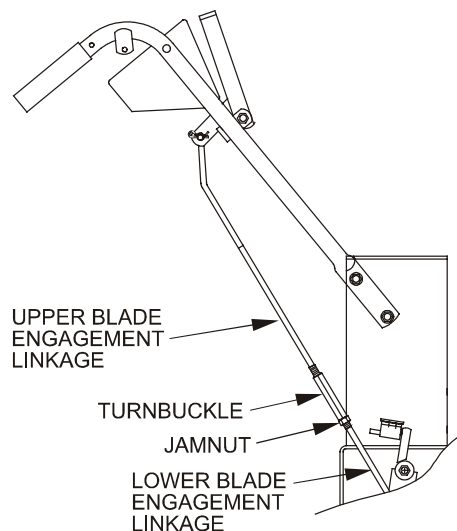


FIGURE 3
BLADE ENGAGEMENT LINKAGE

3.11 Install the speed control rod assembly (linkage with the yoke installed on one end) into the end of the speed control lever located underneath the center of the console. Insert the end of the linkage (opposite the yoke) into the end of the speed control lever from the right hand side and fasten with a hairpin from the bolt bag.

- 3.12 Connect the lower end of the speed control linkage to the speed control crank located at the top rear of the fuel tank support. Secure with clevis pin and hairpin from the bolt bag.
- 3.13 Install drive lever linkages.

For Standard Pistol Grip Handles: Refer to figures 4 and 5. Position speed control lever in neutral. Locate two long clevis pins and two hairpin cotters in bolt bag and temporarily install through drive levers and neutral lock latches, but not through the drive lever linkages. Position drive levers and neutral lock latches in neutral (See Figure 16). Identify swivels installed on hydro control arm weldments. Thread each drive lever linkage into swivel until hole in upper end of drive lever linkage aligns with clevis pin installed through drive lever and neutral lock latch. Remove clevis pins and install first through the drive lever linkages, then through the drive levers from the outside, then through the neutral lock latches. Install hairpin. This will give an approximate setting for drive lever linkages; you will need to refer to Section 5.2.6 step d to complete the drive lever linkage adjustment.

NOTE: There should NOT be a washer between the neutral lock latch and the hairpin cotter.

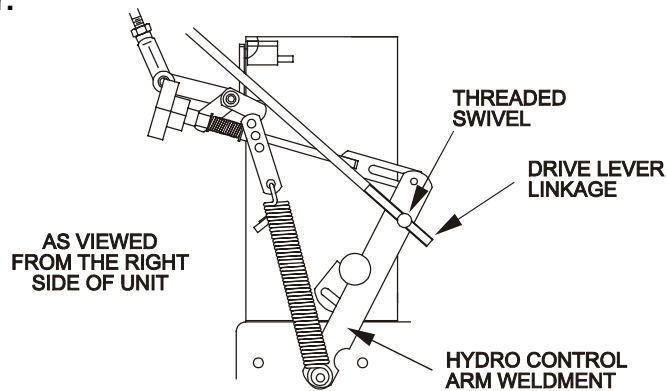


FIGURE 4
STANDARD PISTOL GRIP HANDLES
DRIVE LINKAGE SWIVEL

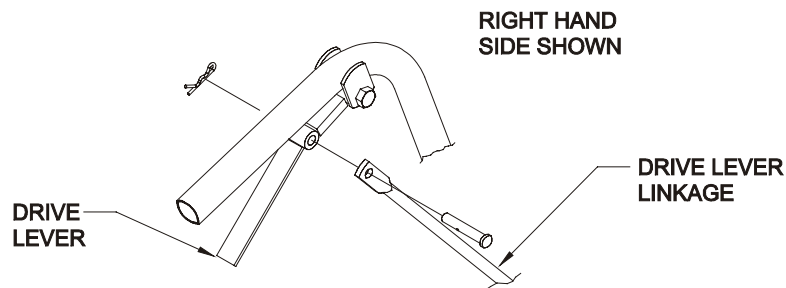


FIGURE 5
STANDARD PISTOL GRIP HANDLES
DRIVE LEVER LINKAGE TO DRIVE LEVER

For ECS handles: Refer to figure 6. Position speed control lever in neutral. Position drive levers in neutral and engage the neutral lock latches (See Figure 16). Drive lever linkages are shipped with upper ball joints installed. Thread a 3/8-24 LH jam nut, from the bolt bag, onto the lower end of each drive lever linkage. Identify the lower ball joints installed on hydro control arm weldments. Thread lower end of each drive lever linkage into the lower ball joint until hole in upper ball joint aligns with hole in drive lever. Install 3/8-16 x 2 hex cap screws and 3/8-16 nyloc nuts from the bolt bag and tighten. This will give an approximate setting for drive lever linkages; you will need to refer to Section 5.2.6 step d to complete the drive lever linkage adjustment.

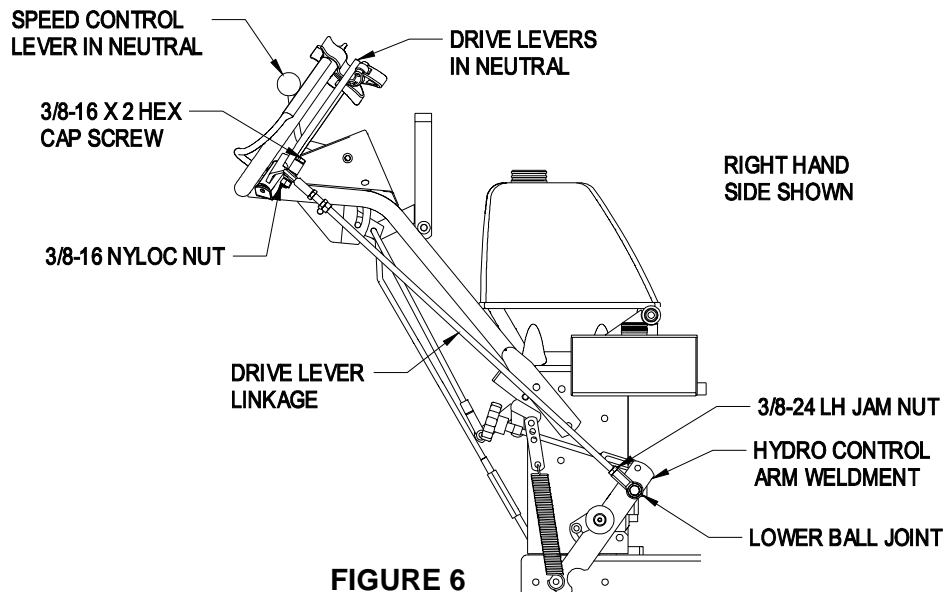


FIGURE 6
ECS HANDLES
DRIVE LEVER LINKAGE INSTALLATION

- 3.14 Connect wiring harness.

For recoil start models: Route the long unattached portion of the wiring harness up the left handle and under the console. Connect the connector on the end of the shorter lead to the keyswitch. Connect the two flag terminals that are in the longer lead to the OPC switch in any order. Continue routing this lead down the right side of the handle and connect the connector on the end of it to the park brake switch. Fasten the harness to the left hand side of the handle using two large ties from the bolt bag. Fasten the harness to the right hand side of the handle using two small ties from the bolt bag. On ECS models fasten the harness to the two small holes in the channel under the console using two small ties from the bolt bag.

For electric start models: Route the long unattached portion of the wiring harness up the left handle and under the console. Connect the two flag terminals to the OPC switch in any order. Connect the connector to the keyswitch. Fasten the harness to the left hand side of the handle using two large ties from the bolt bag. On ECS models fasten the leads connecting to the OPC switch to the small hole in the channel under the console using a small tie from the bolt bag.

- 3.15 If machine is shipped without muffler installed, install muffler with hardware provided.

- 3.16 **SERVICE ENGINE:** Refer to Engine Owner's Manual.

- 3.17 **SERVICE HYDRAULIC OIL**

The machine is shipped with hydraulic oil filled to the top of the baffle in the reservoir. Run the machine for approximately 15 minutes to allow any extra air to purge out of the hydraulic system. Check hydraulic reservoir and if necessary fill the reservoir to the appropriate level with Mobil 1 15W-50 synthetic motor oil. See Section 5.1.8

- 3.18 **GREASE UNIT: NOTE: UNIT IS NOT GREASED AT THE FACTORY.**

Refer to 5.1.14, for locations and grease amounts.

- 3.19 Follow pre-start instructions as outlined in 4.2.

NOTE: After starting the engine and engaging the hydro drive, if either of the drive wheels acts sluggish or will not rotate at all, stop engine and refer to Section 5.1.10 on the Hydraulic System Air Purge procedure.

- 3.20 Perform any needed adjustments as outlined in the Adjustment Section.

4. OPERATION INSTRUCTIONS

4.1 Controls

- 4.1.1 **Operator Presence Control (OPC) Levers:** Located on the upper handle assembly directly above the handle grips. **When these levers are depressed, the OPC system senses that the operator is in the normal operator's position. When the levers are released, the OPC system senses that the operator has moved from the normal operating position** and will kill the engine if either the speed control lever is **not in the neutral** position or the **blade clutch is engaged**.
- 4.1.2 **Speed Control Lever:** Located in middle of control console, it controls the maximum forward speed and is infinitely variable from neutral (0 mph) to 6.2 mph.
- 4.1.3 **Drive Levers:** Located on each side of the upper handle assembly directly below the handle grips (See Figure 7). These levers individually control the speed and direction of each drive wheel. When the speed control lever is moved out of the neutral position and the neutral lock latches are moved into the drive position, as shown in Figure 7, and the drive levers are released, the drive wheels are engaged in the forward direction.
- Squeezing the left hand and/or right hand lever causes the left hand and/or right hand drive wheel respectively to slow down, stop, or reverse, depending on how far each drive lever is "squeezed". Squeezing the drive levers beyond the neutral position causes the drive wheels to engage in the reverse direction regardless of the position of the neutral lock latches and the speed control lever.
- 4.1.4 **Neutral Lock Latch:** Located directly above the drive levers. These latches allow the operator to lock the drive levers in a "neutral" position where neither of the drive wheels are engaged in either a forward or reverse direction (See Figure 7).

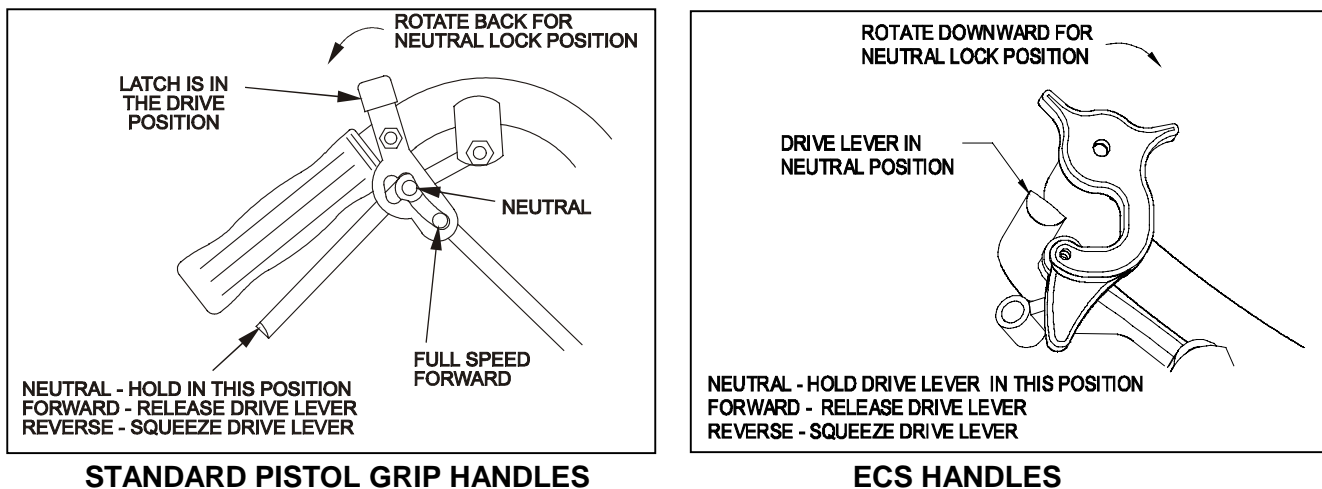


FIGURE 7
DRIVE LEVER, NEUTRAL LOCK LATCH OPERATION

- 4.1.5 **PTO Engagement:** Located on the left side of the upper handle. To engage the blades, push the lever forward, or away from the operator, until the linkage locks over-center. To disengage the blades, pull the lever to the rear, or towards the operator.
- 4.1.6 **Choke Control:** Choke is used to aid in starting a cold engine. The choke control is located on the front left corner of the fuel tank support and is activated by pulling the control outward. Once the engine has started move the choke control to the off position and move the throttle to the medium or full throttle position.

- 4.1.7 Throttle Control: Located on the control console's right side. The throttle is used to control engine speed. Moving the throttle control forward will increase engine speed and moving it to the rear will decrease engine speed.
- 4.1.8 "Off-Run" Switch (15 & 17 HP Kawasaki Manual Start only):
Located on the console. Turn key to the "Run" position to allow the engine to be started. Turn key to the "Off" position to shut engine off.
- 4.1.9 Ignition Switch (17 HP Kawasaki Electric Start only):
Located on the control console. The ignition switch starts and stops the engine. The switch has three positions "OFF", "ON", and "START". Insert key into switch and rotate clockwise to the "ON" position. Rotate clockwise to the next position to engage the starter (key must be held against spring pressure in this position). When engine starts, release key.
Operator must have speed control lever in neutral and blade engagement lever fully disengaged to start engine.
- 4.1.10 Park Brake Lever: Located on the right side of the unit above the hydraulic tank. The brake lever engages the park brake on the drive wheels.
Pull the lever **up** and **rearward** to engage the brake.
Push the lever **forward** and **down** to disengage the brake.
When parking on a steep slope, the wheels must be chocked or blocked in addition to the brake being engaged. The unit must be tied down and brake engaged when transporting.
Park brake must be disengaged to move speed control out of neutral or engine will kill.
- 4.1.11 Fuel Shut-Off Valve: Installed in the fuel line midway between the tank and the engine. The fuel shut-off valve is used to shut off the flow of fuel when parking inside a building, during transportation to and from the job sites, and when the machine will not be used for a few days.
Rotate valve 1/4 turn clockwise to shut fuel off. Rotate valve 1/4 turn counter-clockwise to turn fuel on.
- 4.1.12 Drive Wheel Release Valves: Located on the top rear corner of the hydrostatic pumps. Drive wheel release valves are use to release the hydro-static drive system to allow the machine to be moved by hand without the engine running. Turn valves one-half turn counterclockwise to release the drive system.
Turn clockwise to reset the drive system. **Do Not over-tighten.**
- 4.1.13 Cold Start Kit: (Manual start units only) Located on the right hand side of engine deck, below the hydro control shield. The cold start kit is used to ease the starting of the unit in cold weather or when the unit has not been operated for a period of time. The cold start kit moves the idler pulley away from the pump belt releasing the tension on the belt, which allows the engine to turn over with less resistance. See Section 4.3.2.
- 4.1.14 Tracking Adjustment Knob: Located on the right-hand side of the rear of the fuel tank support. Can be adjusted so that machine will "track" straight ahead with drive levers released.

4.2 Pre-Start

- 4.2.1 Fill fuel tank. For best results use only clean fresh regular grade **unleaded** gasoline with an octane rating of 87 or higher. Regular grade leaded gasoline may also be used; however, combustion chamber and cylinder head will require more frequent service. See Engine Owner's Manual.
Do not add oil to gasoline.
Never fill the fuel tank so that the fuel level rises above a level that is 1/2" below the bottom of the filler neck to allow for fuel expansion and prevent fuel spillage.

 **DANGER**

POTENTIAL HAZARD

- ◆ In certain conditions gasoline is extremely flammable and highly explosive.

WHAT CAN HAPPEN

- ◆ A fire or explosion from gasoline can burn you, others, and cause property damage.

HOW TO AVOID THE HAZARD

- ◆ *DO NOT* smoke while refueling, and stay away from an open flame or where gasoline fumes may be ignited by spark.
- ◆ Refuel only in a well ventilated area, or refuel outdoors.
- ◆ Store gasoline in an approved container and keep it out of the reach of children.
- ◆ Add fuel before starting the engine. *Never* remove the cap of the fuel tank or add fuel when engine is running or when the engine is hot.
- ◆ Never fill the fuel tank so that the gasoline level rises above a level that is 1/2" below the bottom of the filler neck to allow for gasoline expansion and prevent fuel spillage.
- ◆ If fuel is spilled, *DO NOT* attempt to start the engine. Move away from the area of the spill and avoid creating any source of ignition until fuel vapors have dissipated.

 **DANGER**

POTENTIAL HAZARD

- ◆ In certain conditions gasoline is extremely flammable and highly explosive.

WHAT CAN HAPPEN

- ◆ A static charge can ignite gasoline vapors. A fire or explosion from gasoline can burn you, others, and cause property damage.

HOW TO AVOID THE HAZARD

- ◆ Purchase and store gasoline only in an approved container.
- ◆ Always place gasoline containers on the ground away from your vehicle before filling.
- ◆ Do not fill gasoline containers inside a vehicle or on a truck or trailer bed because interior carpets or plastic truck bed liners may insulate the container and slow the loss of any static charge.
- ◆ When practical, remove gas-powered equipment from the truck or trailer and refuel the equipment with its wheels on the ground.
- ◆ If this is not possible, then refuel such equipment on a truck or trailer from a portable container, rather than from a gasoline dispenser nozzle.
- ◆ If a gasoline dispenser nozzle must be used, keep the nozzle in contact with the rim of the fuel tank or container opening at all times until fueling is complete.

- 4.2.2 Refer to Maintenance and Adjustment Section 5 and perform all of the necessary inspection and maintenance steps.
- 4.2.3 Familiarize yourself with the controls and operation of unit. See Controls section 4.1 and Operating Instructions section 4.3.

4.3 OPERATING INSTRUCTIONS

- 4.3.1 Refer to Engine Owner's Manual for detailed operating instructions regarding the engine.
- 4.3.2 Starting Engine: Operator must have **PTO disengaged** and **speed control lever in neutral**.

Lock drive levers in neutral and engage park brake.

Open fuel shut-off valve.

NOTE: A cold weather starting kit has been added for ease of starting in either cold weather or when the unit has not been run for a period of time.

To use cold start kit: (Manual start units only)

- a) Pull split ring straight out the side of the unit, and hook the ring over the lower rear hydro control shield bolt.
- b) Start engine. Refer to the following guidelines for further starting suggestions.

To engage pump drive (disengage cold start kit)

- a) Pull chain straight out from the side of the unit until the split ring can be removed from the bolt.

SLOWLY release tension on chain.

On a cold engine, pull out the choke control.

For a 15 & 17 HP Kawasaki manual start engine, turn key to "Run" position. Pull recoil rope to start engine.

For a 17HP Kawasaki Electric start engine, OPC levers must be depressed, turn ignition switch to the "start" position. Release the switch when the engine starts.

After the engine starts and warms up, gradually push down on the choke control and place the throttle control in the full throttle position

IMPORTANT: For electric start models, do not crank the engine continuously for more than ten (10) seconds at a time. If the engine does not start, allow a 60 second starter cool-down period between starting attempts. Failure to follow these guidelines can burn out the starter motor.

On a warm engine, place the throttle control **midway** between the "Slow" and "Fast" positions.

NOTE: Kawasaki engines generally need to be "choked" even when warm.

- 4.3.3 Stopping Engine: Disengage blade drive, position speed control lever in neutral, lock the drive levers in neutral and engage the park brake. Move throttle to the "Slow" position. Allow engine to idle for one minute to allow cool down. Turn the key to the "Off" position.

- 4.3.4 Drive Lever/Neutral Lock Latch Operation:

For Standard Pistol Grip Handles: To lock the drive levers in neutral, squeeze the drive levers back to the neutral position (**Do Not** squeeze the drive levers all the way back as this will cause the drive wheels to go into full reverse direction). Place thumbs on the upper portion of the neutral lock latches and move them to the rear. Release drive levers (See Figure 7).



CAUTION

POTENTIAL HAZARD

- ◆ If the neutral lock latches are not completely engaged the drive levers could unexpectedly slip into the forward drive position.

WHAT CAN HAPPEN

- ◆ If the drive levers slip into the drive position, the unit could lurch forward and cause injury or property damage.

HOW TO AVOID THE HAZARD

- ◆ Be sure the pins protruding through the slots of each neutral lock latch are completely engaged in the rear slot of each latch.

To place the drive levers in the drive position, firmly hold the drive levers, place thumbs on the upper portion of the neutral lock latches and move them forward to release drive levers. **Slowly** and **carefully** release the drive levers.

For ECS Handles: To lock the drive levers in neutral, squeeze the drive levers back to the neutral position (**Do Not** squeeze the drive levers all the way back as this will cause the drive wheels to go into full reverse direction). Place thumbs on the inner thumb lobe of the neutral lock latches and push downward, moving them under the drive levers. Release drive levers (See Figure 7).



CAUTION

POTENTIAL HAZARD

- ◆ If the neutral lock latches are not completely engaged the drive levers could unexpectedly slip into the forward drive position.

WHAT CAN HAPPEN

- ◆ If the drive levers slip into the drive position, the unit could lurch forward and cause injury or property damage.

HOW TO AVOID THE HAZARD

- ◆ Be sure the drive levers are past the roller and securely seated at the bottom of the neutral lock latches.

To place the drive levers in the drive position, slightly squeeze the drive levers while placing thumbs on the outer thumb lobe of the neutral lock latches and push forward moving them out from under the drive levers. **Slowly** and **carefully** release the drive levers.

- 4.3.5 Drive Wheel Engagement/Turning: With drive levers locked in neutral, shift speed control lever to desired forward speed. Slowly squeeze and hold both drive levers in the neutral position and move both neutral lock latches from the neutral lock position. **Do Not** squeeze both drive levers all the way back, this will cause the drive wheels to be engaged in the reverse direction.

For straight ahead motion, smoothly release both drive levers to engage drive wheels.

Squeeze the right hand drive lever to turn right and the left hand drive lever to turn left.


To make a “zero turn”, squeeze either the left hand or the right hand drive lever back into the reverse position while the opposite drive lever is in a forward position at an equal but opposite speed.

To back up, squeeze both drive levers into the reverse position.

For smooth operation of this machine, avoid quick, jerky movements of the drive levers. Move the drive levers smoothly and deliberately.

4.3.6 To Stop: Squeeze drive levers back to the neutral position. Move neutral lock latches into the neutral lock position and release drive levers. Move the speed control lever to the neutral position.


4.3.7 PTO Engagement:

 DANGER
POTENTIAL HAZARD <ul style="list-style-type: none">◆ The rotating blades under the mower deck are dangerous.
WHAT CAN HAPPEN <ul style="list-style-type: none">◆ Blade contact can cause serious injury or kill you.
HOW TO AVOID THE HAZARD <ul style="list-style-type: none">◆ <i>DO NOT</i> put hands or feet under the mower or mower deck when the PTO is engaged.

Be sure that all persons are clear of mower deck and discharge area before engaging the PTO. Set throttle to “midway” position. Push the PTO engagement arm forward and down to engage blades. Accelerate to full throttle to begin mowing (See Section 4.1.5).

4.3.8 PTO Disengagement: Pull upward and back completely on the PTO engagement arm to disengage the blades (See Section 4.1.5).


4.4 TRANSPORTING


 WARNING
POTENTIAL HAZARD <ul style="list-style-type: none">◆ Loading the mower onto a trailer without strong enough or properly supported ramps could be dangerous.
WHAT CAN HAPPEN <ul style="list-style-type: none">◆ The ramps could collapse causing the unit to fall, which could cause injury.
HOW TO AVOID THE HAZARD <ul style="list-style-type: none">◆ Use proper ramps that are secured to the truck or trailer.◆ Keep feet and legs out from under the unit when loading and unloading.◆ If necessary, use assistance when loading.

Use a heavy duty trailer to transport the machine. Engage neutral lock latches and park brake, then block wheels. Securely fasten the machine to the trailer with straps, chains, cables, or ropes. Use a safety chain and be sure that the trailer has all necessary lighting and marking as required by law.

5. MAINTENANCE & ADJUSTMENTS

5.1 PERIODIC MAINTENANCE

 WARNING
POTENTIAL HAZARD <ul style="list-style-type: none">◆ If you leave the key in the ignition switch, someone could start the engine.
WHAT CAN HAPPEN <ul style="list-style-type: none">◆ Accidental starting of the engine could seriously injure you or other bystanders.
HOW TO AVOID THE HAZARD <ul style="list-style-type: none">◆ Remove the key from the ignition switch and pull the wire(s) off the spark plug(s) before you do any maintenance. Also push the wire(s) aside so it does not accidentally contact the spark plug(s).

 WARNING
POTENTIAL HAZARD <ul style="list-style-type: none">◆ The engine can become very hot.
WHAT CAN HAPPEN <ul style="list-style-type: none">◆ Touching a hot engine can cause severe burns.
HOW TO AVOID THE HAZARD <ul style="list-style-type: none">◆ Allow the engine to cool completely before service or making repairs around the engine area.

5.1.1 Check engine oil level.

Service Interval: **See Engine Owner's Manual**

- Make sure mower is on a level surface. Stop engine and wait for all moving parts to stop.
- Check with engine cool.
- Clean area around dipstick. Remove dipstick and wipe oil off. Reinsert the dipstick (**DO NOT** screw into place). Remove dipstick and check oil level.
- If the oil level is low, add oil as specified in the Engine Owner's Manual to bring the oil level up to the "FULL" mark on the dipstick.

DO NOT OVERFILL.

IMPORTANT: DO NOT operate the engine with oil level below the "LOW" (or "ADD") mark or over the "FULL" mark.


5.1.2 Clean engine air cooling system.

Service Interval: **See Engine Owner's Manual**


- Stop engine and wait for all moving parts to stop. Remove ignition key or spark plug wire(s).
- Clean all debris from engine air intake screen and from around engine shrouding.

5.1.3 Clean grass build-up under deck and check mower blades.

Service Interval: **Daily**

 CAUTION
POTENTIAL HAZARD <ul style="list-style-type: none">◆ Raising the mower deck for service or maintenance relying solely on mechanical or hydraulic jacks could be dangerous.
WHAT CAN HAPPEN <ul style="list-style-type: none">◆ The mechanical or hydraulic jacks may not be enough support or may malfunction allowing the unit to fall, which could cause injury.
HOW TO AVOID THE HAZARD <ul style="list-style-type: none">◆ DO NOT rely solely on mechanical or hydraulic jacks for support. Use adequate jack stands or equivalent support.

- a) Disengage PTO.
- b) Stop engine and wait for all moving parts to stop. Remove ignition key or spark plug wire(s).
- c) Raise deck and block up using proper safety precautions.
- d) Clean out any grass build-up from underside of deck and in deck discharge chute.
- e) Inspect blades and sharpen or replace as required.
- f) If blade removal is necessary, be careful for the sharp cutting edges of the blades.
- g) Re-install the blades (if they were removed) and torque blade bolts to 115-120 ft. lbs. Be sure the spring disc washer cone is installed toward the bolt head (See Figure 8).

 CAUTION
POTENTIAL HAZARD <ul style="list-style-type: none">◆ Operating a mower deck with loose or weakened blade bolts can be dangerous.
WHAT CAN HAPPEN <ul style="list-style-type: none">◆ A loose or weakened blade bolt could allow a blade rotating at a high speed to come out from under the deck, causing serious injury or property damage.
HOW TO AVOID THE HAZARD <ul style="list-style-type: none">◆ Replace the blade bolt after striking a foreign object. (Use only Exmark replacement parts PN 103-1026 - blade bolt and PN 1-513208 – spring disc washer).◆ DO NOT lubricate the threads of the bolt or spindle before assembly.◆ Torque the blade bolt to 115-120 ft. lbs.

- g) Remove jack stands (or equivalent support) and lower deck to ground.

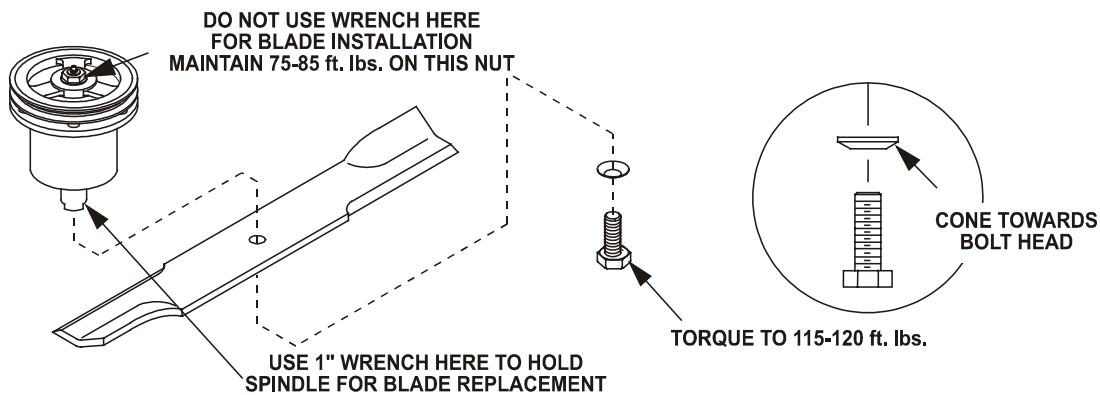


FIGURE 8
BLADE BOLT INSTALLATION

5.1.4 Check safety interlock system.

Service Interval: **Daily**

- a) For your safety, your Exmark mower is equipped with Operator Presence Controls (OPC). When either the mower blades are engaged, or the speed control lever is not in neutral and both hands are removed from the handles, the mower engine **MUST stop**.
- b) **For Electric Start Units Only:** Check starting circuit. Starter should crank with: *Operator Presence Control levers **depressed**, speed control lever in **neutral**, and electric blade clutch **disengaged**.*

Try to start the engine with *OPC levers **disengaged**, speed control lever in **neutral** and electric blade clutch **disengaged** - starter **MUST NOT crank**.*

Try to start with, *OPC levers **depressed**, speed control lever in any speed but **neutral** and electric blade clutch **disengaged** - starter **MUST NOT crank**.*

Try to start with *OPC levers **depressed**, speed control lever in **neutral** and electric blade clutch **engaged**-starter **MUST NOT crank**.*

- c) Check OPC circuits. Clear the area. Run engine at one-third throttle, then with drive levers and neutral lock latches in **neutral lock position**, move the speed control lever out of neutral and release OPC levers - **engine MUST stop**. Again, run engine at one-third throttle, move the speed control lever to **neutral**, engage blade clutch and release OPC levers - **engine MUST stop**.
- d) If machine does not pass any of these tests, **DO NOT** operate. Contact your authorized **EXMARK SERVICE DEALER**.

IMPORTANT: It is essential that all Operator Safety Mechanisms, be in place and in proper operating condition prior to mowing.

5.1.5 Check for loose hardware.

Service Interval: **Daily**

- a) Stop engine and wait for all moving parts to stop. Remove ignition key or spark plug wire(s).
- b) Visually inspect machine for any loose hardware or any other possible problem. Tighten hardware or correct the problem before operating.

5.1.6 Service pre-cleaner element and air cleaner.

Service Interval: **See Engine Owner's Manual**

5.1.7 Change engine oil.

Service Interval: **See Engine Owner's Manual**


NOTE: Change oil after first five (5) hours of operation. Follow engine manufacturer's recommendations for future oil changes.

- a) Disengage blade clutch.
- b) Stop engine and wait for all moving parts to stop. Remove ignition key or spark plug wire(s).
- c) Drain oil while engine is warm from operation.
- d) Oil drain valve is located on left hand side of engine. Place pan under machine to catch oil and open valve with 10mm wrench. Allow oil to drain then close valve.
- e) Replace the oil filter as per Engine Owner's Manual. Clean around oil filter and unscrew filter to remove.
Before reinstalling new filter, apply a thin coating of oil on the surface of the rubber seal. Turn filter clockwise until rubber seal contacts the filter adapter, then tighten filter an additional 2/3 to 3/4 turn.
- f) Clean around oil fill cap and remove cap. Fill to the specified capacity and replace cap. Use oil as specified in Engine Owners Manual. **Do not overfill.**
- g) Start the engine and check for leaks. Stop engine and recheck oil levels.

5.1.8 Check hydraulic oil level.

Service Interval: **40 hr.**

- a) Stop engine and wait for all moving parts to stop.
- b) Clean area around hydraulic reservoir cap and remove cap. Oil level should be to the top of the baffle inside the tank. If not, add oil.

 WARNING	
POTENTIAL HAZARD	◆ Hydraulic fluid escaping under pressure can penetrate skin and cause injury.
WHAT CAN HAPPEN	◆ Fluid accidentally injected into the skin must be surgically removed within a few hours by a doctor familiar with this form of injury or gangrene may result.
HOW TO AVOID THE HAZARD	◆ Make sure all hydraulic fluid hoses and lines are in good condition and all hydraulic connections and fittings are tight before applying pressure to hydraulic system. ◆ Keep body and hands away from pinhole leaks or nozzles that eject high pressure hydraulic fluid. ◆ Use cardboard or paper to find hydraulic leaks. ◆ Safely relieve all pressure in the hydraulic system, by locking drive levers in neutral and shutting off engine, before performing any work on the hydraulic system.

5.1.9 Change hydraulic system filter.

Service Interval: **After First 250 hrs, then yearly thereafter.**

Note: Use only Exmark Part No. 513211 for Summer use above 32° F (0° C) or Part No. 523541 for Winter use below 32° F (0° C). Refer to 2.7.2 for filter specifications.

- a) Place unit on a level surface, stop engine and wait for all moving parts to stop. Remove ignition key or spark plug wire(s).
- b) Carefully clean area around filter. It is important that no dirt or contamination enters the hydraulic system.
- c) Unscrew filter to remove and allow oil to drain from reservoir.
IMPORTANT: Before re-installing new filter, fill it completely with Mobil 1 15W-50 and apply a thin coat of oil on the surface of the rubber seal. Turn filter clockwise until rubber seal contacts the filter adapter. Do not tighten yet.
- d) Fill reservoir as stated in Section 5.1.8.
- e) Loosen filter 1/2 turn and allow a small amount of oil to leak from the oil filter (this allows air to be purged from the oil filter and supply hose from the hydraulic reservoir). Turn filter clockwise until rubber seal contacts the filter adapter. Then tighten the filter an additional 2/3 to 3/4 turn.
- f) Raise the rear of the machine up onto jack stands high enough to raise the drive wheels off of the ground. Run machine to allow any other air to be purged from the hydraulic system and recheck the oil level.
- g) If either drive wheel does not rotate, one or both of the charge pumps (located on the top of the main pump as shown in Figure 9) may have lost their "prime". Refer to Section 5.1.10.
- h) **DO NOT** change hydraulic system oil (*except what can be drained when changing filter*) unless it is felt that oil has been contaminated. **Changing oil unnecessarily could damage the hydraulic system by introducing contaminants into the system.**

5.1.10 Hydraulic system air purge procedure.

Air must be purged from the hydraulic system when any hydraulic components, including the oil filter, are removed or any of the hydraulic lines are disconnected.

The critical area for purging air from the hydraulic system is between the oil reservoir and each charge pump located on the top of each variable displacement pump (See Figure 9).

Air in other parts of the hydraulic system will be purged through normal operation once the charge pumps are "primed".

- a) Stop engine and wait for all moving parts to stop. Raise the rear of the machine up onto jack stands high enough to raise the drive wheels off the ground.
- b) Check oil level as stated in Section 5.1.8.
- c) Start engine and move throttle control ahead to full throttle position. Move the speed control lever to the middle speed position and place the drive levers in the "drive" position.

If either drive wheel does not rotate, it is possible to assist the purging of the charge pump by carefully rotating the tire in the forward direction.

NOTE: It is necessary to lightly touch the charge pump cap with your hand to check the pump temperature. If the cap is too hot to touch, turn off engine. The pumps may be damaged if the pump becomes too hot.

If either drive wheel still does not rotate continue with step (d).

- d) Thoroughly clean the area around each of the charge pump housings.

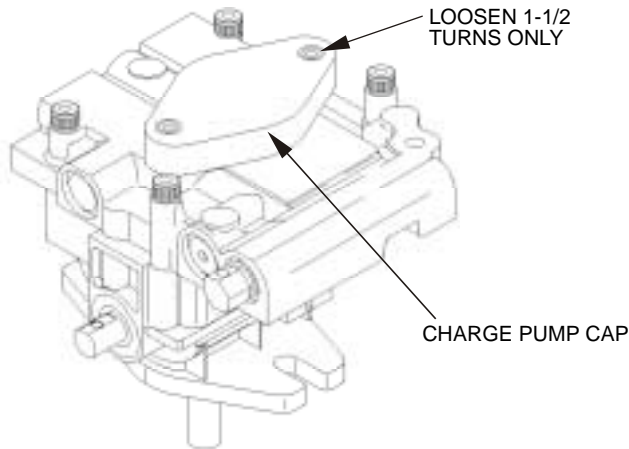


FIGURE 9
CHARGE PUMP LOCATION

- e) To “prime” charge pump, loosen two hex socket head capscrews (shown in Figure 11) **1-1/2 turns only. Make sure engine is not running.** Lift charge pump housing upward and wait for a steady flow of oil to flow out from under housing. **Retighten capscrews.** Do this for both pumps. Note: Hydraulic reservoir can be pressurized to up to 5 psi to speed this process.
- f) If either drive wheel still does not rotate, stop and repeat Steps (d) through (e) above for the respective pump. If tires rotate slowly, the system may prime after additional running. Check oil level as stated in Section 5.1.8.
- g) Allow unit to run several minutes after the charge pumps are “primed” with drive system in the full speed position.
Check oil level as stated in Section 5.1.8.
- h) Check hydro drive linkage adjustment as stated in Section 5.2.6.

5.1.11 Check tire pressures.

Service Interval: **Pneumatic (air-filled) Drive Tires- 40 hrs.**
Semi-pneumatic Caster Tires – No maintenance

- a) Stop engine and wait for all moving parts to stop. Remove ignition key or spark plug wire(s). Check air pressure in drive tires; recommended tire pressure is 12-16 psi.
- b) Inflate tires to pressures stated above. Measure circumference of each drive tire. Adjust tire pressures within the above range to try to make tire circumferences match as closely as possible.

5.1.12 Inspect Belt wear.

Service Interval: **40 hrs.**

- a) Stop engine and wait for all moving parts to stop. Remove ignition key or spark plug wire(s).
- b) Remove deck support belt shield to check mower deck drive belt condition.
- c) Look under engine deck to check the pump drive and clutching belt condition.
- d) Check all idler arms to be sure they pivot freely. Disassemble, clean and grease pivot bushings if necessary.

5.1.13 Inspect PTO Clutching Belt Tension.

Service Interval: **Check every 2 hrs. for first 8 hrs. operation then check every 40 hrs. thereafter.**

- a) Stop engine and wait for all moving parts to stop.

- b) Engage PTO lever.
- c) Look through the round hole in the left rear corner of the engine deck to inspect blade clutching belt tension. Bolt on blade engagement linkage bellcrank and indicator arm should align within 1/16" (See Figure 12). Refer to section 5.2.2 for adjustment.

5.1.14 Lubrication

Service Interval: **Refer to Chart.**

- a) Stop engine and wait for all moving parts to stop. Remove ignition key or spark plug wire(s).
- b) Lubricate fittings with one to two pumps of NGLI grade #2 multi-purpose gun grease.

Refer to the following chart for fitting locations and lubrication schedule.

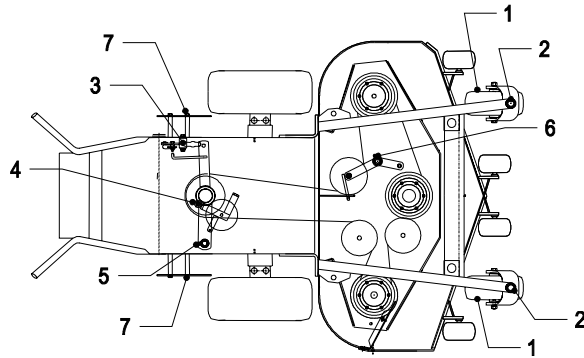
GREASE LUBRICATION CHART

FITTING LOCATIONS	INITIAL PUMPS	QUANTITY			SERVICE INTERVAL
		36"	48"	52"	
1. Caster Wheel Bearings	12	2	2	2	Daily
2. Caster Pivots	2	2	2	2	Daily
3. PTO Engagement Bellcrank	1	1	1	1	Weekly
4. Idler Pivot (Pump Drive)	2	1	1	1	Weekly
5. Clutch Arm Pivot	1	1	1	1	Weekly
6. Cutter Deck Idler Pivots	2	1	1	1	Weekly
7. Pump Control Bearings	2	2	2	2	Weekly

No. 4 (Idler Pivot)
Located Under Engine Deck

No. 5 (Clutch Arm Pivot)
Located Under Engine Deck

No. 4 & 6 (Idler Arm Pivots)
Disassemble and grease once a month under a "No Load" Condition.



- c) Lubricate pivot points with a spray penetrating lubricant as directed below.

SPRAY LUBRICANT CHART

PIVOT POINT	NO. OF PLACES	SERVICE INTERVAL
1. PTO Lever	1	Weekly

5.1.15 Check spark plugs.

Service Interval: **160 hrs.**

- a) Stop engine and wait for all moving parts to stop.
- b) Remove spark plugs, check condition and adjust plug gap or replace with new plugs. See Engine Owner's Manual.

5.1.16 Remove engine shrouds and clean cooling fins.

Service Interval: **See Engine Owner's Manual**

- a) Stop engine and wait for all moving parts to stop. Remove ignition key or spark plug wire(s).
- b) Remove cooling shrouds from engine and clean cooling fins. Also clean dust, dirt, and oil from external surfaces of engine, which can cause improper cooling.
- c) Make sure cooling shrouds are properly reinstalled. Operating the engine without cooling shrouds will cause engine damage due to overheating.

5.1.17 Change fuel filter.

Service Interval: **As Required**

- a) A fuel filter is installed in the fuel line between the fuel tank and the engine. Replace when necessary.

5.1.18 Refer to Engine Operators Manual for detailed maintenance regarding the engine.

5.1.19 Wheel hub - slotted nut torque specification.

When tightening the slotted nut on the wheel motor tapered shaft:

- a) Torque the slotted nut to 100 ft. lbs.
- b) Further tighten the nut until the next set of slots line up with the cross hole in the shaft.
- c) Replace cotter pin.

5.1.20 Thread locking adhesives such as "Loctite 242" or "Fel-Pro, Pro-Lock Nut-Type" are used on the following fasteners:

- a) Pump drive sheave setscrews.
- b) Square head setscrews on Hydro pump control arms.
- c) OPC lever setscrews.
- d) Sheave retaining bolt in end of engine crankshaft.
- e) Lower Sheave retaining bolt on clutch arm.
- f) Shoulder bolts in ends of speed control crank.

Adhesives such as "Loctite RC/609 or RC/680" or "Fel-Pro Pro-Lock Retaining I or Retaining II" are used on the following:

- a) OPC lever hubs and cross-shaft

NOTE: Care must be used not to bond the bearing, next to each OPC hub, to the cross shaft which could cause binding of the OPC levers and erratic operation.

5.1.21 An anti-seize compound is used on the following locations:

- a) Between engine crankshaft and pump and blade drive sheaves.
- b) On clutch arm assembly between bearings and shaft and between lower sheave and shaft.
- c) Between pump shafts and sheaves.

5.1.22 Dielectric grease is used on all blade type electrical connections to prevent corrosion and loss of contact.

5.1.23 Check battery charge: (Electric start units only)

Service Interval: **Monthly**

Allowing batteries to stand for an extended period of time without recharging them will result in reduced performance and service life. To preserve optimum battery performance and life, recharge batteries in storage when the open circuit voltage drops to 12.4 volts.

Note: To prevent damage due to freezing, battery should be fully charged before putting away for winter storage.


- a) Check the voltage of the battery with a digital voltmeter. Locate the voltage reading of the battery in the table below and charge the battery for the recommended time interval to bring the charge up to a full charge of 12.6 volts or greater.

IMPORTANT: Make sure the negative battery cables are disconnected and the battery charger used for charging the battery has an output of 16 volts and 7 amps or less to avoid damaging the battery (see chart below for recommended charger settings).

Voltage Reading	Percent Charge	Maximum Charger Settings	Charging Interval
12.6 or greater	100%	16 volts/7 amps	No Charging Required
12.4 – 12.6	75 – 100%	16 volts/7 amps	30 Minutes
12.2 – 12.4	50 – 75%	16 volts/7 amps	1 Hour
12.0 – 12.2	25 – 50%	14.4 volts/4 amps	2 Hours
11.7 – 12.0	0 – 25%	14.4 volts/4 amps	3 Hours
11.7 or less	0%	14.4 volts/2 amps	6 Hours or More

5.2 ADJUSTMENTS

5.2.1 Cutting height and anti-scalp roller adjustment.

 WARNING
POTENTIAL HAZARD <ul style="list-style-type: none"> ◆ When the two front support rod hairpins are removed from the mower deck, the weight of the tractor section may cause the front frame to rise suddenly
WHAT CAN HAPPEN <ul style="list-style-type: none"> ◆ If the unit rises suddenly, injury may occur.
HOW TO AVOID THE HAZARD <ul style="list-style-type: none"> ◆ Securely hold down the front of the unit when the front support rod hairpins are removed.

- a) Stop engine and wait for all moving parts to stop.
- b) Install hairpin clips in the holes for the desired cutting height (See Figure 11).

IMPORTANT: To maintain correct cutting height and rake, check the following for proper adjustment.

1. The front and rear hairpins are in the same holes with the proper spacers under the hair pins (See Figure 10).
2. The tire pressures are set as directed in Section 5.1.11.
3. The length of the rear deck support link assemblies are set to 6.89" (approximately 6 7/8") from the center of the balljoint to the center of the furthest hole (See Figure 10).

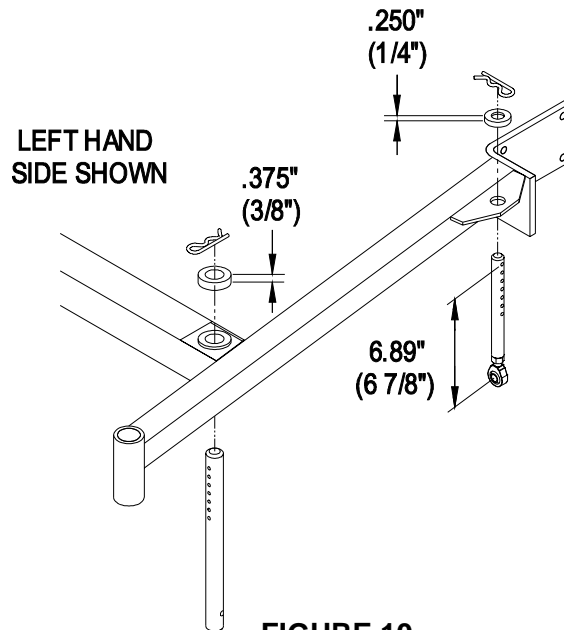


FIGURE 10
CUTTING HEIGHT ADJUSTMENT

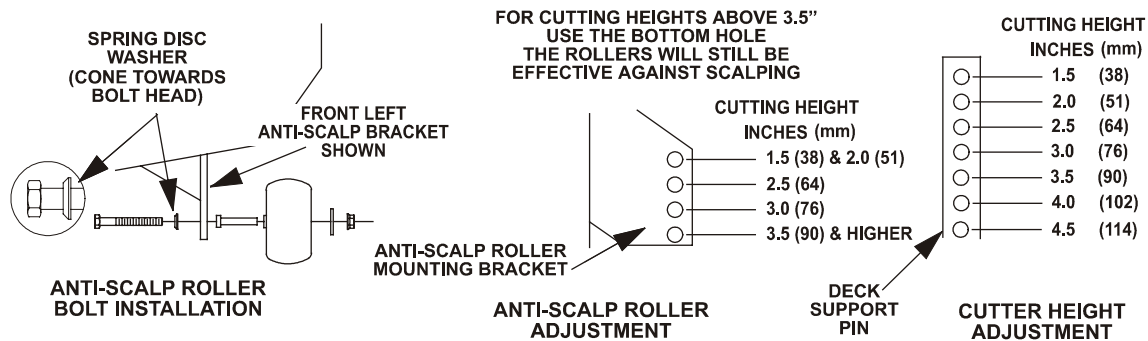


FIGURE 11
ANTI-SCALP ROLLER BOLT INSTALLATION
ANTI-SCALP ROLLER AND CUTTING HEIGHT ADJUSTMENT

c) Adjust anti-scalp rollers For Normal Operating Conditions. Place rollers in one of the positions shown in Figure 11. Rollers will maintain 3/4 in. (19 mm) clearance to the ground to minimize gouging and roller wear or damage. **For Maximum Deck Flotation**, place rollers one hole position lower. Rollers should maintain 1/4 in. (6.4 mm) minimum clearance to ground. **Do Not** adjust rollers to support the deck. Be sure roller bolts and nuts are installed with the spring disc washer between head of the bolt and mounting bracket. **Torque to 40-45 ft-lbs., or loss of roller may result.**

d) When operating in extremely rough conditions it may be necessary to position the anti-scalp rollers one or two holes higher than described in "c" to prevent damage to the rollers and/or bolt failure (See Figure 11).

NOTE: When anti-scalp rollers are placed in these positions, reduced deck flotation will result.

5.2.2 **PTO Linkage:** Located between the PTO lever on the left handle and the left rear corner of the engine deck.

- Stop engine and wait for all moving parts to stop.
- With PTO engaged, adjust the linkage length by loosening the locknut on the turnbuckle and adjusting the turnbuckle so that the bolt on the bellcrank and the indicator arm align with each other within 1/16". See Figure 12. Tighten locknut against turnbuckle.

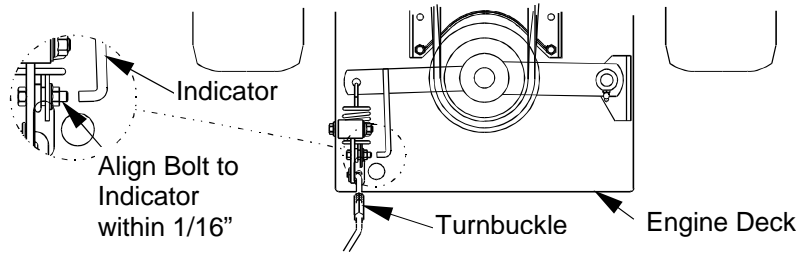


FIGURE 12

BLADE ENGAGEMENT LINKAGE

5.2.3 PTO Safety Switch: Mounted to a tab on the inside lefthand side of the fuel tank support.

- a) Stop engine and wait for all moving parts to stop. Remove ignition key or spark plug wire(s).
- b) With PTO disengaged and the bellcrank touching the rear of the slot in the engine deck, adjust the PTO safety switch (if needed) until the bellcrank arm is 5/16" from the switch body.
- c) Be sure the bellcrank **DOES NOT** touch the switch body or damage to the switch could occur.
- d) Retighten PTO switch mounting hardware.

5.2.4 Engine to Cutter Deck Belt:

No adjustment necessary.

5.2.5 Pump Drive Belt Tension Adjustment:

No adjustment necessary.

5.2.6 Hydro Drive Linkage Adjustment:

- a) Adjust Speed Control Linkage and Neutral Safety Switch
 1. Stop engine and wait for all moving parts to stop.
 2. Move the speed control lever (located on the console) to the full forward position and check the orientation of the tabs on the ends of the speed control crank (Figure 14). These tabs should be pointing straight down at the 6 o'clock position or slightly forward. Adjust the threaded yoke at the bottom of the speed control linkage (Figure 14) until the tabs are positioned correctly.
 3. Pull the speed control lever back to neutral. Check that the neutral safety switch actuating tab has depressed the plunger of the switch so that there is about 5/16" between the tab and the switch (See Figure 13). If necessary, move the switch fore and aft.

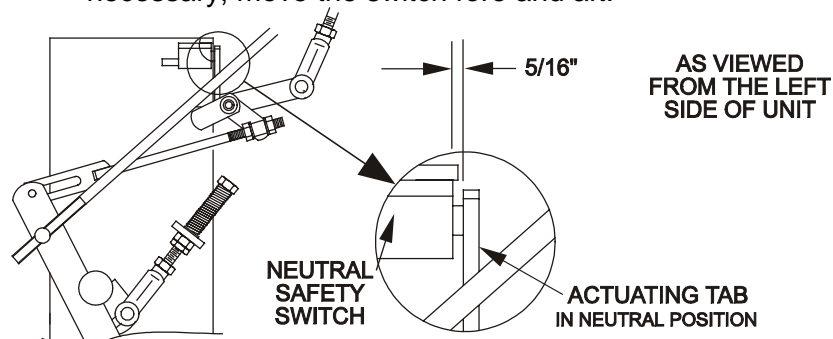


FIGURE 13

NEUTRAL SAFETY SWITCH ADJUSTMENT

- b) Adjust Neutral Control Linkages

1. Raise the rear of the machine up onto jack stands high enough to raise the drive wheels off of the ground.
2. Start the engine and move the throttle ahead to the full throttle position. Place the neutral lock latches in the drive position as shown in Figure 7 and move the speed control lever to the "mid-speed" position.

Note: The OPC levers must be held down whenever the speed control lever is out of the neutral position or the engine will kill.

3. Squeeze the respective drive lever until an increased resistance is felt, this is where neutral should be.

For Standard Pistol Grip Models: Make sure you have not reached the end of the neutral lock latch slot. If you have, shorten the drive lever linkage.

If the wheel turns while holding the drive lever in neutral, the neutral control linkages need to be adjusted. If wheels stop then go to step 7.

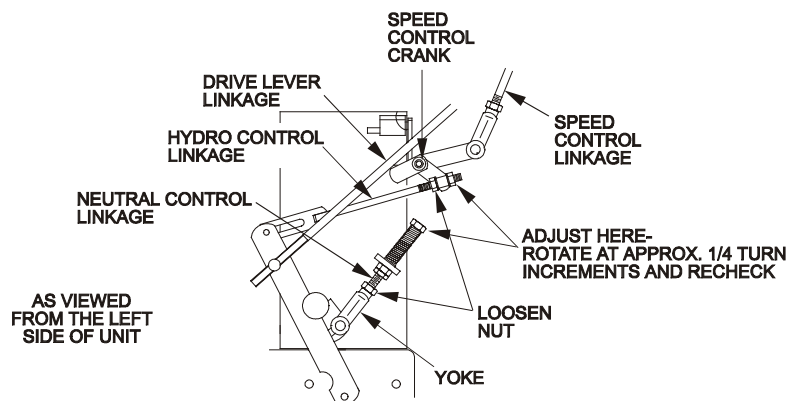


FIGURE 14

HYDRO DRIVE LINKAGE ADJUSTMENT

4. Loosen the nut against the neutral control linkage yoke as shown in Figure 14.
 5. Adjust the neutral control linkage until the respective drive wheel stops when the lever is pulled against the neutral spring (neutral position). Turn the adjusting bolt approximately 1/4 turn clockwise if the wheel is turning in reverse or turn the bolt approximately 1/4 turn counter-clockwise if the wheel is turning forward. Release the drive lever to the forward drive position and squeeze back into the neutral position. Check to see if the wheel stops. If not, repeat the above adjustment procedure.
 6. Make this adjustment on both sides.
 7. After adjustments are made and the wheels stop when the drive levers are in the neutral position, tighten the nuts against the yokes.
- c) Adjust Hydro Control Linkages:
1. Place the speed control lever in the "neutral" position.
Note: Neutral lock latches should still be "unlocked" and in the drive position.
 This adjustment is again made with rear of machine on jack stands and engine running at full throttle. OPC levers will have to be held down whenever speed control lever is moved out of the neutral position.
 2. Loosen the front nut on **left** hydro control linkage as shown in Figure 14. Turn the rear control linkage adjusting nut counter-clockwise until wheel rotates forward. Turn the rear nut of left control link clockwise 1/4 of a turn at a time, stopping to move the speed control forward and back to

neutral, until left wheel stops rotating forward. Turn the rear nut an additional 1/2 turn and tighten the front nut making sure not to put a bind on the linkage. Make sure flat part of linkage is perpendicular to pin part of swivel. See Figure 15.

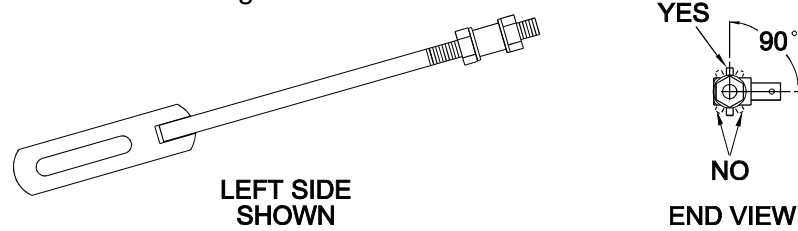


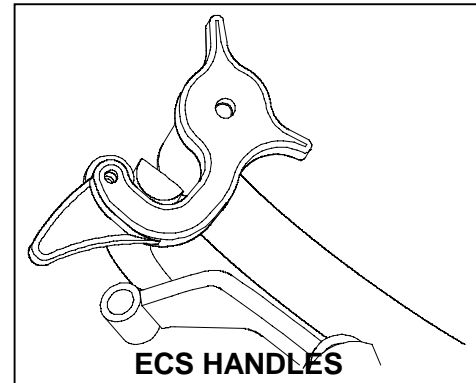
FIGURE 15
HYDRO CONTROL LINK/SWIVEL ADJUSTMENT

After adjusting the left hydro control linkage, move the speed control lever to the mid-speed position and then back to the neutral position. Recheck the left drive wheel rotation to see if further adjustment is necessary - be sure the speed control lever is in the neutral position.

If inconsistent neutral occurs, check to be sure both springs are properly tightened on the speed control lever under the console - especially the rear pivot spring.

Repeat above adjustments if necessary.

3. Place the speed control lever in neutral. Adjust the right side linkage by turning the quick track knob counter-clockwise until the tire begins to rotate forward. Begin to retighten the knob clockwise about 1/4 turn at a time, stopping to move the speed control forward and back to neutral. Recheck the drive wheel rotation to see if further adjustment is necessary.
 4. The spring that keeps tension on the knob should normally not need adjustment. However if adjustment is needed, adjust to where length of spring is about 1" between the washers. Adjust spring length by turning nut at front of spring.
- d) Drive Lever Linkage Adjustment
1. With rear of machine still on jack stands and engine running at full throttle, move the speed control lever to the midway position. Move the respective drive lever upward until it reaches the **neutral** position and engage neutral lock latches. See Figure 16. If the tire rotates in either direction, the length of the drive lever link will need to be adjusted.
 2. **For Standard Pistol Grip Handles:** Adjust the linkage length by releasing the drive lever and removing clevis pin and rotating the linkage in the lower swivel. Lengthen the linkage if the tire is turning in reverse and shorten the linkage if the tire is creeping forward. Rotate the linkage several turns if the tire is rotating fairly fast. But as the adjustment gets closer, adjust the linkage in 1/2 turn increments. Release and re-engage neutral lock latch checking that the tire stops. Continue this process until the tire is at a dead stop. Replace the hairpin back into each clevis pin.
For ECS Handles: Adjust the linkage length by loosening the jam nuts at both ends of the linkage and rotating the linkage in the ball joints. Lengthen the linkage if the tire is turning in reverse and shorten the linkage if the tire is creeping forward. Tighten the jam nuts at both ends. Release and re-engage the neutral lock latch checking that the tire stops. Continue this process until the tire is at a dead stop.



**FIGURE 16
DRIVE LEVER AND LATCH IN NEUTRAL POSITION**

3. Make this adjustment for both sides.

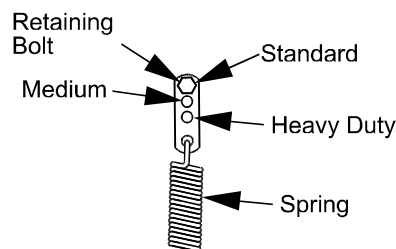
e) Tracking Adjustment

1. Stop engine and wait for all moving parts to stop. Raise the rear of the machine, remove jack stands and carefully lower the machine to the ground. (Check the drive tire pressure and tire circumference. See 5.1.11.)
2. Run the unit and observe the tracking on a level, smooth, hard surface such as concrete or asphalt.
3. If the unit tracks to one side or the other, turn the quick track knob. Turn the knob right to “steer” right; turn the knob left to “steer” left.

5.2.7 Hydro Pump Spring Tension Setting

- a) For medium or heavy duty drive conditions such as operation with a sulky on steep slopes, a higher spring force may be required on the hydro pump control arms to prevent the drive system from stalling.
- b) For a heavier drive setting, relocate the spring anchor link to either the “medium” or “heavy duty” positions as shown in Figure 17. The spring anchor links are attached to the upper rear corner of the hydro drive shields on the left and right hand sides of the machine.

Note: In the “medium” or “heavy duty” positions, the drive lever forces at the upper handle will also be increased.




**FIGURE 17
HYDRO PUMP SPRING TENSION SETTING**

6. WASTE DISPOSAL

6.1 MOTOR OIL DISPOSAL

Engine oil and hydraulic oil are both pollutants to the environment. Dispose of used oil at a certified recycling center or according to your state and local regulations.

6.2 BATTERY DISPOSAL

 DANGER
POTENTIAL HAZARD <ul style="list-style-type: none">◆ Battery electrolyte contains sulfuric acid, which is poisonous and can cause severe burns
WHAT CAN HAPPEN <ul style="list-style-type: none">◆ Swallowing electrolyte can be fatal or if it touches skin can cause severe burns.
HOW TO AVOID THE HAZARD <ul style="list-style-type: none">◆ Wear safety glasses to shield eyes, and rubber gloves to protect skin and clothing when handling electrolyte.◆ Do not swallow electrolyte.

Federal law states that batteries should not be placed in the garbage. Management and disposal practices must be within relevant federal, state, or local laws.

If a battery is being replaced or if the unit containing the battery is no longer operating and is being scrapped, take the battery to a local certified recycling center. If no local recycling is available return the battery to any certified battery reseller.

7. TROUBLE SHOOTING

7.1 MOWER TRACKS TO LEFT OR RIGHT.

- a) Check the drive tire pressure and tire circumference. See 5.1.11.
- b) Turn knob on the right hydro control linkage in the direction that the mower needs to be adjusted to. Turn the knob in 1/4 turn increments until the mower tracks correctly.

7.2 MOWER CUTS UNEVENLY.

- a) Check the drive tire pressure and tire circumference. See 5.1.11.
A more uniform cutting height may be obtained with higher tire pressure on rough terrain. A lower tire pressure provides more flotation.
- b) Check deck support pins. Hairpin clips must be in the same hole position on each support pin. See Section 5.2.1
- c) Check deck support alignment and check mounting brackets to be sure all bolts are tight.
- d) Check blades tip to tip for straightness. (They should be within 3/16", or one blade width from being in line.)

7.3 ENGINE WILL NOT START.

- a) Make sure battery has a full charge (Electric start only). (See section 5.1.23)
- b) Check that choke is in the "ON" position for a cold engine or in the "OFF" position for a warm engine. See 4.3.2.

NOTE: Kawasaki engines may need to be choked even when warm.

- c) Make sure the key switch is in the "ON" position (15 & 17 HP Kawasaki Manual start).
- d) Make sure the speed control lever is in the "true neutral" position. (See section 5.2.6)
- e) Check that the PTO is disengaged and the PTO switch is depressed.
- f) Make sure the OPC levers are depressed. (Electric start only)
- g) Check that there is fuel in the tank and that the fuel valve is open.

- h) Check that the spark plug wire(s) are properly connected.
- i) Check for loose or faulty wiring connections. If it is necessary to disconnect wire connectors, **Do Not** pull on the wires while disconnecting.
- j) Check for corrosion at all wiring connections. Even minor corrosion may cause a faulty connection. Clean connector terminals thoroughly with electrical contact cleaner, apply dielectric grease and reconnect.

IMPORTANT: It is essential that all operator safety mechanisms be connected and in proper operating condition prior to mower use.

NOTE: After carefully checking the above steps, attempt to start the engine. If it does not start, contact your authorized Exmark service dealer.

ENGINE TROUBLESHOOTING

When a problem occurs, do not overlook the simple causes. For example, starting problems could be caused by an empty fuel tank.

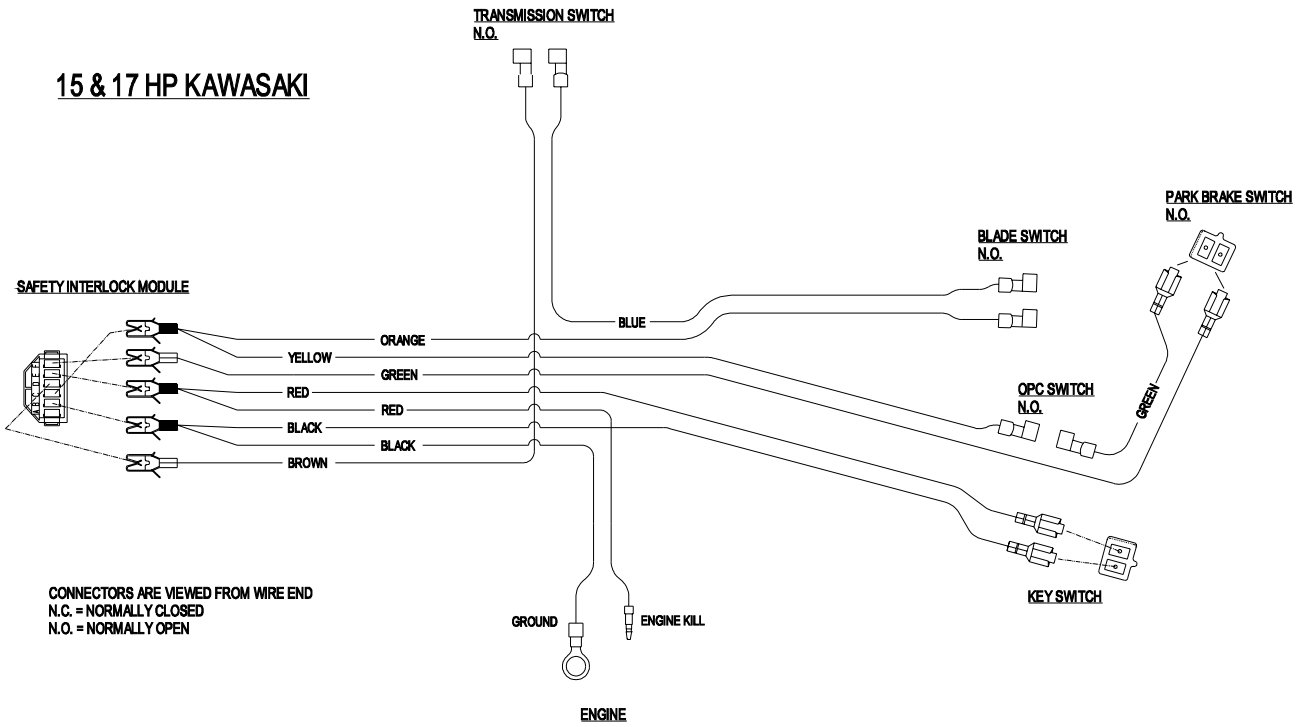
The following table lists some of the common causes of trouble.

Do not attempt to service or replace major items or any items that call for special timing or adjustment procedures (such as valves, governor, etc.). Have this work done by your **Engine Service Dealer**.

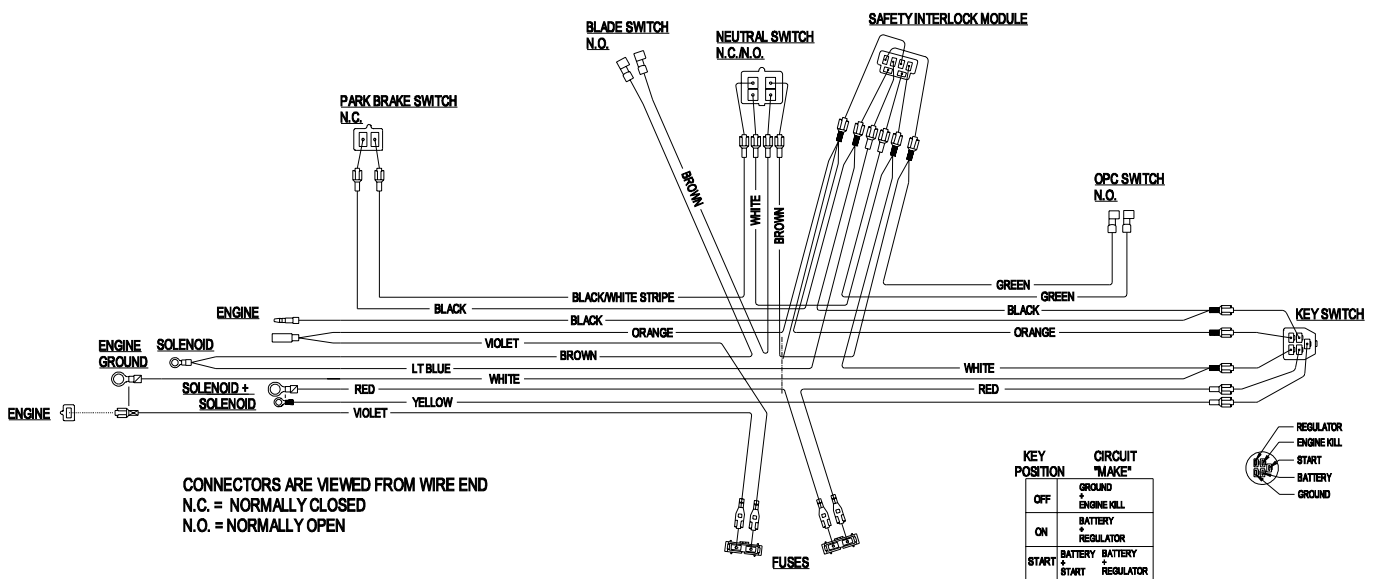
ENGINE TROUBLESHOOTING TABLE

PROBLEM	NO FUEL	IMPROPER FUEL	DIRT IN FUEL LINE	DIRTY AIR FILTER	FAULTY SPARK PLUG	ENGINE OVERLOADED	BLOCKED FUEL FILTER	INCORRECT OIL LEVEL	DIRTY AIR SCREEN
Will not start	X		X	X	X	X	X		
Hard starting	X	X	X	X	X	X	X		
Stops suddenly	X		X	X		X	X	X	X
Lacks power		X	X	X	X	X	X	X	X
Operates erratically		X	X	X	X	X	X		X
Knocks or pings		X				X			X
Skips or misfires		X	X	X	X				X
Backfires			X	X	X	X			X
Overheats			X	X		X		X	X
High fuel consumption				X	X	X			X

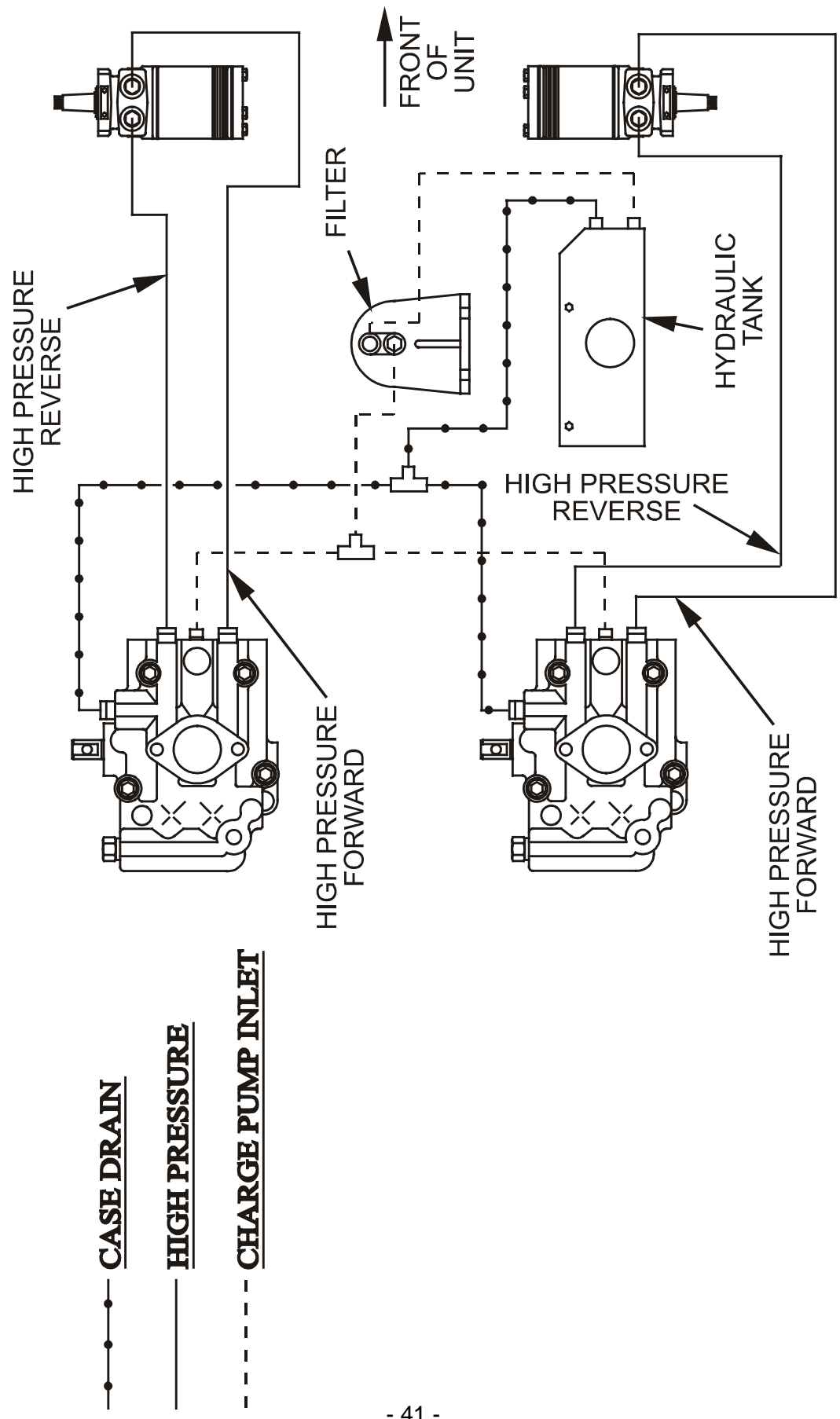
8. WIRING DIAGRAMS



17 HP KAWASAKI ELECTRIC START



9. HYDRAULIC DIAGRAM



10. WARRANTY

Limited Warranty Exmark Commercial Turf Equipment

Exmark Mfg. Co. Inc. and its affiliate, Exmark Warranty Company, pursuant to an agreement between them, jointly warrant on the terms and conditions herein, that we will repair, replace or adjust any part manufactured by Exmark and found by us (in the exercise of our reasonable discretion) to be defective in factory material or workmanship.

This warranty is limited to one year from the date of original retail purchase (90 days for rental use) for any Exmark mower that is used for commercial or any other income producing purpose. The blade spindle assemblies will be warranted for three years, one year parts and labor with an additional two years parts only, from date of original retail purchase against defects in materials or workmanship. The frame and hydrostatic traction drive system, excluding hoses, will be warranted for two full years from date of original retail purchase against defects in materials or workmanship. We will extend the Peerless 5-speed transmission manufacturer's warranty from 90 days to one year. Belts and tires are warranted for 90 days against defects in materials or workmanship.

The engine warranty is covered by its respective engine manufacturer. Please refer to the engine manufacturer's warranty statement that is included in the literature packet. We are not authorized to handle warranty adjustments on engines. Engine warranties should be referred to the nearest authorized service outlet of the engine manufacturer.

This warranty extends only to the original retail purchaser of the equipment. This warranty may not be assigned or transferred without the prior express written consent of Exmark and Exmark Warranty Company. The warranty period commences upon the date of the original retail purchase.

The Exmark turf equipment, including any defective part, must be returned to an authorized Exmark service dealer within the warranty period. The warranty shall extend to the expense of repair or replacement (as determined by us) of the defective part, including labor. The warranty shall not extend to the expense of delivering the mower to the dealer for warranty work nor the expense of returning it back to the owner after repair or replacement. Our responsibility in respect to claims is limited to making the required repairs or replacements, and no claim of breach of warranty shall be cause for cancellation or rescission of the contract of sale of any Exmark mower. Proof of purchase may be required by the dealer to substantiate any warranty claim. All warranty work must be performed by an authorized Exmark service dealer.

This warranty extends only to turf equipment operated under normal conditions and properly serviced and maintained. The warranty expressly does not cover: (i) any damage or deterioration due to normal use, wear and tear, or exposure; (ii) normal maintenance services, such as oil change, cleaning, lubrication; adjustment; (iii) replacement of service items, such as oil, lubricants, spark plugs, or other items subject to normal service replacement; (iv) damage or defects arising out of or relating to misuse, neglect, alteration, negligence or accident; (v) repair or replacement arising from operation of or use of the turf equipment which is not in accordance with operating instructions as specified in the operator's manual or other operational instructions provided by Exmark; (vi) repair or replacement arising as a result of any operation from turf equipment that has been altered or modified so as to, in the determination of Exmark or Exmark Warranty Company, adversely affect the operation, performance or durability of the equipment or that has altered, modified or affected the turf equipment so as to change the intended use of the product; (vii) repair or replacement necessitated by use of parts, accessories or supplies, including gasoline, oil or lubricants, incompatible with the turf equipment or other than as recommended in the operator's manual or other operational instructions provided by Exmark; (viii) repairs or replacements resulting from parts or accessories which have adversely affected the operation, performance or durability of the turf equipment; or (ix) damage or defects due to or arising out of repair of turf equipment by person or persons other than an authorized Exmark service dealer or the installation of parts other than genuine Exmark or Exmark recommended parts.

As a condition to this warranty, customer shall have read the operator's manual and shall have completed and returned to Exmark Warranty Company, within the prescribed time, the Exmark warranty registration.

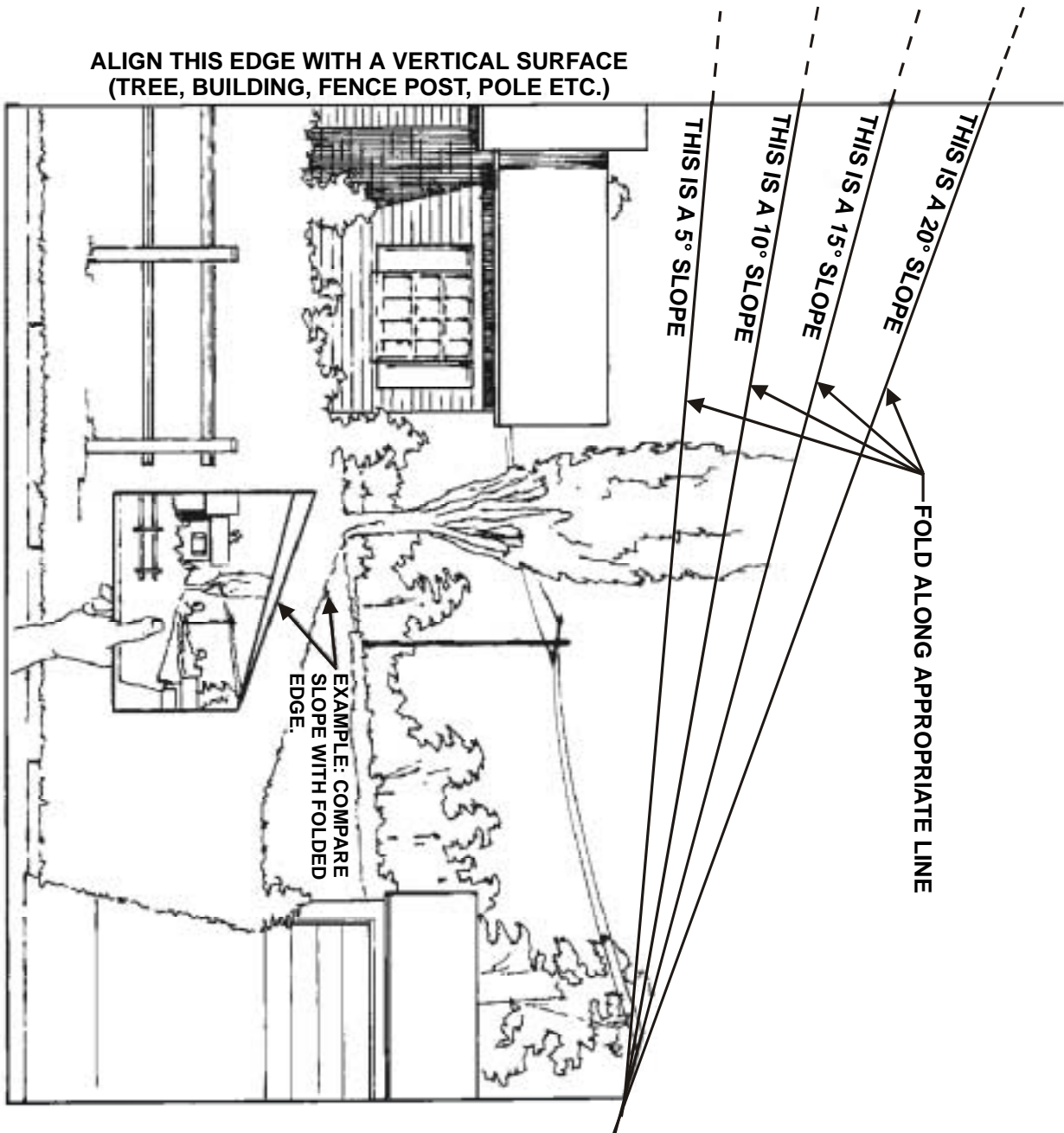
The sole liability of Exmark and Exmark Warranty Company with respect to this warranty shall be repair and replacement as set forth herein. Neither Exmark nor Exmark Warranty Company shall have any liability for any other cost, loss or damage, including but not limited to, any incidental or consequential loss or damage. In particular, we shall have no liability or responsibility for: (i) expenses relating to gasoline, oil or lubricants; (ii) loss, cost or expense relating to transportation or delivery of turf equipment from the location of owner or location where used by owner to or from any authorized Exmark service dealer; (iii) travel time, overtime, after hours time or other extraordinary repair charges or charge relating to repairs or replacements outside of normal business hours at the place of business of the authorized Exmark service dealer; (iv) rental of like or similar replacement equipment during the period of any warranty, repair or replacement work; (v) any telephone or telegram charges or travel charges; (vi) loss or damage to person or property other than that covered by the terms of this warranty; (vii) any claims for lost revenue, lost profit or additional cost as a result of a claim of breach of warranty; or (viii) attorney's fees.

There are no representations or warranties which have been authorized and provided to the buyer of the turf equipment, other than as set forth in this warranty. Any and all statements or representations made by any seller of this equipment, including those set forth in any sales literature or made orally by any sales representative, are superseded by the terms of this warranty. Any affirmation of fact or promise made by Exmark, Exmark Warranty Company or any of their representatives to the buyer which relates to the goods that are the subject of this warranty shall not be regarded as part of the basis of the bargain and shall not be deemed to create any express warranty that such goods shall conform to the affirmation or promise.

THERE ARE NO UNDERSTANDINGS, AGREEMENTS, REPRESENTATIONS, OR WARRANTIES, EXPRESS OR IMPLIED (INCLUDING BUT NOT LIMITED TO ANY REGARDING THE MERCHANTABILITY OR FITNESS FOR A PARTICULAR PURPOSE), NOT SPECIFIED HEREIN, RESPECTING THE EQUIPMENT WHICH IS THE SUBJECT OF THIS WARRANTY.

This warranty applies to all Exmark turf equipment sold in the United States and Canada and intended to be used for commercial purposes.

NOTES



**SEE EXMARK'S COMPLETE
LINE OF PRODUCTS FOR TURF CARE**

LAZER Z[®]

LAZER Z[®] HP

LAZER Z[®] XP

TURF RANGER[®]

TURF TRACER[®]

TURF TRACER[®] HP

METRO[®]

METRO[®] HP

VIKING HYDRO

ULTRA VAC[™]

GRASS CATCHER

SELF STEERING SULKY

MICRO-MULCH[™] ACCESSORY



WARNING

The engine exhaust from this product contains chemicals known to the State of California to cause cancer, birth defects, or other reproductive harm.

©1997,1998, 1999, 2000, 2001
EXMARK MFG. CO. INC.
INDUSTRIAL PARK BOX 808
BEATRICE, NE 68310
ALL RIGHTS RESERVED

PART NO. 103-1773
(402) 223-6300
FAX (402) 223-5489

PRINTED IN U.S.A.



Free Manuals Download Website

<http://myh66.com>

<http://usermanuals.us>

<http://www.somanuals.com>

<http://www.4manuals.cc>

<http://www.manual-lib.com>

<http://www.404manual.com>

<http://www.luxmanual.com>

<http://aubethermostatmanual.com>

Golf course search by state

<http://golfingnear.com>

Email search by domain

<http://emailbydomain.com>

Auto manuals search

<http://auto.somanuals.com>

TV manuals search

<http://tv.somanuals.com>