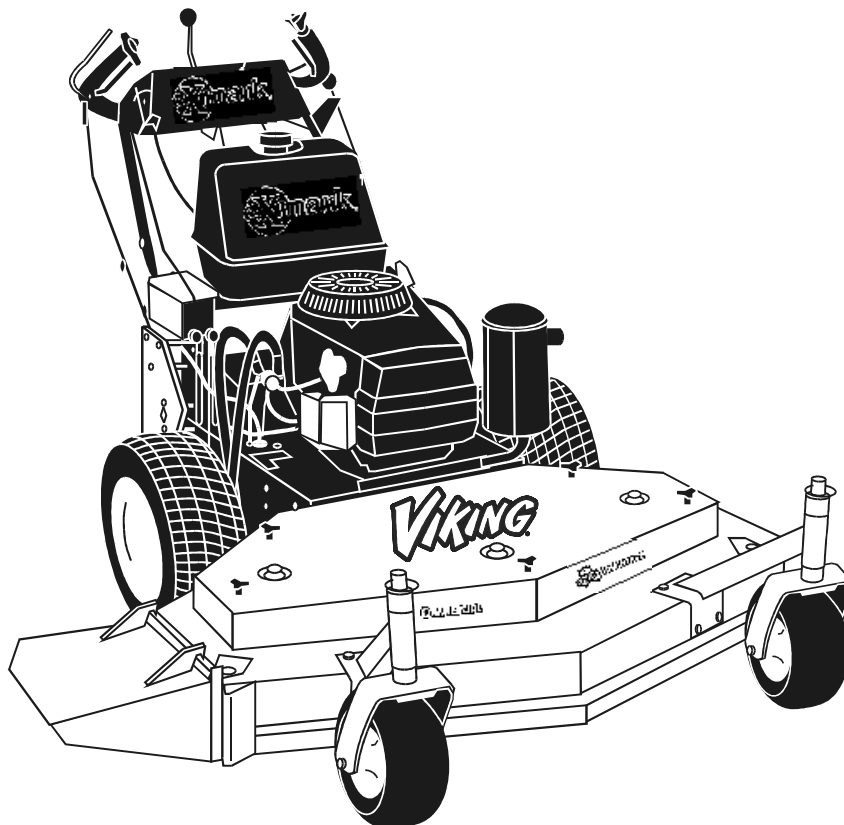




For Serial Nos.
670,000 & Higher



OPERATOR'S MANUAL

VIKING HYDRO

CONGRATULATIONS on the purchase of your new Exmark mower. This product has been carefully designed and manufactured to give you a maximum amount of dependability and years of trouble-free operation. If additional information is needed, or should you require trained mechanic service, contact your authorized Exmark equipment dealer or distributor. If you need to order replacement parts from your dealer, always give the model number and serial number of your mower as well as the part number, description and quantity of the part needed.

The Serial No. plate is located on the top front engine frame on the right hand side of the machine. For ease of ordering and reference, we suggest that you record the information requested in the following identification table.

Place Model No. and Serial No. Label Here
(Included in Literature Pack)
or Fill in Below

Model No. _____


Serial No. _____



Engine Model No. and Spec. No. (Code) _____

Engine Serial No. (E/No) _____

Date Purchased _____

Part No. 109-6455 Rev A.

 WARNING 	
POTENTIAL HAZARD	
◆ This product is a piece of power equipment.	
WHAT CAN HAPPEN	
◆ Failure to follow safe operating practices can result in serious operator injury or even death.	
HOW TO AVOID THE HAZARD	
◆ Keep all shields, guards, and safety devices (especially the grass discharge system) in place and in proper working condition.	
◆ Stop engine, wait for all moving parts to stop and engage parking brake. Remove spark plug wire(s) or remove key before adjusting, servicing, or performing maintenance.	
◆ If mower deck becomes clogged, stop engine, wait for all moving parts to stop and engage parking brake. Remove spark plug wire(s) or remove key before cleaning blockage.	
◆ Keep hands, feet, and clothing away from power driven parts.	
◆ Keep off mower unless seat platform is provided.	
◆ Keep others off mower.	

 WARNING 	
POTENTIAL HAZARD	
◆ Gasoline is harmful or fatal if swallowed. Long-term exposure to vapors has caused cancer in laboratory animals.	
WHAT CAN HAPPEN	
◆ Failure to use caution may cause serious injury or illness.	
HOW TO AVOID THE HAZARD	
◆ Avoid prolonged breathing of vapors.	
◆ Keep face away from nozzle and gas tank/container opening.	
◆ Keep away from eyes and skin.	
◆ Never siphon by mouth.	

IMPORTANT

When the mower is used or operated on any California forest, brush or grass covered land, a working spark arrester must be attached to the muffler. If not, the operator is violating state law, Section 4442 Public Resource Code. To acquire a spark arrester for your unit, see your Engine Service Dealer.

This spark ignition system complies with Canadian ICES-002
 Ce système d'allumage par étincelle de véhicule est conforme à la norme NMB-002 du Canada

The enclosed Engine Owner's Manual is supplied for information regarding The U.S. Environmental Protection Agency (EPA) and the California Emission Control Regulation of emission systems, maintenance and warranty.

Keep this engine Owner's Manual with your unit. Should this engine Owner's Manual become damaged or illegible, replace immediately. Replacements may be ordered through the engine manufacturer.

Exmark reserves the right to make changes or add improvements to its products at any time without incurring any obligation to make such changes to products manufactured previously. Exmark, or its distributors and dealers, accept no responsibility for variations which may be evident in the actual specifications of its products and the statements and descriptions contained in this publication.

EXMARK PARTS PLUS® PROGRAM

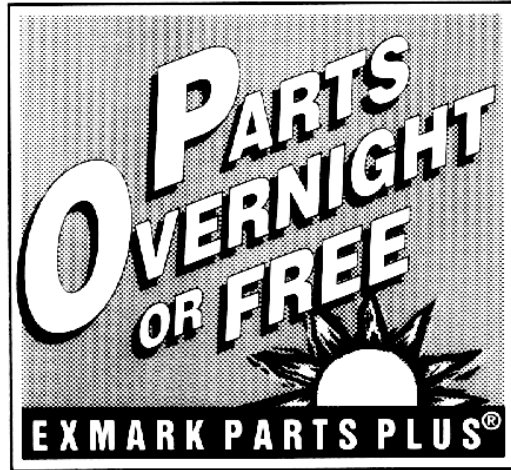
EFFECTIVE DATE: September 1, 1995

Program

If your Exmark dealer does not have the Exmark part in stock, Exmark will get the parts to the dealer the next business day or the part will be FREE* Guaranteed!!

How the Program Works

1. If dealer does not have part in stock for a "down" unit at the time of request by customer, the dealer contacts his distributor by 1:00 p.m., local time, and requests Exmark Parts Plus® shipment of six (6) line items or less.
2. Distributor ships part(s) to dealer or customer, as requested by dealer, same day, overnight UPS Distributor bills dealer for part and freight charges where applicable.
3. If distributor does not have the part(s) in stock to satisfy Exmark Parts Plus® order, he contacts Exmark by 3:00 p.m., central time, with an Exmark Parts Plus® order of six (6) line items or less.
4. If order is received by 3:00 p.m. central time, Exmark ships part(s) direct to dealer or customer, as requested by distributor, same day, overnight UPS Exmark bills the distributor for parts and shipping charges, where applicable.
5. The customer pays for the part and freight if it is shipped under the Exmark Parts Plus® and if it arrives in accordance to the program.
6. Who pays for the part and freight if it fails to arrive overnight in accordance to the program?
 - A. Under any circumstance the customer does not pay.
 - B. If the part does not arrive overnight due to:
 1. The dealer not submitting the Exmark Parts Plus® order to his Exmark distributor by 1:00 p.m., the dealer pays for the part and freight.
 2. The Distributor being unable to ship the part the same day or not submitting the Exmark Parts Plus® order to Exmark by 3:00 p.m., central time, the Distributor pays for the part and freight.
 3. Exmark being unable to ship the part and the Exmark parts order is received by 3:00 p.m., central time, Exmark pays for the part and freight.
 4. If the part does not arrive overnight due to the shipper (UPS), the shipper pays for the freight and Exmark pays for the part.



The following restrictions apply -- The Exmark Parts Plus® Program is available only through participating Exmark Dealers and applies only to orders submitted on this program Monday through Thursday. Part Plus service is available only in the 48 contiguous United States. UPS has initiated a Saturday delivery program to many areas of the continental United States and can be requested for an overnight shipment on Friday to be delivered Saturday. The next day air charge, plus the Saturday delivery fee will be the responsibility of the purchaser. Exmark Mfg. will assume no responsibility for Saturday delivery shipments. To qualify, all Exmark Parts Plus® orders must be received by Exmark by 3:00 p.m., central time. Orders must be six (6) line items or less. Exclusions from the Exmark Parts Plus® Program are: Any wholegood or accessory in its entirety, engines and engine replacement parts, 5-speed Peerless transmissions and 5-speed transaxles, hydraulic or hydrostatic wheel motors, cutter decks and engine decks or any item exceeding United Parcel Service size and weight restrictions.

Due to UPS restrictions, aerosol spray paint is considered a hazardous material and cannot be shipped via UPS next day or Second Day Air.

Exmark Manufacturing stocks a limited supply of parts for transaxles, pumps and wheel motors. These parts can be ordered for Next Day Air shipment but will not be guaranteed per the Parts Plus Program.

CONGRATULATIONS on the purchase of your Exmark Mower. This product has been carefully designed and manufactured to give you a maximum amount of dependability and years of trouble-free operation.

OPERATOR'S MANUAL

This manual contains operating, maintenance, adjustment, and safety instructions for your Exmark mower.

BEFORE OPERATING YOUR MOWER, CAREFULLY READ THIS MANUAL IN ITS ENTIRETY.

By following the operating, maintenance, and safety instructions, you will prolong the life of your mower, maintain its maximum efficiency, and promote safe operation.

If additional information is needed, or should you require trained mechanic service, contact your authorized Exmark equipment dealer or distributor.

All Exmark equipment dealers and distributors are kept informed of the latest methods of servicing and are equipped to provide prompt and efficient service in the field or at their service stations. They carry ample stock of service parts or can secure them promptly for you from the factory.


All Exmark parts are thoroughly tested and inspected before leaving the factory, however, attention is required on your part if you are to obtain the fullest measure of satisfaction and performance.

TABLE OF CONTENTS

<u>DESCRIPTION</u>	<u>PAGE</u>
1. SAFETY	
1.1 Safety Alert Symbol	1
1.2 Training.....	1
1.3 Preparation	1-4
1.4 Operation.....	4-7
1.5 Maintenance & Storage.....	7
1.6 Riding Attachments	8
1.7 Safety Signs.....	8-9
2. SPECIFICATIONS	
2.1 Model Number.....	10
2.2 Engine.....	10
2.3 Fuel System	10
2.4 Safety Interlock System	10
2.5 Steering/Brake Control.....	10
2.6 Transmission.....	10
2.7 Wheel Drive System.....	10
2.8 Tires.....	10
2.9 Deck.....	11
2.10 Dimensions	11
2.11 Torque Requirements	11
3. OPERATION INSTRUCTIONS	
3.1 Controls.....	11-13
3.2 Pre-Start.....	13
3.3 Operation Instructions	13-16
3.4 Transporting.....	16
4. MAINTENANCE & ADJUSTMENTS	
4.1 Periodic Maintenance.....	17-23
4.2 Adjustments	24-31
5. WASTE DISPOSAL	
5.1 Motor Oil Disposal.....	31
6. TROUBLE SHOOTING	
6.1 Mower Tracks Left or Right	31
6.2 Mower Cuts Unevenly	31-32
6.3 Blades Do Not Stop When Disengaged	32
6.4 Engine Will Not Start.....	32
7. BELT ROUTING (MOWER DECKS)	33
8. WIRING DIAGRAM	34
9. HYDRAULIC DIAGRAM	34
10. WARRANTY	35

1. SAFETY

1.1 SAFETY ALERT SYMBOL

This SAFETY ALERT SYMBOL  is used both in this manual and on the machine to identify important safety messages which must be followed to avoid accidents. This symbol means:

ATTENTION! BECOME ALERT! YOUR SAFETY IS INVOLVED!

The safety alert symbol appears above information which alerts you to unsafe actions or situations and will be followed by the word **DANGER**, **WARNING**, or **CAUTION**.

DANGER: White lettering/Red background. Indicates an imminently hazardous situation which, if not avoided, **WILL** result in death or serious injury.

WARNING: Black lettering/Orange background. Indicates a potentially hazardous situation which, if not avoided, **COULD** result in death or serious injury.



CAUTION: Black lettering/Yellow background. Indicates a potentially hazardous situation which, if not avoided, **MAY** result in minor or moderate injury.

1.2 TRAINING



- 1.2.1 Regard the Exmark mower as a piece of power equipment and teach this regard to all who operate this unit.
- 1.2.2 Read the instructions carefully. Familiarize yourself with the controls and the proper use of the equipment. If the operator(s) or mechanic(s) can not read English it is the owner's responsibility to explain this material to them.
- 1.2.3 Do not allow operation of this machine by untrained personnel. Never allow children, teenagers, or people unfamiliar with these instructions to use the mower. Local regulations may restrict the age of the operator.
- 1.2.4 Avoid mowing while people, especially children, or pets, are nearby. Keep in mind that the operator or user is responsible for accidents or hazards occurring to other people or their property.



1.3 PREPARATION

- 1.3.1 Evaluate the terrain to determine what accessories and attachments are needed to properly and safely perform the job. Only use accessories and attachments approved by Exmark.
- 1.3.2 The use of personal protective equipment, such as (but not limited to) protection for the eyes, ears, feet and head is recommended.

 CAUTION 	
POTENTIAL HAZARD	◆ This machine produces sound levels in excess of 85 dBA at the operator's ear when in operation.
WHAT CAN HAPPEN	◆ Exposure to sound levels of 85 dBA or above for extended periods of time can cause hearing loss.
HOW TO AVOID THE HAZARD	◆ Wear hearing protection when operating this machine.

- 1.3.3 While mowing, always wear substantial footwear and long trousers. Do not operate equipment when barefoot or when wearing open sandals.
- 1.3.4 Thoroughly inspect the area where the equipment is to be used and remove all stones, sticks, wires, bones, and other foreign objects which may damage the equipment or cause personal injury to the operator or bystanders.

 WARNING 	
POTENTIAL HAZARD	
<ul style="list-style-type: none"> ◆ Engine exhaust contains carbon monoxide, which is an odorless deadly poison. 	
WHAT CAN HAPPEN	
<ul style="list-style-type: none"> ◆ Carbon monoxide can kill you. 	
HOW TO AVOID THE HAZARD	
<ul style="list-style-type: none"> ◆ Do not run engine indoors or in a small confined area where dangerous carbon monoxide fumes can collect. 	

 DANGER 	
POTENTIAL HAZARD	
<ul style="list-style-type: none"> ◆ In certain conditions gasoline is extremely flammable and highly explosive. 	
WHAT CAN HAPPEN	
<ul style="list-style-type: none"> ◆ A fire or explosion from gasoline can burn you, others, and cause property damage. 	
HOW TO AVOID THE HAZARD	
<ul style="list-style-type: none"> ◆ <i>DO NOT</i> smoke while refueling, and stay away from an open flame or where gasoline fumes may be ignited by spark. ◆ Refuel only outdoors. ◆ Store gasoline in an approved container and keep it out of the reach of children. ◆ Add fuel before starting the engine. <i>Never</i> remove the cap of the fuel tank or add fuel when engine is running or when the engine is hot. ◆ <i>Never</i> fill the fuel tank so that the gasoline level rises above a level that is 1/2" below the bottom of the filler neck to allow for gasoline expansion and prevent fuel spillage. ◆ If fuel is spilled, <i>DO NOT</i> attempt to start the engine. Move away from the area of the spill and avoid creating any source of ignition until fuel vapors have dissipated. ◆ Do not operate without entire exhaust system in place and in proper working condition. 	



DANGER



POTENTIAL HAZARD



- ◆ In certain conditions gasoline is extremely flammable and highly explosive.

WHAT CAN HAPPEN

- ◆ A static charge can ignite gasoline vapors. A fire or explosion from gasoline can burn you, others, and cause property damage.



HOW TO AVOID THE HAZARD

- ◆ Purchase and store gasoline only in an approved container.
- ◆ Always place gasoline containers on the ground away from your vehicle before filling.
- ◆ Do not fill gasoline containers inside a vehicle or on a truck or trailer bed because interior carpets or plastic truck bed liners may insulate the container and slow the loss of any static charge.
- ◆ When practical, remove gas-powered equipment from the truck or trailer and refuel the equipment with its wheels on the ground.
- ◆ If this is not possible, then refuel such equipment on a truck or trailer from a portable container, rather than from a gasoline dispenser nozzle.
- ◆ If a gasoline dispenser nozzle must be used, keep the nozzle in contact with the rim of the fuel tank or container opening at all times until fueling is complete.

 WARNING 
POTENTIAL HAZARD <ul style="list-style-type: none"> ◆ Gasoline vapor can collect inside enclosed trailers and may be ignited by electrical sparks or hot engine/exhaust components.
WHAT CAN HAPPEN <ul style="list-style-type: none"> ◆ Explosion and fire may occur, resulting in property damage, personal injury, and/or death.
HOW TO AVOID THE HAZARD <ul style="list-style-type: none"> ◆ Provide adequate ventilation of any enclosed trailer to prevent build up of gasoline vapors, especially at floor level. ◆ Refuel only outdoors, never inside an enclosed trailer. ◆ Be sure all fuel tanks and gasoline storage containers have proper caps installed to prevent spillage and minimize vapor escaping into the trailer. ◆ Do not place any equipment that is leaking gasoline in an enclosed trailer.



1.4 OPERATION

Although hazard control and accident prevention are partially dependent upon the design and configuration of the equipment, these factors are also dependent upon the awareness, concern, prudence, and proper training of the personnel involved in the operation, transport, maintenance, and storage of the equipment. It is essential that all Operator Safety Mechanisms be connected and in operating condition prior to use for mowing.

 WARNING 
POTENTIAL HAZARD <ul style="list-style-type: none"> ◆ Operating engine parts, especially the muffler, become extremely hot.
WHAT CAN HAPPEN <ul style="list-style-type: none"> ◆ Severe burns can occur on contact. ◆ Debris, such as leaves, grass, brush, etc. can catch fire.
HOW TO AVOID THE HAZARD <ul style="list-style-type: none"> ◆ Allow engine parts, especially the muffler, to cool before touching. ◆ Remove accumulated debris from muffler and engine area. ◆ Install and maintain in working order a spark arrester before using equipment on forest-covered, grass-covered, or brush-covered unimproved land.

 WARNING 
POTENTIAL HAZARD <ul style="list-style-type: none"> ◆ Hands, feet, hair, clothing, or accessories can become entangled in rotating parts.
WHAT CAN HAPPEN <ul style="list-style-type: none"> ◆ Contact with rotating parts can cause traumatic amputation or severe lacerations.
HOW TO AVOID THE HAZARD <ul style="list-style-type: none"> ◆ Do not operate the machine without guards, shields, and safety devices in place and working properly. ◆ Keep hands, feet, hair, jewelry, or clothing away from rotating parts.

- 1.4.1 Give complete, undivided attention to the job at hand.
- 1.4.2 Mow only in daylight or good artificial light, keeping away from holes and hidden hazards. **Do Not** operate the mower when children or others are in the area.
- 1.4.3 When feasible, avoid operating the equipment in wet grass.
- 1.4.4 Use **EXTREME** caution when mowing and/or turning on slopes as loss of traction and/or control could occur.

 DANGER 
POTENTIAL HAZARD <ul style="list-style-type: none"> ◆ Mowing on wet grass or steep slopes can cause sliding and loss of control.
WHAT CAN HAPPEN <ul style="list-style-type: none"> ◆ Loss of control and/or loss of operator's footing could result in a fall with an arm or leg getting under the mower or engine deck, which may result in serious injury or death.
HOW TO AVOID THE HAZARD <ul style="list-style-type: none"> ◆ Mow across slopes, never up and down. ◆ Do not mow slopes when grass is wet. ◆ Do not mow near drop-offs or near water. ◆ Do not mow slopes greater than 20 degrees. ◆ Reduce speed and use extreme caution on slopes. ◆ Avoid sudden turns or rapid speed changes.



- See inside the back cover to determine the approximate slope angle of the area to be mowed.
- Progressively greater care is needed as the slope increases.

- Always avoid sudden starting or stopping on a slope. If tires lose traction, disengage the blades and proceed slowly off the slope.
 - Be aware that loss of traction may occur going downhill. Weight transfer to the front wheels may cause drive wheels to slip and cause loss of braking and steering.
 - Watch for ditches, holes, rocks, dips, and rises that change the operating angle, as rough terrain could overturn the machine.
 - Remove or mark obstacles such as rocks, tree limbs, etc. from the mowing area. Tall grass can hide obstacles.
 - Use extreme care with grass catchers or attachments. These can change the stability of the machine and cause loss of control.
- 1.4.5 Use **EXTREME** caution when backing up. **LOOK BEHIND YOU!!**
- 1.4.6 Stop the blades when crossing surfaces other than grass, if mower must be tilted for transportation, and when transporting the mower to and from the area to be mowed.
- 1.4.7 Never operate the mower with defective guards, shields, or covers. Always have safety shields, guards, switches, and other devices in place and in proper working condition.
- 1.4.8 **Do Not** change the engine governor settings or over speed the engine. Operating an engine at excessive speed may increase the hazard of personal injury.
- 1.4.9 Place speed control lever in neutral, lock drive levers in neutral, disengage PTO, and engage park brake before starting engine.
- 1.4.10 Start the engine carefully with feet well away from the blades.
- 1.4.11 Keep hands, feet, and clothing away from rotating parts while the mower is being operated.
- 1.4.12 Stop the engine and wait for all moving parts to stop. Engage parking brake. Remove plug wire(s) or ignition key:
- Before checking, cleaning or working on the mower.
 - After striking a foreign object (inspect the mower for damage and make repairs before restarting and operating the mower).
 - Before clearing blockages.
 - Whenever you leave the mower.
- 1.4.13 Stop the engine and wait for all moving parts to stop:
- Before removing the grass catcher.
 - Before refueling.
 - Before making height adjustments.
- 1.4.14 Before stopping the engine, place the throttle control **midway** between the “slow” and “fast” positions. Allow the engine to run a minimum of 15 seconds; then stop the engine.
- 1.4.15 The fuel system is provided with a shut-off valve. The fuel shut-off valve is used to shut off the fuel when:
- The machine will not be used for a few days.
 - During transport to and from the job.
 - When parking inside a building.
- 1.4.16 This mower was designed for one operator only. Keep all others away from mower during operation.
- 1.4.17 **Do Not** mow with the grass deflector raised, removed, or altered unless there is a grass collection system or mulch kit in place and working properly.

- 1.4.18 Be aware of the mower discharge and direct discharge away from others.
- 1.4.19 Do NOT operate the mower under the influence of alcohol or drugs.
- 1.4.20 Use care when approaching blind corners, shrubs, trees, or other objects that may obscure vision.

1.5 MAINTENANCE AND STORAGE

- 1.5.1 For engine maintenance, follow the engine manufacture's recommendations precisely as stated in the engine manual.
- 1.5.2 Keep engine and engine area free from accumulation of grass, leaves, excessive grease or oil, and other debris which can accumulate in these areas. These materials can become combustible and may result in a fire.
- 1.5.3 Store fuel in a container specifically designed for this purpose in a cool, dry place.
- 1.5.4 Keep the mower and fuel container in locked storage to prevent children from playing or tampering with them.
- 1.5.5 Gasoline powered equipment or fuel containers should not be stored in a basement or any enclosed area where open pilot lights or heat appliances are present.
- 1.5.6 Maximum mowing results and safety can only be achieved if the mower is properly maintained and operated correctly.
- 1.5.7 Check all bolts frequently to maintain proper tightness.
- 1.5.8 Keep all guards, shields, and all safety devices in place and in safe working condition.
- 1.5.9 Frequently check for worn or deteriorating components that could create a hazard.
- 1.5.10 All replacement parts must be the same as or equivalent to the parts supplied as original equipment.

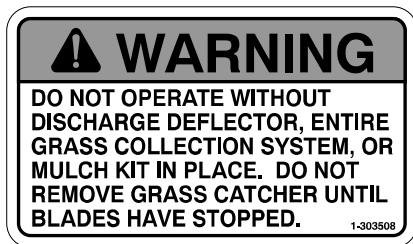
 WARNING 	
POTENTIAL HAZARD	
<ul style="list-style-type: none"> ◆ Hydraulic fluid escaping under pressure can penetrate skin and cause injury. 	
WHAT CAN HAPPEN	
<ul style="list-style-type: none"> ◆ Fluid accidentally injected into the skin must be surgically removed within a few hours by a doctor familiar with this form of injury or gangrene may result. 	
HOW TO AVOID THE HAZARD	
<ul style="list-style-type: none"> ◆ Make sure all hydraulic fluid hoses and lines are in good condition and all hydraulic connections and fittings are tight before applying pressure to hydraulic system. ◆ Keep body and hands away from pinhole leaks or nozzles that eject high pressure hydraulic fluid. ◆ Use cardboard or paper and not hands to find hydraulic leaks. ◆ Safely relieve all pressure in the hydraulic system by locking drive levers in neutral and shutting off engine before performing any work on the hydraulic system. 	

1.6 RIDING ATTACHMENTS

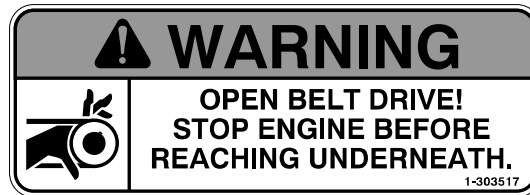
- 1.6.1 Use only **Exmark** riding attachments. The use of other than Exmark riding attachments may create a hazardous condition resulting in injury.

1.7 SAFETY SIGNS

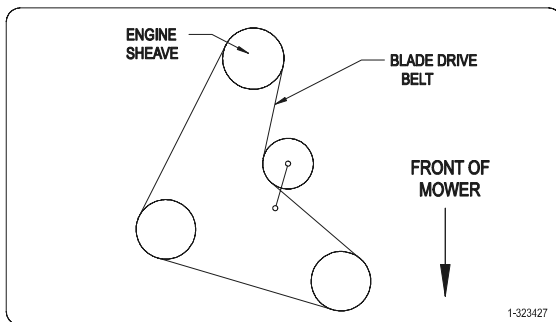
- 1.7.1 Keep all safety signs legible. Remove all grease, dirt and debris from safety signs and instructional labels.
- 1.7.2 Safety signs must be replaced if they are missing or illegible.
- 1.7.3 When new components are installed, be sure that current safety signs are affixed to the replaced components.
- 1.7.4 New safety signs may be obtained from your authorized Exmark equipment dealer or distributor or from Exmark Mfg. Co. Inc.
- 1.7.5 Safety signs may be affixed by peeling off the backing to expose the adhesive surface. Apply only to a clean, dry surface. Smooth to remove any air bubbles.
- 1.7.6 Familiarize yourself with the following safety signs and instruction labels. They are critical to the safe operation of your Exmark commercial mower.



PART NO. 1-303508
LOCATION: On Top Rear Right Hand Surface of Mower Deck



PART NO. 1-303517
LOCATION: Left Side of Rear Surface on Engine Deck



PART NO. 1-323427
LOCATION: 36" Deck



PART NO. 1-403005
LOCATION: Front Corners of Mower Deck
36" – RH Front Corner
48" – RH & LH Front Corners



PART NO. 1-403143
LOCATION: Right Side of Rear Surface on Engine Deck



PART NO. 1-413214
LOCATION: Right Side of Hydro Control Crank Arm



PART NO. 1-513746
 LOCATION: On Engine Blower
 Housing Next to Muffler



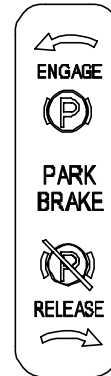
PART NO. 103-1798
 LOCATION: RH Side of
 Console



PART NO. 1-523552
 LOCATION: On Top of
 Hydraulic Tank



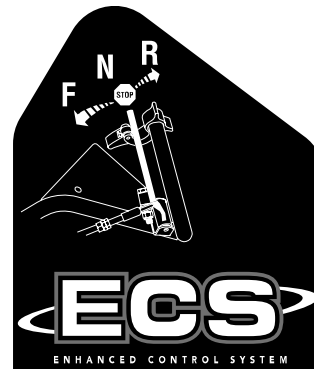
PART NO. 103-2196
 LOCATION: Console



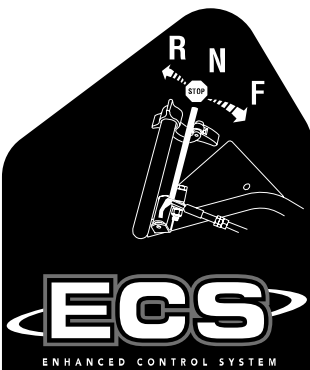
PART NO. 103-2103
 LOCATION: On Park
 Brake Lever



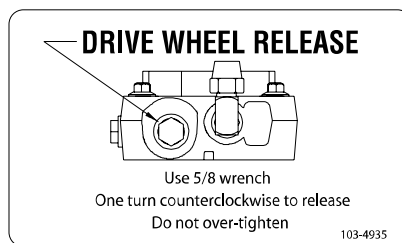
PART NO. 98-5954
 LOCATION: Under Mower
 Deck Belt Shield



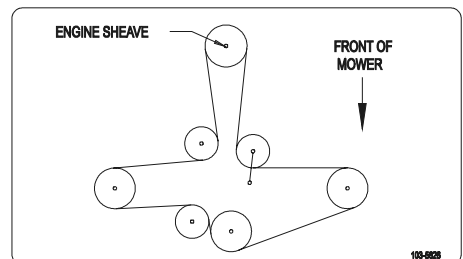
PART NO. 103-2242
 LOCATION: LH Side of Console



PART NO. 103-2243
 LOCATION: RH Side of Console



PART NO. 103-4935
 LOCATION: Rear Center of
 Top Surface of
 Engine Deck



PART NO. 103-5626
 LOCATION: 48" Deck

2. SPECIFICATIONS

2.1 MODEL NUMBER:

Serial Nos. **670,000 & Higher:** VH15KA362; VH15KA483

2.2 ENGINE

2.2.1 Engine Specifications: See your Engine Owner's Manual.

2.2.2 3600 RPM (No Load).

2.3 FUEL SYSTEM

2.3.1 Capacity: 5.0 gal. (18.9 L.)

2.3.2 Type of Fuel: Regular **unleaded** gasoline, 87 octane or higher. In countries using the research method, it should be a 90 octane *minimum*.

2.3.3 Fuel Filter: Replaceable in-line

2.3.4 Fuel Shut-Off Valve: 1/4 turn

2.4 SAFETY INTERLOCK SYSTEM

Operator must have speed control lever in neutral and PTO disengaged to start engine. Release of OPC levers will cause the engine to stop if *speed control lever is not in neutral and/or PTO is engaged*.

2.5 STEERING/BRAKE CONTROL

Fingertip drive control levers provide independent speed control, braking and neutral to each drive wheel for moving forward or reverse, stopping and power turning.

2.6 TRANSMISSION

Twin Hydrostatic Drive

2.6.1 Two Hydro Gear variable displacement pumps independently coupled to two high efficiency Parker/Ross wheel drive motors.

2.6.2 Hydraulic Filter is replaceable cartridge type.

P/N 109-4180: 25 microns, 10 psi bypass (Summer use above 32° F (0° C))

P/N 1-523541: 40 microns, 18 psi bypass (Winter use below 32° F (0° C))

2.6.3 Speed Range: Forward 0 - 6.2 mph (10.0 km/h)

Reverse 0 - 2.2 mph (3.5 km/h)

2.7 WHEEL DRIVE SYSTEM

Drive wheels are direct coupled to Parker/Ross wheel drive motors with 1.0" (25.4 mm) tapered shaft.

2.8 TIRES

	Drive		Front Caster
	36" Deck	48" Decks	All decks
	Pneumatic (Air-Filled)	Pneumatic (Air-Filled)	Semi-Pneumatic
Size	16 x 6.50-8	16 x 7.50-8	9 x 3.50-4
Quantity	2	2	2
Tread	Turf Master	Turf Master	Smooth
Ply Rating	4	4	
Pressure	14 psi (97 kPa)	14 psi (97 kPa)	

2.9 DECK

2.9.1 Cutting Width:	36"	48"
	35.38 in. (89.9 cm)	47.24 in. (120.0 cm)

2.9.2 Discharge: Right Side

2.9.3 Blade Size:	36"	48"	
	Length	18.00 in. (45.7 cm)	16.25 in. (41.3 cm)
	Qty	2	3

2.9.4 Type of Drive: Manual engagement of belt with over-center lock. Belt tension is adjustable via turnbuckle.

2.9.5 Blade Brake: When the PTO engagement control is move to the disengaged position a friction brake pad stops the rotation of the blades.

2.9.6 Deck Mounting: Bolted directly to the engine deck.

2.9.7 Cutting Height: Adjusts in 1/4" (.63 cm) increments from 1" (2.5 cm) to 4 1/4" (10.8 cm).

2.10 DIMENSIONS

2.10.1 Overall Width:	36"	48"	
	Discharge chute down	47.0" (119.4 cm)	57.9" (147.1 cm)
	Discharge chute up (Transport only)	36.4" (92.5 cm)	48.1" (122.2 cm)

2.10.2 Overall Length:	36"	48"
	77.3" (196.3 cm)	72.3" (183.6 cm)

2.10.3 Curb Weight:	36"	48"
	498 lbs. (226 kg)	551 lbs. (250 kg)

2.10.4 Overall Height:	36"	48"
	43.2" (109.7 cm)	43.2" (109.7 cm)

2.10.5 Tread Width: (to outside of tires)	36"	48"
	35.6" (90.4 cm)	40.4" (102.6 cm)

2.11 TORQUE REQUIREMENTS

<u>BOLT LOCATION</u>	<u>TORQUE</u>
Blade/Cutter Housing Spindle Bolt	75-85 ft-lbs. (102-115 N-m)
Caster Bracket Mounts.....	30-35 ft-lbs. (41-47 N-m)
Cutter Deck/Engine Deck Mount	30-35 ft-lbs. (41-47 N-m)
Engine Mounting Bolts	15-20 ft-lbs. (20-27 N-m)
Wheel Lug Nuts	90-95 ft-lbs. (122-129 N-m)
Wheel Hub Slotted Nut.....	minimum 100 ft-lbs (136 N-m)

3. OPERATION INSTRUCTIONS

3.1 CONTROLS

3.1.1 Familiarize yourself with the controls and operation of the unit.

Carefully read the following information about the controls and their operation.

3.1.2 Operator Presence Control (OPC) Levers: Located on the upper handle assembly directly above the handle grips (See Figure 1). **When these levers are depressed, the OPC system senses that the operator is in the normal operator's position. When the levers are released, the OPC system senses that the operator has moved from the normal operating position and will kill the engine if either the speed control lever is *not in the neutral* position or the *PTO is engaged*.**

- 3.1.3 **Speed Control Lever:** Located in middle of control console, it controls the maximum forward speed and is infinitely variable from neutral (0 mph) to 6.2 mph. Park brake must be disengaged before speed control lever is moved out of neutral or engine will kill.
- 3.1.4 **Drive Levers:** Located on each side of the upper handle assembly directly below the handle grips (See Figure 1). These levers individually control the speed and direction of each drive wheel. When the speed control lever is moved out of the neutral position and the neutral lock latches are moved into the drive position, as shown in Figure 2, and the drive levers are released, the drive wheels are engaged in the forward direction.
- Squeezing the left hand and/or right hand lever causes the left hand and/or right hand drive wheel respectively to slow down, stop, or reverse, depending on how far each drive lever is "squeezed". Squeezing the drive levers beyond the neutral position causes the drive wheels to engage in the reverse direction regardless of the position of the neutral lock latches and the speed control lever.
- 3.1.5 **Neutral Lock Latch:** Located at the end of the handles. The purpose of these latches is to allow the operator to lock the drive levers in a "neutral" position where neither of the drive wheels are engaged in either a forward or reverse direction. (See Figure 1).

Apply parking brakes whenever leaving the operators position.

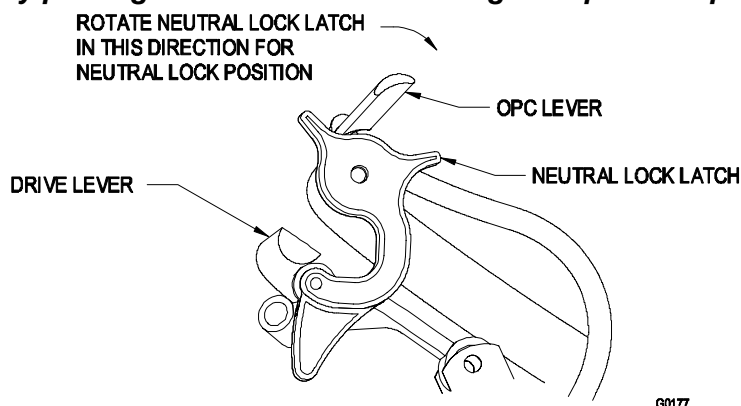


FIGURE 1

- 3.1.6 **PTO Engagement:** The "push/pull" PTO knob is located on the left side of the control console. To engage the blades, the knob must be pulled toward the operator until the turnbuckle (attached to the blade engagement idler) locks over-center. To disengage the blades, push the knob down until the assist arm contacts the pin on the deck.
- Park brake must be disengaged before PTO is engaged or engine will kill.
- 3.1.7 **Throttle Control:** The throttle is located on the control console right side. The throttle is used to control engine speed. Moving the throttle control forward will increase engine speed and moving it to the rear will decrease engine speed. Moving the throttle forward into the detent is full position.
- 3.1.8 **Choke Control:** Choke aids in starting a cold engine.
- The choke control is located on the front left corner of the fuel tank support and is activated by pulling the control outward.
- Once the engine has started, move the choke control to the off position and move the throttle to the medium of full throttle position.
- 3.1.9 **"Off-Run" Switch:** Located on the console. Turn key to the "Run" position to allow the engine to be started. Turn key to the "Off" position to shut engine off.
- 3.1.10 **Park Brake Lever:** Located on the right side of the unit above the hydraulic tank. The brake lever engages the park brake on the drive wheels.

Pull the lever **up** and **rearward** to engage the brake.

Push the lever **forward** and **down** to disengage the brake.

When parking on a steep slope, the wheels must be chocked or blocked in addition to the brake being engaged. The unit must be tied down and brake engaged when transporting.

Park brake must be disengaged before the speed control lever is moved out of neutral or PTO is engaged or engine will kill.

- 3.1.11 Fuel Shut-Off Valve: Installed in the fuel line midway between the tank and engine. The fuel shut-off valve is used to shut off the flow of fuel when parking inside a building, during transportation to and from the job sites, and when the machine will not be used for a few days.

Rotate valve 1/4 turn clockwise to shut fuel off.

Rotate valve 1/4 turn counter-clockwise to turn fuel on.

- 3.1.12 Drive Wheel Release Valves: Located on the top rear corner of the hydrostatic pumps. Drive wheel release valves are used to release the hydro-static drive system to allow the machine to be moved by hand without the engine running. With a 5/8" wrench, turn valves one turn counterclockwise to release the drive system.

Turn clockwise to reset the drive system. **Do Not over-tighten.**

- 3.1.13 Cold Start Kit: Located on the right hand side of engine deck, below and slightly ahead of the hydro control shield. The cold start kit is used to ease the starting of the unit in cold weather or when the unit has not been operated for a period of time. The cold start kit moves the idler pulley away from the pump belt, releasing the tension on the belt which allows the engine to turn over with less resistance. See Section 3.3.2.

- 3.1.14 Tracking Adjustment Knob: Located on the right-hand side of the rear of the fuel tank support. Can be adjusted so that machine will "track" straight ahead with drive levers released.

3.2 PRE-START

- 3.2.1 Fill fuel tank. For best results use only clean fresh regular grade **unleaded** gasoline with an octane rating of 87 or higher. Regular grade leaded gasoline may also be used; however, combustion chamber and cylinder head will require more frequent service. See Engine Owner's Manual.

Do not add oil to gasoline.

Do not overfill fuel tank. Never fill the fuel tank so that the fuel level rises above a level that is 1/2" (1.3 cm) below the bottom of the filler neck to allow for fuel expansion and prevent fuel spillage.

- 3.2.2 Refer to Maintenance and Adjustment Section 4.1 and perform all of the necessary inspection and maintenance steps.

- 3.2.3 Make sure you understand the controls, their locations, their functions, and their safety requirements.

3.3 OPERATING INSTRUCTIONS

- 3.3.1 Read the Engine Owner's Manual carefully for detailed operating instructions and maintenance regarding the engine.

Before attempting to operated the unit, refer to Section 1 (Safety) and follow all safety, operating, and preparation guidelines as stated in that section.

- 3.3.2 Starting Engine: Operator must have **PTO disengaged** and **speed control lever in neutral**.

Lock drive levers in neutral and engage park brake.

Open fuel shut-off valve.

NOTE: A cold weather starting kit has been added for ease of starting in either cold weather or when the unit has not been run for a period of time.

To use cold start kit:

- a) Pull split ring straight out the side of the unit, and hook the ring over the lower front hydro control shield bolt.
- b) Start engine. Refer to the following guidelines for further starting suggestions.

To engage pump drive (disengage cold start kit):

- a) Pull chain straight out from the side of the unit until the split ring can be removed from the bolt.

SLOWLY release tension on chain.

Pull out the choke control. Place the throttle control midway between the “Slow” and “Fast” positions. Turn the key switch to the “Run” position.

Pull recoil rope to start engine. After engine warms up, gradually push in the choke control. **DO NOT** run warm engine with the choke in the “ON” position.

NOTE: Kawasaki engines generally need to be “choked” even when warm.

- 3.3.3 Stopping Engine: Lock the drive levers in neutral, disengage PTO, position speed control lever in neutral, and engage the park brake. Move throttle control **midway** between the “slow” and “fast” positions. Allow the engine to run a minimum of 15 seconds.

Turn the key to the “Off” position.

Close the fuel shut off valve if machine will **not** be used for a few days; when parking inside a building; or when transporting the unit.

- 3.3.4 Drive Lever/Neutral Lock Latch Operation:

To lock the drive levers in “**neutral lock**”, squeeze the drive levers to the “neutral” position See Figure 2 (a). (Do Not squeeze at the drive levers all the way back as this will cause the drive wheels to go into the full reverse direction). Place thumbs on the inner thumb lobe of the neutral lock latches and rotate them to the “neutral lock” position. See Figure 2 (b). Release the drive levers.

 CAUTION 	
POTENTIAL HAZARD	
◆	If the neutral lock/park brake latches are not completely engaged the drive levers could unexpectedly slip into the forward drive position.
WHAT CAN HAPPEN	
◆	If the drive levers slip into the drive position, the unit could lurch forward and cause injury or property damage.
HOW TO AVOID THE HAZARD	
◆	Be sure the pins protruding through the slots of each neutral lock latch are completely engaged in the rear slot of each latch.

To place the drive levers in the “**forward**” position, slightly squeeze the drive levers while placing thumbs on the outer thumb lobe of the neutral lock latches

(or the index finger on the front lobe) and rotate them from under the drive levers. **Slowly** and **carefully** release the drive levers. See Figure 2 (d).

To place the drive levers in the “reverse” position, squeeze the drive levers past the neutral position. See Figure 2 (c).

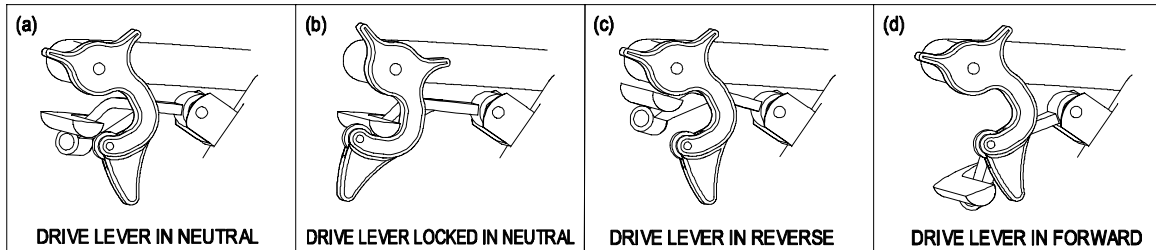


FIGURE 2

3.3.5 **Drive Wheel Engagement and Turning:** With drive levers locked in the “neutral” position, shift speed control lever into desired forward speed.

Note: The park brake must be disengaged before the speed control lever is moved out of neutral or the engine will kill.

Slowly squeeze and hold both drive levers in the neutral position and move both neutral lock latches from the neutral lock position. **Do Not** squeeze both drive levers all the way back, this will cause the drive wheels to be engaged in the reverse direction.

For straight ahead motion: Smoothly release both drive levers to engage drive wheels.

For turning: Squeeze the right hand drive lever to turn right and the left hand drive lever to turn left.



To make a “zero turn”, squeeze either the left hand or the right hand drive lever back into the reverse position while the opposite drive lever is in a forward position at an equal but opposite speed.



For reverse: Squeeze both drive levers into the reverse position. See Figure 2 (c).

For smooth operation of this machine, avoid quick, jerky movements of the drive levers. Move the drive levers smoothly and deliberately.

3.3.6 **To Stop:** Squeeze drive levers back to the “neutral” position. See Figure 2 (a) Move neutral lock latches into the “neutral lock” position. See Figure 2 (b) and release drive levers. Move the speed control lever to the neutral position.

3.3.7 **PTO Engagement:**

	DANGER	
POTENTIAL HAZARD		
<ul style="list-style-type: none"> ◆ The rotating blades under the mower deck are dangerous. 		
WHAT CAN HAPPEN		
<ul style="list-style-type: none"> ◆ Blade contact can cause serious injury or kill you. 		
HOW TO AVOID THE HAZARD		
<ul style="list-style-type: none"> ◆ DO NOT put hands or feet under the mower or mower deck when the blades are engaged. 		



 DANGER 	
POTENTIAL HAZARD	
<ul style="list-style-type: none"> ◆ An uncovered discharge opening will allow objects to be thrown in an operator's or bystander's direction. Also, contact with the blade could occur. 	
WHAT CAN HAPPEN	
<ul style="list-style-type: none"> ◆ Thrown objects or blade contact can cause serious injury or death. 	
HOW TO AVOID THE HAZARD	
<ul style="list-style-type: none"> ◆ Never operate the mower with the discharge deflector raised, removed, or altered unless there is a grass collection system or mulch kit in place and working properly. 	

Be sure that all persons are clear of mower deck and discharge area before engaging the PTO. Set throttle to "midway" position. Pull the PTO engagement knob up to engage blades. Accelerate to full throttle to begin mowing (See Section 3.1.6).

Park brake must be disengaged before PTO is engaged or engine will kill.

3.3.8 PTO Disengagement: Push down on the PTO engagement knob to disengage the blades. (See Section 3.1.6)

3.4 TRANSPORTING



 WARNING 	
POTENTIAL HAZARD	
<ul style="list-style-type: none"> ◆ Loading the mower onto a trailer without strong enough or properly supported ramps could be dangerous. 	
WHAT CAN HAPPEN	
<ul style="list-style-type: none"> ◆ The ramps could collapse causing the unit to fall, which could cause injury. 	
HOW TO AVOID THE HAZARD	
<ul style="list-style-type: none"> ◆ Use proper ramps that are secured to the truck or trailer. ◆ Keep feet and legs out from under the unit when loading and unloading. ◆ If necessary, use assistance when loading. 	



Be sure fuel shut-off valve is closed.

Use a heavy duty trailer to transport the machine. Engage park brakes and block wheels. Securely fasten the machine to the trailer with straps, chains, cables, or ropes. Be sure that the trailer has all necessary lighting and marking as required by law and use a safety chain.

Do not rely solely on parking brake to hold machine on trailer.

4. MAINTENANCE & ADJUSTMENTS

 WARNING 	
POTENTIAL HAZARD	
◆ While maintenance or adjustments are being made, someone could start the engine.	
WHAT CAN HAPPEN	
◆ Accidental starting of the engine could seriously injure you or other bystanders.	
HOW TO AVOID THE HAZARD	
◆ Remove the key from the ignition switch and/or pull the wire(s) off the spark plug(s) before you do any maintenance. Also push the wire(s) aside so it does not accidentally contact the spark plug(s).	

 WARNING 	
POTENTIAL HAZARD	
◆ The engine can become very hot.	
WHAT CAN HAPPEN	
◆ Touching a hot engine can cause severe burns.	
HOW TO AVOID THE HAZARD	
◆ Allow the engine to cool completely before service or making repairs around the engine area.	

4.1 PERIODIC MAINTENANCE

4.1.1 Check engine oil level:

Service Interval: **See Engine Owner's Manual**

- a) Make sure engine is on a level surface. Stop engine and wait for all moving parts to stop.
- b) Check with engine cool.
- c) Clean area around dipstick. Remove dipstick and wipe oil off. Reinsert the dipstick (**DO NOT** screw into place). Remove dipstick and check oil level.
- d) If the oil level is low, add oil as specified in the Engine Owner's Manual to bring the oil level up to the "Full" mark on the dipstick.

DO NOT OVERFILL.

IMPORTANT: DO NOT operate the engine with oil level below the "LOW" (or "ADD") mark or over the "FULL" mark.

4.1.2 Clean engine air cooling system:



Service Interval: **See Engine Owner's Manual**

- a) Stop engine and wait for all moving parts to stop. Engage parking brake. Remove key or spark plug wire(s).

- b) Clean all debris from engine air intake screen and from around engine shrouding.

4.1.3 Clean grass build-up under deck and check mower blades:

Service Interval: **Daily**

 CAUTION 	
POTENTIAL HAZARD	
◆ Raising the mower deck for service or maintenance relying solely on mechanical or hydraulic jacks could be dangerous.	
WHAT CAN HAPPEN	
◆ The mechanical or hydraulic jacks may not be enough support or may malfunction allowing the unit to fall, which could cause injury.	
HOW TO AVOID THE HAZARD	
◆ DO NOT rely solely on mechanical or hydraulic jacks for support. Use adequate jack stands or equivalent support.	

- a) Disengage PTO.
- b) Stop engine and wait for all moving parts to stop. Engage parking brake. Remove key or spark plug wire(s).
- c) Raise deck and block up using proper safety precautions.
- d) Clean out any grass build-up from underside of deck and in deck discharge chute.
- e) Inspect blades and sharpen or replace as required.
- f) If blade removal is necessary, be careful for the sharp cutting edges of the blades.
- g) Re-install the blades (if they were removed) and torque blade bolts to 75-85 ft. lbs. (102-115 N-m). Be sure the spring disk washer cone is installed toward the bolt head (See Figure 3).
- h) Remove jack stands (or equivalent support) and lower deck to ground.

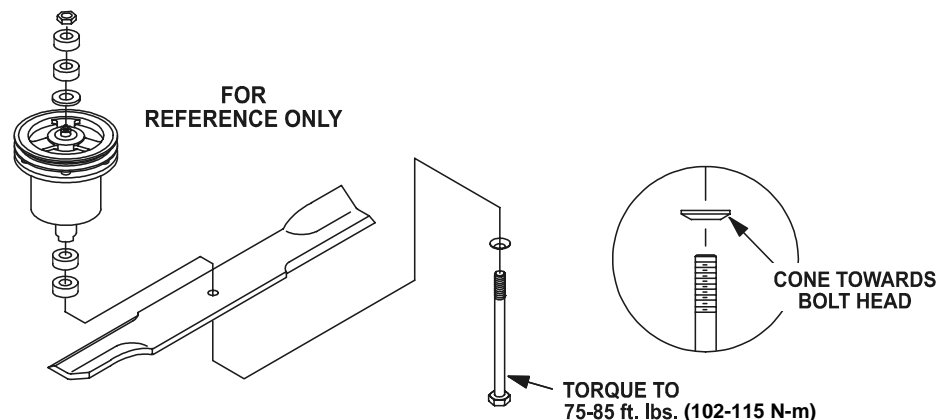


FIGURE 3

4.1.4 Check safety interlock system:

Service Interval: **Daily**

- a) For your safety, your Exmark mower is equipped with Operator Presence Controls (OPC). When either the PTO is engaged, or the speed control lever is not in neutral and both hands are removed from the handles, the mower engine **MUST stop**.
- b) Check OPC circuits. Clear the area. Disengage the park brake. Run engine at one-third throttle, then with drive levers and neutral lock latches in **neutral lock position**, move the speed control lever out of neutral and release OPC levers - **engine MUST stop**.

Again, run engine at one-third throttle, move the speed control lever to **neutral**, engage PTO and release OPC levers - **engine MUST stop**.

Note: Park brake must be disengaged before the speed control lever is moved out of neutral or PTO is engaged or engine will kill.

- c) If machine does not pass any of these tests, **DO NOT** operate. Contact your authorized **EXMARK SERVICE DEALER**.

IMPORTANT: It is essential that all Operator Safety Mechanisms be connected and in proper operating condition prior to the use of the mower.

4.1.5 Check for loose hardware:

Service Interval: **Daily**

- a) Stop engine and wait for all moving parts to stop. Engage parking brake. Remove key or spark plug wire(s).
- b) Visually inspect machine for any loose hardware or any other possible problem. Tighten hardware or correct the problem before operating.

4.1.6 Service pre-cleaner element and air cleaner.

Service Interval: **See Engine Owner's Manual**

- a) Stop engine and wait for all moving parts to stop. Engage parking brake. Remove key or spark plug wire(s).
- b) See engine owners manual for cleaning instructions.

4.1.7 Change engine oil:

Service Interval: **See Engine Owner's Manual**

NOTE: Change oil after first five (5) hours of operation. Follow engine manufacturers recommendations for future oil changes.

- a) Disengage PTO.
- b) Stop engine and wait for all moving parts to stop. Engage parking brake. Remove key or spark plug wire(s).
- c) Drain oil while engine is warm from operation.
- d) The oil drain hose assembly is located on the left side of the engine. Place pan under machine to catch oil. Remove oil drain plug. Allow oil to drain and replace oil drain plug. Torque plug to 20-24 ft-lbs.
- e) Replace the oil filter as per Engine Owner's Manual. Clean around oil filter and unscrew filter to remove. Before reinstalling new filter, apply a thin coating of oil on the surface of the rubber seal. Turn filter clockwise until rubber seal contacts the filter adapter then tighten filter an additional 2/3 to 3/4 turn.
- f) Clean around oil fill cap and remove cap. Fill to the specified capacity and replace cap. Use oil as specified in Engine Owners Manual. **Do not overfill.**
- g) Start the engine and check for leaks. Stop engine and recheck oil levels.

4.1.8 Check hydraulic oil level:

Service Interval: **40 hr.**

- a) Stop engine and wait for all moving parts to stop.
- b) Clean area around hydraulic reservoir cap and remove cap. Oil level should be to the top of the baffle inside the tank. If not, add oil. **Use only Mobil 1 15W-50 synthetic motor oil.** Replace hydraulic reservoir cap and tighten until snug. **Do not overtighten.**

NOTE: The baffle is labeled "HOT" and "COLD". The oil level varies with the temperature of the oil. The "HOT" level shows the level of oil when it is at 225° F. (107°C). The "COLD" level shows the level of the oil when it is a 75°F (24°C). Fill to the appropriate level depending upon the temperature of the oil. For example: If the oil is about 150°F (65°), fill to halfway between the "HOT" and "COLD" levels. If the oil is at room temperature (about 75°F (24°C)), fill only to the "COLD" level.

4.1.9 Change hydraulic system filter:

Service Interval: **After First 250 hrs, then yearly thereafter.**

Note: Use Exmark Part No. 109-4180 for Summer use above 32° F (0° C) and use Part No. 1-523541 for Winter use below 32° F (0° C). (Refer to 2.6.2 for Filter Specifications.)

- a) Place unit on a level surface. Stop engine and wait for all moving parts to stop. Engage parking brake. Remove key or spark plug wire(s).
- b) Carefully clean area around filter. It is important that no dirt or contamination enters the hydraulic system.
- c) Unscrew filter to remove and allow oil to drain from reservoir.

IMPORTANT: Before re-installing new filter, fill it completely with Mobil 1 15W-50 and apply a thin coat of oil on the surface of the rubber seal. Turn filter clockwise until rubber seal contacts the filter adapter. Do not tighten yet.

- d) Fill reservoir as stated in Section 4.1.8.
- e) Loosen filter 1/2 turn and allow a small amount of oil to leak from the oil filter (this allows air to be purged from the oil filter and supply hose from the hydraulic reservoir). Turn filter clockwise until rubber seal contacts the filter adapter. Then tighten the filter an additional 2/3 to 3/4 turn.
- f) Raise the rear of the machine up onto jack stands high enough to raise the drive wheels off of the ground. Run machine to allow any other air to be purged from the hydraulic system and recheck the oil level.
- g) If either drive wheel does not rotate, one or both of the charge pumps (located on the top of the main pump as shown in Figure 4) may have lost their "prime". Refer to Section 4.1.10.
- h) **DO NOT** change hydraulic system oil (*except what can be drained when changing filter*) unless it is felt that oil has been contaminated. **Changing oil unnecessarily could damage the hydraulic system by introducing contaminants into the system.**

4.1.10 Hydraulic system air purge procedure:

Air must be purged from the hydraulic system when any hydraulic components, including oil filter, are removed or any of the hydraulic lines are disconnected. The critical area for purging air from the hydraulic system is between the oil reservoir and each charge pump located on the top of each variable displacement pump. (See Figure 4).

Air in other parts of the hydraulic system will be purged through normal operation once the charge pump is "primed".

- a) Stop engine and wait for all moving parts to stop. Engage parking brake. Raise the rear of the machine up onto jack stands high enough to raise the drive wheels off the ground.
- b) Check oil level as stated in Section 4.1.8.
- c) Start engine and move throttle control ahead to full throttle position. Move the speed control lever to the middle speed position and place the drive levers into the “drive” position.

If either drive wheel does not rotate, it is possible to assist the purging of the charge pump by carefully rotating the tire in the forward direction.

NOTE: It is necessary to lightly touch the charge pump cap with your hand to check the pump temperature. If the cap is too hot to touch, turn off engine. The pumps may be damaged if the pump becomes too hot.

If either drive wheel still does not rotate continue with step (d).

- d) Thoroughly clean the area around each of the charge pump housings.

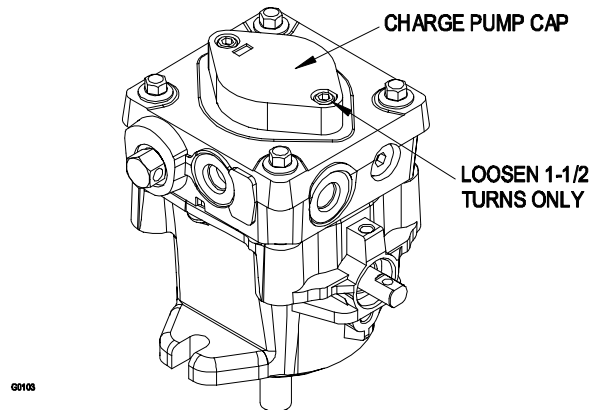


FIGURE 4

- e) To “prime” charge pump, loosen two hex socket head capscrews (shown in Figure 4) **1-1/2 turns only. Make sure engine is not running.** Lift charge pump housing upward and wait for a steady flow of oil to flow out from under housing. **Retighten capscrews.** Do this for both pumps. Note: Hydraulic reservoir can be pressurized to up to 5 psi (34 kPa) to speed this process.
- f) If either drive wheel still does not rotate, stop and repeat steps (d) through (e) above for the respective pump. If wheels rotate slowly, the system may prime after additional running. Check oil level as stated in Section 4.1.8.
- g) Allow unit to run several minutes after the charge pumps are “primed” with drive system in the full speed position. Check oil level as stated in Section 4.1.8.
- h) Check hydro drive linkage adjustment as stated in Section 4.2.9.

4.1.11 Check tire pressures:

Service Interval: **Pneumatic (air-filled) Drive Tires – 40 hrs.**
Semi-pneumatic Caster Tires – No Maintenance

- a) Stop engine and wait for all moving parts to stop. Engage parking brake. Remove key or spark plug wire(s). Check air pressure in drive tires; recommended tire pressure is: 12 to 14 psi (83-97 kPa).
- b) Inflate tires to pressures stated above. Measure circumference of each drive tire. Adjust tire pressures within the above range to try to make tire circumferences match as closely as possible.

4.1.12 Inspect Belt wear:

Service Interval: **40 hrs.**

- a) Stop engine and wait for all moving parts to stop. Engage parking brake. Remove key or spark plug wire(s).
- b) Remove mower deck belt shield to check mower blade drive belt condition.
- c) Look under engine deck to check the pump drive belt condition.
- d) Check all idler arms to be sure they pivot freely. Disassemble, clean and grease pivot bushings if necessary.

4.1.13 Lubrication:

Service Interval: **Refer to Chart.**

- a) Stop engine and wait for all moving parts to stop. Engage parking brake. Remove key or spark plug wire(s).
- b) Lubricate fittings with one to two pumps of NGLI grade no.2 multi-purpose gun grease.

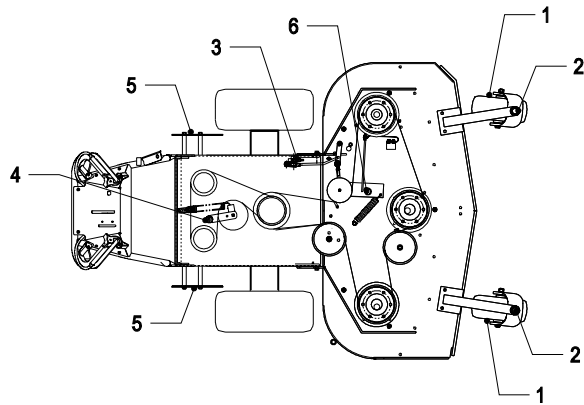
Refer to the following chart for fitting locations and lubrication schedule.

GREASE LUBRICATION CHART

FITTING LOCATIONS	INITIAL PUMPS	NO. of PLACES	SERVICE INTERVAL
1. Caster Wheel Bearings	12	2	Daily
2. Caster Pivots	2	2	Daily
3. PTO Engagement Bellcrank	1	1	Monthly
4. Pump Drive Idler Pivot	2	1	Weekly
5. Pump Control Bearings	2	2	Weekly
6. Mower Deck Idler Pivot	2	1	Weekly

No. 4 Idler Pivot (Pump Drive)
Located Under Engine Deck

No. 4 & 6 (Idler Pivots)
Disassemble and grease once a month under a "No Load" condition.



- c) Lubricate pivot points with a spray penetrating lubricant as directed below.

SPRAY LUBRICANT CHART

PIVOT POINT	NO. OF PLACES	SERVICE INTERVAL
1. PTO Engagement Upper Bellcrank	1	Weekly

4.1.14 Check spark plugs:

Service Interval: **See Engine Owners Manual**

- a) Stop engine and wait for all moving parts to stop. Engage parking brake. Remove key or spark plug wire(s).
- b) Remove spark plugs, check condition and adjust plug gap or replace with new plugs.

4.1.15 Remove engine shrouds and clean cooling fins:

Service Interval: **See Engine Owner's Manual**

- a) Stop engine and wait for all moving parts to stop. Engage parking brake. Remove key or spark plug wire(s).
- b) Remove cooling shrouds from engine and clean cooling fins. Also clean dust, dirt and oil from external surfaces of engine which can cause improper cooling.
- c) Make sure cooling shrouds are properly reinstalled. Operating the engine without cooling shrouds will cause engine damage due to overheating.

4.1.16 Change fuel filter:

Service Interval: **As Required**

- a) A fuel filter is installed in the fuel line between the fuel tank and the engine. Replace when necessary.

4.1.17 Refer to Engine Operators Manual for detailed maintenance regarding the engine.

4.1.18 Wheel hub - slotted nut torque specification.

When tightening the slotted nut on the wheel motor tapered shaft:

- a) Torque the slotted nut to 100 ft. lbs. (136 N-m).
- b) Further tighten the nut until the next set of slots line up with the cross hole in the shaft.
- c) Replace cotter pin.

Note: Do not use anti-seize compound on the wheel hub.

4.1.19 Thread locking adhesives such as "Loctite 242" or "Fel-Pro, Pro-Lock Nut-Type" are used on the following fasteners:

- a) Pump sheave setscrews.
- b) Square head setscrews on hydro pump control arms.
- c) OPC lever setscrews.
- d) Shoulder bolts in ends of speed control crank.
- e) Sheave retaining bolt in end of engine crankshaft.
- f) Fuel tank bulkhead fitting threads.

Adhesives such as "Loctite RC/609 or RC/680" or "Fel-Pro Pro-Lock Retaining I or Retaining II" are used on the following:

- a) OPC lever hubs and cross-shaft

NOTE: Care must be used not to bond the bearing, next to each OPC hub, to the cross shaft which could cause binding of the OPC levers and erratic operation.

- b) Fuel tank studs, where studs are inserted into tank.

4.1.20 An anti-seize compound is used on the following locations:

- a) Between the blade drive and pump drive sheaves and engine crankshaft.

4.1.21 Mobil HTS grease (or food-grade antisieze) is used in the following locations:

- a) Between the cutter housing spindle and bearings.
- b) Between the cutter housing spindle and sheave.
- c) Under top cutter housing bearing guard.

4.1.22 Dielectric grease is used on all blade type electrical connections to prevent corrosion and loss of contact.

4.2 ADJUSTMENTS

4.2.1 Adjusting cutting height with blade spacers:

Blades may be adjusted for cutting height by using the four 1/4" (.64 cm) spacers found on the blade spindle bolts (factory setting is two above and two below). This allows a 1" (2.5 cm) range in 1/4" (.64 cm) increments of cutting height in any axle position. The same number of blade spacers must be used on all blades to achieve a level cut (two above and two below, one above and three below, etc.).

For the best cut and discharge a minimum of two spacers should be placed between the blade and spindle shaft. The highest quality cut can be achieved with all four spacers between the blade and the spindle shaft.

If the mulching kit is installed, the highest quality cut can be obtained with 3 spacers between the blade and spindle (minimum is 1 for a good cut).



If you need to cut higher or lower than what the spacers will allow, it will be necessary to adjust the rear axle height and caster position. See Section 4.2.2 below.

4.2.2 Axle height and caster spacer position:

Desired cutting height range can be obtained by adjusting the rear axle and placing caster spacers above or below the caster arm (See Figure 5).

To adjust rear axle:

- a) Stop engine and wait for all moving parts to stop. Engage parking brake. Remove key or spark plug wire(s).
- b) Raise the rear of the machine up onto jack stands and remove the drive wheels.

 CAUTION 	
POTENTIAL HAZARD	
◆ Raising the mower deck for service or maintenance relying solely on mechanical or hydraulic jacks could be dangerous.	
WHAT CAN HAPPEN	
◆ The mechanical or hydraulic jacks may not be enough support or may malfunction allowing the unit to fall, which could cause injury.	
HOW TO AVOID THE HAZARD	
◆ DO NOT rely solely on mechanical or hydraulic jacks for support. Use adequate jack stands or equivalent support.	

- c) Loosen but do not remove the **top** two bolts on each hydraulic motor mounting bracket, (See Figure 5).
- d) Remove the bottom sets of hardware for each bracket.
- e) Reposition the mounting bracket to the desired height and reinstall the bottom hardware.
- f) Tighten all hardware and remount drive wheels.

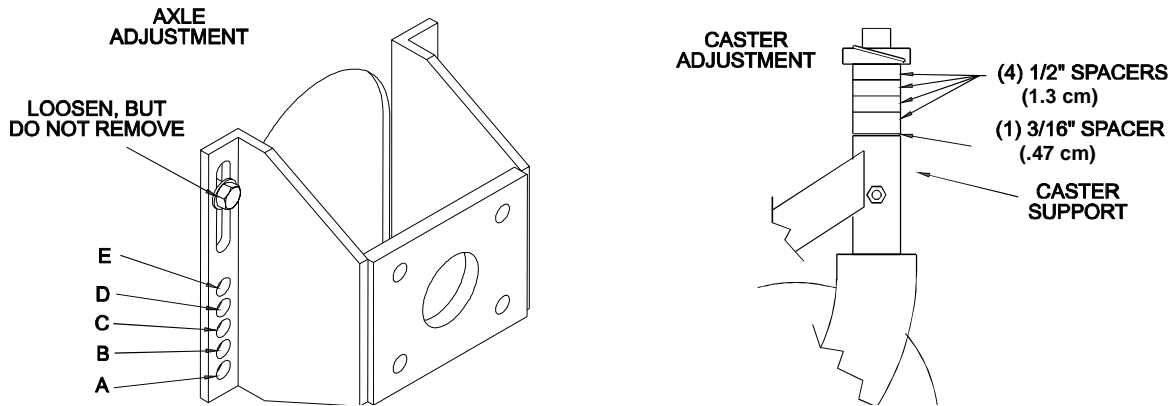


FIGURE 5

Refer to the following chart to properly adjust desired cutting height.

CUTTING HEIGHT ADJUSTMENT (1" (2.5 cm) to 4 1/4" (10.8 cm))

AXLE POSITION (FIG. 20)	# OF SPACERS BELOW CASTERS		NUMBER OF 1/4" (.64 cm) BLADE SPACERS BELOW SPINDLE				
	1/2" (1.2cm)	3/16" (.48cm)	4	3	2	1	0
A	0	0	1" (2.5 cm)	1 1/4" (3.2 cm)	1 1/2" (3.5 cm)	1 3/4" (4.4 cm)	2" (5.0 cm)
A	0	1	1 1/8" (2.9 cm)	1 3/8" (3.5 cm)	1 5/8" (4.1 cm)	1 7/8" (4.8 cm)	2 1/8" (5.4 cm)
A	1	0	1 3/8" (3.5 cm)	1 5/8" (4.1 cm)	1 7/8" (4.8 cm)	2 1/8" (5.4 cm)	2 3/8" (6.0 cm)
B	0	1	1 3/8" (3.5 cm)	1 5/8" (4.1 cm)	1 7/8" (4.8 cm)	2 1/8" (5.4 cm)	2 3/8" (6.0 cm)
B	1	0	1 5/8" (4.1 cm)	1 7/8" (4.8 cm)	2 1/8" (5.4 cm)	2 3/8" (6.0 cm)	2 5/8" (6.7 cm)
B	1	1	1 3/4" (4.4 cm)	2" (5.0 cm)	2 1/4" (5.7 cm)	2 1/2" (6.4 cm)	2 3/4" (7.0 cm)
B	2	0	2" (5.0 cm)	2 1/4" (5.7 cm)	2 1/2" (6.4 cm)	2 3/4" (7.0 cm)	3" (7.6 cm)
C	1	1	1 7/8" (4.8 cm)	2 1/8" (5.4 cm)	2 3/8" (6.0 cm)	2 5/8" (6.7 cm)	2 7/8" (7.3 cm)
C	2	0	2 1/8" (5.4 cm)	2 3/8" (6.0 cm)	2 5/8" (6.7 cm)	2 7/8" (7.3 cm)	3 1/8" (7.9 cm)
C	2	1	2 1/4" (5.7 cm)	2 1/2" (6.4 cm)	2 3/4" (7.0 cm)	3" (7.6 cm)	3 1/4" (8.3 cm)
C	3	0	2 1/2" (6.4 cm)	2 3/4" (7.0 cm)	3" (7.6 cm)	3 1/4" (8.3 cm)	3 1/2" (8.9 cm)
D	2	1	2 3/8" (6.0 cm)	2 5/8" (6.7 cm)	2 7/8" (7.3 cm)	3 1/8" (7.9 cm)	3 3/8" (8.6 cm)
D	3	0	2 1/2" (6.4 cm)	2 3/4" (7.0 cm)	3" (7.6 cm)	3 1/4" (8.3 cm)	3 1/2" (8.9 cm)
D	3	1	2 3/4" (7.0 cm)	3" (7.6 cm)	3 1/4" (8.3 cm)	3 1/2" (8.9 cm)	3 3/4" (9.5 cm)
D	4	0	3" (7.6 cm)	3 1/4" (8.3 cm)	3 1/2" (8.9 cm)	3 3/4" (9.5 cm)	4" (10.1 cm)
E	3	1	2 7/8" (7.3 cm)	3 1/8" (7.9 cm)	3 3/8" (8.6 cm)	3 5/8" (9.2 cm)	3 7/8" (9.8 cm)
E	4	0	3 1/8" (7.9 cm)	3 3/8" (8.6 cm)	3 5/8" (9.2 cm)	3 7/8" (9.8 cm)	4 1/8" (10.5cm)
E	4	1	3 1/4" (8.3 cm)	3 1/2" (8.9 cm)	3 3/4" (9.5 cm)	4" (10.1 cm)	4 1/4" (10.8cm)

IMPORTANT: To achieve the highest quality of cut, blades should be level with the ground, or tipped slightly down at the front.

4.2.3 PTO Engagement Linkage Adjustment: Located between the PTO engagement bellcrank and PTO engagement assist arm beneath the front, left hand corner of the engine deck.

- a) Stop engine and wait for all moving parts to stop. Engage parking brake. Remove key or spark plug wire(s).
- b) With PTO engaged (lever pulled up, adjust the linkage length to where the lower end of the bellcrank just clears the axle support gusset (See Figure 6). Make sure the assist arm is against the rear assist arm stop on the deck (See Figure 7). Push the lever down to the disengaged position. The assist arm should contact the front assist arm stop on the deck. If it does not contact, readjust so that the bellcrank is closer to the gusset.

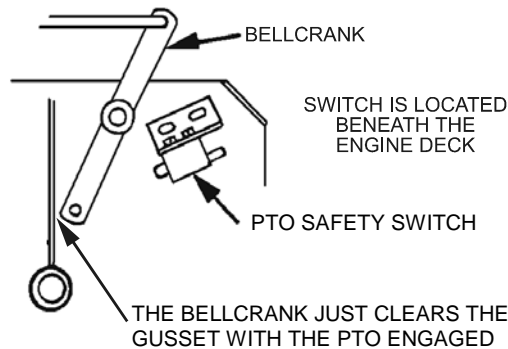


FIGURE 6

4.2.4 PTO Safety Switch Adjustment:

- a) Stop engine and wait for all moving parts to stop. Engage parking brake. Remove key or spark plug wire(s).
- b) With PTO disengaged and assist arm against the front assist arm stop, adjust the blade safety switch mounting bracket (if needed) until the bellcrank depresses the plunger by 1/4" (.64 cm).
- c) Be sure the bellcrank **DOES NOT** touch the switch body or damage to the switch could occur.
- d) Retighten switch mounting bracket.

4.2.5 Engine to Mower Deck Belt Adjustment:

- a) Stop engine and wait for all moving parts to stop. Engage parking brake. Remove key or spark plug wire(s).
- b) Engage PTO.
- c) Check belt guides under rear engine and front mower deck to see that they are properly set (See Section 4.2.7).
- d) Belt must be tight enough so it does not slip during heavy loads while cutting grass. Over-tensioning will reduce belt and spindle bearing life. To adjust belt tension, loosen the 5/16" whizlock nut on turnbuckle and rotate the turn buckle; rotate turnbuckle toward rear of mower to tighten, and toward front of mower to loosen belt tension (See Figure 7).

For 48" Decks: If there is no adjustment left in the turnbuckle and the belt is still loose, the rear idler pulley can be repositioned in the front hole (See Figure 7). The belt guide located next to the pulley must also be repositioned in the front hole when the pulley is moved. The turnbuckle will need to be readjusted.

Check belt tension after the first hour of operation and at least twice during the first 24 hours of operation. Adjust as necessary.

Note: After readjusting the belt tension check the belt guide adjustment Section 4.2.7 and blade brake adjustment Section 4.2.6.

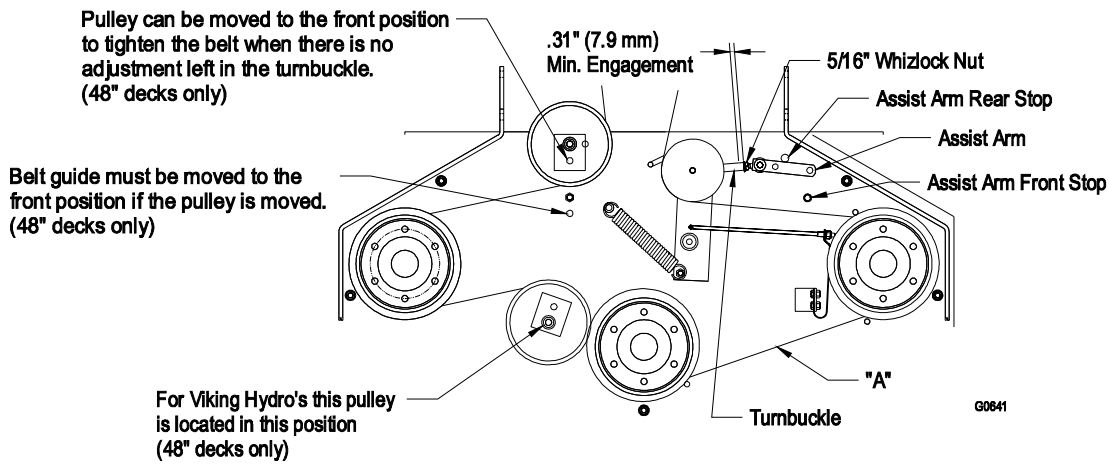


FIGURE 7

- e) Proper belt tension will require about 10 lbs. (44.5 Nt.) side pull on the belt, halfway between pulleys, to deflect belt 1/2" (1.3 cm). (See Figure 7, Point A).

4.2.6 Blade Brake Adjustment:

- a) Stop engine and wait for all moving parts to stop. Engage parking brake. Remove key or spark plug wire(s).
- b) Disengage PTO.
- c) Make sure the blade brake pad rests against the sheave. Adjust the spring mounting bolts to properly align the pad on the sheave. See Figure 8.
- d) Check the distance between the spacer and the nut at the end of the blade brake rod. The distance should be between 1/8" (.32 cm) and 3/16" (.47 cm). See Figure 8.
- e) Engage the PTO and check to make sure the blade brake pad clears the sheave.

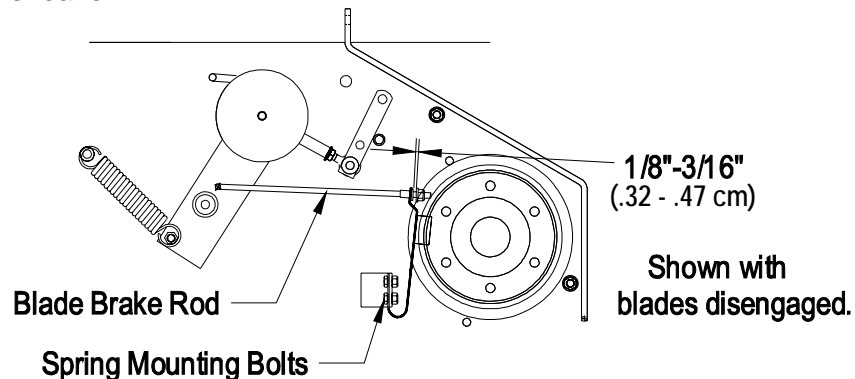
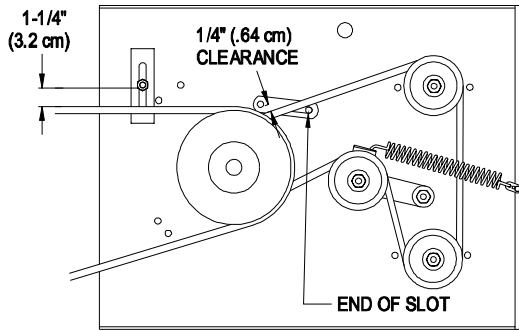


FIGURE 8

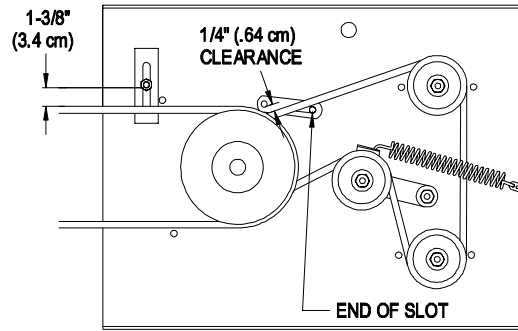
4.2.7 Belt Guide Adjustment:

- a) Stop engine and wait for all moving parts to stop. Engage parking brake. Remove key or spark plug wire(s).
- b) Engage the PTO.
- c) Check belt guides under the engine deck for proper adjustment (See Figures 9 and 10). Adjust as necessary.



Note: These drawings are viewed from underneath the engine deck

FIGURE 9
36" BELT GUIDE LOCATION



G0011

FIGURE 10
48" BELT GUIDE LOCATION

4.2.8 Pump Drive Belt Tension Adjustment:

No adjustment necessary.

4.2.9 Hydro Drive Linkage Adjustment:

a) Adjust Speed Control Linkage and neutral safety switch

1. Stop engine and wait for all moving parts to stop.
2. Move the speed control lever (located on the console) to the full forward position and check the orientation of the tabs on the ends of the speed control crank (Figure 11). These tabs should be pointing straight down at the 6 o'clock position or slightly forward. Adjust the threaded yoke at the bottom of the speed control linkage (See Figure 11) until the tabs are positioned correctly.
3. Pull the speed control lever back to neutral. Check that the neutral safety switch actuating tab has depressed the plunger of the switch so that there is about 5/16" (.79 cm) between the tab and the switch. See Figure 11. If necessary, move the switch fore and aft.

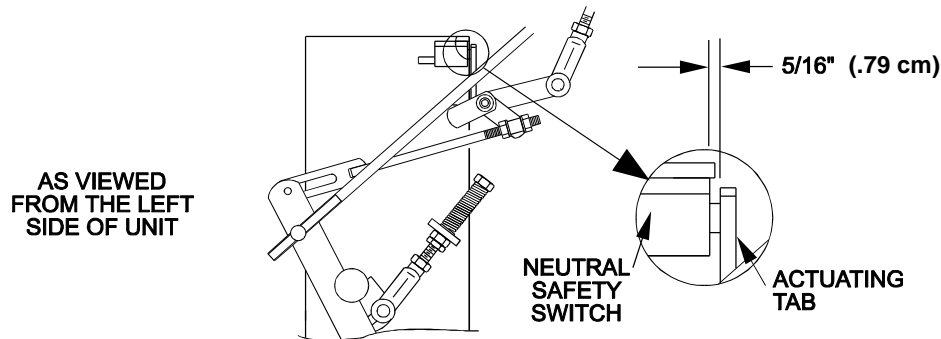


FIGURE 11

b) Adjust Neutral Control Linkages

1. Raise the rear of the machine up onto jack stands high enough to raise the drive wheels off of the ground.
2. Start the engine and move the throttle ahead to the full throttle position. Place the neutral lock latches in the "forward" position as shown in Figure 2. Release the park brake and move the speed control lever to the "mid-speed" position.

Note: The OPC levers must be held down and the park brake must be disengaged whenever the speed control lever is moved out of neutral or the engine will kill.

3. Squeeze the respective drive lever until an increased resistance is felt, this is where neutral should be.

If the wheel turns while holding the drive lever in neutral, the neutral control linkages need to be adjusted. If wheel stop then go to step 7.

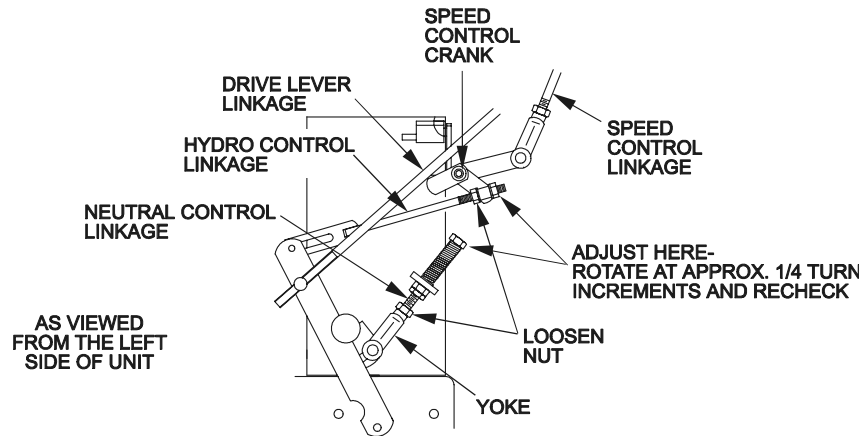


FIGURE 12

4. Loosen the nut against the neutral control linkage yoke as shown in Figure 12.
 5. Adjust the neutral control linkage until the respective drive wheel stops when the lever is pulled against the neutral spring (neutral position). Turn the adjusting bolt approximately 1/4 turn clockwise if the wheel is turning in reverse or turn the bolt approximately 1/4 turn counter-clockwise if the wheel is turning forward. Release the drive lever to the forward drive position and squeeze back into the neutral position. Check to see if the wheel stops. If not, repeat the above adjustment procedure.
 6. Make this adjustment on both sides.
 7. After adjustments are made and the wheels stop when the drive levers are in the neutral position, tighten the nuts against the yokes.
- c) Adjust Hydro Control Linkages:
1. Place the speed control lever in the “neutral” position. This adjustment is again made with rear of machine on jack stands and engine running at full throttle. OPC levers will have to be held down and the park brake must be disengaged whenever speed control levers are moved out of the neutral position.
 Note: The neutral lock latches should be “unlocked” and in the forward position
 2. Loosen the front nut on **left** hydro control linkage as shown in Figure 12. Turn the rear control linkage adjusting nut counter-clockwise until wheel rotates forward. Turn the rear nut of left control linkage clockwise 1/4 of a turn at a time, stopping to move the speed control forward and back to neutral, until left wheel stops rotating forward. Turn the rear nut an additional 1/2 turn and tighten the front nut making sure not to put a bind on the linkage. Make sure flat part of linkage is perpendicular to pin part of swivel. See Figure 13.

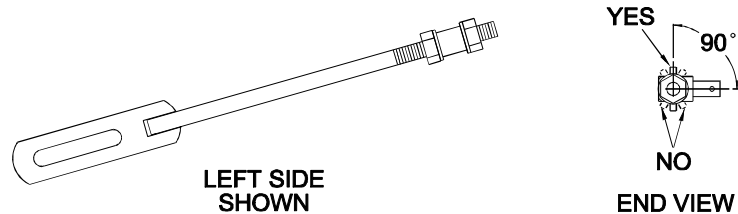


FIGURE 13

After adjusting the left hydro control linkage, move the speed control lever to the mid-speed position and then back to the neutral position. Recheck the left drive wheel rotation to see if further adjustment is necessary - be sure the speed control lever is in the neutral position.

If inconsistent neutral occurs, check to be sure both springs are properly tightened on the speed control lever under the console - especially the rear pivot spring.

Repeat above adjustments if necessary.

3. Place the speed control lever in neutral. Adjust the right side linkage by turning the quick track knob counter-clockwise until the tire begins to rotate forward. Begin to retighten the knob clockwise about 1/4 turn at a time, stopping to move the speed control forward and back to neutral. Recheck the drive wheel rotation to see if further adjustment is necessary.
 4. The spring that keeps tension on the knob should normally not need adjustment. However, if adjustment is needed, adjust to where length of spring is about 1" (2.5 cm) between the washers. Adjust spring length by turning nut at front of spring.
- d) Drive Lever Linkage Adjustment
1. With rear of machine still on jack stands and engine running at full throttle, disengage the park brake and move the speed control lever to the midway position. Move the respective drive lever upward until it reaches the **neutral** position and engage neutral lock latches. See Figure 14. If the tire rotates in either direction, the length of the drive lever link will need to be adjusted.
 2. Adjust the linkage length by loosening the jam nuts at both ends of the linkage and rotating the linkage in the ball joints. Lengthen the linkage if the tire is turning in reverse and shorten the linkage if the tire is creeping forward. Tighten the jam nuts at both ends. Release and re-engage the neutral lock latch checking that the tire stops. Continue this process until the tire is at a dead stop.

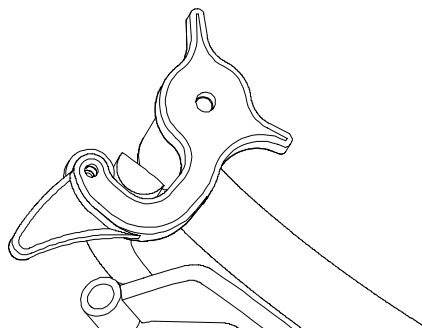


FIGURE 14

3. Make this adjustment for both sides.
- e) Tracking Adjustment
1. Stop engine and wait for all moving parts to stop. Engage parking brake. Raise the rear of the machine, remove jack stands and carefully lower the machine to the ground. (Check the drive tire pressure and tire circumference. See 4.1.11.)
 2. Run the unit and observe the tracking on a level, smooth, hard surface such as concrete or asphalt.
 3. If the unit tracks to one side or the other, turn the quick track knob. Turn the knob right to “steer” right; turn the knob left to “steer” left.

4.2.10 Hydro Pump Spring Tension Setting:

- a) For medium or heavy duty drive conditions such as operation with a sulky on steep slopes, a higher spring force may be required on the hydro pump control arms to prevent the drive system from stalling.
- b) For a heavier drive setting, relocate the spring anchor links to either the “medium” or “heavy duty” positions as shown in Figure 15. The spring anchor links are attached to the upper rear corner of the hydro drive shields on the left and right hand sides of the machine.

Note: In the “medium” or “heavy duty” positions, the drive lever forces at the upper handle will also be increased.

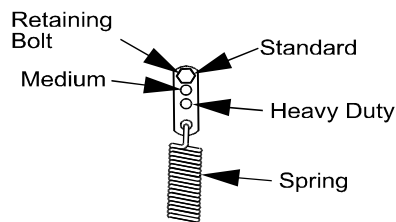


FIGURE 15

4.2.11 Park Brake Adjustment:

- a) Shut off engine and wait for all moving parts to stop.
- b) Disengage the park brake.
- c) Remove the hairpin in the lower park brake linkage. Turn the linkage in the yoke until there is 3/16" (.48 cm) to 1/4" (.64 cm) clearance between the park brake tire bars and the tires with the park brake disengaged. Re-install the hairpin.

5. WASTE DISPOSAL

5.1 MOTOR OIL DISPOSAL

Engine oil and hydraulic oil are both pollutants to the environment. Dispose of used oil at a certified recycling center or according to your state and local regulations.

6. TROUBLE SHOOTING

6.1 MOWER TRACKS TO LEFT OR RIGHT

- a) Check the drive tire pressures and circumferences. See 4.1.11.
- b) Turn knob on the right hydro control linkage in the direction in which the mower needs to be adjusted. Turn the knob in 1/4 turn increments until the mower tracks correctly.

6.2 MOWER CUTS UNEVENLY

- a) Check the drive tire pressures and circumferences. See 4.1.11. A more uniform cutting height may be obtained with higher tire pressure on rough terrain. A lower tire pressure provides more flotation.

- b) Check blade spacers on each blade, the axle positions on each side of the unit, and the spacers on each front caster wheel. They must be equal.
- c) Check caster mounting brackets to be sure all bolts are tight.
- d) Check blades tip to tip for straightness. (They should be within 3/16" (4.8 mm), or one blade width from being in line.)

6.3 BLADES DO NOT STOP WHEN DISENGAGED

- a) Check the blade brake adjustment. (See Section 4.2.6)
- b) Check the belt guide under rear deck to make sure they are properly set (See Section 4.2.7) and check the PTO engagement adjustment (See Section 4.2.3).

6.4 ENGINE WILL NOT START

- a) Check that the key switch is in the "Run" position.
- b) Check that the choke is in the "ON" position for a cold engine or in the "OFF" position for a warm engine. See 3.3.2.

NOTE: Kawasaki engines may need to be choked even when warm.

- c) Make sure speed control lever is in the "true neutral" position. (See 4.2.9).
- d) Check that the PTO is disengaged and the PTO switch is depressed.
- e) Check that there is fuel in the tank and that the fuel valve is open.
- f) Check that the spark plug wire(s) are properly connected.
- g) Check for loose or faulty wiring connections. If it is necessary to disconnect wire connectors, **Do Not** pull on the wires while disconnecting.
- h) Check for corrosion at all wiring connections. Even minor corrosion may cause a faulty connection. Clean connector terminals thoroughly with electrical contact cleaner, apply dielectric grease and reconnect.

IMPORTANT: It is essential that all operator safety mechanisms be connected and in proper operating condition prior to mower use.

NOTE: After carefully checking the above steps, attempt to start the engine. If it does not start, contact your authorized Exmark service dealer.

ENGINE TROUBLESHOOTING

When a problem occurs, do not overlook the simple causes. For example, starting problems could be caused by an empty fuel tank. The following table lists some of the common causes of trouble.

Do not attempt to service or replace major items or any items that call for special timing or adjustment procedures (such as valves, governor, etc.). Have this work done by your **Engine Service Dealer**.

ENGINE TROUBLESHOOTING TABLE

PROBLEM	NO FUEL	IMPROPER FUEL	DIRT IN FUEL LINE	DIRTY AIR FILTER	FAULTY SPARK PLUG	ENGINE OVERLOADED	BLOCKED FUEL FILTER	INCORRECT OIL LEVEL	DIRTY AIR SCREEN
Will not start	X		X	X	X	X	X		
Hard starting	X	X	X	X	X	X	X		
Stops suddenly	X		X	X		X	X	X	X
Lacks power		X	X	X	X	X	X	X	X
Operates erratically		X	X	X	X	X	X		X
Knocks or pings		X				X			X
Skips or misfires		X	X	X	X				X
Backfires			X	X	X	X			X
Overheats			X	X		X		X	X
High fuel consumption				X	X	X			X

7. MOWER DECK BELT ROUTING

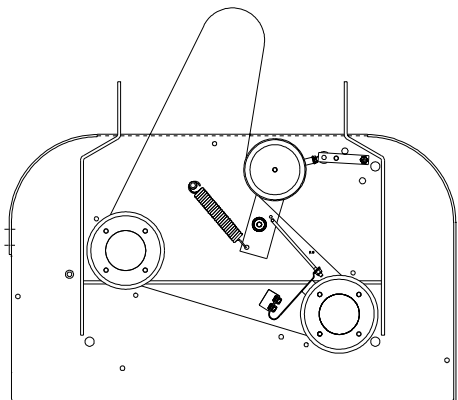
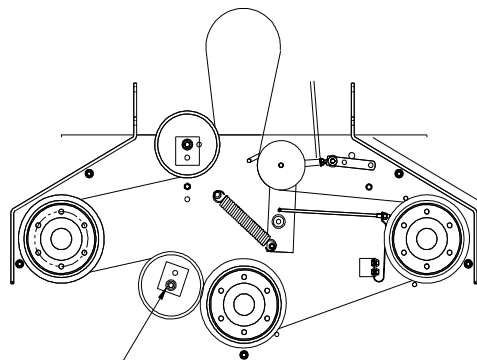


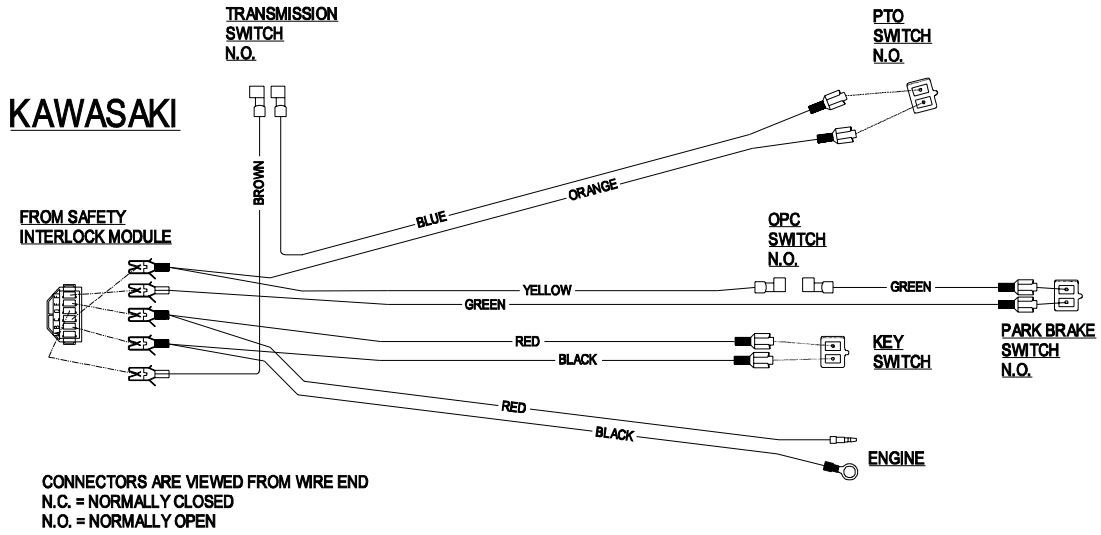
FIGURE 16
36" MOWER DECK



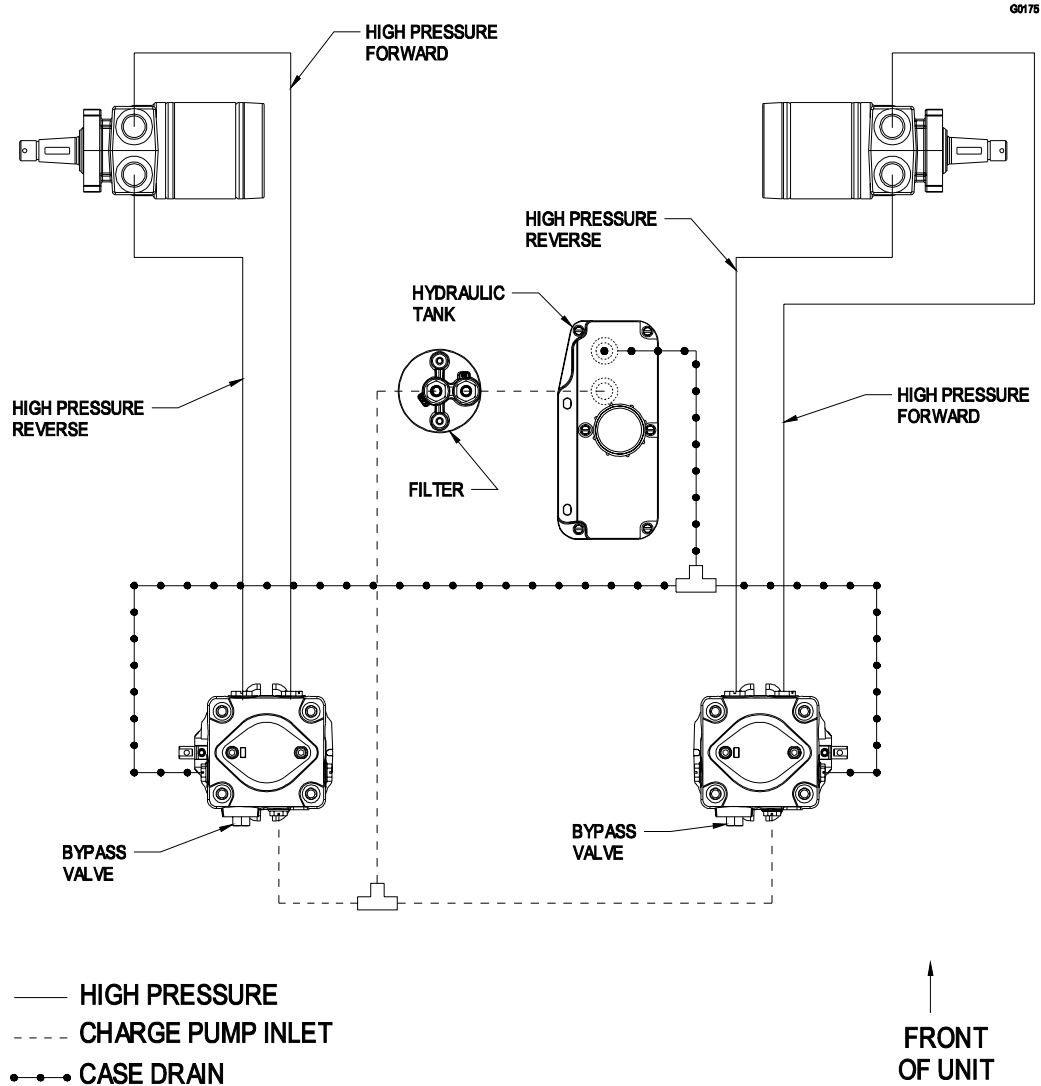
FOR VIKING HYDRO'S,
THIS PULLEY IS LOCATED
IN THIS POSITION

FIGURE 17
48" MOWER DECK

8. WIRING DIAGRAM



9. HYDRAULIC DIAGRAM



10.

2-Year Limited Warranty Exmark Turf Equipment

(For units purchased on or after October 1, 2004)

Conditions and Products Covered

Exmark Mfg. Co. Inc. and its affiliate, Exmark Warranty Company, pursuant to an agreement between them, jointly warrant on the terms and conditions herein, that we will repair, replace or adjust any part manufactured by Exmark and found by us (in the exercise of our reasonable discretion) to be defective in factory materials or workmanship for a period of two years.

This warranty applies to Exmark turf equipment purchased on or after October 1, 2004 sold in the US or Canada. This warranty may only be assigned or transferred to a second (or third) owner by an authorized Exmark dealer. The warranty period commences upon the date of the original retail purchase.

<u>Products</u>	<u>Warranty Period</u>
• All Products (except as noted below)	2 years
• All Attachments and Accessories	1 year
• Metro 21 Series	1 year
• Belts and Tires	90 days
• Battery	1 Year Prorated
• Engine*	Warranty is covered by engine manufacturer

*Please refer to the engine manufacturer's warranty statement that is included in the literature packet. We are not authorized to handle warranty adjustments on engines.

This warranty only includes the cost of parts and labor.

Items and Conditions Not Covered

This warranty does not cover the following:

- Pickup and delivery charges to and from any authorized Exmark Service Dealer.
- Any damage or deterioration due to normal use, wear and tear, or exposure.
- Cost of regular maintenance service or parts, such as filters, fuel, lubricants, tune-up parts, and adjustments.
- Any product or part which has been altered or misused or required replacement or repair due to normal wear, accidents, or lack of proper maintenance.
- Any repairs necessary due to use of parts, accessories or supplies, including gasoline, oil or lubricants, incompatible with the turf equipment or other than as recommended in the operator's manual or other operational instructions provided by Exmark.

All warranty work must be performed by an authorized Exmark Service Dealer using Exmark approved replacement parts.

Instructions for Obtaining Warranty Service

1. Contact any Exmark Service Dealer to arrange service at their dealership. To locate a dealer convenient to you, access our website at www.exmark.com. U.S. Customers may also call 402-223-6375.
2. Bring the product and your proof of purchase (sales receipt) to the Exmark Service Dealer.

If for any reason you are dissatisfied with the Service Dealer's analysis or with the assistance provided, contact us at:

Exmark Customer Service Department
The Exmark Warranty Company
2101 Ashland Avenue

Beatrice, NE 68310
402-223-6375 or
service@exmark.com

Owner's Responsibilities

The Exmark turf equipment, including any defective part, must be returned to an authorized Exmark service dealer within the warranty period. This warranty extends only to turf equipment operated under normal conditions. You must properly service and maintain your Exmark product as described in the operator's manual. Such routine maintenance, whether performed by a dealer or by you, is at your expense.

As a condition to this warranty, customer shall have read the operator's manual and shall have completed and submitted to Exmark Warranty Company, within the prescribed time, the Exmark warranty registration.

General Conditions

The sole liability of Exmark and Exmark Warranty Company with respect to this warranty shall be repair and replacement as set forth herein. **Neither Exmark nor Exmark Warranty Company shall have any liability for any other cost, loss or damage, including but not limited to, any incidental or consequential loss or damage.**

In particular, we shall have no liability or responsibility for:

- Expenses related to gasoline, oil or lubricants.
- Travel time, overtime, after hours time or other extraordinary repair charges or charge relating to repairs or replacements outside of normal business hours at the place of business of the authorized Exmark service dealer.
- Rental of like or similar replacement equipment during the period of any warranty, repair or replacement work.
- Any telephone or telegram charges or travel charges.
- Loss or damage to person or property other than that covered by the terms of this warranty.
- Any claims for lost revenue, lost profit or additional cost as a result of a claim of breach of warranty.
- Attorney's fees.

No Claim of breach of warranty shall be cause for cancellation or rescission of the contract of sale of any Exmark mower.

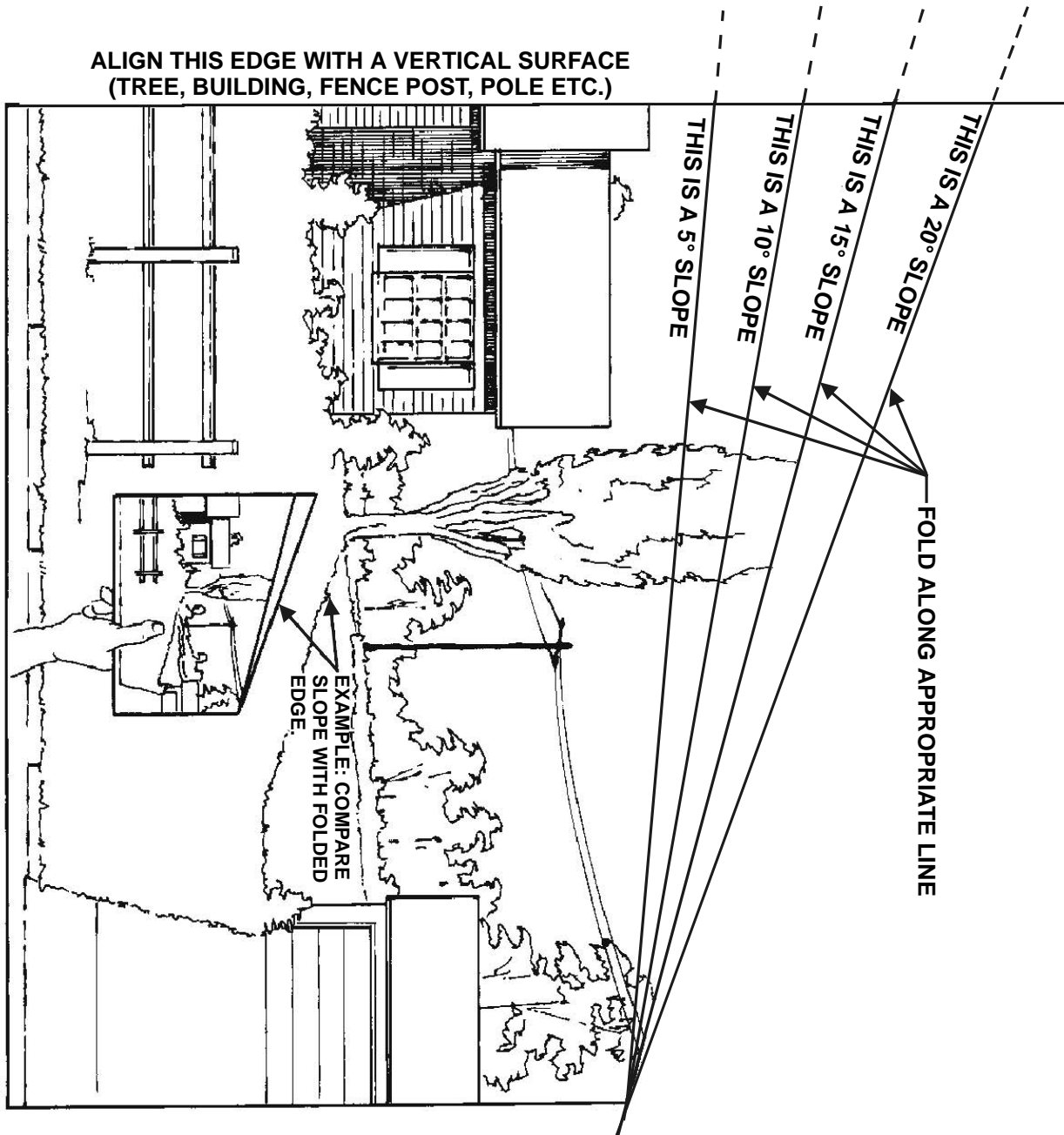
There are no understandings, agreements, representations, or warranties, express or implied, including but not limited to any regarding the merchantability (that product is fit for ordinary use) or fitness for use (that product is fit for a particular purpose), not specified herein, respecting the equipment which is the subject of this warranty.

Some states do not allow exclusions of incidental or consequential damages, or limitations on how long an implied warranty lasts, so the above exclusions and limitations may not apply to you.

This warranty gives you specific legal rights, and you may also have other rights which vary from state to state.

NOTES

ALIGN THIS EDGE WITH A VERTICAL SURFACE
(TREE, BUILDING, FENCE POST, POLE ETC.)



SEE EXMARK'S COMPLETE LINE OF ACCESSORIES

RIDING ACCESSORIES

CUSTOM RIDE SEAT SUSPENSION SYSTEM
DECK LIFT ASSIST KIT
HITCH KIT
LIGHT KIT
MICRO-MULCH SYSTEM
ROLL OVER PROTECTION SYSTEM (ROPS)
SNOW BLADE
SUN SHADE
TRASH CONTAINER
TURF STRIPER
ULTRA VAC COLLECTION SYSTEM
ULTRA VAC QUICK DISPOSAL SYSTEM

WALK BEHIND ACCESSORIES

GRASS CATCHER
MICRO-MULCH SYSTEM
STEERABLE SULKY
SULKY HITCH KIT
TURF STRIPER

Check us out on the Web:
www.exmark.com



WARNING



The engine exhaust from this product contains chemicals known to the State of California to cause cancer, birth defects, or other reproductive harm.

©1997- 2007
EXMARK MFG. CO. INC.
INDUSTRIAL PARK BOX 808
BEATRICE, NE 68310
ALL RIGHTS RESERVED

PART NO. 109-6455 Rev. A
(402) 223-6300
FAX (402) 223-5489
PRINTED IN U.S.A.



Free Manuals Download Website

<http://myh66.com>

<http://usermanuals.us>

<http://www.somanuals.com>

<http://www.4manuals.cc>

<http://www.manual-lib.com>

<http://www.404manual.com>

<http://www.luxmanual.com>

<http://aubethermostatmanual.com>

Golf course search by state

<http://golfingnear.com>

Email search by domain

<http://emailbydomain.com>

Auto manuals search

<http://auto.somanuals.com>

TV manuals search

<http://tv.somanuals.com>