



MTP R 15HD RSA D • Setup Guide

This guide provides basic instructions for an experienced installer to set up and operate the Extron MTP R 15HD RSA D receiver.


Pre-installation

The MTP R 15HD RSA D receiver can be installed in a one-gang electrical wall box with a Decora wall plate cover (supplied).

Choose a location that allows cable runs without interference. Allow enough depth for both the wall box and the cables. The box should be at least 2.5 inches (6.4 cm) deep to accommodate the connectors and cables. Install the cables into the wall, furniture, or conduits before installing the receiver.

The top image at right details the recommended termination of TP cables with RJ-45 connectors in accordance with the TIA/EIA T568A or TIA/EIA T568B wiring standards. You can use either standard with CAT 5/5e/6 cable, but ensure that you use the same standard on both ends of the cable.

IMPORTANT:
Go to www.extron.com for the complete user guide, installation instructions, and specifications before connecting the product to the power source.



Pin	T568A Wire color	T568B Wire color
1	White-green	White-orange
2	Green	Orange
3	White-orange	White-green
4	Blue	Blue
5	White-blue	White-blue
6	Orange	Green
7	White-brown	White-brown
8	Brown	Brown

NOTE: If you are using Enhanced Skew-Free™ AV cable, use the TIA/EIA T568A standard only.

Power Supply Wiring

Wire the power connector (see the image on the right). Verify the polarity before connection by plugging in the power supply with no load and checking the output with a voltmeter.

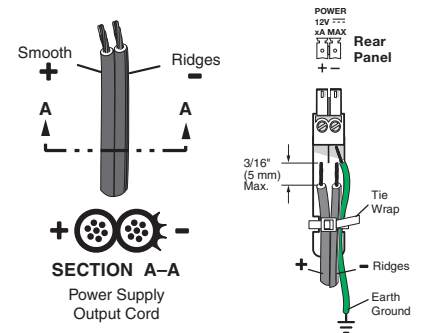
Grounding guidelines

Extron MTP 15HD RSA D products can be adversely affected by electrostatic discharge (ESD) if they are not grounded correctly.

To prevent malfunctions or product damage, an experienced installer can correctly ground an Extron MTP 15HD RSA D product grounding the power input port. Insert one end of the grounding wire to the negative or ground pin on the power input connector (see the image on the right). Tie the other end of the wire to an earth ground.

If you have any questions about how to ground a product in a specific application, contact an Extron technical support specialist.

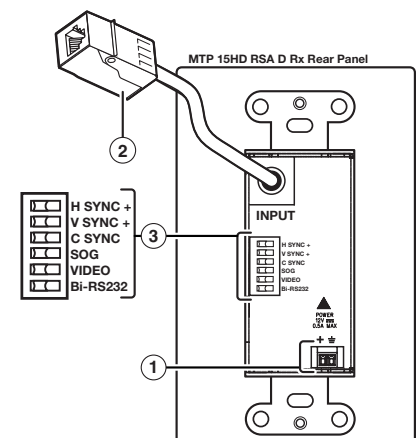
For more information and warnings, see “Power supply wiring” in the *MTP R 15HD RSA D User’s Manual*.



Installation

Connect/Configure the Rear Panel

- ① **DC power connector** — If applicable, plug the external 12 VDC power supply into this 2-pole captive screw connector (see power wiring details above).
- ② **Input connector** — Connect the TP cable from the transmitter to this pigtail RJ-45 female connector (see the table above on the top right to wire the RJ-45 connectors).
- ③ **DIP switches** — Set the DIP switches to the desired preference (see [Set the DIP Switches](#) on the next page for more details).



MTP R 15HD RSA D • Setup Guide

Set the DIP Switches

H Sync and V Sync switches — Set these switches on (right) for positive sync or off (left) for negative sync.

Composite Sync, SOG, and Video switches — Set these switches as shown on the right to output the indicated format.

BI-RS232 — Set this switch on (right) to select bidirectional communications when serial data is present on the audio/RS-232 wire pair; off (left) to select unidirectional communications.

Output Signal Format from the Receiver	Receiver DIP Switch Settings		
	C Sync	SOG	Video
RGBHV	<input type="checkbox"/> ←	<input type="checkbox"/> ←	<input type="checkbox"/> ←
RGBS	<input type="checkbox"/> →	<input type="checkbox"/> ←	<input type="checkbox"/> ←
RGsB	<input type="checkbox"/> ←	<input type="checkbox"/> →	<input type="checkbox"/> ←
Component*	<input type="checkbox"/> ←	<input type="checkbox"/> ←	<input type="checkbox"/> →
S-video*	<input type="checkbox"/> ←	<input type="checkbox"/> ←	<input type="checkbox"/> →
Composite*	<input type="checkbox"/> ←	<input type="checkbox"/> ←	<input type="checkbox"/> →

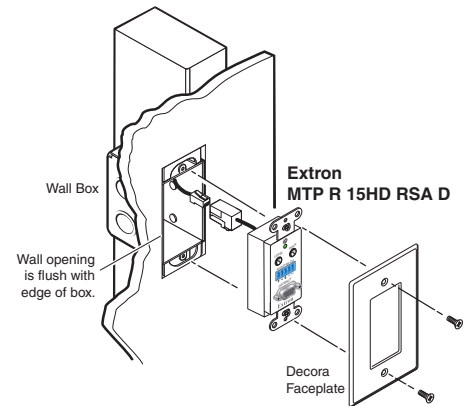
* Input video format must match

Mount the Receiver

Before mounting, test the transmitter/receiver system. Make any cabling adjustments before final installation, as the cables will be inaccessible afterwards.

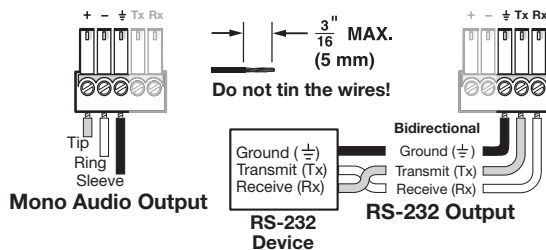
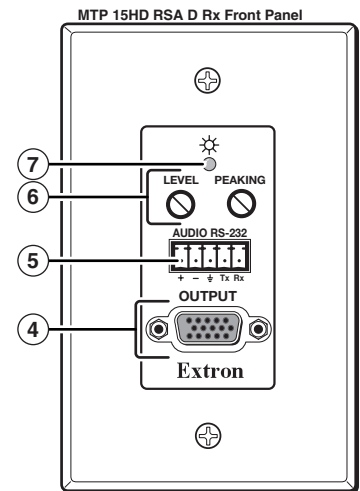
After testing, do the following:

1. At the power outlet, unplug the power supply.
2. Mount the receiver into the box, and attach the supplied Decora faceplate to the unit.
3. At the power outlet, reconnect the power supply.



Connect/Configure the Front Panel

- 4 **Output video connector** — Connect a projector or other high resolution video device to this 15-pin HD connector.
- 5 **Audio/RS-232 output connector** — Insert a 3.5 mm, 5-pole captive screw connector into this jack for mono audio, a RS-232 serial output, or both. See image below for wiring details.
- 6 **Level control** — Adjust this control while viewing the displayed image to provide the best picture quality.
Peaking control — Adjust this control to obtain the optimum picture sharpness.
- 7 **Power LED** — This LED indicates power is applied to the MTP.



Extron Headquarters +800.633.9876 Inside USA/Canada Only		Extron Europe +800.3987.6673 Inside Europe Only	Extron Asia +800.7339.8766 Inside Asia Only	Extron Japan +81.3.3511.7655 +81.3.3511.7656 FAX	Extron China +4000.EXTRON +4000.398766 Inside China Only	Extron Middle East +971.4.2991800 +971.4.2991880 FAX	Extron Korea +82.2.3444.1571 +82.2.3444.1575 FAX	Extron India 1800.3070.3777 Inside India Only
Extron USA - West +1.714.491.1500 +1.714.491.1517 FAX	Extron USA - East +1.919.850.1000 +1.919.850.1001	+31.33.453.4040 +31.33.453.4050 FAX	+65.6383.4400 +65.6383.4664 FAX		+86.21.3760.1568 +86.21.3760.1566 FAX			+91-80-3055.3777 +91 80 3055 3737 FAX

Free Manuals Download Website

<http://myh66.com>

<http://usermanuals.us>

<http://www.somanuals.com>

<http://www.4manuals.cc>

<http://www.manual-lib.com>

<http://www.404manual.com>

<http://www.luxmanual.com>

<http://aubethermostatmanual.com>

Golf course search by state

<http://golfingnear.com>

Email search by domain

<http://emailbydomain.com>

Auto manuals search

<http://auto.somanuals.com>

TV manuals search

<http://tv.somanuals.com>