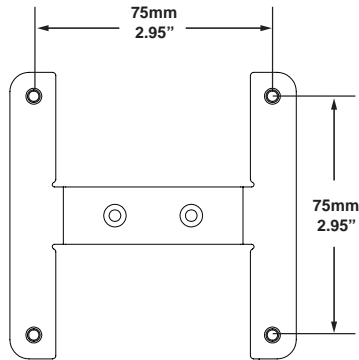


VM 700T Mounting Kit Installation Guide

Overview



The Extron® VM 700T is an adapter that provides a VESA-mounting option for the TLP 700TV TouchLink™ panel.

Four holes, one in each corner allow the adapter to fit any third-party VESA Type D 75 mm mounting kit.

This guide provides basic instructions for an experienced installer to mount and perform initial configuration on the TLP 700TV.

IMPORTANT:
Refer to www.extron.com for the complete TLP 700TV user manual and installation instructions before connecting the product to the power source.

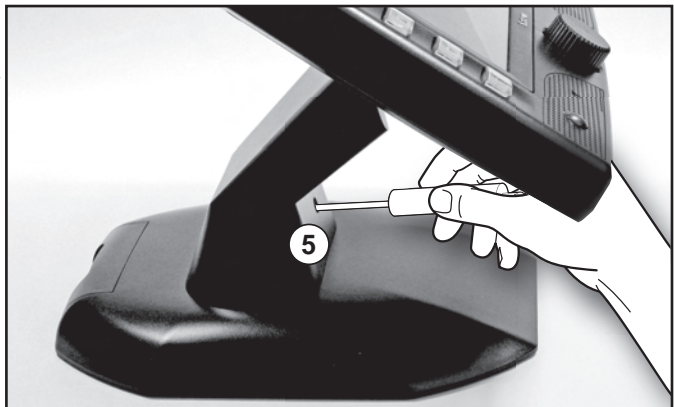
Using the VM 700T mounting kit

The TLP 700TV comes assembled with a stand that allows it to be placed on a desk-top. The stand can also be removed and replaced with the Extron VM 700T VESA mount adapter kit (part # 70-692-01). This kit fits into any third-party VESA Type D 75 mm wall mount system as follows:

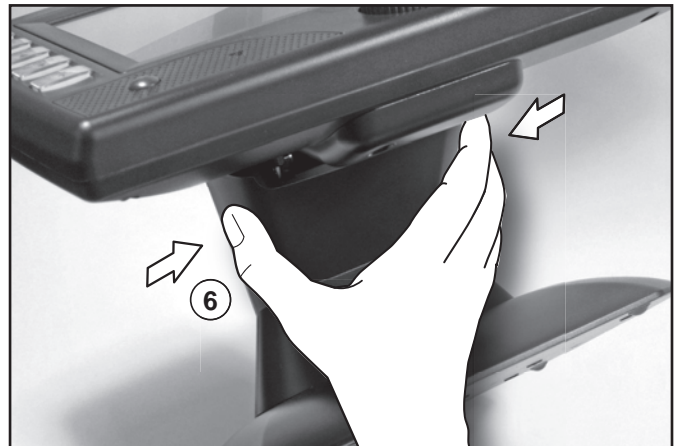
1. Determine the best location for wall-mounting the TLP 700TV.
2. Follow the manufacturer's instructions to attach the VESA mounting kit to the wall.

WARNING The third-party VESA mounting kit must be attached to a wall stud to support the weight of the mounting arm and the TLP 700TV unit.

3. Run the cables for power, LAN, and video (two BNC connectors) to the installation site.
4. Remove the TLP 700TV from its packaging or, if the TLP 700TV has previously been used as a free-standing, desk-top unit, remove all cables to the back of the base.
5. At the bottom, the two plastic cover plates for the stand are held together by a Phillips head screw near the base. Remove the screw in the recessed slot at the front of the stand, close to the base.



6. At the top, the two plastic plates covering the stand are held together by four locking tabs on the back cover plate fitting into four slots on the front cover plate. Squeeze the sides of the front plate at the top so that the tabs are no longer seated in the slots.

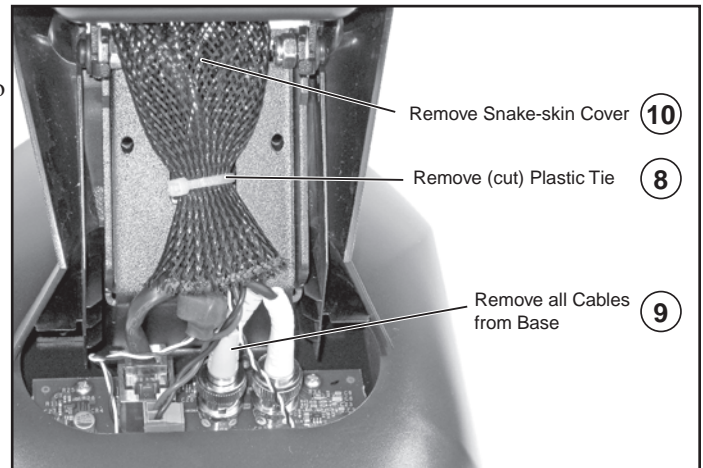


VM 700T Mounting Kit Installation Guide, Continued

7. Remove the back cover to reveal the metal stand and the cables connecting the circuit board in the base to the touch panel screen.

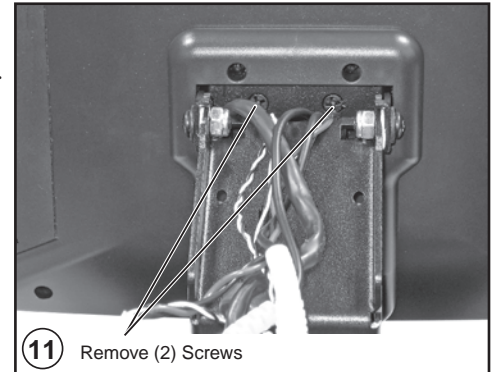


8. Cut the plastic tie holding the cables to the metal stand.
9. Disconnect the power, LAN, audio, LED, and two BNC cables from the circuit board in the base.
10. Remove the snake-skin cover protecting the cables.



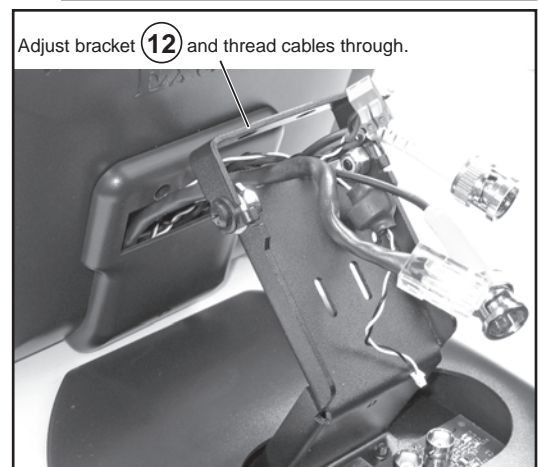
11. Tilt the screen down to reveal the Phillips head screws securing the screen to the hinged bracket at the top of the stand. Remove the screws and save them for use with the VM 700T VESA mounting kit.

NOTE Save the two screws for use with the VM 700T mounting kit.

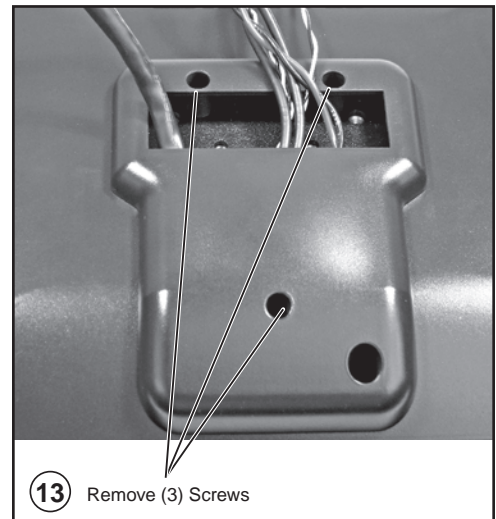


12. Thread the cables through the gap between the top bracket and the stand. Place the screen, face down, on a soft cloth.

TIP If it is difficult to fit the BNC connectors through the space between the top bracket and the stand, adjust the angle of the bracket to make the space as large as possible.



13. Remove and save the three Phillips head screws holding the plastic molding to the back of the screen.

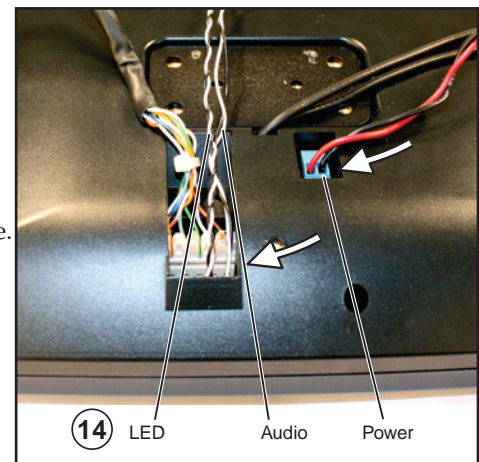


14. Disconnect the audio, LED, and power cables from the back panel of the screen.

- The audio cables are the black and white pair, wound around a ferrite core.
- The power cables are the red and black pair, terminated with a blue, 2-pole captive screw connector.
- The LED cables are the black and white pair, without a ferrite core.

NOTE None of the cables that are connected with a plastic tie should be disconnected.

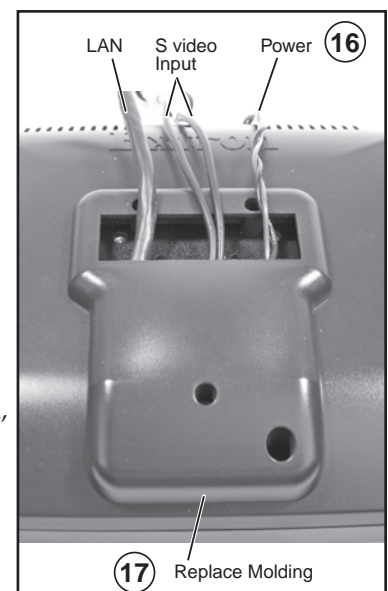
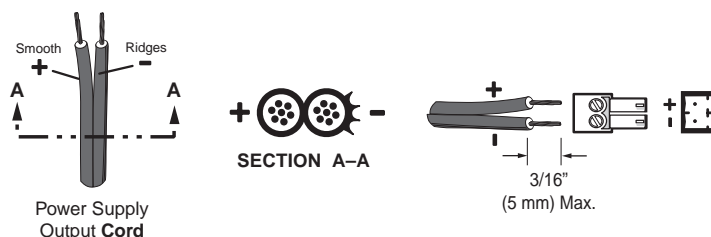
NOTE Save the blue power cable connector for later use.



15. Replace the orange 2-pole captive screw connector on the provided power supply with the blue connector from the power cable disconnected in step 14.

CAUTION The power supply provided with the TLP 700TV is intended for use with the power supply input in the base. In order to use the power supply with the rear panel power input the captive screw connector must be replaced.

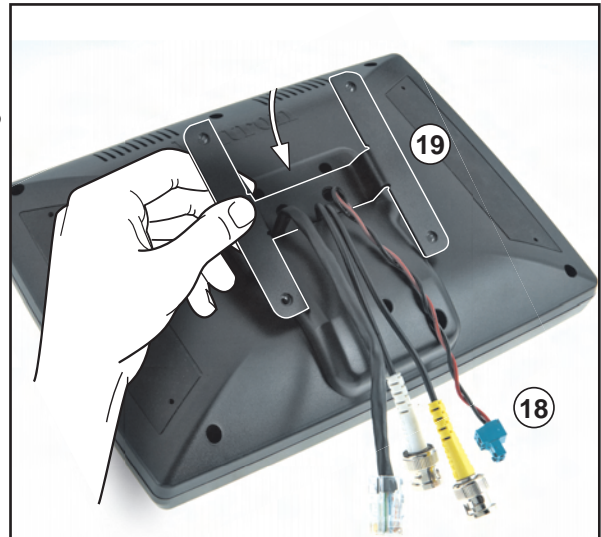
16. Thread the cable from the power supply through the slot in the plastic molding and connect it to the direct input captive screw input on the rear panel.



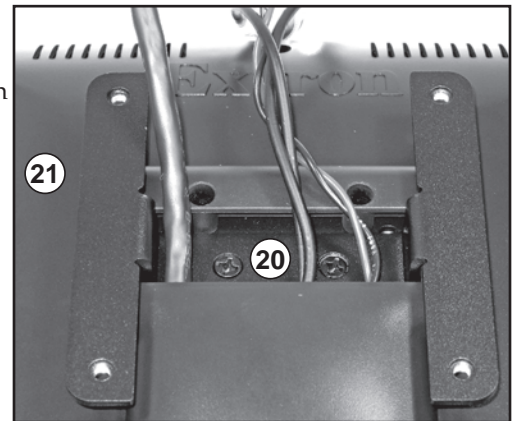
17. Thread the remaining cables from the rear panel (2 BNC and 1 LAN) through the slot in the plastic molding. Reattach the molding to the back of the screen, using the three screws saved from step 13.

VM 700T Mounting Kit Installation Guide, Continued

18. Hold the remaining cables towards the bottom of the recess in the plastic moulding.
19. Holding the VM 700T mounting plate at a slight angle, slide the center bar under the cables and into the recess, so that it sits firmly at the bottom of the recess.



20. Secure the bracket to the screen, using the two screws saved from step 11.
21. Attach the mounting plate to the bracket that was wall-mounted in step 2.



22. Plug in the rear panel cables, as required.

NOTE When the base is removed from the TLP 700TV, video connections are via BNC connectors, and there is no audio input.

Extron USA - West Headquarters +800.633.9876 <small>Inside USA / Canada Only</small> +1.714.491.1500 +1.714.491.1517 FAX	Extron USA - East +800.633.9876 <small>Inside USA / Canada Only</small> +1.919.863.1794 +1.919.863.1797 FAX	Extron Europe +800.3987.6673 <small>Inside Europe Only</small> +31.33.453.4040 +31.33.453.4050 FAX	Extron Asia +800.7339.8766 <small>Inside Asia Only</small> +65.6383.4400 +65.6383.4664 FAX	Extron Japan +81.3.3511.7655 +81.3.3511.7656 FAX	Extron China +400.883.1568 <small>Inside China Only</small> +86.21.3760.1568 +86.21.3760.1566 FAX	Extron Middle East +971.4.2991800 +971.4.2991880 FAX
--	--	---	---	---	--	---

© 2009 Extron Electronics. All rights reserved.

Free Manuals Download Website

<http://myh66.com>

<http://usermanuals.us>

<http://www.somanuals.com>

<http://www.4manuals.cc>

<http://www.manual-lib.com>

<http://www.404manual.com>

<http://www.luxmanual.com>

<http://aubethermostatmanual.com>

Golf course search by state

<http://golfingnear.com>

Email search by domain

<http://emailbydomain.com>

Auto manuals search

<http://auto.somanuals.com>

TV manuals search

<http://tv.somanuals.com>