

# IN1124/IN1128/IN1130 TP Wiring Guide

The design of Extron Enhanced Skew-Free™ A/V UTP (unshielded twisted pair) cable has changed. The new design makes the TIA/EIA T 568A wiring standard incompatible with the Extron IN1124, IN1128, and IN1130 TP transmitters and receivers.

Contrary to the instructions stated in the IN1124, IN1128, IN1130 manual (part # 68-754-01) and affixed to the side of spools of Enhanced Skew-Free A/V UTP cable, **do not** terminate the cable in accordance with the TIA/EIA T 568A wiring standard. Rather, terminate the Enhanced Skew-Free A/V UTP cable in accordance with the diagram on the reverse side of this card.

## NOTE

*The TIA/EIA T 568 A and TIA/EIA T 568 B wiring standards are acceptable for the IN1124, IN1128, and IN1130 when using Category (CAT) 5, 5e, or 6 cables **only**.*



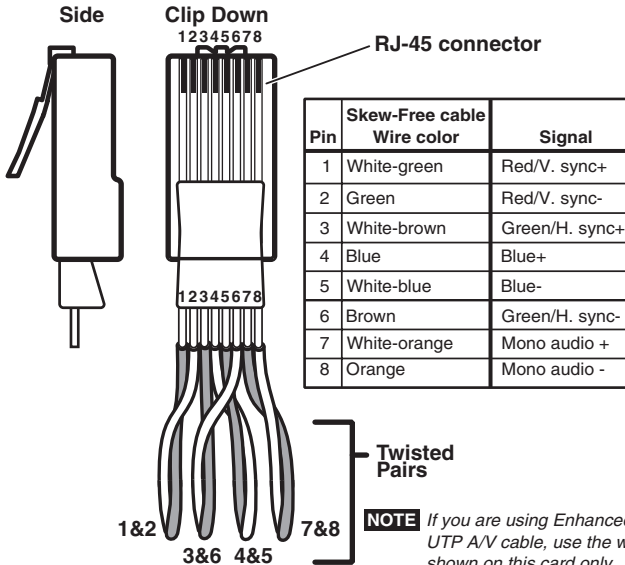
**Extron Electronics, USA**  
1230 South Lewis Street  
Anaheim, CA 92805  
USA  
714.491.1500  
Fax 714.491.1517

**Extron Electronics, Europe**  
Beeldschermweg 6C  
3821 AH Amersfoort  
The Netherlands  
+31.33.453.4040  
Fax +31.33.453.4050

**Extron Electronics, Asia**  
135 Joo Seng Road, #04-01  
PM Industrial Building  
Singapore 368363  
+65.6383.4400  
Fax +65.6383.4664

**Extron Electronics, Japan**  
Daisan DMJ Building 6F  
3-9-1 Kudan Minami  
Chiyoda-ku, Tokyo 102-0074 Japan  
+81.3.3511.7655  
Fax +81.3.3511.7656

68-754-02  
**Rev. A**  
05 04  
Printed in the USA



## Free Manuals Download Website

<http://myh66.com>

<http://usermanuals.us>

<http://www.somanuals.com>

<http://www.4manuals.cc>

<http://www.manual-lib.com>

<http://www.404manual.com>

<http://www.luxmanual.com>

<http://aubethermostatmanual.com>

Golf course search by state

<http://golfingnear.com>

Email search by domain

<http://emailbydomain.com>

Auto manuals search

<http://auto.somanuals.com>

TV manuals search

<http://tv.somanuals.com>