

13W3 Connector Pinout

Pin	IBM Power PC	IBM RISC	Silicon Graphics	Sun SPARC	Sun (older)	Dell/ Hitachi
A1	Red	Red	Red	Red	Red	Red
A2	Green	Green	Green	Green	Green	Green
A3	Blue	Blue	Blue	Blue	Blue	Blue
1	ID 2	ID 2	Mon 3	Serial read	N/C	DDC clock
2	ID 3	ID 3	Mon 0	V. sync	N/C	N/C
3	Self-test	Gnd	C. sync	Sense 0	Sense 2	Reserved
4	Dig. Gnd	N/C	H. sync	Gnd	Gnd	DDC Gnd
5	H. sync	H. sync	V. sync	C. sync	C. sync	C. Sync/H. Sync
6	ID 0	N/C	Mon 1	H. sync	N/C	DDC data
7	ID 1	ID 1	Mon 2	Serial write	N/C	V. sync
8	N/C	ID 0	Dig. Gnd	Sense 1	Sense 1	N/C
9	V. sync	V. sync	Dig. Gnd	Sense 2	Sense 0	Reserved
10	Dig. Gnd	Dig. Gnd	Dig. Gnd	Gnd	Gnd.	Serial Gnd

Part Numbers

This manual covers the following cables and adapters:

Extron Part	Part #
13W3M to VGAM cable, 6'	26-527-23
13W3M to VGAM cable, with audio, 6'	26-527-03
13W3M to VGAF adapter	26-492-03
13W3M to VGAF adapter, with hex nut	26-492-04
13W3F to VGAM adapter	26-487-03
13W3F to VGAM cable, 1'	26-480-03

This manual covers the following products, which include one or more of the cables or adapters listed above:

Extron Part	Part #
Adapter kits for VSC 500/ VSC 700 / VSC 900	70-116-03
13W3M-VGAM, 13W3F-VGAM cable kit	70-157-23
13W3M-VGAM, with audio, 13W3F-VGAM cable kit	70-157-03
RGB 190FS	60-486-65
RGB 190FV and cable kit	42-026-63
RGB 192S	60-486-04
RGB 203xi VTG and cable kit	42-055-03
RGB 160xi	42-056-03
RGB 192V and cable kit	42-054-03



Extron® Electronics

INTERFACING, SWITCHING AND DISTRIBUTION



User's Guide

13W3-to-VGA Cables and Adapters



Extron Electronics, USA
1230 South Lewis Street
Anaheim, CA 92805
800.633.9876 714.491.1500
FAX 714.491.1517

Extron Electronics, Europe
Beeldschermweg 6C
3821 AH Amersfoort, The Netherlands
+800.3987.6673 +31.33.453.4040
FAX +31.33.453.4050

Extron Electronics, Asia
135 Joo Seng Rd. #04-01
PM Industrial Bldg., Singapore 368363
+800.7339.8766 +65.6383.4400
FAX +65.6383.4664

Extron Electronics, Japan
Kyodo Building, 16 Ichibancho
Chiyoda-ku, Tokyo 102-0082
Japan
+81.3.3511.7655 FAX +81.3.3511.7656

Installation

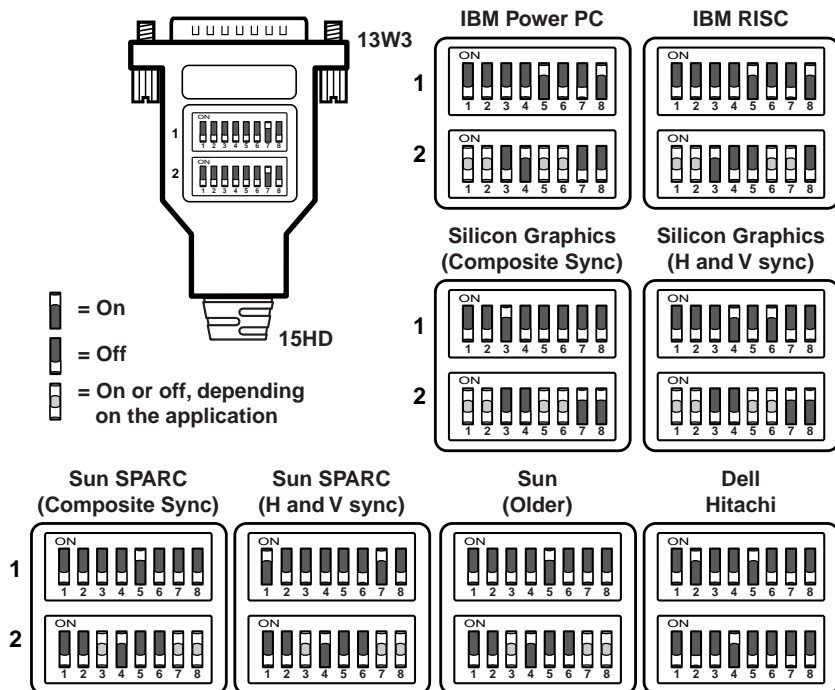
The 13W3-to-VGA adapter or adapter cable allows you to connect a computer that has a 13W3 video connector to a device with a 15-pin HD (VGA) connector.

Cabling the Computer

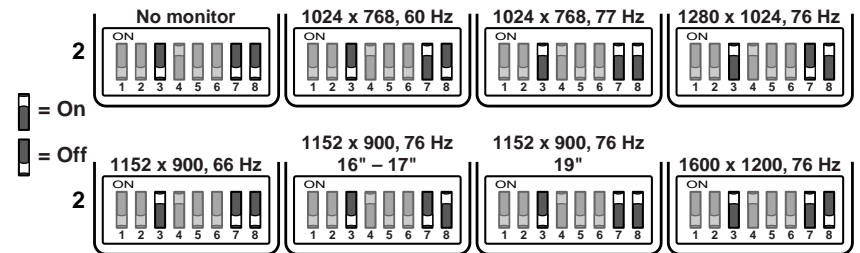
Connect a computer with a 13W3 connector to a device with a 15-pin HD connector as follows:

1. Turn off the input and output devices, and disconnect their power cables.
2. Set the switches on the adapter to match the computer type to which you need to connect. See "DIP Switch Settings" for the appropriate settings.
3. Attach the 13W3 end of the adapter to the 13W3 connector or cable.
4. Connect the VGA end of the adapter to the 15-pin HD connector or cable.
5. Restore power to the system.

DIP Switch Settings



Switch 2 Settings for Sun Screen Resolutions



Signal Routing

13W3 connector pin	DIP switch 1 pin (on)	VGA connector pin
A1	↔	1
A2	↔	2
A3	↔	3
2	1	14
7	2	14
3	3	13
4	4	13
5	5	13
5	6	14
6	7	13
9	8	14
13W3 connector pin	DIP switch 2 pin (on)	VGA connector pin
1	1	Gnd
2	2	Gnd
3	3	Gnd
4	4	Gnd
6	5	Gnd
7	6	Gnd
8	7	Gnd
9	8	Gnd
10	↔	Gnd

Free Manuals Download Website

<http://myh66.com>

<http://usermanuals.us>

<http://www.somanuals.com>

<http://www.4manuals.cc>

<http://www.manual-lib.com>

<http://www.404manual.com>

<http://www.luxmanual.com>

<http://aubethermostatmanual.com>

Golf course search by state

<http://golfingnear.com>

Email search by domain

<http://emailbydomain.com>

Auto manuals search

<http://auto.somanuals.com>

TV manuals search

<http://tv.somanuals.com>