

GMK 1 • Installation Guide

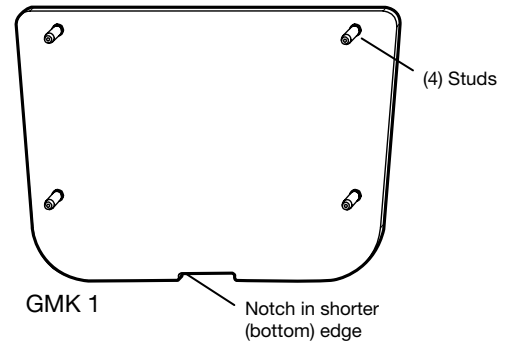
IMPORTANT:
Refer to www.extron.com for the complete
TLP Pro 320m and TLP Pro 520M user guide
and installation instructions before
connecting the product to the power source.

The Extron GMK 1 (see figure to the right) is an accessory for the SMB 1 kit and is used to mount the TLP Pro 320M or the TLP Pro 520M on a glass surface. This guide provides instructions for experienced, professional installers to mount and install either touchpanel using the GMK 1 and SMB 1 mounting kits.

The GMK 1 is a flat plate with a powerful adhesive on one surface that bonds strongly to a glass surface. The opposite surface has four studs (one in each corner) for securing the SMB 1.

ATTENTION: The installation shall be in accordance with the applicable provisions of National Electrical Code ANSI/NFPA 70, article 725 and the Canadian Electrical Code part 1, section 16.

NOTE: The diagrams in this guide show the TLP Pro 520M. The TLP Pro 320M is mounted in exactly the same way.



Securing the GMK 1 to a Glass Surface

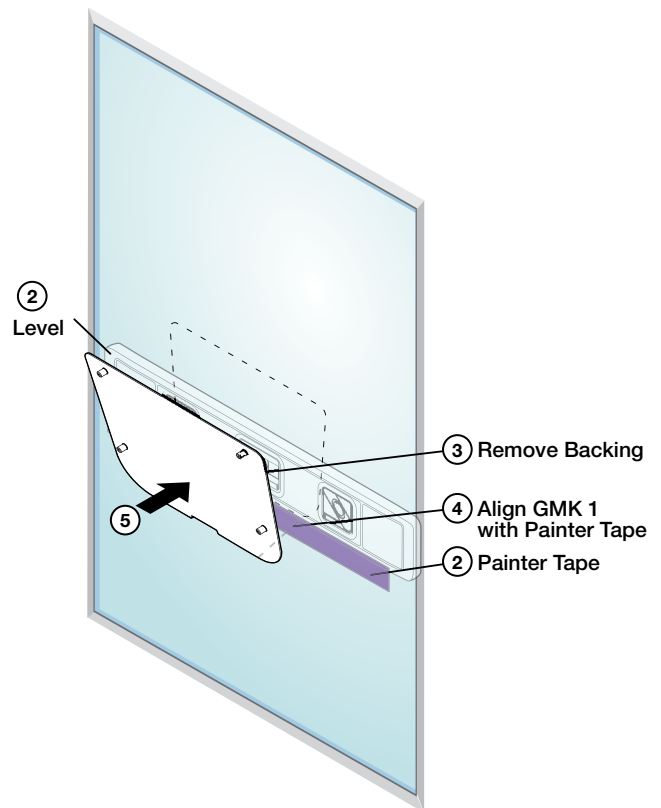
1. Decide where the touchpanel will be placed and clean the surface of the glass with a 50:50 mixture of isopropyl alcohol and water.
2. Use a level and apply painter tape to the glass to mark the position where the GMK 1 will be mounted.

ATTENTION: The lower edge of the GMK 1 is the shorter edge with the notch.

3. Remove the backing from the surface of the GMK 1 to expose the adhesive.
4. Carefully align the lower edge of the GMK 1 with the tape from step 2. Hold the GMK 1 at a slight angle so that the adhesive does not come in contact with the glass until you are ready to press it into place.

ATTENTION:

- Once the GMK 1 is attached to the glass, it is very difficult to remove. Align the GMK 1 exactly where you need it before pressing it into place.
- If you need to remove the plate, slide a thin wire or use a fine tooth saw or other sharp cutting tool between the plate and the glass. Once the plate has been removed from the glass, it should not be reattached.



5. Once aligned, angle the GMK 1 onto the glass and press firmly. If possible, allow the bond to set for 72 hours for maximum strength.

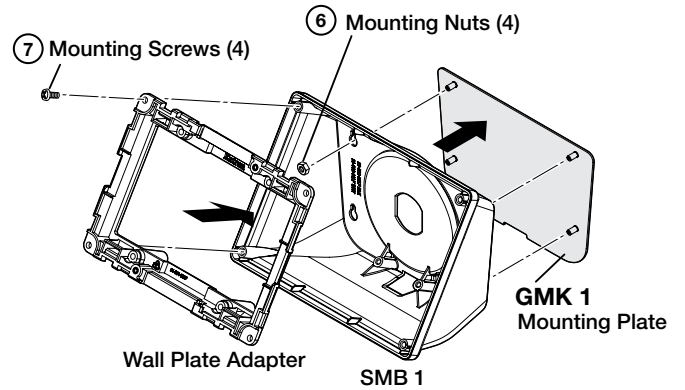
CAUTION: The maximum load for the GMK 1 must not exceed 5 lb (2.27 kg).

GMK-1 • Setup Guide (Continued)

Mounting the SMB 1 on the GMK 1

- Align the four holes on the back of the SMB 1 with the four studs on the GMK 1. Secure the SMB 1 to the GMK 1 using the four provided nuts. Do not overtighten the nuts.

ATTENTION: The SMB 1 must be mounted so that the touchpanel faces upwards and the cutout for the cable is at the bottom.

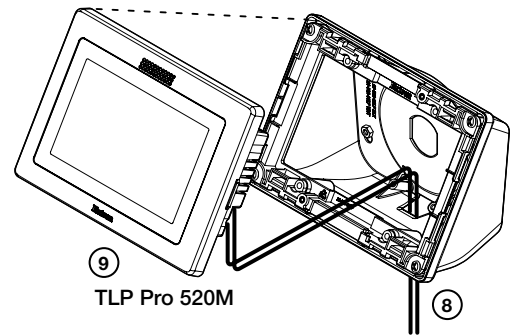


Installing the Touchpanel in the SMB 1

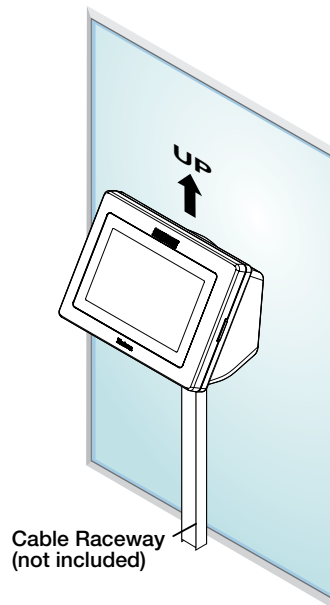
- Secure the wall plate adapter to the SMB 1, using the four provided screws.
- Run cables through the cable cutout and connect them to the back panel of the touchpanel (see the *TLP Pro 320M User Guide* or the *TLP Pro 520M User Guide* at www.extron.com).

If required, mount an adhesive raceway (not provided) to run the cable (see the figure below).

- Press the touchpanel onto the wall plate adapter. Four catches hold it in place.
- If the bezel has been removed, snap it back into place.



NOTE: The bezel for the touchpanels can be removed using the provided Extron removal tool.



Extron Headquarters +1.800.633.9876 (Inside USA/Canada Only) Extron USA - West Extron USA - East +1.714.491.1500 +1.919.850.1000 +1.714.491.1517 FAX +1.919.850.1001 FAX	Extron Europe +800.3987.6673 (Inside Europe Only) +31.33.453.4040 +31.33.453.4050 FAX	Extron Asia +65.6383.4400 +65.6383.4664 FAX	Extron Japan +81.3.3511.7655 +81.3.3511.7656 FAX	Extron China +86.21.3760.1568 +86.21.3760.1566 FAX	Extron Middle East +971.4.299.1800 +971.4.299.1880 FAX	Extron Korea +82.2.3444.1571 +82.2.3444.1575 FAX	Extron India 1800.3070.3777 Inside India Only +91.80.3055.3777 +91.80.3055.3737 FAX
--	--	--	---	---	---	---	--

Free Manuals Download Website

<http://myh66.com>

<http://usermanuals.us>

<http://www.somanuals.com>

<http://www.4manuals.cc>

<http://www.manual-lib.com>

<http://www.404manual.com>

<http://www.luxmanual.com>

<http://aubethermostatmanual.com>

Golf course search by state

<http://golfingnear.com>

Email search by domain

<http://emailbydomain.com>

Auto manuals search

<http://auto.somanuals.com>

TV manuals search

<http://tv.somanuals.com>