

**IMPORTANT:**  
Refer to [www.extron.com](http://www.extron.com) for the complete user guide and installation instructions before connecting the product to the power source.

## PowerCage™ FOX AEX 104 • Setup Guide

This guide provides instructions for an experienced installer to set up and operate the Extron PowerCage FOX AEX 104 fiber audio extractor. The PowerCage FOX AEX 104 is a double slot board for the PowerCage 1600 enclosure that provides up to 4 extraction points.

**NOTE:** The PowerCage FOX AEX 104 is compatible with all Extron FOX products except for FOX 3G HD-SDI transmitter and receiver products.

### Installation

#### Step 1 — Input Data Rate Selection

The DIP switch on the main board switches the PowerCage FOX AEX 104 between 2G and 4G input data rates. Using an Extron Tweaker or small screwdriver, move DIP switch 2 up (on position) for 2G input data rates or down (off position) for 4G input data rates. DIP switch 1 is a spare. The default rate is 4G (off or down).



**NOTE:** 4G and 2G data rates apply to all inputs. These selectable rates are not for individual inputs.

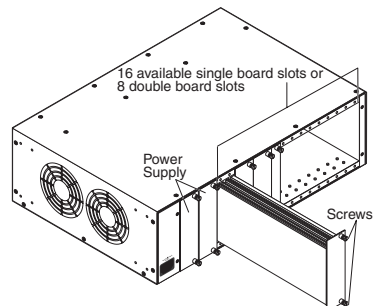
**CAUTION:** Ensure all fiber extenders are compatible with the desired data rate.

#### Step 2 — Board Installation

**NOTE:** The PowerCage FOX AEX 104 is hot-swappable; they can be installed or removed without turning off or disconnecting the power to the PowerCage enclosure.

**CAUTION:** Use ESD precautions when installing a board to avoid damaging it. Keep the board in the anti-static bag until it is needed. Use proper grounding techniques during installation.

- If applicable, remove as many blank plates or previously installed boards from the rear of the PowerCage enclosure as necessary to fit the PowerCage FOX AEX 104.
- With the connectors facing away from the PowerCage enclosure, align the PowerCage FOX AEX 104 vertically with the top and bottom slide posts in the selected enclosure slot.
- Carefully slide the board into the slot and push it firmly into place.
- Tighten the screws to secure the board to the enclosure.



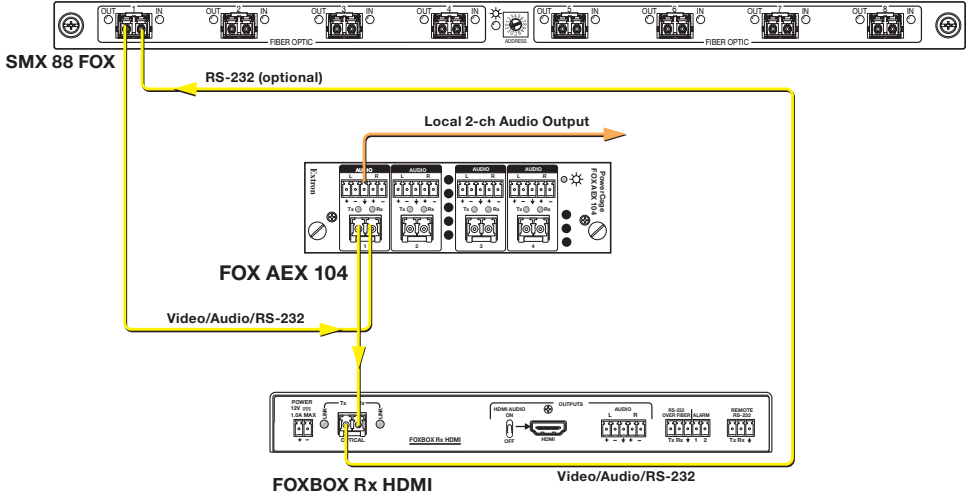
**NOTE:** Use a tool to fully tighten the screws after initial installation and subsequent removal and replacement of the boards.

Download from [www.Somanuals.com](http://www.Somanuals.com). All Manuals Search And Download.

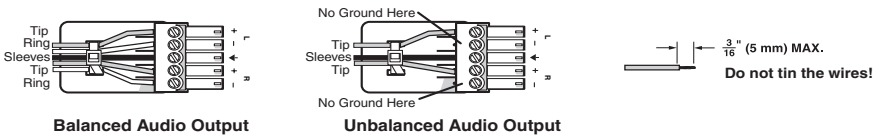
# PowerCage™ FOX AEX 104 • Setup Guide (Continued)

## Step 3 — Input and Output Connections

**NOTE:** Transmission of HDMI video with HDCP content requires two fibers.



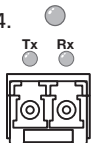
- Connect the fiber output (OUT) of the matrix to the Rx port of an extraction point on the PowerCage FOX AEX 104.
- Connect the Tx port of the same extraction point to the FOX receiver (Rx).
- Connect the Tx port of the FOX receiver to the Rx port of the matrix for optional bidirectional RS-232 communication.
- Insert a 3.5 mm, 5-pole captive screw audio connector into the audio connector of the extraction point on the PowerCage FOX AEX 104.



## Indication

**Power LED** — Lights green when power is applied to the PowerCage FOX AEX 104.

**Tx Link and Rx Link LEDs** — The optical Rx LED will light when the Rx box receives light. The optical Tx LED will light at the same time as the Rx LED.



<b>Extron Headquarters</b> +800.633.9876 Inside USA/Canada Only		<b>Extron Europe</b> +800.3987.6673 Inside Europe Only	<b>Extron Asia</b> +800.7339.8766 Inside Asia Only	<b>Extron Japan</b> +81.3.3511.7655 FAX +81.3.3511.7656	<b>Extron China</b> +4000.EXTRON +4000.398766 Inside China Only	<b>Extron India</b> 1800.3070.3777 Inside India Only
<b>Extron USA - West</b> +1.714.491.1500 FAX: +1.714.491.1517	<b>Extron USA - East</b> +1.919.850.1000	+31.33.453.4040 FAX: +31.33.453.4050	+65.6383.4400 FAX: +65.6383.4664	<b>Extron Middle East</b> +971.4.2991800 FAX: +971.4.2991880	+86.21.3760.1568 FAX: +86.21.3760.1566	+91.80.3055.3777 +91.80.3055.3737 FAX
						<b>Extron Korea</b> +82.2.3444.1571 +82.2.3444.1575 FAX

## Free Manuals Download Website

<http://myh66.com>

<http://usermanuals.us>

<http://www.somanuals.com>

<http://www.4manuals.cc>

<http://www.manual-lib.com>

<http://www.404manual.com>

<http://www.luxmanual.com>

<http://aubethermostatmanual.com>

Golf course search by state

<http://golfingnear.com>

Email search by domain

<http://emailbydomain.com>

Auto manuals search

<http://auto.somanuals.com>

TV manuals search

<http://tv.somanuals.com>